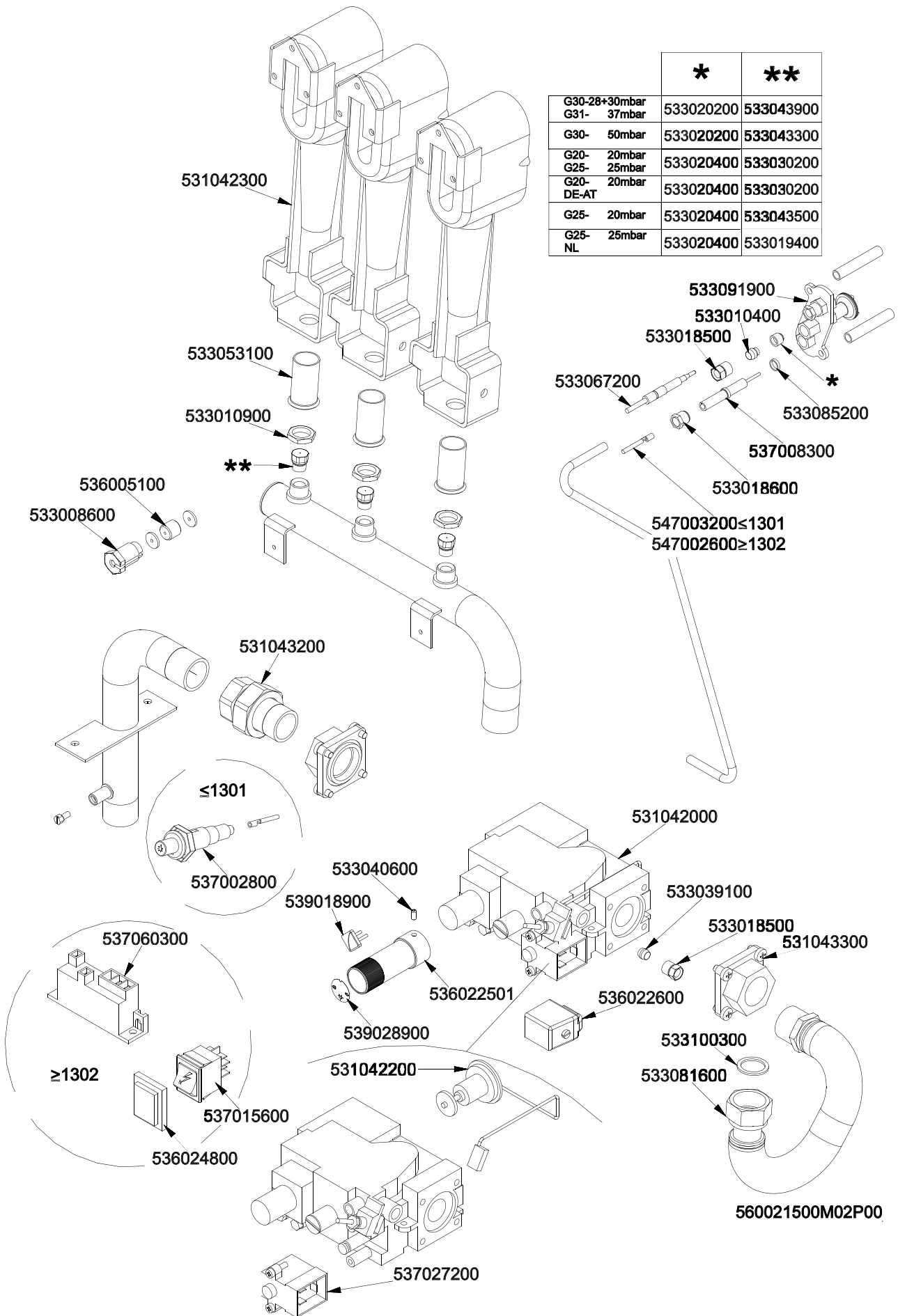
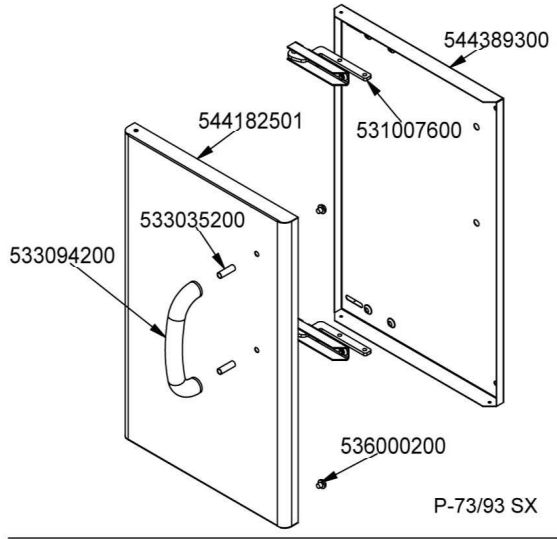
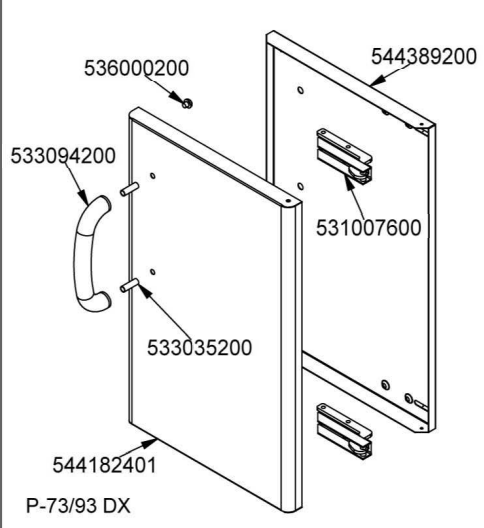


	*	**
G30-28+30mbar G31- 37mbar	533020200	533043900
G30- 50mbar	533020200	533043300
G20- 20mbar G25- 25mbar	533020400	533030200
G20- 20mbar DE-AT	533020400	533030200
G25- 20mbar	533020400	533043500
G25- 25mbar NL	533020400	533019400

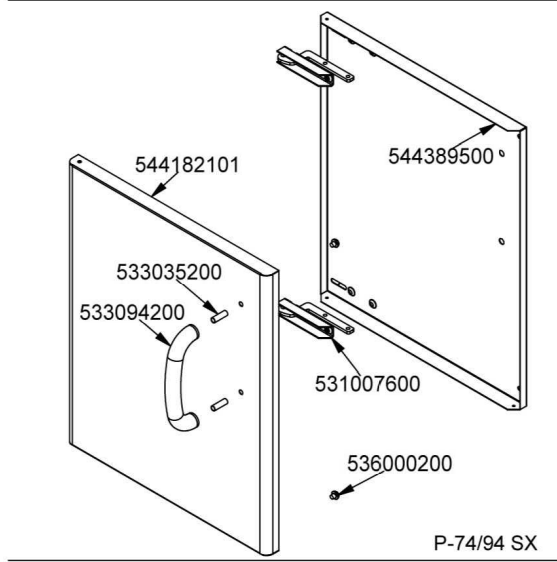




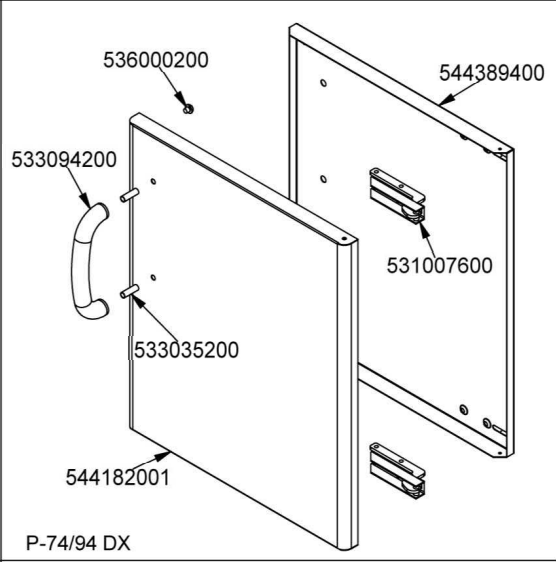
P-73/93 SX



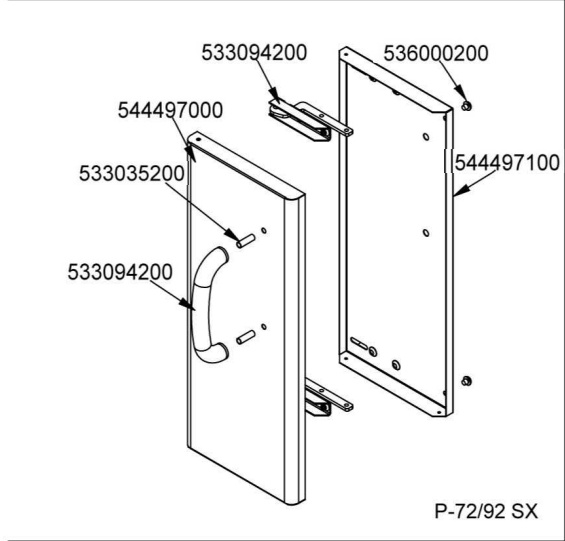
P-73/93 DX



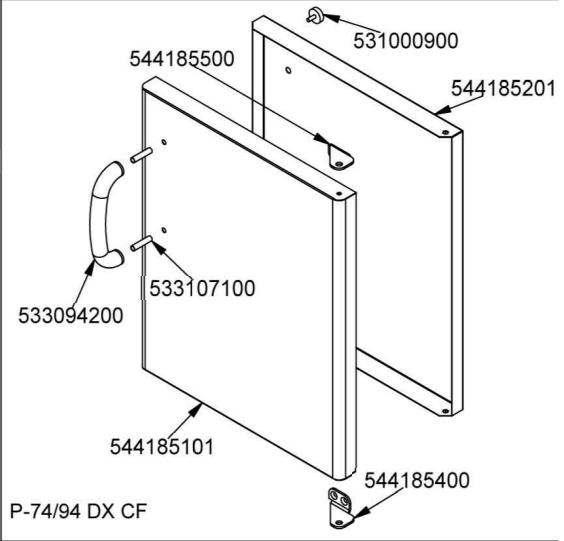
P-74/94 SX



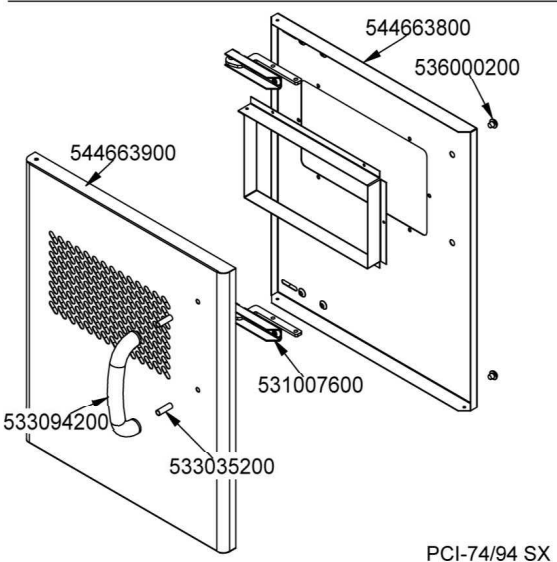
P-74/94 DX



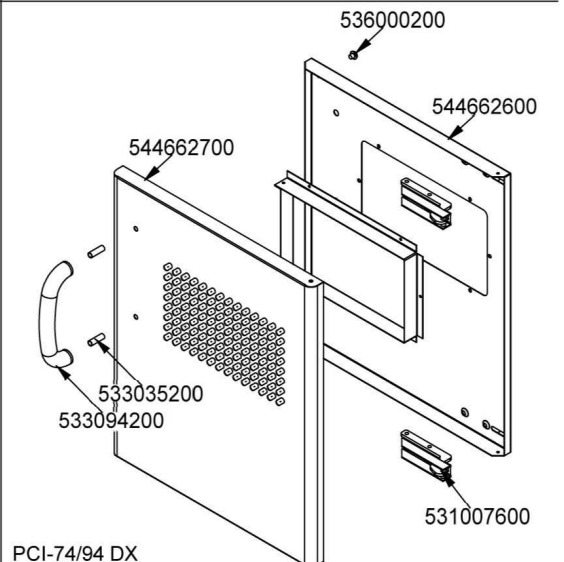
P-72/92 SX



P-74/94 DX CF



PCI-74/94 SX



PCI-74/94 DX

Page	Pos	Code	Description
001		544421500	LID FOR FRYER 90 LINE
001		533094200	S/S HANDLE FOR 70/90 SERIES
001		531040400	TANK FILTER/BASKET SUPPORT F18-94G
001		531040600	TANK FILTER/BASKET SUPPORT F25-94G
001		541118800	UPPER PLATE F2/18-98G
001		539062300	RED STICKING DISK 72 (110,190°
001		539054200	STAMP Ø20,5 CR."L" LOTUS R.
001		536034400	KNOB §77 4P. §06*4,6 C/M
001		537000400	COMMUTATOR 1POS.SINGLEPHASE S49 16A
001		539018900	INDEX FOR KNOB W/RED SIGN
001		537001200	FIXING BRACKET FOR THERMOSTAT/COMM.
001		537037700	THERMOSTAT MONOPHASE 104-192°C
001		537014200	GREEN WARNING LIGHT 250V
001		537014100	WHITE WARNING LIGHT 250V
001		541107500	CONTROL PANEL F13/18-74E
001		541107600	CONTROL PANEL F2/13/18-78E
001		533044401	M8 THREADED CAP FOR SEC.THERMOSTAT
001		537035600	OVEN COMMUTATOR * EL. 60+65LINES
001		536005200	INOX LEG 2" 120-180 M10
001		544407300	RIGHT SIDE PANEL 90 LINE
001		533038200	1" G M-F ELBOW FITTING
001		533090000	
001		536023100	O-RING GASKET 31,34X3,53 VITON
001		531018600	BALL VALVE 1"G M-F CPM-62G
001		544407400	LEFT SIDE PANEL 70 LINE
002		533020200	PILOT JETS 0160 FOR LPG §30
002		533020400	NOZZLE 0160 (NATURAL GAS) 51
002		533043900	NOZZLE §115 CH12*14 F-CW4
002		533043300	NOZZLE §103 CH12*14 F-PC4 UR
002		533030200	NOZZLE §170 CH12*14 MH-FG L-FP/CW
002		533043500	NOZZLE §190 CH12*14 G25 PC4R
002		533019400	NOZZLE §180 CH12*14 L-FQ5
002		533091900	PILOT NOZZLE S.0160 3F + TC FITTING
002		533010400	BICONE D.6
002		533018500	FITTING FOR BICONE D.6 M10*1
002		533067200	THERMOCOUPLE 220+500 M9*1 CUT-OFF
002		533085200	SPACER FOR PILOT PLUG
002		537008300	ROUND PLUG §2,4- LONG ELECTRODE
002		533018600	PLUG FITTING
002		547003200	HIGH-VOLTAGE CABLE TUBE.§2 L=500
002		547002600	HIGH-VOLTAGE CABLE L=500
002		531042300	FRYER BURNER 90.LINE
002		533053100	AIR ADJUSTMENT BUSHING §20
002		533010900	NUT M14*1 H.4
002		536005100	GRAPHITE §07,4 GASKET
002		533008600	STUFFING BOX M9*1
002		531043200	FEMALE/MALE FITTING 3PCS.3/4G
002		537002800	PIEZOELECTRIC IGNITION M18 WITH NUT
002		533040600	HEADLESS SCREW M4*8
002		539018900	INDEX FOR KNOB W/RED SIGN
002		531042000	NOVA VALVE 820

Page	Pos	Code	Description
002		533039100	BICONE §6
002		531043300	3/4 STRAIGHT FITTING W/SCREWS+ORING
002		536022600	BOBINE LID FOR 820 NOVA VALVE
002		533100300	GASKET §23,8X§18,4X1,5
002		533081600	EXTENSIBLE STAINL.TUBEL.200-400 3/4
002		536022501	HANDLE EXTENSION FOR 820NOVA VALVE
002		539028900	ADESIVE DISK FOR EXTENSION HANDLE
002		531042200	MAGNET FOR VALVE 820 NOVA/MILLIVOLT
002		537027200	BOBINE FOR 820 NOVA VALVE
002		537060300	IGNITION CONTROL BOX 2F. V30
002		537015600	BIPOLAR SWITCH
002		536024800	HOOD WITH SWITCH FRAME
003		544389300	CONTROP.73 SX APP. LT
003		531007600	DOOR HINGE
003		544182501	LEFT DOOR 73
003		533094200	S/S HANDLE FOR 70/90 SERIES
003		533035200	HANDLE SPACER
003		536000200	D.12 H.4 BUMPER
003		544389200	CONTROP.73 DX APP. LT
003		544182401	RIGHT DOOR 73
003		544182101	LEFT DOOR 74
003		544389500	INNER-DOOR OF LHD 74
003		544389400	CONTROP.74 DX APP. LT
003		544182001	RIGHT DOOR 74
003		544497000	PORTA 72 SX
003		544497100	CONTROP.72 SX APP. LT
003		544185101	RIGHT DOOR 74 CF
003		533107100	HANDLE SPACER OF CF-70
003		544185500	UPPER DOOR HINGE FOR COMPARTME CF70
003		531000900	MAGNET §22 KG.3 WITH DISK
003		544185201	INNER DOOR * 74DX
003		544185400	LOWER DOOR HINGE FOR COMPARTME CF70
003		544663900	LHD 74 DOOR FOR PCI
003		544663800	74 LHD OVEN INNER DOOR FOUR PCI
003		544662700	DOOR 74 DX PCI
003		544662600	CONTROP.74 DX APP. LT PCI