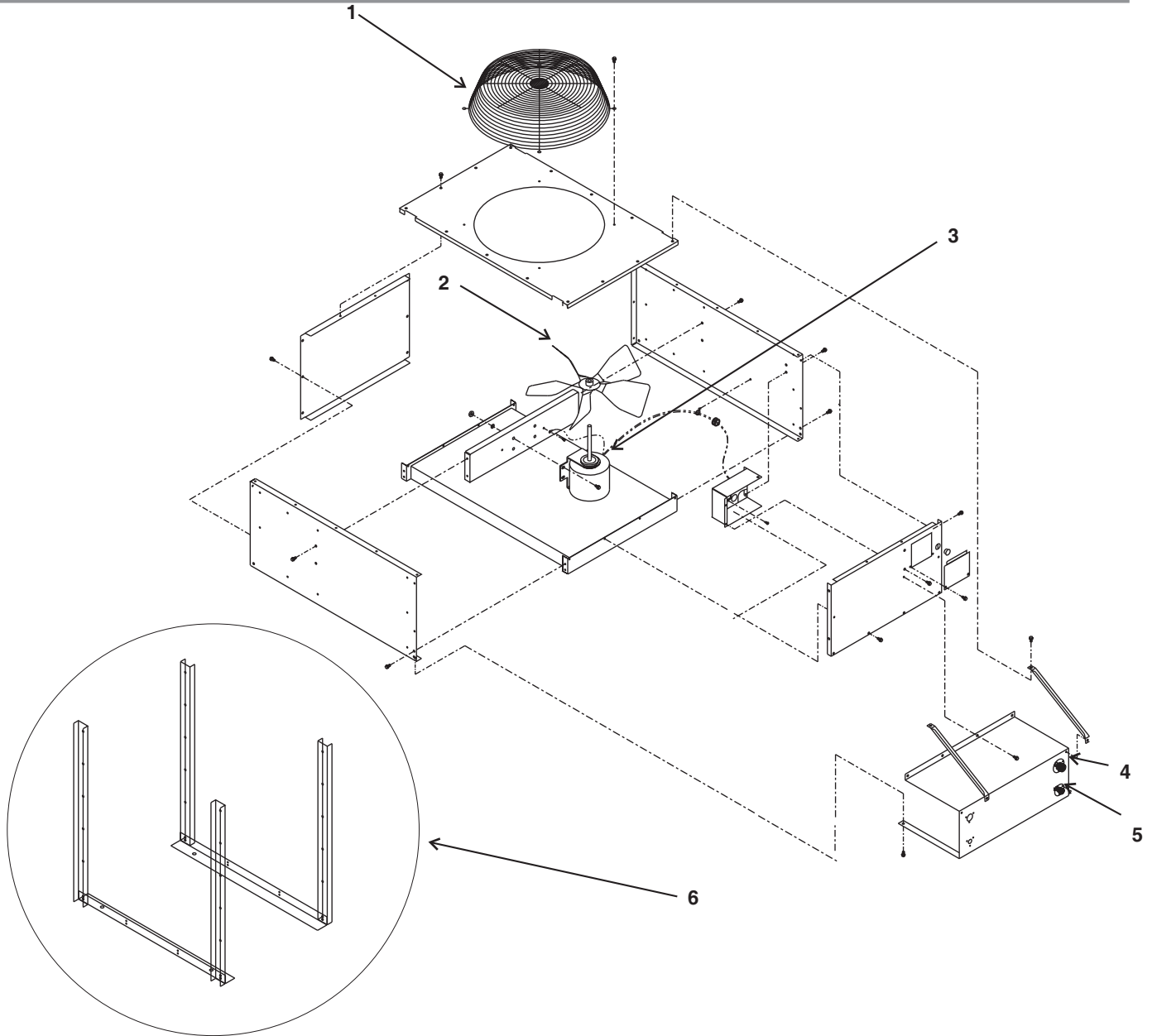


# Bins, Condensers, and Accessories

## Service Parts

### ERC Horizontal Coil Condenser



ITEM NUMBER	PART NUMBER	DESCRIPTION
1	02-3575-01	Fan guard
2	18-8800-01	Fan blade
3	18-8796-01	Fan motor ERC101
	18-8796-32	Fan motor ERC151, ERC201, ERC302, ERC401, ERC402
	18-8797-32	Fan motor ERC301
4	16-0850-01	Quick connect, discharge
5	16-0850-03	Quick connect, liquid
6	A36990-001	Leg kit for ERC101, 151, 201, 301, 302
	not available	Leg kit for ERC401, 402