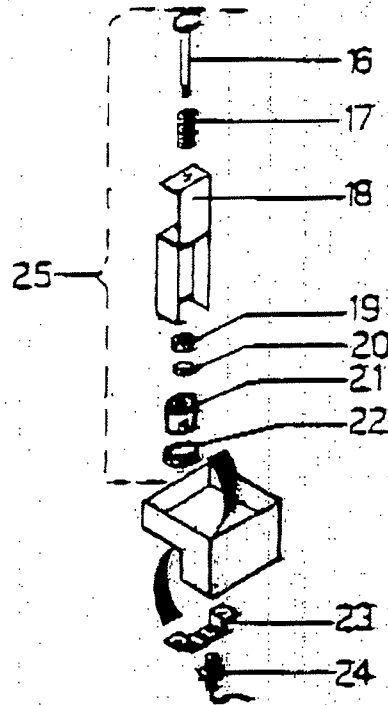
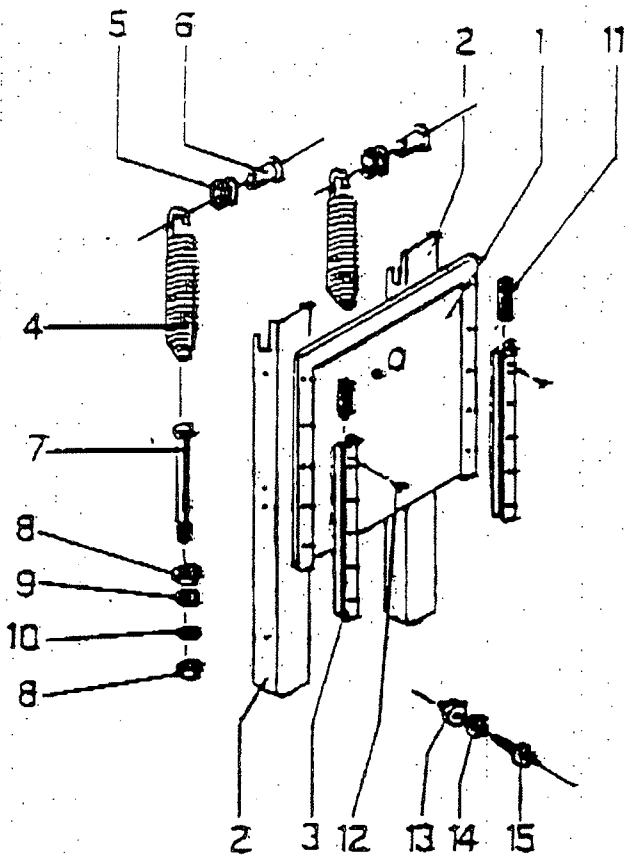


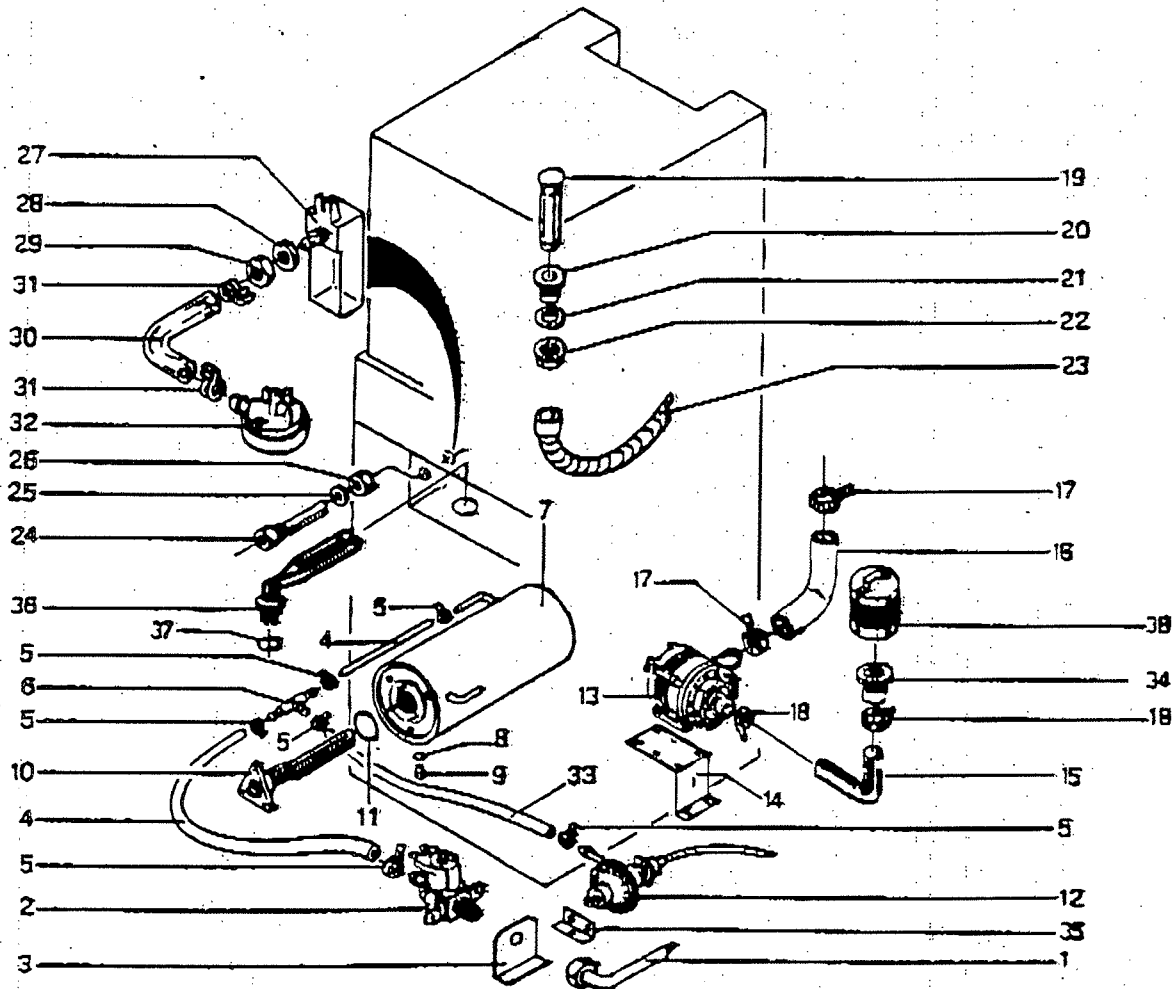
CODICE	DESCRIZIONE	DENOMINATION	DESCRIPTION	BEZEICHNUNG
1	900908	CAPOTE	HOOD	GEHAUSE
2	901860	VASCA	TANK	TANK
3	900300	BASAMENTO	BASE	UNTERSTRUKTUR
4	TRO299	PIEDINO REGOLABILE	RUBBER LEG	EINSTELLBARER SOCKEL
5	904519	PANNELLO COMANDI	CONTROL PANEL	SCHALTTAPEL
6	904668	PANNELLO LATERALE DX	RIGHT PANEL	RECHTE VERKLEIDUNG
7	904667	PANNELLO LATERALE SX	LEFT PANEL	LINKE VERKLEIDUNG
8	800907	COPERTURA CAPOT	CAPOT COVER	GEHAUSE DECKEL
9	904711	PANNELLO SUPERIORE	UPPER SIDE PANEL	OBER VERKLEIDUNG
10	907786	VITE TCBL M8 X 11	SCREW	SCRAUBE
11	908082	SCHIENALE	BACK FRAMEWORK	GEFUGE
12	904662	PANNELLO POST.SUPERIORE	UPPER BACK PANEL	HINTERE VERKLEIDUNG
13	904663	PANNELLO POST.INFERIORE	LOWER BACK PANEL	HINTERE VERKLEIDUNG
14	903900	MANIGLIONE	HANDLE	HANDRIFF
15	906406	TELAIO PORTACESTELLI	TRACK	FUHRUNG
16	901671	GUIDA PER CESTELLI	BASKET GUIDE	KORBFUHRUNG
17	902632	FILTRO SUPERFICIE	FILTER	FILTER
18	904771	PERNO SNODO	JOINT PIN	GELENKBOLZEN
19	900614	BUSSOLA PER SNODO	BEARING	BUCHSE
20	906090	RONDELLA PIANA Ø 8 X 24	WASHER	UNTERLEGSCHIEBE
21	905940	RONDELLA CROWER D.8	WASHER	UNTERLEGSCHIEBE
22	907820	VITE M8 X 12	SCREW	SCRAUBE
23	904930	PIASTRINA	PLATE	PLATTE



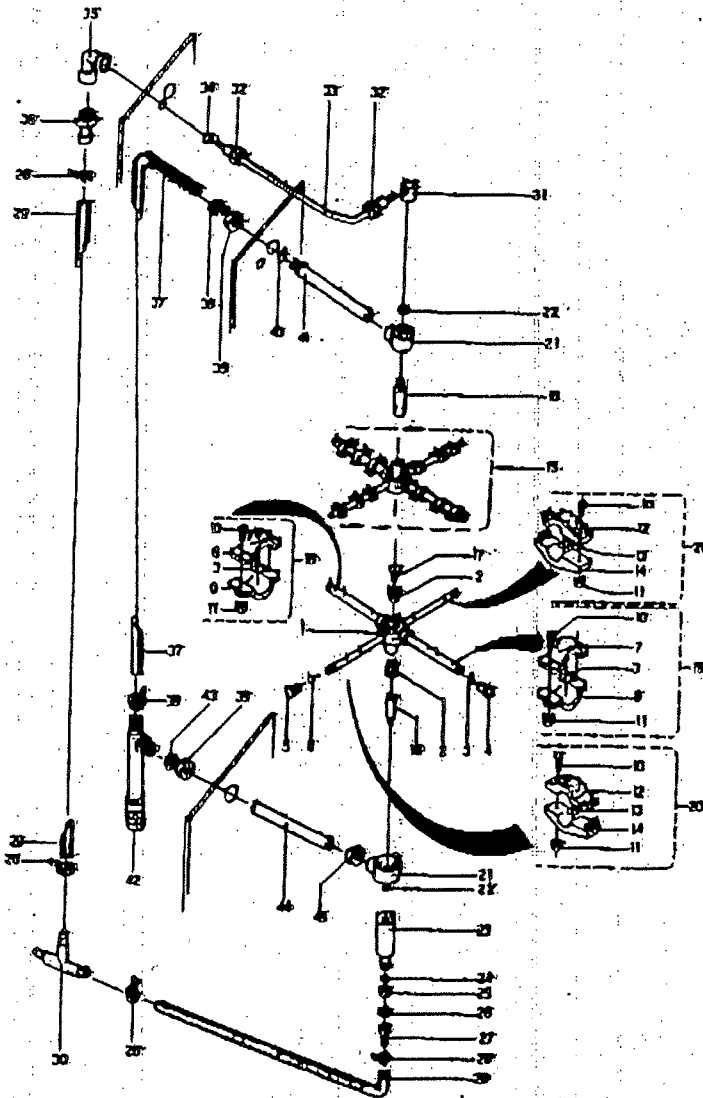
1	908081	SCHEMATE	STRUCTURE POSTERIEUR
2	908118	LONGHERONE DE	LONGHERON
2	908119	LONGHERONE SX	LONGHERON
3	901685	GUIDA SCORRIMENTO	GUIDE D'ECOULEMENT
	904133	MOLLA TRAZIONE	RESSORT
	906058	ROTELLA MOLLA	GALET PIVOTANT
5	904798	PERNO ACCANCI	PIVOT D'ACCROCHAGE
7	907222	TIRANTE MOLLA	TIRANT
8	907022	DADO M10	ECROU
9	906055	RONDELLA PIANA D.10	RONDELLE
10	905941	RONDELLA GROMER D.10	RONDELLE
11	904134	MOLLA	RESSORT
12	907670	VITE AUTOFILETTANTE	VIS
13	902070	DADO AUTOBLOCCANTE M5	ECROU
14	906010	RONDELLA PIANA D.5	RONDELLE
15	907854	VITE TPS M5 X 30	VIS
16	900108	ASTINA MICRO	TIGE
17	904077	MOLLA	RESSORT
18	900075	CAVALLOTTO FISS.GUIDA	ETRIER DE BLOCAGE GUIDE
19	902010	DADO M5	ECROU
20	905930	RONDELLA GROMER D.8	RONDELLE
21	901986	CUSTODIA PER MAGNETE	PROTECTION MAGNETO
22	903650	MAGNETE	MAGNETO
23	904369	SUPPORTO REED	SUPPORT REED
24	900309	REED MAGNETICO	REED
25	904022	MICRO SICUREZZA	MICRO INTERRUPTEUR

BACK FRAMEWORK
BACKSTAY
BACKSTAY
SLIDING RAIL
SPRING
SMALL WHEEL
HOOKING PIN
CONNECTING ROD
NUT
WASHER
WASHER
SPRING
SCREW
NUT
WASHER
SCREW
TIGE
SPRING
BLOCKING CLAMP RAIL
NUT
WASHER
COVER MAGNET
MAGNET
REED SUPPORT
REED
MICRO SWITCH

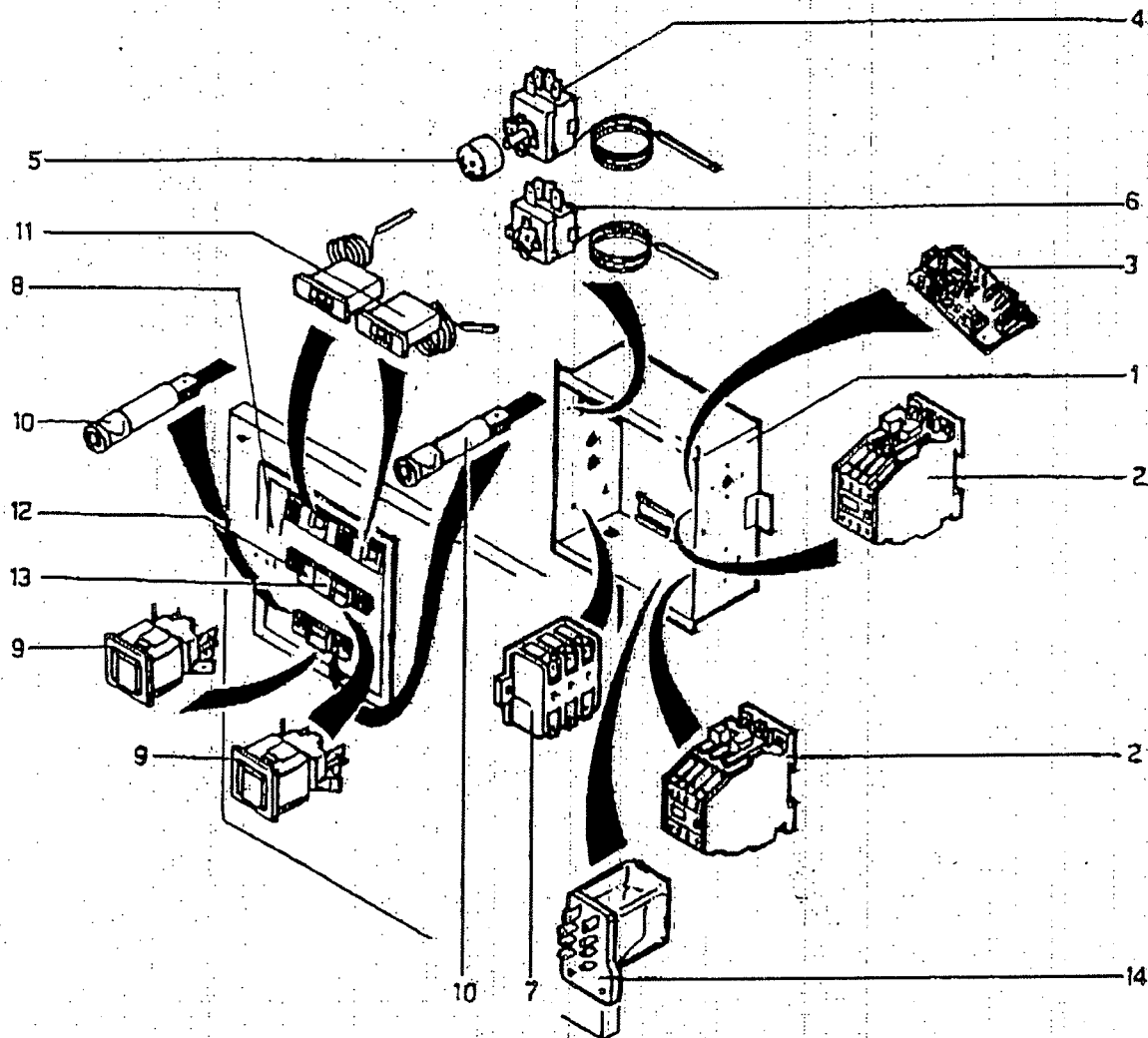
GEFUGE
LANESTRAGER
LANESTRAGER
FUHRUNG
FEDER
RADCHEN
KUPPLUNGSBOLZEN
ZUGSTAB
MUTTER
UNTERLEGSCHIEBE
UNTERLEGSCHIEBE
FEDER
SCHRAUBE
MUTTER
UNTERLEGSCHIEBE
FEDER
STANGE
FEDER
BEFESTIGUNGSWINKEL FUHRUNG
MUTTER
UNTERLEGSCHIEBE
MAGNETSCHUTZ
MAGNET
REED GALTERUNG
REED
MICROSCHALTER



POS.	CODICE	DESCRIZIONE	DEMININATION	DESCRIPTION	BEZEICHNUNG
1	907345	TUBO CARICO ACQUA	TUBE D'ENTREE DE L'EAU	INLET TUBE	WASSERZUFUHRROHR
2	902390	ELETTROVALVOLA	SOUPAPE ELECTRIQUE	ELECTRIC VALVE	ELEKTROVENTIL
3	906365	SUPPORTO ELETTROVALVOLA	SUPPORT SOUPAPE ELECTRIQUE	ELECTRIC VALVE SUPPORT	ELEKTROVENTIL TRAGER
4	907350	TUBO GOMMA Ø 12 X 22	TUYAU EN CAOUTCHOUC	RUBBER PIPE	GUMMISCHLAUCH
5	902440	FASCETTA 12 X 20	COLLIER	CLAMP	SCHIELLE
6	905381	RACCORDO A 'T' DOSATORE	RACCORD DOSEUR	PIPE FITTING FOR DOSING	ANSCHLUSSE
7	900353	BOILER	CHAUFFE EAU	BOILER	HEISSWASSERSPEICHER
8	904430	O-RING	O-RING	O-RING	O-RING
9	07820	VITE M8 X 12	VIS	SCREW	SCHRAUBE
10	905570	RESISTENZA 6000 W	RESISTANCE	HEATING ELEMENT	HEIZKORPER
11	TR0190	GUARNIZIONE RESISTENZA	JOINT RESISTANCE	HEATING GASKET	HEIZKORPER LUFTFALLE
12	902227	DOSATORE	DOSEUR	DOSING DEVICE	DOSIERSATZ
13	902300	POMPA HP 1.2	POMPE	PUMP	PUMPE
14	906341	SUPPORTO POMPA	SUPPORT POMPE	PUMP SUPPORT	PUMPE AUFNAHME
15	903701	TUBO ASPIRAZIONE	TUYAU ASPIRATION	SUCTION HOSE	DRUCK STUTZE
16	903680	TUBO MANDATA	TUYAU ALIMENTATION	LOADING RUBBER PIPE	GUMMIAUSGUSROHRE
17	902491	FASCETTA 60/60	COLLIER	CLAMP	SCHIELLE
18	902491	FASCETTA 60/80	COLLIER	CLAMP	SCHIELLE
19	907376	TROPPOPIERO	NIVEAU	OVER FLOW	VEDERLAUF
20	905450	RACCORDO SCARICO	RACCORD DE DECHARGE	PIPE FITTING FOR OUTLET	ABLAUFANSCHLUSS
21	904390	O-RING	O-RING	O-RING	O-RING
22	902080	GHIERA 1/4 GAS	VIROLE	LOCK NUT	NUT-MUTTER
23	907450	TUBO SCARICO	TUYAU DE DECHARGE	OUTLET TUBE	ABLAUFLAUCH
24	TR0298	PORTABULBO	SIEGE DE BULBE	SEATING BULB	KUGEL SITZ
25	907250	GUARNIZIONE 1/2" GAS	JOINT	GASKET	DICHTUNG
26	902061	GHIERA 1/2" GAS	VIROLE	LOCK NUT	NUT-MUTTER
27	TR0268	TRAPPOLA ARIA	RESERVOIR AIR	AIR TRAP	LUFTFALLE
28	903760	GUARNIZIONE 3/8" GAS	JOINT	GASKET	DICHTUNG
29	902100	GHIERA 3/8" GAS	VIROLE	LOCK NUT	NUT-MUTTER
30	907270	TUBO PRESSOSTATO	TUYAU PRESSOSTAT	PRESSURE SWITCH PIPE	SCHLAUCH
31	902425	FASCETTA ELASTICA	COLLIER	CLAMP	SCHIELLE
32	905275	PRESSOSTATO	PRESSOSTAT	PRESSURE SWITCH	DRUCK WAECHTER
33	907360	TUBO GOMMA Ø 10 X 17	TUYAU EN CAOUTCHOUC	RUBBER PIPE	GUMMISCHLAUCH
34	TR0079	RACCORDO ASPIRAZIONE	RACCORD ASPIRATION	INTAKE PIPE FITTING	ANSAUGANSCHLUSS
35	906366	SUPPORTO DOSATORE	SUPPORT DOSEUR	DOSING DEVICE SUPPORT	DOSIER TRAGER
36	905770	RESISTENZA 3000W	RESISTANCE	HEATING ELEMENT	HEIZKORPER
37	903300	GUARNIZIONE RESISTENZA	JOINT RESISTANCE	HEATING GASKET	HEIZKORPERLUFTFALLE
38	902610	FILTRO	FILTRE	FILTER	FILTER



POS.	CODICE	DESCRIZIONE	DESIGNATION	DESCRIPTION	BEZEICHNUNG
1	902988	GIRANTE LAVAGGIO-DESC.	BRAS DE LAVAGE-RINCCAGE	WASH-ARM-ARM	WASCH-SPÜLLAUFRAD
2	900513	BUSOLA LAVAGGIO	OUTILLE DE LAVAGE	WASH-BORE	WASCHBOHRUNG
3	904311	O-RING	O-RING	O-RING	O-RING
4	906490	TRIPPO GIRANTE LAVAGGIO	BOUCHON BRAS DE LAVAGE	PLUG FOR WASH ARM	VERSCHLUSSE WASHLAUFRAD
5	906490	TAPPO GIRANTE RINCCAGGIO	BOUCHON BRAS DE RINCCAGE	PLUG FOR RINCCAGE ARM	VERSCHLUSSE SPÜLLAUFRAD
6	904321	O-RING	O-RING	O-RING	O-RING
7	902801	GETTO LAVAGGIO DX	JET DE LAVAGE DROITE	RIGHT-HAND WASHING JET	RECHTE WASSCHAUSE
8	902802	GETTO LAVAGGIO SX	JET DE LAVAGE GAUCHE	LEFT-HAND WASHING JET	LINKS WASSCHAUSE
9	901701	COLLARE PER GETTO	COLLIER POUR JET	COLLAR FOR JET	KRAKEN DUSE
10	907720	VITE TC M6 X 10	VIS	SCREW	SCHRAUBE
11	901990	DADO M6	ECROU	NUT	MÜTTER
12	902811	GETTO RINCCAGGIO	JET DE RINCCAGE	RINCCING JET	SPÜLDUSE
13	904310	O-RING	O-RING	O-RING	O-RING
14	901710	COLLARE PER GETTO	COLLIER POUR JET	COLLAR FOR JET	KRAKEN DUSE
15	902985	GIRANTE	BRAS	ARM	SPÜLARM
16	904745	PIEDINO LAVAGGIO	TOUSHIELD DE LAVAGE	WASH FIT	WASCHSTIFF
17	902890	CHIERA BLOCCAGGIO	FRETTE DE BLOCAGE	LOCK-NUT	KLEBNUTTER
18	902803	GETTO LAVAGGIO SX	JET DE LAVAGE GAUCHE	LEFT-HAND WASHING JET	LINKS WASSCHAUSE
19	902800	GETTO LAVAGGIO DX	JET DE LAVAGE DROITE	RIGHT-HAND WASHING JET	RECHTE WASSCHAUSE
20	902795	GETTO RINCCAGGIO	JET DE RINCCAGE	RINCCING JET	SPÜLDUSE
21	904290	MOZZO	NOYEU	HUB	NAHE
22	904390	O-RING	O-RING	O-RING	O-RING
23	906400	SUPPORTO	PALIER	JOURNAL-BEARING	TRÄGER
24	904330	O-RING	O-RING	O-RING	O-RING
25	902100	CHIERA 3/8" GAS	FRETTE	RING-NUT	NUT-MÜTTER
26	905410	QUARNIZIONE	JOINT	GASKET	DICHTUNG
27	907919	RACCORDO	RACCORD	PIPE FITTING	ANSCHLUSSE
28	902440	FASCETTA 12/20	COLLIER	CLAMP	SCHELLE
29	907350	TUBO GOMMA 8 1/2 X 22	TOYAU EN CAOUTCHOUC	RUBBER ROSE	GUMMISCHLAUCH
30	905382	RACCORDO A T	RACCORD	PIPE FITTING	ANSCHLUSSE
31	907935	RACCORDO RINCCAGGIO	RACCORD DE RINCCAGE	RINCCING PIPE FITTING	SPÜLLANSCHLUSSE
32	908121	RACCORDO GOIVA	RACCORD	PIPE FITTING	ANSCHLUSSE
33	908122	TUBO RINCCAGGIO	TOYAU DE RINCCAGE	RINCCING PIPE	SPÜLLSCHLAUCH
34	903411	QUARNIZIONE	JOINT	GASKET	DICHTUNG
35	908120	RACCORDO A COMITO	RACCORD	PIPE FITTING	ANSCHLUSSE
36	947942	RACCORDO PORTAGOMMA	RACCORD	PIPE FITTING	ANSCHLUSSE
37	903600	MANICOTTO MARIATA SUP.	DURITE DE REPOULEMENT SUP.	UPPER OUTLET ELBOW	OBERE AUSLAUSSCHWEIFE
38	902441	FASCETTA 8 3/2/30	COLLIER	CLAMP	SCHELLE
39	902130	CHIERA 1" GAS	FRETTE	RING-NUT	NUT-MÜTTER
40	904280	O-RING	O-RING	O-RING	O-RING
41	900184	BRACCIO LAVAGGIO SUP.	BRAS LAVAGE SUP.	UPPER WASHING ARM	OBERE SPÜLARM
42	905400	RACCORDO MARIATA POST.	RACCORD	PIPE FITTING	ANSCHLUSSE
43	903780	QUARNIZIONE 1" GAS	JOINT	GASKET	DICHTUNG
44	900185	BRACCIO LAVAGGIO INF.	BRAS LAVAGE INF.	LOWER WASHING ARM	UNTERE SPÜLARM
45	906422	CHIERA 1" GAS	FRETTE	RING-NUT	NUT-MÜTTER



POS.	CODICE	DESCRIZIONE	DENOMINAZIONE	DESCRIPTION	BEZEICHNUNG
1	901075	CASSETTA ELETTRICA	BOITE ELECTRIQUE	CABINET	SCHALTKASTEN
2	907041	TELERUTTORE	TELERUPTEUR	CONTACTOR	SCHÜTZ
3	903333	SCHEDA ELETTRONICA	CARTE ELECTRONIQUE	ELECTRONICS CARD	PROGRAMM-KARTE
4	907100	TERMOSTATO 0°-90°	THERMOSTAT	THERMOSTAT	THERMOSTAT
5	903982	MANOPOLA	BOUTON	KNOB	KNOFF
6	907120	TERMOSTATO VASCA	THERMOSTAT	THERMOSTAT	THERMOSTAT
7	904211	MORSETTIERA	BORNES	TERMINAL BOARD	SCHILD
8	907002	TARCA	PLAQUETTE	PLATE	SCHALTAFEL
9	905327	INTERRUTTORE	INTERRUPTEUR	SWITCH	SCHALTER
10	903629	SPIA TEMPO LUNGO	LAMPE	LAMP	KONTROLLAMPE
10	903629	SPIA TEMPO CORTO	LAMPE	LAMP	KONTROLLAMPE
11	907090	TERMOMETRO	THERMOMETRE	THERMOMETER	THERMOMETER
12	TR0228	SPIA CICLO	LAMPE	LAMP	KONTROLLAMPE
13	TR0228	SPIA LINEA	LAMPE	LAMP	KONTROLLAMPE
14	905474	RELE'	RELAIS	RELAY	RELAIS