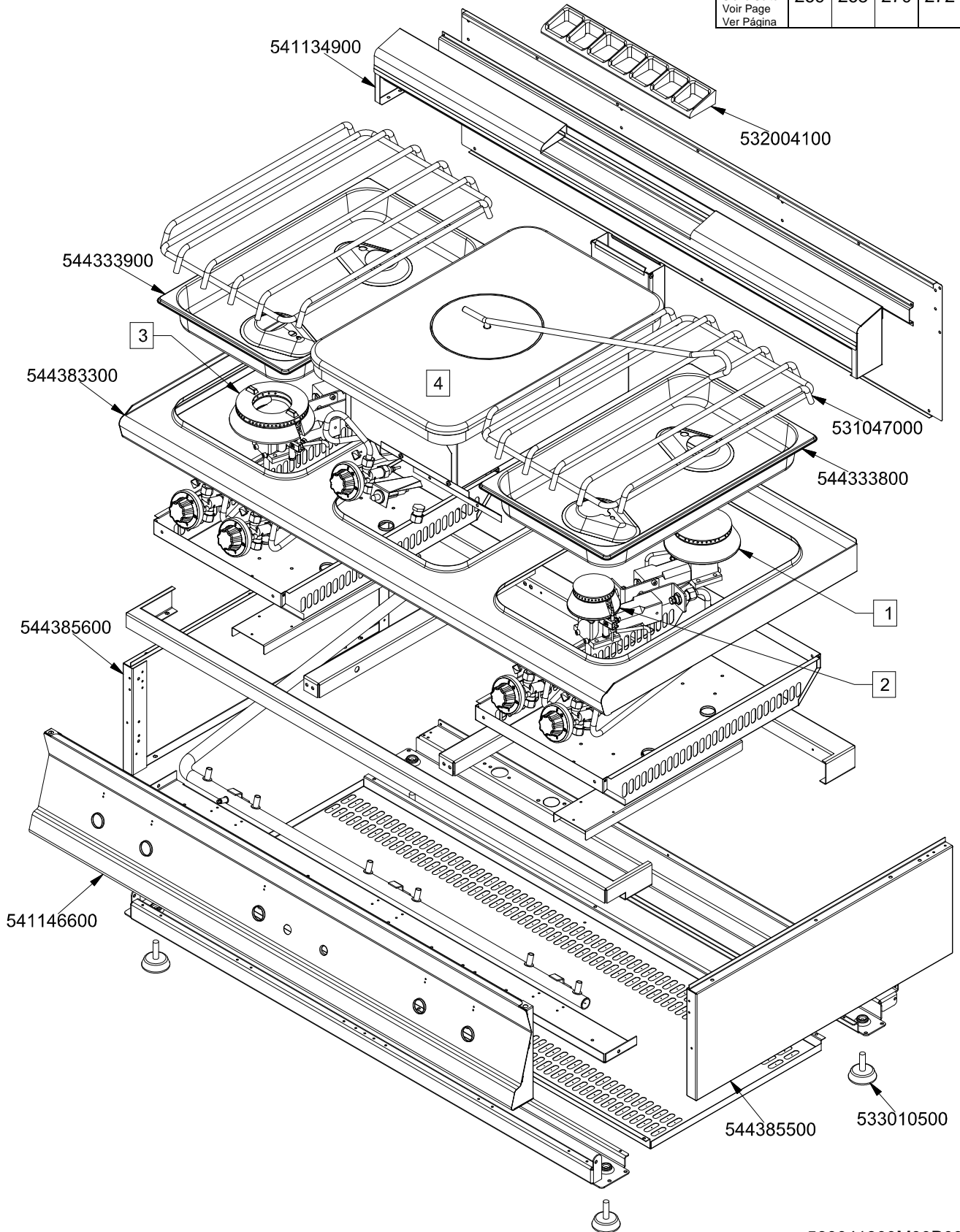


# SUPERLOTUS 70 TOP

GAS / GAS / GAS / GAZ

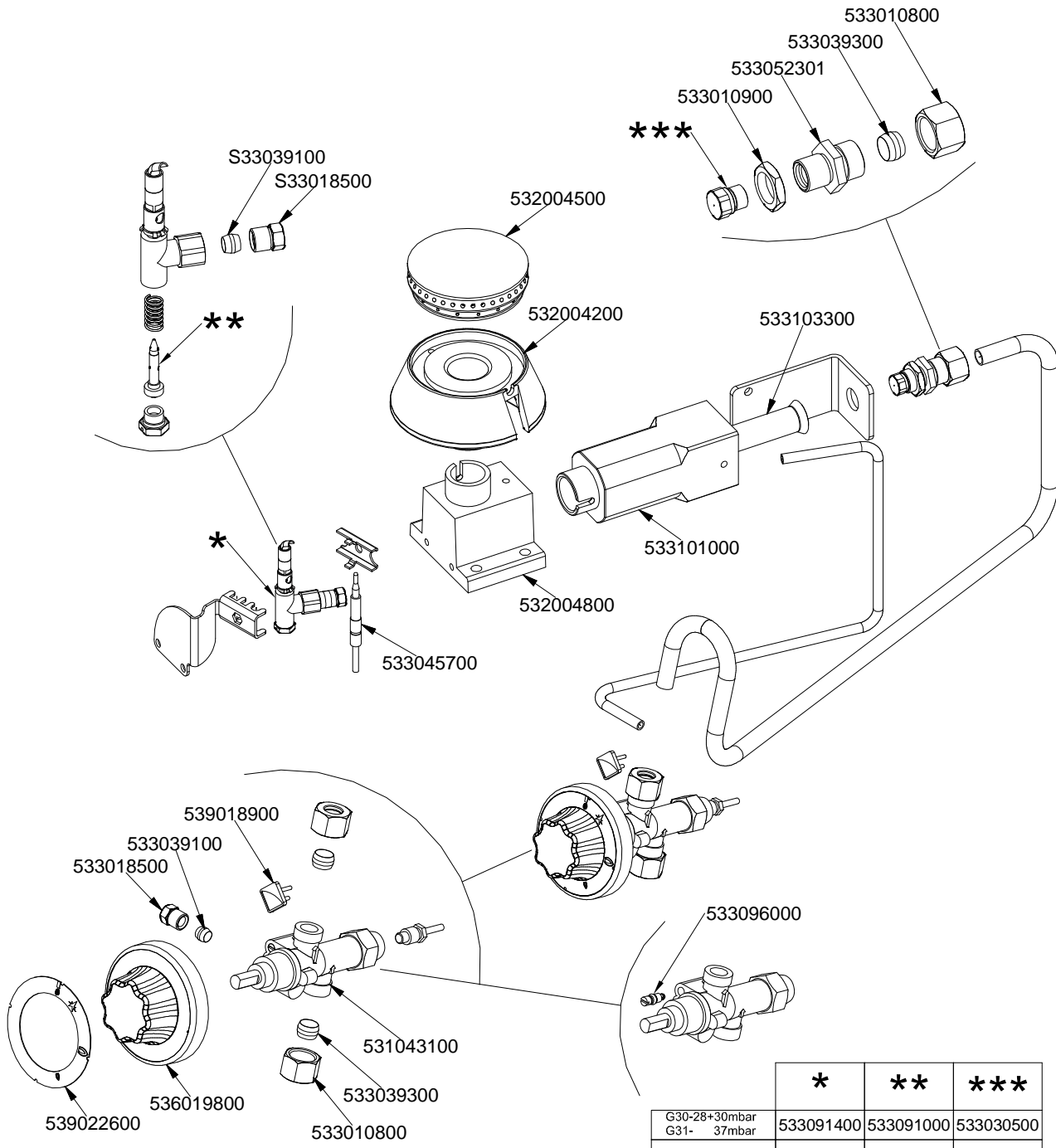
TP4T-712GP

|   | 1   | 2   | 3   | 4   |
|---|-----|-----|-----|-----|
| Vedi Pagina<br>See Page<br>Siehe Seite<br>Voir Page<br>Ver Página | 269 | 268 | 270 | 272 |



560041800M00P00

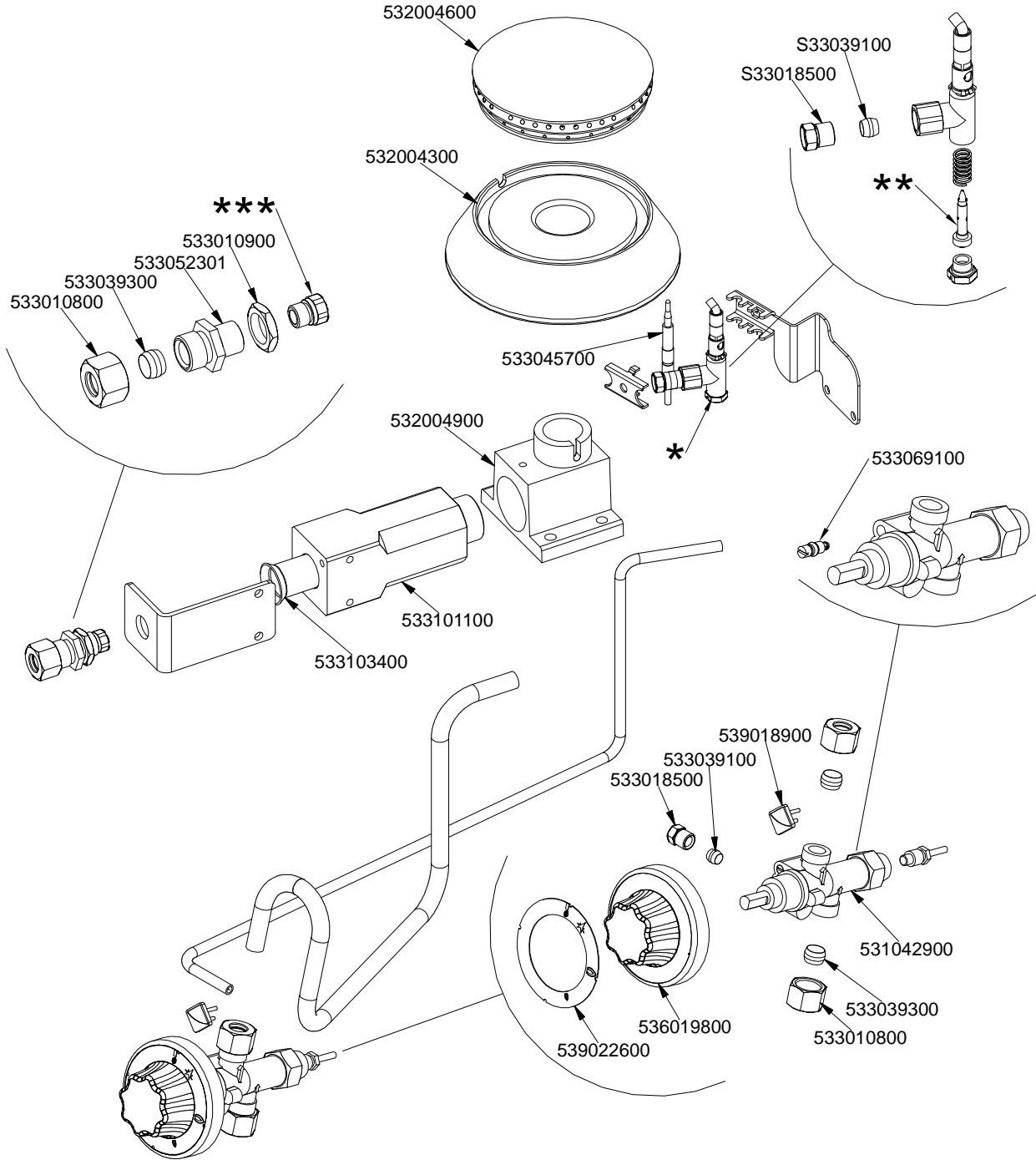
**PCT-G SR**



|                              | *         | **        | ***       |
|------------------------------|-----------|-----------|-----------|
| G30-28+30mbar<br>G31- 37mbar | 533091400 | 533091000 | 533030500 |
| G30- 50mbar                  | 533091400 | 533091000 | 533015100 |
| G20- 20mbar<br>G25- 25mbar   | 533091500 | 533091200 | 533015200 |
| G20- 20mbar<br>DE-AT         | 533091500 | 533091200 | 533015200 |
| G25- 20mbar                  | 533091500 | 533091200 | 533030800 |
| G25- 25mbar<br>NL            | 533091500 | 533091200 | 533014900 |

560038500M00P00.

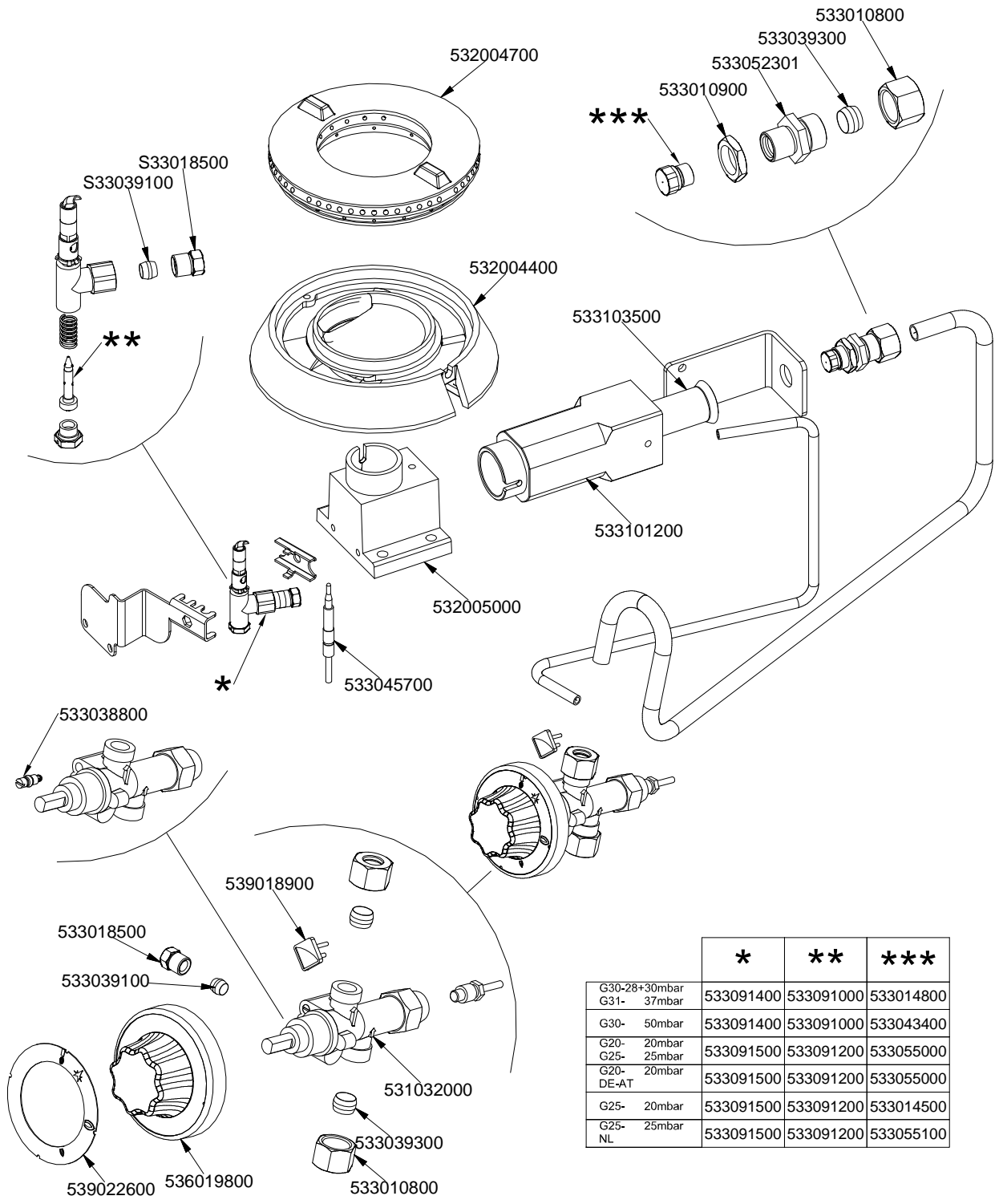
**PCT-G R**



|                              | *         | **        | ***       |
|------------------------------|-----------|-----------|-----------|
| G30-28+30mbar<br>G31- 37mbar | 533091400 | 533091000 | 533043900 |
| G30- 50mbar                  | 533091400 | 533091000 | 533019300 |
| G20- 20mbar<br>G25- 25mbar   | 533091500 | 533091200 | 533031000 |
| G20- 20mbar<br>DE-AT         | 533091500 | 533091200 | 533031000 |
| G25- 20mbar                  | 533091500 | 533091200 | 533043500 |
| G25- 25mbar<br>NL            | 533091500 | 533091200 | 533019400 |

560038600M00P00

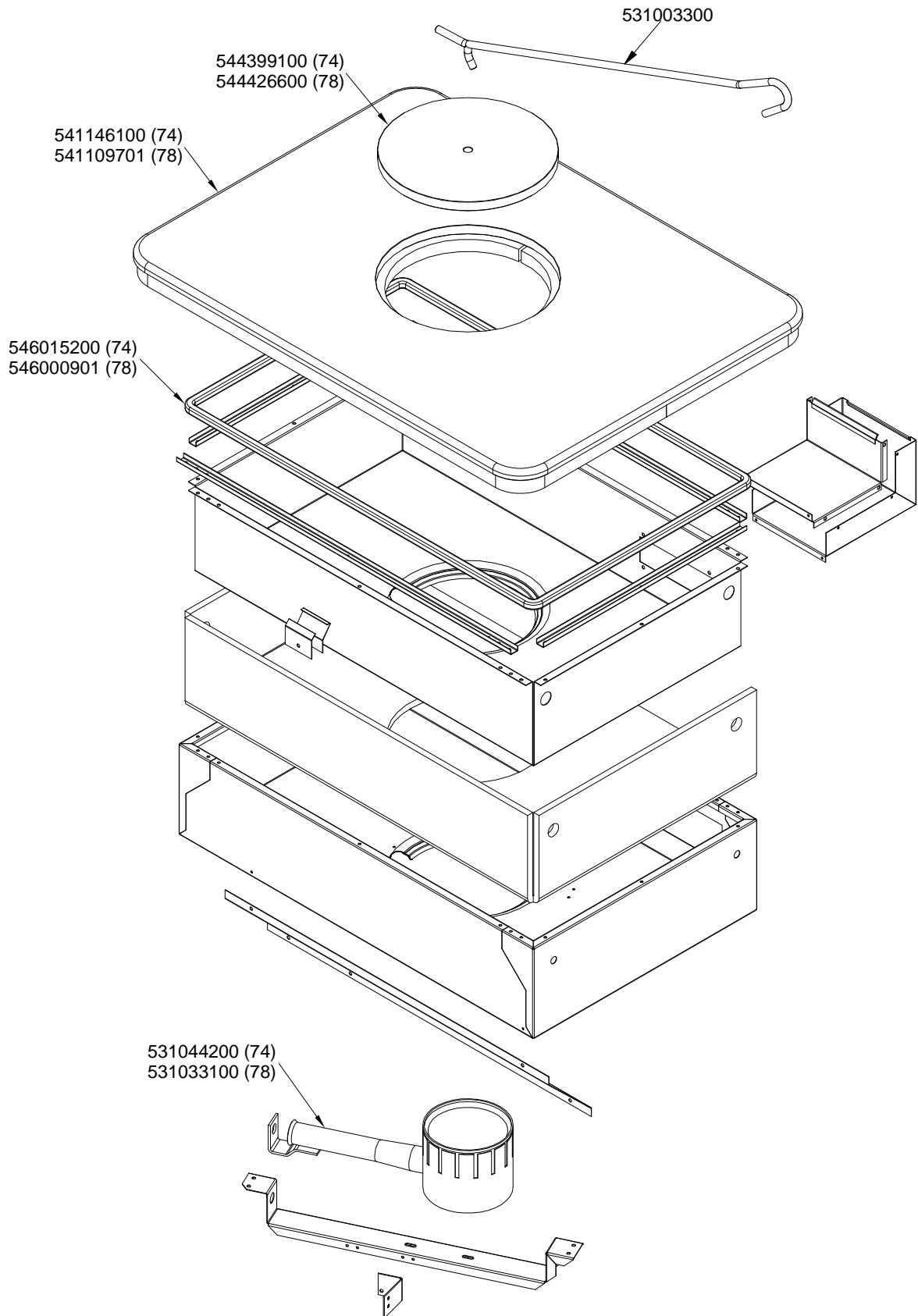
**PCT-G UR**



|                              | *         | **        | ***       |
|------------------------------|-----------|-----------|-----------|
| G30-28+30mbar<br>G31- 37mbar | 533091400 | 533091000 | 533014800 |
| G30- 50mbar                  | 533091400 | 533091000 | 533043400 |
| G20- 20mbar<br>G25- 25mbar   | 533091500 | 533091200 | 533055000 |
| G20- 20mbar<br>DE-AT         | 533091500 | 533091200 | 533055000 |
| G25- 20mbar                  | 533091500 | 533091200 | 533014500 |
| G25- 25mbar<br>NL            | 533091500 | 533091200 | 533055100 |

560038700M00P00

**TPT**

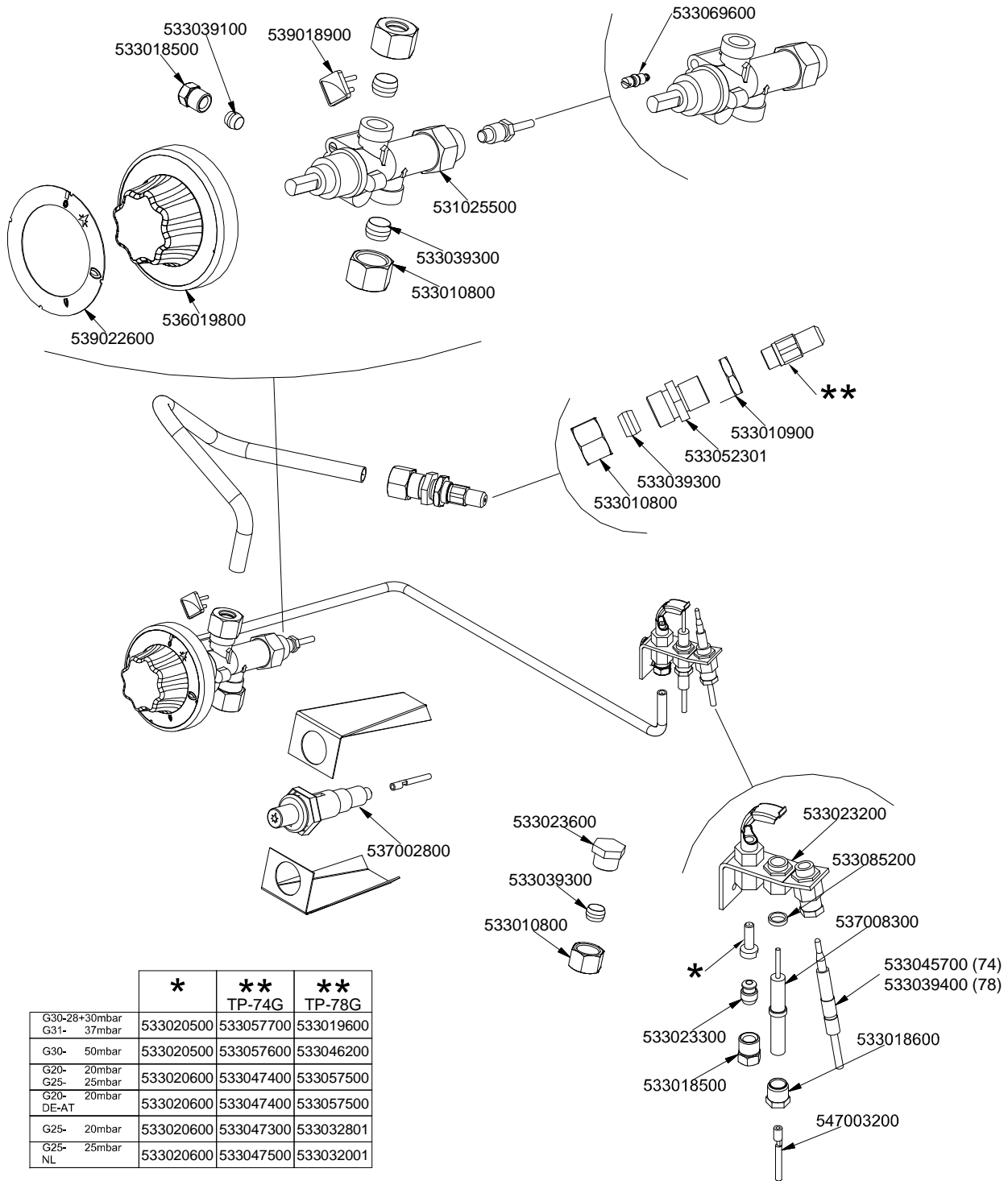


560041400M00P00

# SUPERLOTUS 70≥0602

COMPONENTI COMUNI / STANDARDS PARTS / UEBLICHE TEILE / COMPOSANTS COMMUNS

## TPT



|                              | *         | **        | **        |
|------------------------------|-----------|-----------|-----------|
|                              |           | TP-74G    | TP-78G    |
| G30-28+30mbar<br>G31- 37mbar | 533020500 | 533057700 | 533019600 |
| G30- 50mbar                  | 533020500 | 533057600 | 533046200 |
| G20- 20mbar<br>G25- 25mbar   | 533020600 | 533047400 | 533057500 |
| G20-<br>DE-AT                | 533020600 | 533047400 | 533057500 |
| G25- 20mbar                  | 533020600 | 533047300 | 533032801 |
| G25-<br>NL                   | 533020600 | 533047500 | 533032001 |

560035102M00P00

| Page | Pos | Code      | Description                         |
|------|-----|-----------|-------------------------------------|
| 001  |     | 541134900 | LOW SPACER 712 1 GRID               |
| 001  |     | 532004100 | FLUE GRID L=370 70LINE (RAF)        |
| 001  |     | 544333900 | BURNER CONTAINER 1/1GN R 304        |
| 001  |     | 544383300 | UPPER PLATE PC-712GP CF6-7128GP/GPE |
| 001  |     | 544385600 | LEFT SIDE OF 70T LINE               |
| 001  |     | 531047000 | 2 BURNER GRID FOR PC-700            |
| 001  |     | 544333800 | BURNER CONTAINER 1/1GN R 304        |
| 001  |     | 541146600 | CONTROL PANEL TP4-912G              |
| 001  |     | 544385500 | RIGHT SIDE OF 70T LINE              |
| 001  |     | 533010500 | LEG M10*25 D.40                     |
| 002  |     | 533010800 | TUBE NUT D.10 M16*1,5               |
| 002  |     | 533039300 | BICONE §10                          |
| 002  |     | 533052301 | JOINT FOR NOZZLE HOLDER             |
| 002  |     | 533010900 | NUT M14*1 H.4                       |
| 002  |     | 533039100 |                                     |
| 002  |     | 533018500 |                                     |
| 002  |     | 532004500 | BURNER COVER RING SR D73            |
| 002  |     | 532004200 | SMALL BURNER BODY 70LINE P.         |
| 002  |     | 533103300 | AIR ADJUSTMENT BUSHING D16 EST.H57  |
| 002  |     | 533101000 | BURNER VENTURI SR                   |
| 002  |     | 532004800 | ELBOW FITTING OF BURNER VENTURI SR  |
| 002  |     | 533045700 | THERMOCOUPLE M9*1 500               |
| 002  |     | 539018900 | INDEX FOR KNOB                      |
| 002  |     | 533039100 | BICONE §6                           |
| 002  |     | 533018500 | FITTING FOR BICONE D.6 M10*1        |
| 002  |     | 533096000 | §50 BY-PASS COCK 20S-21S            |
| 002  |     | 539022600 | GRADUATED STICKER FOR KNOB          |
| 002  |     | 531043100 | B.PASS §50 SAFETY COCK PC/CF 70     |
| 002  |     | 536019800 | BLACK KNOB §70 PIN §8*6,5           |
| 002  |     | 533091400 | P.NOZZLE S100 UG.§20 PC90 LPG-FLUS  |
| 002  |     | 533091000 | NOZZLE 0.100 §20                    |
| 002  |     | 533030500 | NOZZLE §90 CH12X14 G30/CE           |
| 002  |     | 533015100 | NOZZLE §80 CH12*14 F-FP/CP6         |
| 002  |     | 533091500 | PILOT NOZZLE S.100 §30 PC90 NAT.GAS |
| 002  |     | 533091200 | PILOT NOZZLE 0100 Ø35 PIL.PC        |
| 002  |     | 533015200 | NOZZLE §145 CH12*14 F-FP/CP6        |
| 002  |     | 533030800 | NOZZLE §155 CH12X14 M-CW            |
| 002  |     | 533014900 | NOZZLE §150 CH12*14 F-FQ5 L-FQ6     |
| 003  |     | 533039100 |                                     |
| 003  |     | 533018500 |                                     |
| 003  |     | 532004600 | BURNER COVER RING R D104            |
| 003  |     | 532004300 | MIDDLE BURNER BODY 70LINE P.        |
| 003  |     | 533010900 | NUT M14*1 H.4                       |
| 003  |     | 533052301 | JOINT FOR NOZZLE HOLDER             |
| 003  |     | 533039300 | BICONE §10                          |
| 003  |     | 533010800 | TUBE NUT D.10 M16*1,5               |
| 003  |     | 533045700 | THERMOCOUPLE M9*1 500               |
| 003  |     | 532004900 | ELBOW FITTING OF BURNER VENTURI R   |
| 003  |     | 533069100 | BY PASS COCK §60 20S                |
| 003  |     | 533101100 | BURNER VENTURI R                    |
| 003  |     | 533103400 | AIR ADJUSTMENT BUSHING D20 EST.H57  |

| Page | Pos | Code      | Description                         |
|------|-----|-----------|-------------------------------------|
| 003  |     | 539018900 | INDEX FOR KNOB                      |
| 003  |     | 533039100 | BICONE §6                           |
| 003  |     | 533018500 | FITTING FOR BICONE D.6 M10*1        |
| 003  |     | 531042900 | B.PASS §60 SAFETY COCK PC/CF 90     |
| 003  |     | 536019800 | BLACK KNOB §70 PIN §8*6,5           |
| 003  |     | 539022600 | GRADUATED STICKER FOR KNOB          |
| 003  |     | 533091400 | P.NOZZLE S100 UG.§20 PC90 LPG-FLUS  |
| 003  |     | 533091000 | NOZZLE 0.100 §20                    |
| 003  |     | 533043900 | NOZZLE §115 CH12*14 F-CW4           |
| 003  |     | 533019300 | NOZZLE §100 G-FQ5 F-CW              |
| 003  |     | 533091500 | PILOT NOZZLE S.100 §30 PC90 NAT.GAS |
| 003  |     | 533091200 | PILOT NOZZLE 0100 Ø35 PIL.PC        |
| 003  |     | 533031000 | NOZZLE §175 CH12X14                 |
| 003  |     | 533043500 | NOZZLE §190 CH12*14 G25 PC4R        |
| 003  |     | 533019400 | NOZZLE §180 CH12*14 L-FQ5           |
| 004  |     | 533010800 | TUBE NUT D.10 M16*1,5               |
| 004  |     | 533039300 | BICONE §10                          |
| 004  |     | 532004700 | BURNER COVER RING UR D128           |
| 004  |     | 533010900 | NUT M14*1 H.4                       |
| 004  |     | 533018500 |                                     |
| 004  |     | 533039100 |                                     |
| 004  |     | 532004400 | BIG BURNER BODY 70LINE P.           |
| 004  |     | 533103500 | AIR ADJUSTMENT BUSHING D22 EST.H57  |
| 004  |     | 533052301 | JOINT FOR NOZZLE HOLDER             |
| 004  |     | 533101200 | BURNER VENTURI UR                   |
| 004  |     | 532005000 | ELBOW FITTING OF BURNER VENTURI UR  |
| 004  |     | 533045700 | THERMOCOUPLE M9*1 500               |
| 004  |     | 533038800 | 75 BY-PASS FOR 21S TAP              |
| 004  |     | 539018900 | INDEX FOR KNOB                      |
| 004  |     | 533018500 | FITTING FOR BICONE D.6 M10*1        |
| 004  |     | 533039100 | BICONE §6                           |
| 004  |     | 539022600 | GRADUATED STICKER FOR KNOB          |
| 004  |     | 531032000 | GAS COCK P.V.BY-PASS Ø075           |
| 004  |     | 536019800 | BLACK KNOB §70 PIN §8*6,5           |
| 004  |     | 533091400 | P.NOZZLE S100 UG.§20 PC90 LPG-FLUS  |
| 004  |     | 533091000 | NOZZLE 0.100 §20                    |
| 004  |     | 533014800 | NOZZLE §135 CH12*14,0               |
| 004  |     | 533043400 | NOZZLE §117 CH12*14 G-PC4 UR        |
| 004  |     | 533091500 | PILOT NOZZLE S.100 §30 PC90 NAT.GAS |
| 004  |     | 533091200 | PILOT NOZZLE 0100 Ø35 PIL.PC        |
| 004  |     | 533055000 | NOZZLE §205 CH12*14 G25 CW4         |
| 004  |     | 533014500 | NOZZLE §225 CH12*14 OVEN GN 2/1     |
| 004  |     | 533055100 | NOZZLE §215 CH12*14 L-CW4           |
| 005  |     | 531003300 | TP-PLATE LIFTING HOOK               |
| 005  |     | 544399100 | PLATE RING FOR TP-74G TP-94G        |
| 005  |     | 544426600 | PLATE RING FOR TP-98G               |
| 005  |     | 541146100 | PLATE TP-74G                        |
| 005  |     | 541109701 | UPPER PLATE TP-78G                  |
| 005  |     | 546015200 | SQUARE BRAID 12*12*L=1495           |
| 005  |     | 546000901 | SQUARE BRAID OF INSULATING MATERIAL |
| 005  |     | 531044200 | CIRCULAR BURNER TP D.066            |



| Page | Pos | Code      | Description                         |
|------|-----|-----------|-------------------------------------|
| 005  |     | 531033100 | BURNER TP..-78G                     |
| 006  |     | 533069600 | BY PASS COCK §130 20S-21S           |
| 006  |     | 533039100 | BICONE §6                           |
| 006  |     | 533018500 | FITTING FOR BICONE D.6 M10*1        |
| 006  |     | 539018900 | INDEX FOR KNOB                      |
| 006  |     | 531025500 | GAS COCK 21S P.V.BY-PASS Ø130       |
| 006  |     | 533039300 | BICONE §10                          |
| 006  |     | 533010800 | TUBE NUT D.10 M16*1,5               |
| 006  |     | 536019800 | BLACK KNOB §70 PIN §8*6,5           |
| 006  |     | 539022600 | GRADUATED STICKER FOR KNOB          |
| 006  |     | 533010900 | NUT M14*1 H.4                       |
| 006  |     | 533052301 | JOINT FOR NOZZLE HOLDER             |
| 006  |     | 533023600 | TAP PLUG §10 M16*1, 5CH19           |
| 006  |     | 537002800 | PIEZOELECTRIC IGNITION M18          |
| 006  |     | 533085200 |                                     |
| 006  |     | 537008300 | ROUND PLUG §2,4- LONG ELECTRODE     |
| 006  |     | 533045700 | THERMOCOUPLE M9*1 500               |
| 006  |     | 533039400 | THERMOCOUPLE M9*1*850               |
| 006  |     | 533023200 | "TARGET" PILOT + NIPPLE TC BRAC.90° |
| 006  |     | 533023300 | BICONE §6 ("TARGET" PILOT)          |
| 006  |     | 533018600 | PLUG FITTING                        |
| 006  |     | 547003200 | HIGH-VOLTAGE CABLE TUBE.§2 L=500    |
| 006  |     | 533020500 | NOZZLE 0.140 §19                    |
| 006  |     | 533057700 | NOZZLE §130A CH12*30 F-BRF74        |
| 006  |     | 533019600 | NOZZLE §165 CH12*30 MH-FT5 H-FT6    |
| 006  |     | 533057600 | NOZZLE §115A CH12*30 G-BRF74        |
| 006  |     | 533046200 | NOZZLE §150 CH12X30 L-BR TP         |
| 006  |     | 533020600 | NOZZLE 0.140 §27                    |
| 006  |     | 533047400 | NOZZLE §195 CH12*30 M-BM8           |
| 006  |     | 533057500 | NOZZLE §260 CH12X30                 |
| 006  |     | 533047300 | NOZZLE §215 CH12*30 L-BM8           |
| 006  |     | 533032801 | NOZZLE §280 CH12*30 M-CPM           |
| 006  |     | 533047500 | NOZZLE §205 CH12*30 ML-BM-8G        |
| 006  |     | 533032001 | NOZZLE §270 CH12*30 MH-CPM          |