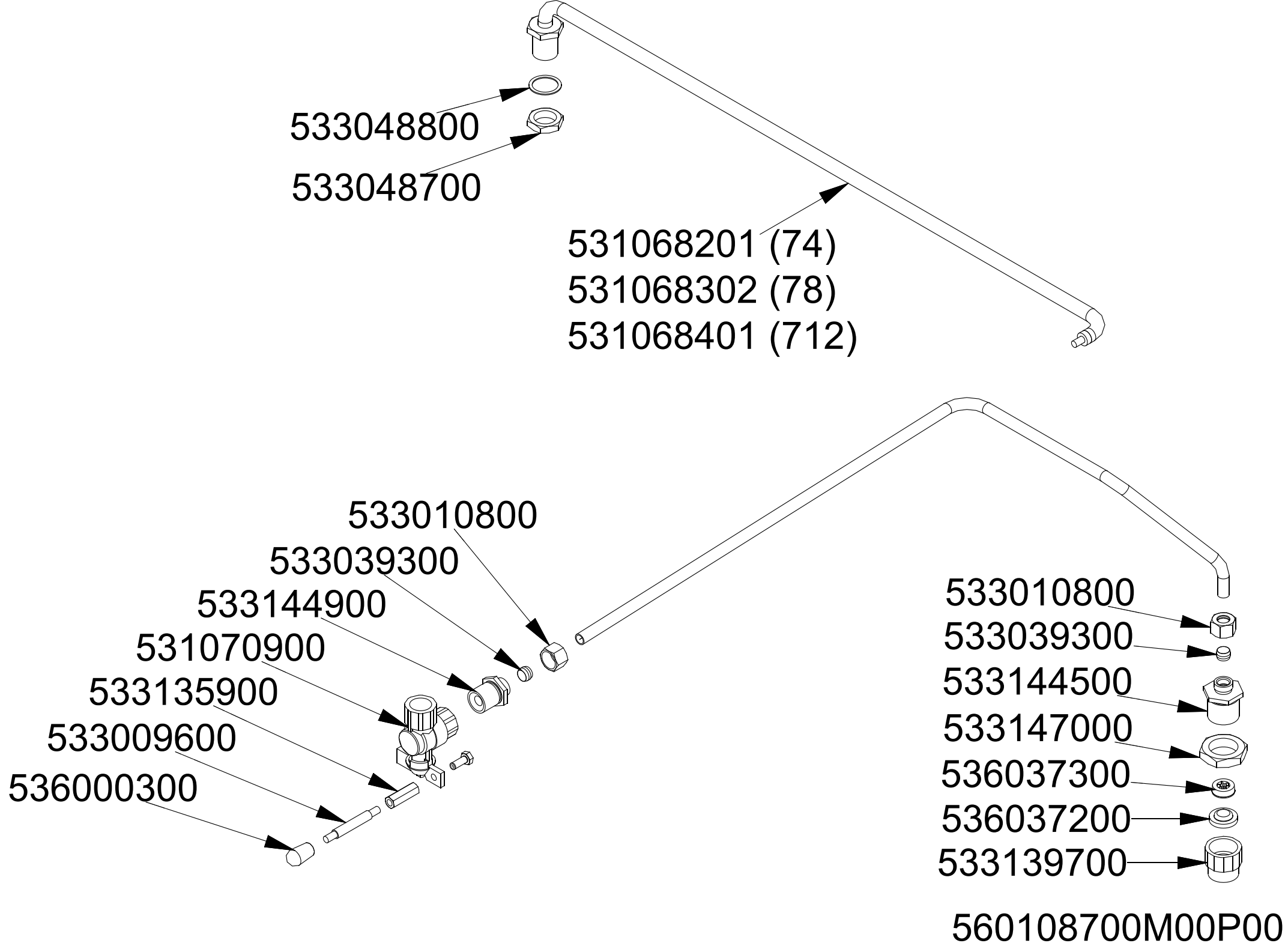
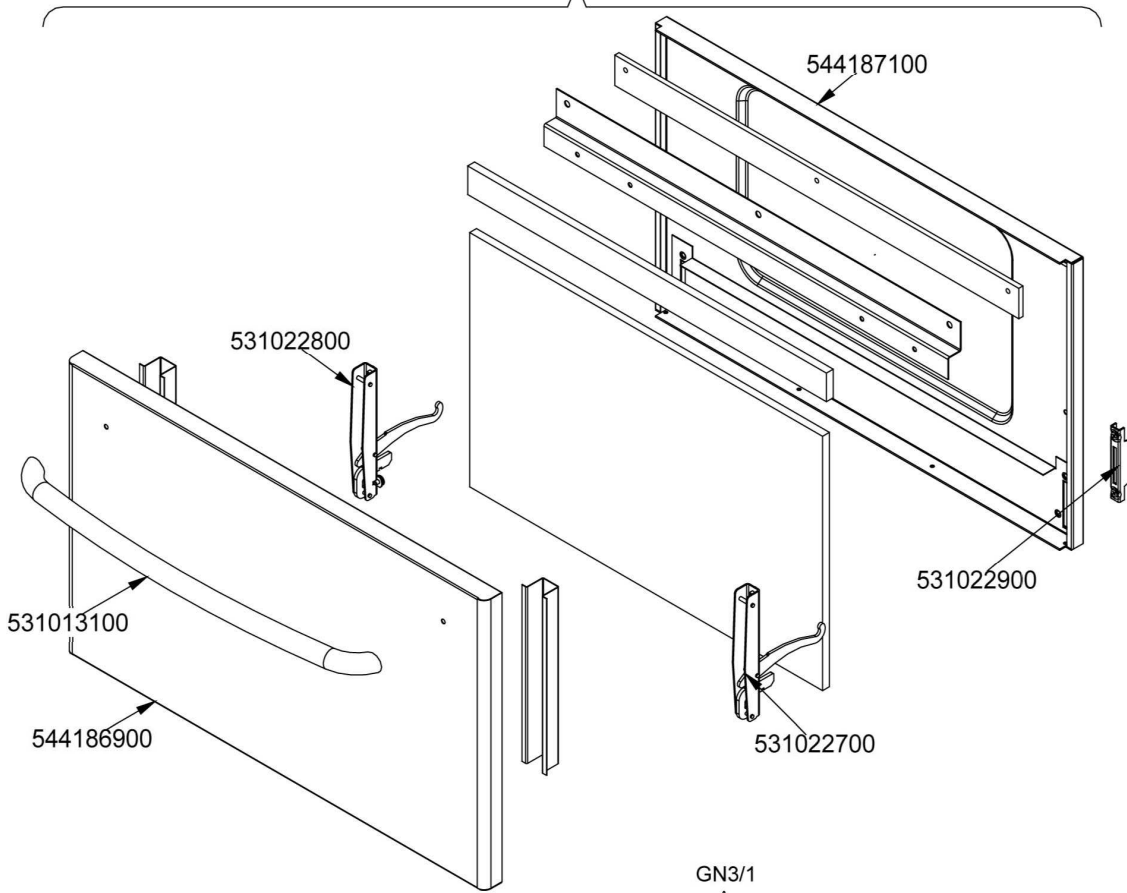


	*	**	***
G30-28+30mbar	533145200	533091000	533043900
G31- 37mbar	533145200	533091000	533019300
G30- 50mbar	533145200	533091000	533019300
G20- 20mbar	533145300	533091200	533031000
G25- 25mbar	533145300	533091200	533031000
G20- 20mbar DE-AT	533145300	533091200	533031000
G25- 20mbar	533145300	533091200	533043500
G25- 25mbar NL	533145300	533091200	533019400

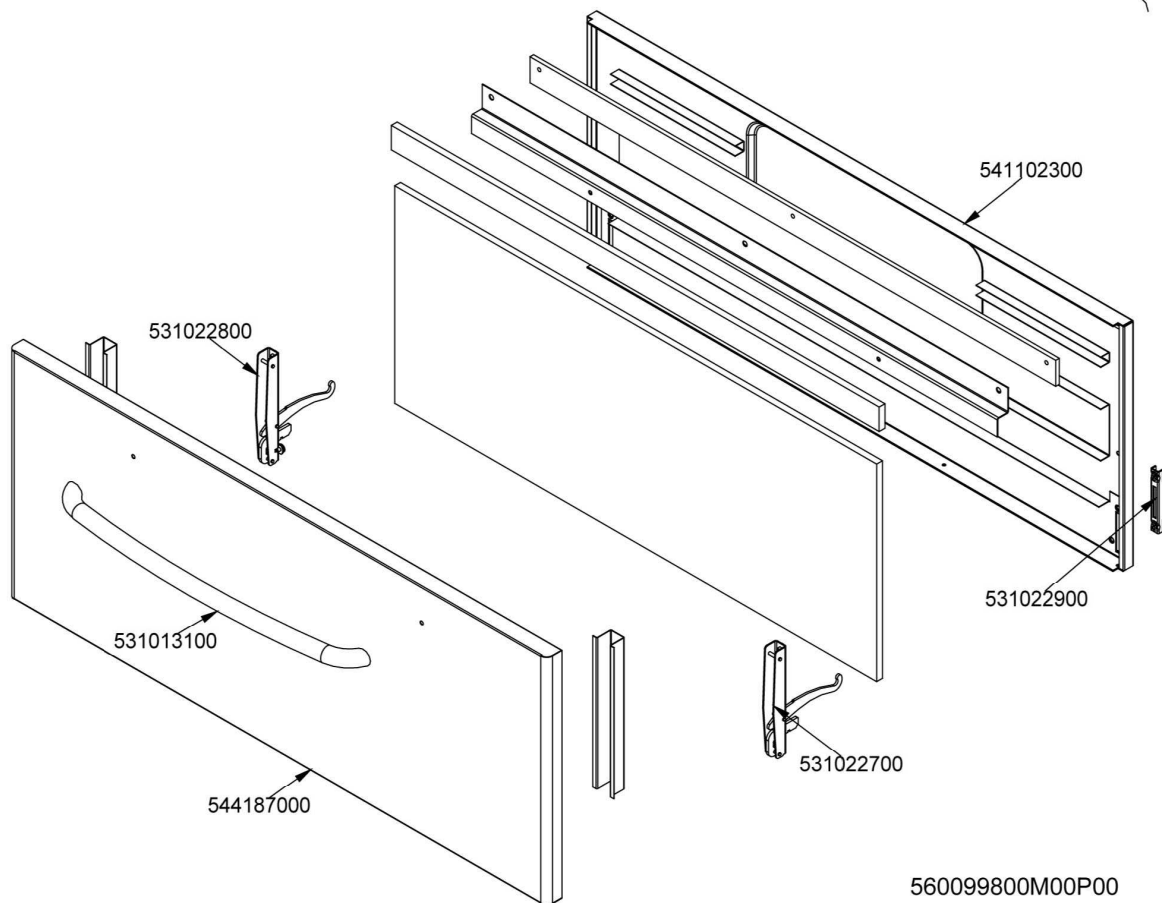
560101300M00P00



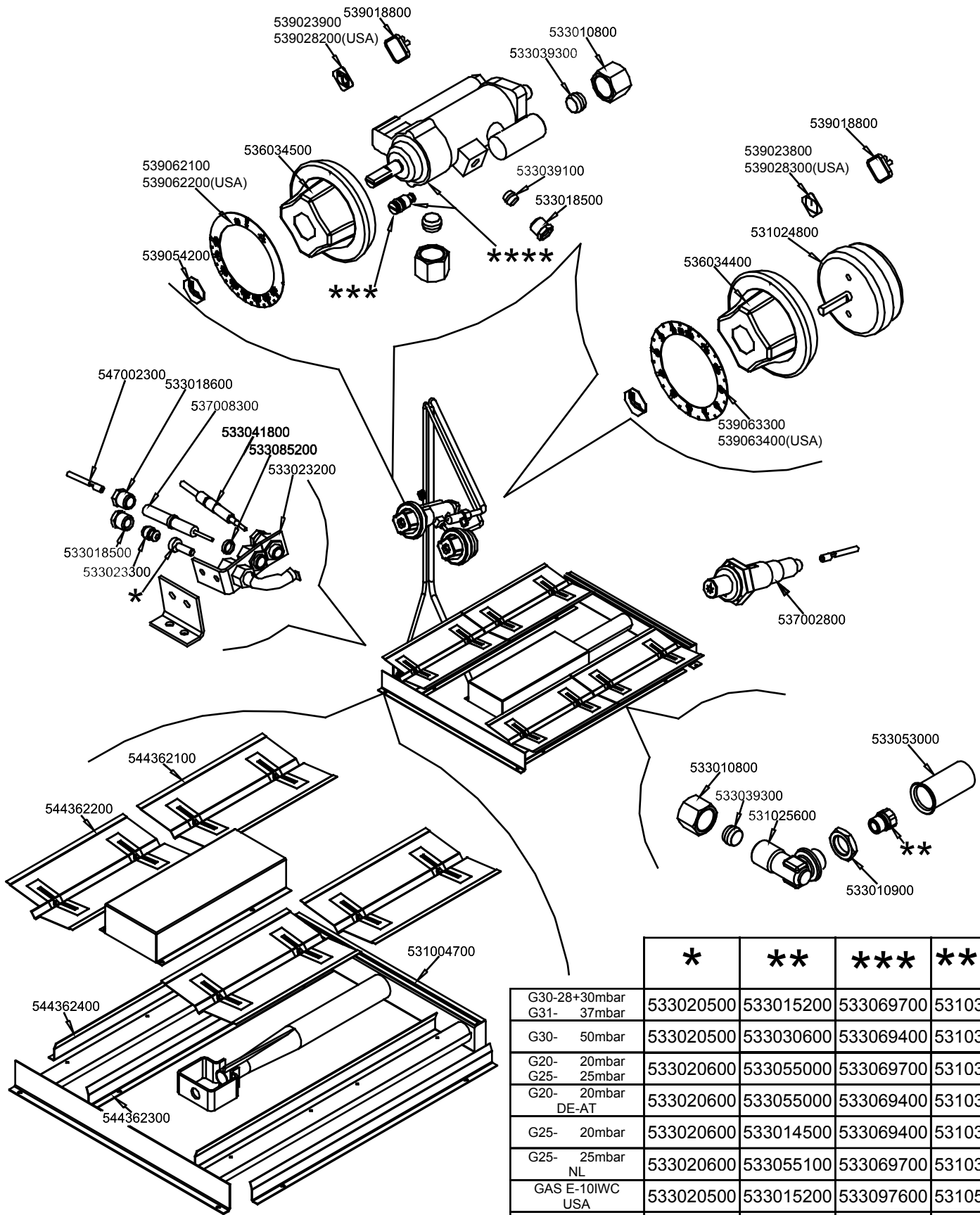
GN2/1



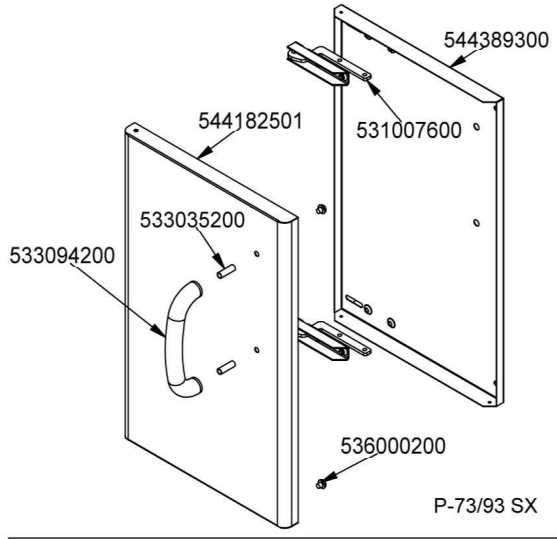
GN3/1



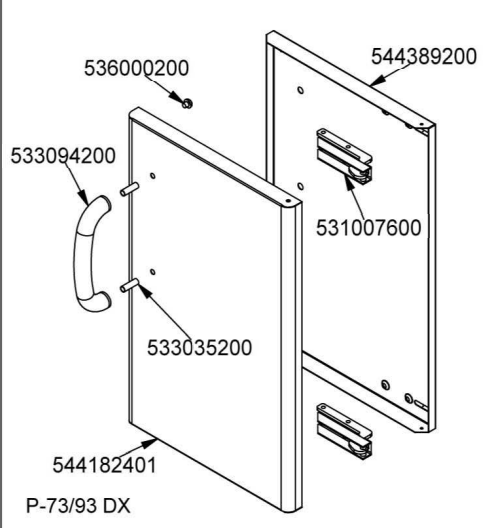
560099800M00P00



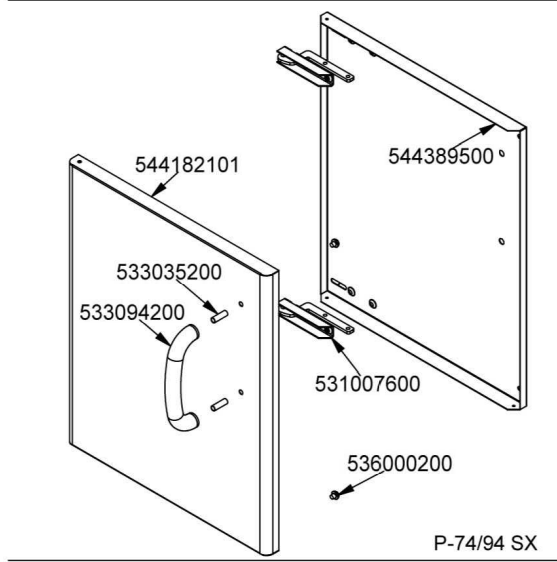
	*	**	***	****
G30-28+30mbar G31- 37mbar	533020500	533015200	533069700	531031600
G30- 50mbar	533020500	533030600	533069400	531033800
G20- 20mbar G25- 25mbar	533020600	533055000	533069700	531031600
G20- 20mbar DE-AT	533020600	533055000	533069400	531033800
G25- 20mbar	533020600	533014500	533069400	531033800
G25- 25mbar NL	533020600	533055100	533069700	531031600
GAS E-10IWC USA	533020500	533015200	533097600	531052500
GAS A-4IWC USA	533020600	533056300	533097600	531052500
G31- 2.49kPa AUS	533020500	533015200	533069700	531031600
G20- 1kPa AUS	533020700	533056300	533069700	531031600



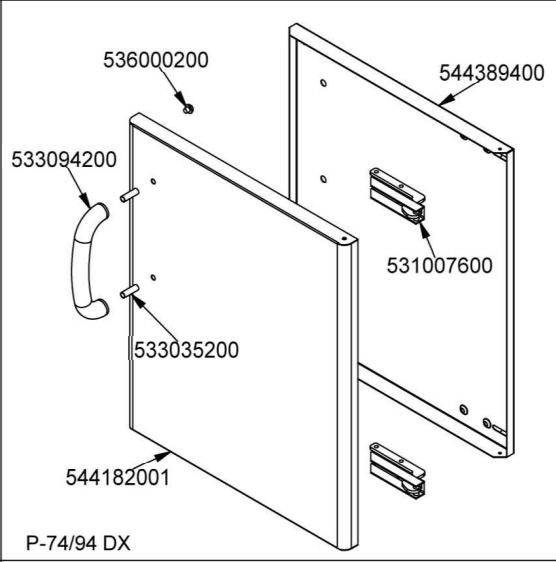
P-73/93 SX



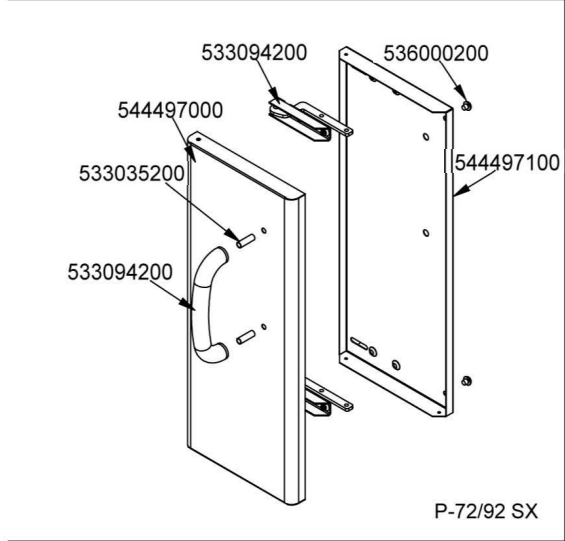
P-73/93 DX



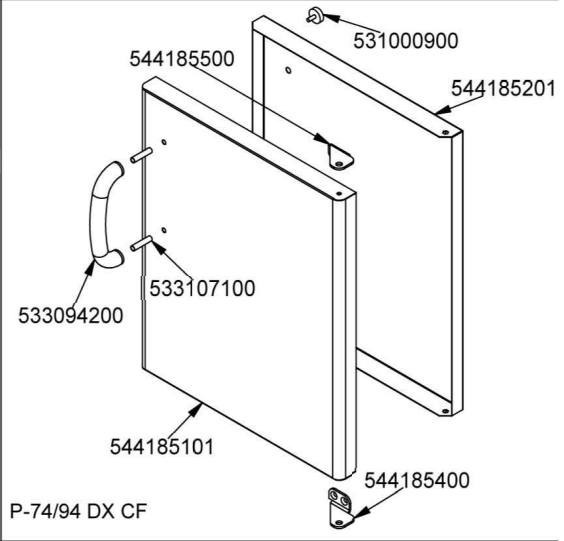
P-74/94 SX



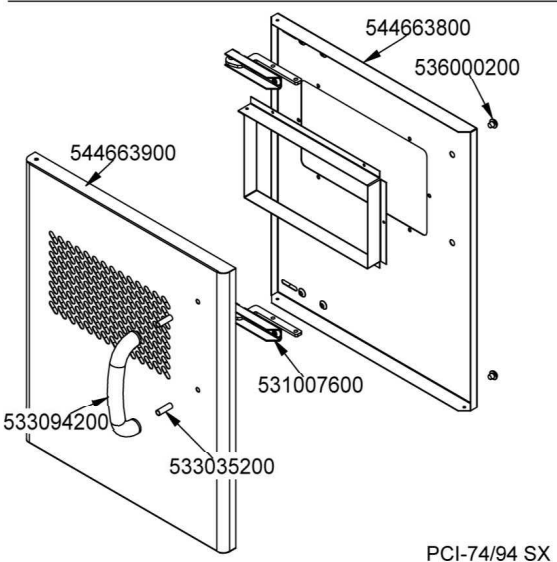
P-74/94 DX



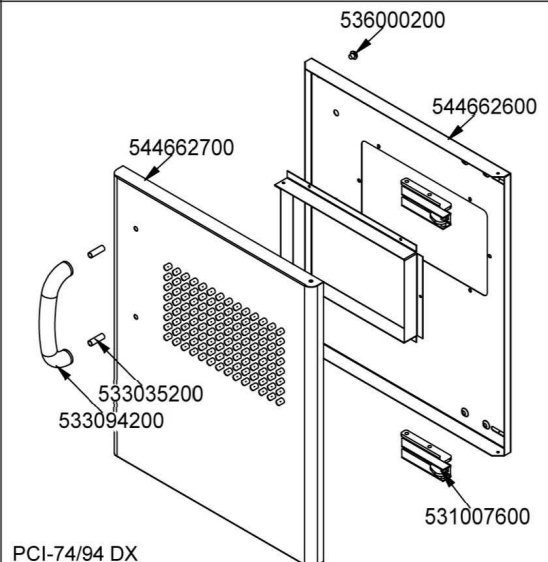
P-72/92 SX



P-74/94 DX CF



PCI-74/94 SX



PCI-74/94 DX

Page	Pos	Code	Description
001		531069700	2 BURNER GRID FOR PCA S70
001		532004100	FLUE GRID L=370 90LINE (RAF
001		541292100	OVERFLOW SET FOR PCA
001		541135000	LOW SPACER 712 1 LHD GRID
001		541291900	UPPER PLATE S70 PCA-712G
001		533047700	SPACER GRID CW
001		544173300	LEFT SIDE PANEL RANGE S.70
001		541188201	CONTROL PANEL S607090 CFA6-912G
001		544173200	RIGHT SIDE PANEL RANGE S.70
001		536005200	INOX LEG 2" 120-180 M10
002		532004700	BURNER COVER RING UR D128
002		532004400	BIG BURNER BODY 70LINE P.
002		536036701	BURNER GASKET PCA
002		532009600	BURNER VENTURI FITTING A3
002		533103500	AIR ADJUSTMENT BUSHING D22 EST.H57
002		532009400	BURNER VENTURI A3 8,5KW S90 PCA
002		536036800	GASKET FOR PILOT BURNER PCA
002		533145100	THERMOCOUPLE 750
002		533122600	FITTING THERMOCOUPLE M8X1 M9X1
002		533039100	BICONE §6
002		533018500	FITTING FOR BICONE D.6 M10*1
002		533039300	BICONE §10
002		533146800	BICONE FITTING §10 3/8G FEM.SABAF
002		533038800	75 BY-PASS FOR 21S TAP
002		539018900	INDEX FOR KNOB W/RED SIGN
002		531032000	GAS COCK P.V.BY-PASS Ø075
002		533010800	TUBE NUT D.10 M16*1,5
002		536034500	KNOB §77 4P. §08*6,5
002		539054200	STAMP Ø20,5 CR."L" LOTUS R.
002		539062800	RED STICKING DISK 72
002		533145200	PILOT UG.Ø20
002		533145300	PILOT UG.Ø35
002		533091000	NOZZLE 0.100 §20
002		533091200	PILOT NOZZLE 0100 Ø35 PIL.PC
002		533015200	NOZZLE §145 CH12*14 F-FP/CP6
002		533030600	NOZZLE §125 CH12*14
002		533055100	NOZZLE §215 CH12*14 L-CW4
002		533055300	NOZZLE §235 CH12*14
002		533014500	NOZZLE §225 CH12*14 OVEN GN 2/1
003		536036800	GASKET FOR PILOT BURNER PCA
003		533145100	THERMOCOUPLE 750
003		533018500	FITTING FOR BICONE D.6 M10*1
003		533039100	BICONE §6
003		533122600	FITTING THERMOCOUPLE M8X1 M9X1
003		532004600	BURNER COVER RING R D104
003		532004300	MIDDLE BURNER BODY 70LINE P.
003		536036701	BURNER GASKET PCA
003		532009300	BURNER VENTURI 5,5KW
003		533146800	BICONE FITTING §10 3/8G FEM.SABAF
003		533039300	BICONE §10
003		533103400	AIR ADJUSTMENT BUSHING D20 EST.H57



Page	Pos	Code	Description
003		532009600	BURNER VENTURI FITTING A3
003		533069100	BY PASS COCK §60 20S
003		539018900	INDEX FOR KNOB W/RED SIGN
003		531042900	B.PASS §60 SAFETY COCK PC/CF 90
003		533010800	TUBE NUT D.10 M16*1,5
003		536034500	KNOB §77 4P. §08*6,5
003		539054200	STAMP Ø20,5 CR."L" LOTUS R.
003		539062800	RED STICKING DISK 72
003		533145200	PILOT UG.Ø20
003		533145300	PILOT UG.Ø35
003		533091000	NOZZLE 0.100 §20
003		533091200	PILOT NOZZLE 0100 Ø35 PIL.PC
003		533043900	NOZZLE §115 CH12*14 F-CW4
003		533019300	NOZZLE §100 G-FQ5 F-CW
003		533031000	NOZZLE §175 CH12X14
003		533043500	NOZZLE §190 CH12*14 G25 PC4R
003		533019400	NOZZLE §180 CH12*14 L-FQ5
004		533048800	GASKET §30*§21*2 FIBRE
004		533048700	NUT 1/2G ZN
004		531068201	ASS.RACC.CA.H2O 1/2G PCA-74/94
004		531068302	ASS.RACC.CA.H2O 1/2G PCA-78/98
004		531068401	ASS.RACC.CA.H2O 1/2G PCA-712/912
004		533010800	TUBE NUT D.10 M16*1,5
004		533039300	BICONE §10
004		533144900	MALE FITTING WATER INLET M16X1,5
004		531070900	BALL VALVE 90° 1/2G F/F PCA
004		533009600	DRAIN COCK HANDLE
004		536000300	FIXED GRIP D.15*25*M6
004		533144500	FITTING FOR WATER INPUT 3/4G
004		533147000	BICONE FITTING 3/4G ZN
004		536037300	WATER REGULATOR 3/4 4LT-MIN
004		536037200	GASKETØ24,0XØ15,0X4,0
004		533139700	EXTENSION 3/4G M/F L14
005		544187100	OVEN INNER DOOR GN 2/1 70/90LINE
005		531022800	LEFT OVEN DOOR HINGE S.70
005		531013100	OVEN DOOR HANDLE OF 70/90-LINE
005		544186900	OVEN DOOR GN 2/1 70/90LINES
005		531022700	RIGHT OVEN DOOR HINGE 70LINE
005		531022900	HINGE DOOR WHEEL HOLDER S.70
005		541102300	GAS OVEN INNER DOOR GN 3/1 S.70
005		544187000	OVEN DOOR GN 3/1 S.70
006		539018800	BLANK INDEX FOR KNOB
006		539023900	SIGN PLATE FOR OVEN TEMPERATURE
006		539028200	SIGN PLATE FOR OVEN TEMPERATURE
006		533010800	TUBE NUT D.10 M16*1,5
006		533039300	BICONE §10
006		539023800	LABEL FOR OVEN TIMER
006		539028300	SIGN PLATE FOR OVEN TIMER
006		531024800	TIMER 120'- 360°
006		536034400	KNOB §77 4P. §06*4,6 C/M
006		533039100	BICONE §6

Page	Pos	Code	Description
006		533018500	FITTING FOR BICONE D.6 M10*1
006		536034500	KNOB §77 4P. §08*6,5
006		539062100	ADESIVE DISK FOR GAS OVEN S70
006		539062200	ADESIVE DISK FOR GAS OVEN S70 USA
006		539054200	STAMP O20,5 CR."L" LOTUS R.
006		547002300	HIGH-VOLTAGE CABLE §2 L=1900
006		533018600	PLUG FITTING
006		537008300	ROUND PLUG §2,4- LONG ELECTRODE
006		533041800	THERMOCOUPLE 1500 M9*1
006		533085200	SPACER FOR PILOT PLUG
006		533023200	TARGET PILOT + NIPPLE TC BRAC.90°
006		539063300	ADESIVE DISK FOR TYMER GREY
006		539063400	ADESIVE DISK FOR TYMER GREY USA
006		533023300	BICONE §6 ("TARGET" PILOT
006		537002800	PIEZOELECTRIC IGNITION M18 WITH NUT
006		533053000	AIR ADJUSTMENT BUSHING §18
006		531025600	ELBOW 90° NOZZLE-HOLDER §10 PIPE
006		533010900	NUT M14*1 H.4
006		544362100	UPPER BURNER DEFLECTOR FOR OVEN 70
006		544362200	UPPER PILOT DEFLECTOR FOR OVEN 70
006		531004700	BURNER FOR OVEN GN 2/1 S.70
006		544362400	SIDE PILOT DEFLECTOR FOR OVEN 70
006		544362300	SIDE BURNER DEFLECTOR FOR OVEN 70
006		533020500	NOZZLE 0.140 §19
006		533020600	NOZZLE 0.140 §27
006		533020700	NOZZLE 0.140 §35
006		533015200	NOZZLE §145 CH12*14 F-FP/CP6
006		533030600	NOZZLE §125 CH12*14
006		533055000	NOZZLE §205 CH12*14 G25 CW4
006		533014500	NOZZLE §225 CH12*14 OVEN GN 2/1
006		533055100	NOZZLE §215 CH12*14 L-CW4
006		533056300	NOZZLE §240 CH12*14
006		533069700	BY PASS COCK §075 25ST
006		533069400	BY PASS COCK §065 25ST
006		533097600	BY PASS COCK §090 25ST
006		531031600	HORIZON.THERMOSTATIC TAP BY-PASS 75
006		531033800	HORIZON.THERMOSTATIC TAP BYPASS §65
006		531052500	GAS COCK 25ST BY PASS D090 HORIZ.P
007		544389300	CONTROP.73 SX APP. LT
007		531007600	DOOR HINGE
007		544182501	LEFT DOOR 73
007		533094200	S/S HANDLE FOR 70/90 SERIES
007		533035200	HANDLE SPACER
007		536000200	D.12 H.4 BUMPER
007		544389200	CONTROP.73 DX APP. LT
007		544182401	RIGHT DOOR 73
007		544182101	LEFT DOOR 74
007		544389500	INNER-DOOR OF LHD 74
007		544389400	CONTROP.74 DX APP. LT
007		544182001	RIGHT DOOR 74
007		544497000	PORTA 72 SX

Page	Pos	Code	Description
007		544497100	CONTROP.72 SX APP. LT
007		533107100	HANDLE SPACER OF CF-70
007		544185500	UPPER DOOR HINGE FOR COMPARTME CF70 12.8
007		531000900	MAGNET §22 KG.3 WITH DISK
007		544185201	INNER DOOR * 74DX
007		544185400	LOWER DOOR HINGE FOR COMPARTME CF70 12.8
007		544663900	LHD 74 DOOR FOR PCI
007		544663800	74 LHD OVEN INNER DOOR FOUR PCI
007		544662700	DOOR 74 DX PCI
007		544662600	CONTROP.74 DX APP. LT PCI
007		544185101	RIGHT DOOR 74 CF