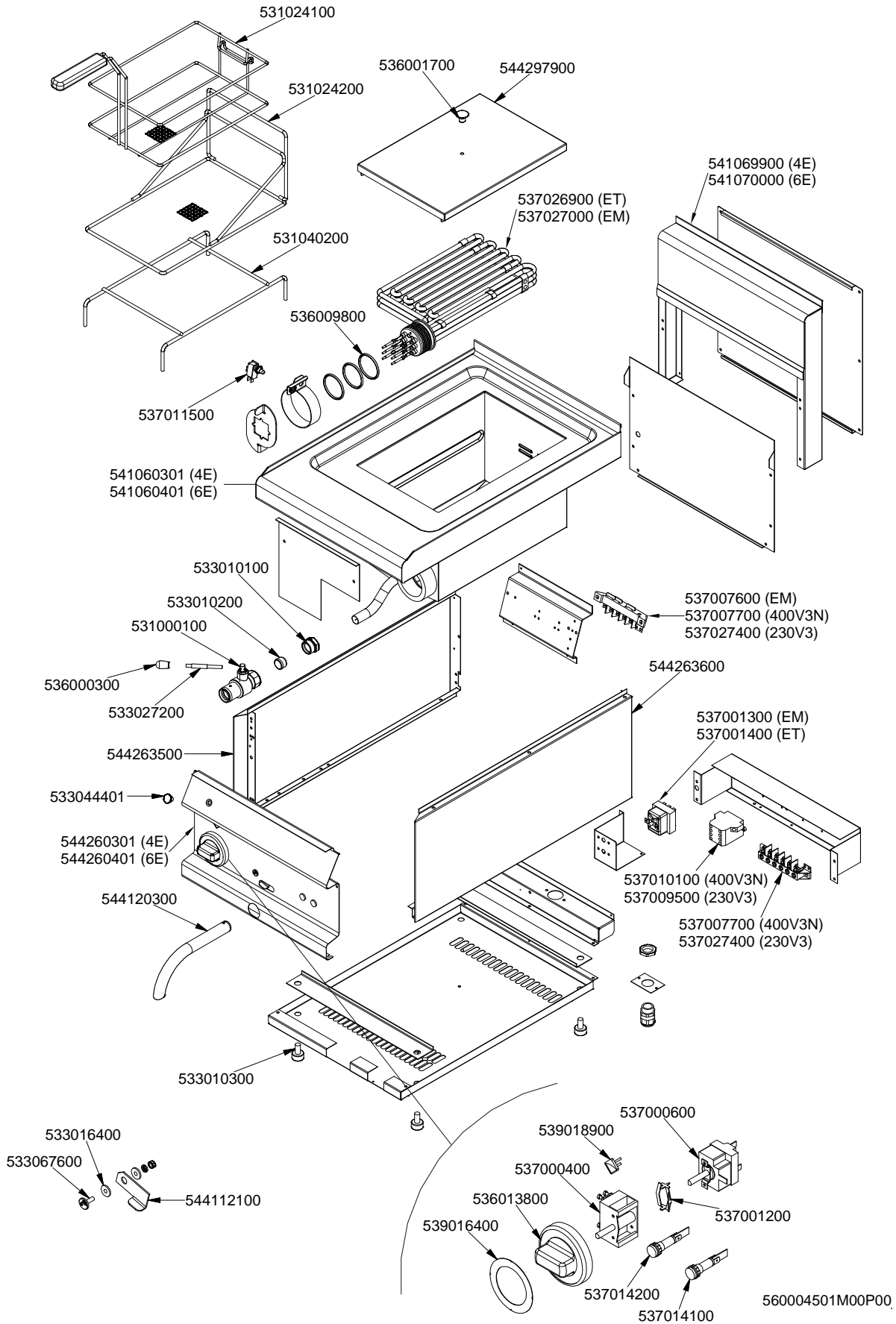


MAGIC PROF 65

ELETTRICO / ELECTRIC / ELEKTRO / ELECTRIQUE

FQ-4EM FQ-4ET FQ-6EM FQ-6ET N° ≥ 0406



| Page | Pos | Code | Description |
|------|-----|-----------|-------------------------------------|
| 001 | | 531024100 | FRYER BASKET FQ-4/6G FQ-61E |
| 001 | | 531024200 | TANK FILTER/BASKET SUPPORT |
| 001 | | 536001700 | GRIP D.25*19*M6 |
| 001 | | 544297900 | TANK LID FQ-4/6-E/GG |
| 001 | | 541070000 | NEUTRAL SPACER 6 |
| 001 | | 537026900 | HEATING ELEM.6600W 230V 3 ROTAT.EL. |
| 001 | | 531040200 | FILTER SUPPORT FQ-E 60/65LINE |
| 001 | | 536009800 | GASKET O-RING 47,22X3,53 VITON |
| 001 | | 537011500 | MICRO-SWITCH 16A |
| 001 | | 541060401 | UPPER PLATE NEW FQ-6E |
| 001 | | 533010100 | 3/4 D. 18 PIPE UNION |
| 001 | | 533010200 | BICONE 18S |
| 001 | | 531000100 | DRAIN COCK 3/4" |
| 001 | | 536000300 | FIXED GRIP D.15*25*M6 |
| 001 | | 533027200 | HANDLE FOR DRAIN COCK 3/4"G FG |
| 001 | | 544263500 | RIGHT SIDE S.65 |
| 001 | | 533044401 | M8 THREADED CAP FOR SEC.THERMOSTAT |
| 001 | | 537007700 | TERMINAL BLOCK THREEPHASE 40A |
| 001 | | 537027400 | TERMINAL BLOCK THREEPHASE 40A |
| 001 | | 544263600 | LEFT SIDE S.65 |
| 001 | | 537001400 | SAFETY THERMOSTAT 235°C THREEPHASE |
| 001 | | 544260401 | CONTROL PANEL FQ-6E (NEW MODEL) |
| 001 | | 544120300 | DRAIN PIPE 22 FOR COCK 3/4"G |
| 001 | | 537010100 | REMOTE CONTROL SWITCH 20A 230V |
| 001 | | 537009500 | REMOTE CONTROL SWITCH 3RT102 35A 23 |
| 001 | | 533010300 | ADJUSTABLE FOOT M10*20 D.23 |
| 001 | | 537000600 | THERMOSTAT 90-180°C SINGLEPHASE |
| 001 | | 533016400 | COCK BUSHING |
| 001 | | 533067600 | PIN FOR GRADUATED COCK BUSHING |
| 001 | | 544112100 | COCK FIXING BRACKET FG-10 |
| 001 | | 537001200 | FIXING BRACKET FOR THERMOSTAT/COMM. |
| 001 | | 539016400 | ADHESIVE GRADUATED DISC FOR KNOB |
| 001 | | 537014200 | GREEN WARNING LIGHT 250V |
| 001 | | 537014100 | WHITE WARNING LIGHT 250V |
| 001 | | 539018900 | INDEX FOR KNOB |
| 001 | | 537000400 | COMMUTATOR 1POS.SINGLEPHASE S49 16A |
| 001 | | 536013800 | KNOB D.70 BLACK 6*5 WITH SPRING |