

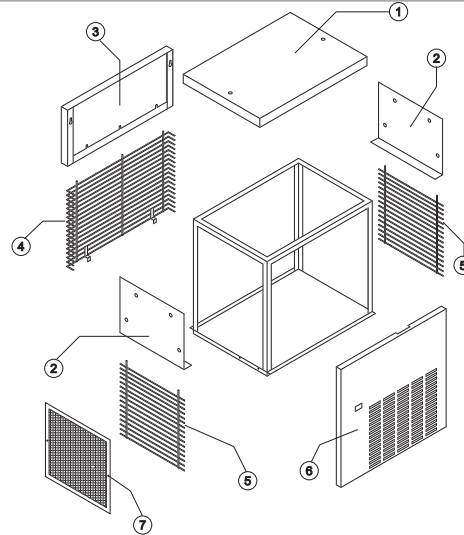


G500

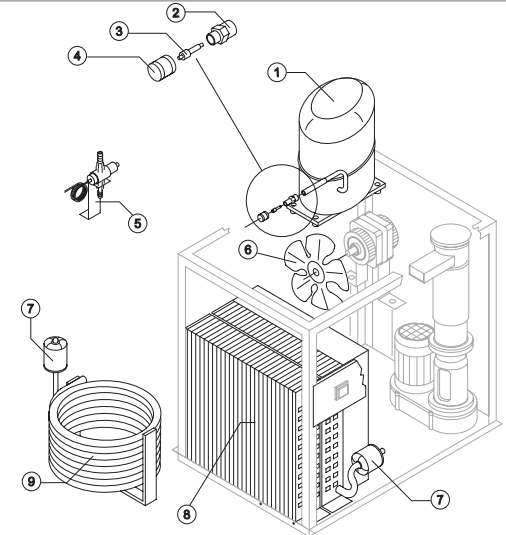
LIST OF THE EXPLODED VIEWS



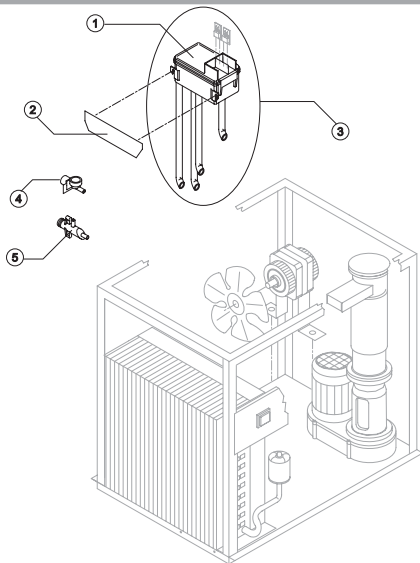
SHELL ASSY



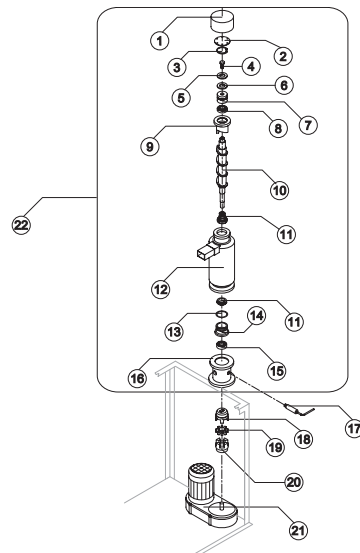
COOLING SYSTEM



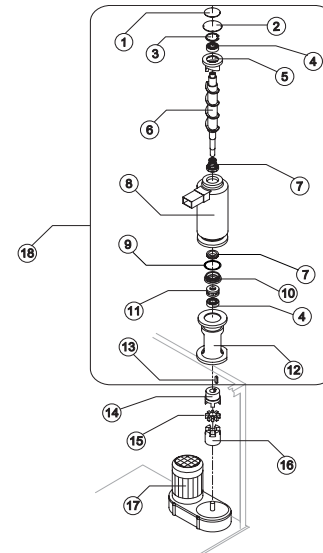
HYDRAULIC CIRCUIT



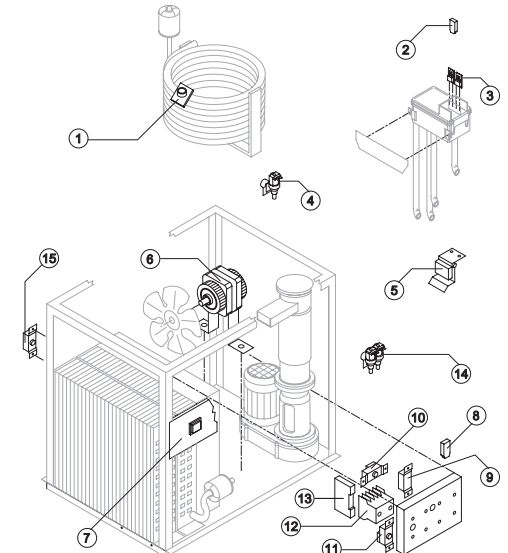
EVAPORATOR From s/n.155370 up Today



EVAPORATOR Till s/n. 155369



ELECTRIC PARTS

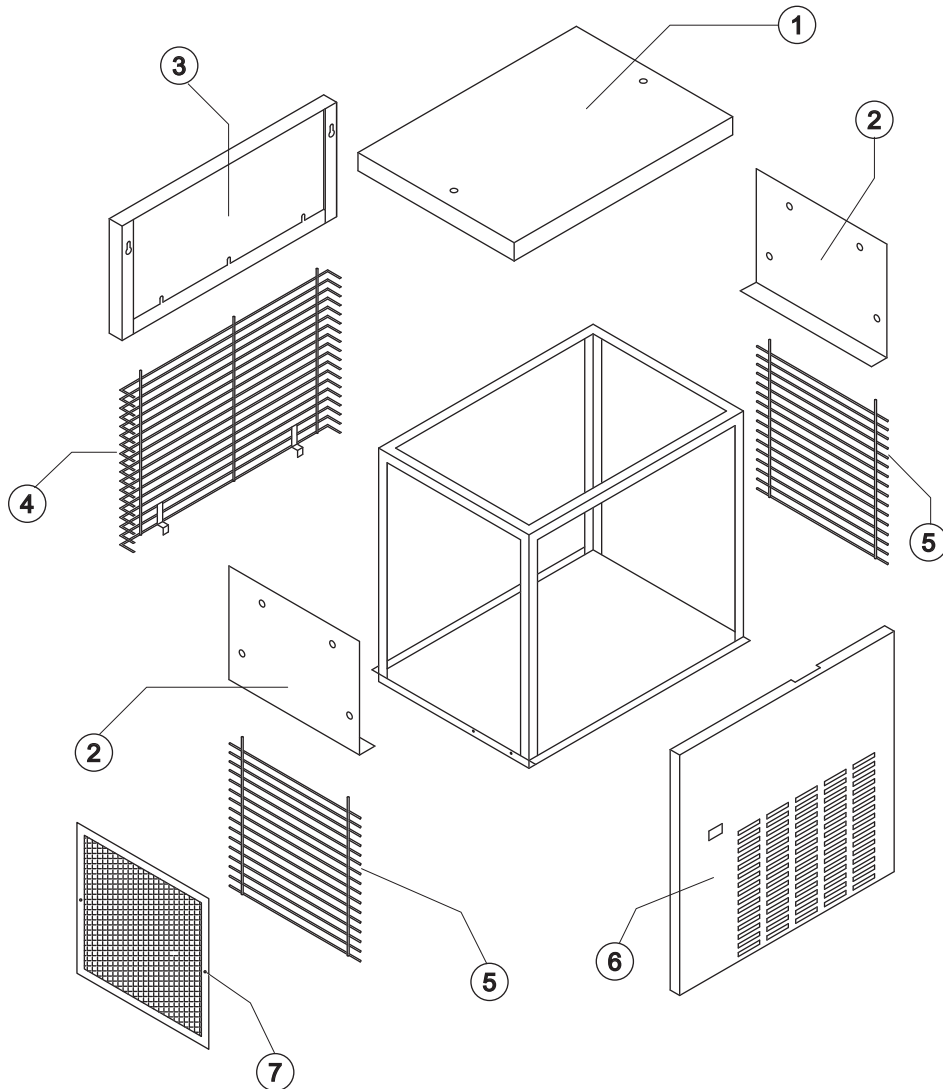


Rev. 1 - 12/6/2002



G500

SHELL ASSY



Common Parts

Ref.	Spare Description	Code
1	Top	22667
2	Right/Left Panel	22663
3	Back Panel	22665
4	Back Grid	D12060
5	Lateral Grid	D12061
6	Back Panel Assembly	C22662B

Parts for Air-Cooled Version Only

Ref.	Spare Description	Code
7	Filter	18163

Rev. 1 - 12/6/2002



G500

COOLING SYSTEM

Common Parts

Ref.	Spare Description	Code
1	Compressor	See Table
2	Vacuum-Charge Valve Body	14007
3	Vacuum-Charge Valve Device	14005
4	Vacuum-Charge Valve Plug	14006
7	Solid Core Drier	14084

Parts for Air-Cooled Version Only

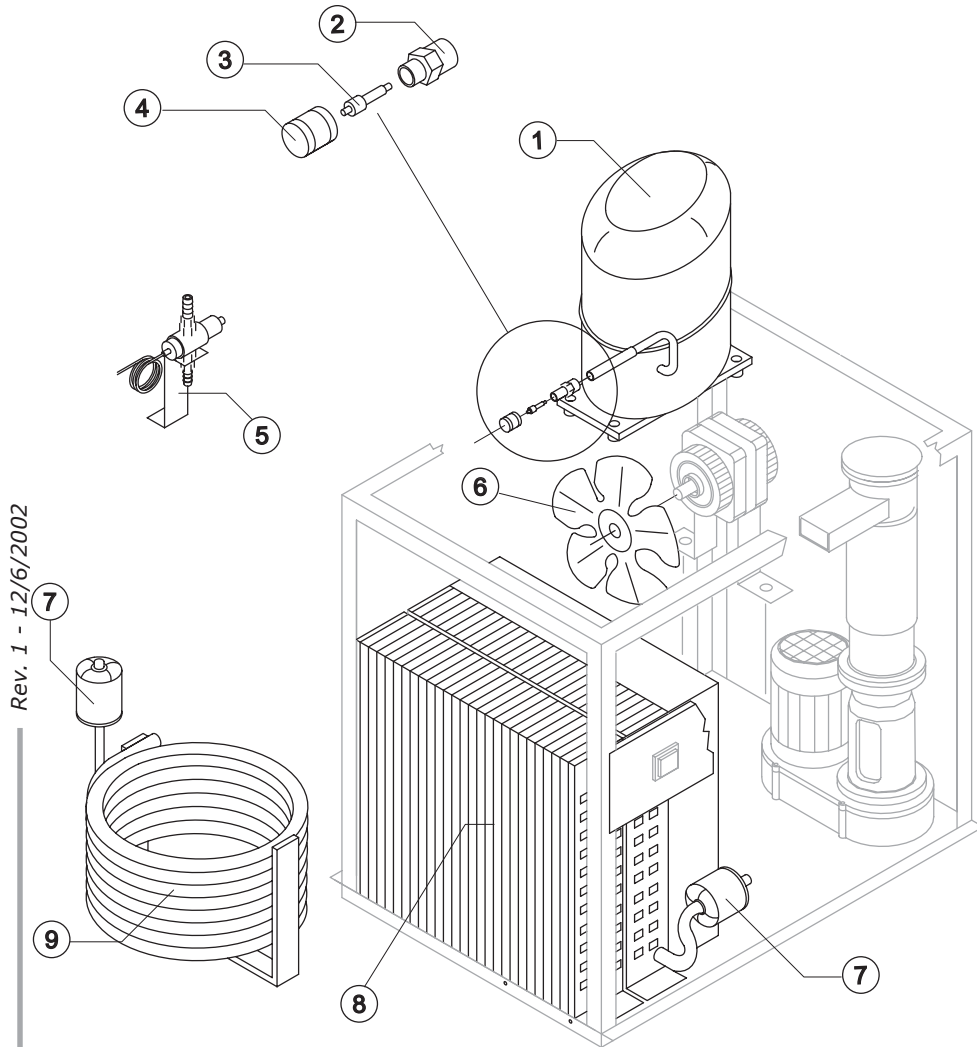
Ref.	Spare Description	Code
6	Suction Fan	20407
8	Air Condenser Assy	C20669

Parts for Water-Cooled Version Only

Ref.	Spare Description	Code
5	Pressure Valve	20210
6	Suction Impeller	10213
9	Water Condenser	14212

Ref. 1 - Compressor

Tension	Code
220/240V 50 Hz	23543
220/230V 60 Hz	23642
400V 3N 50 Hz	23589

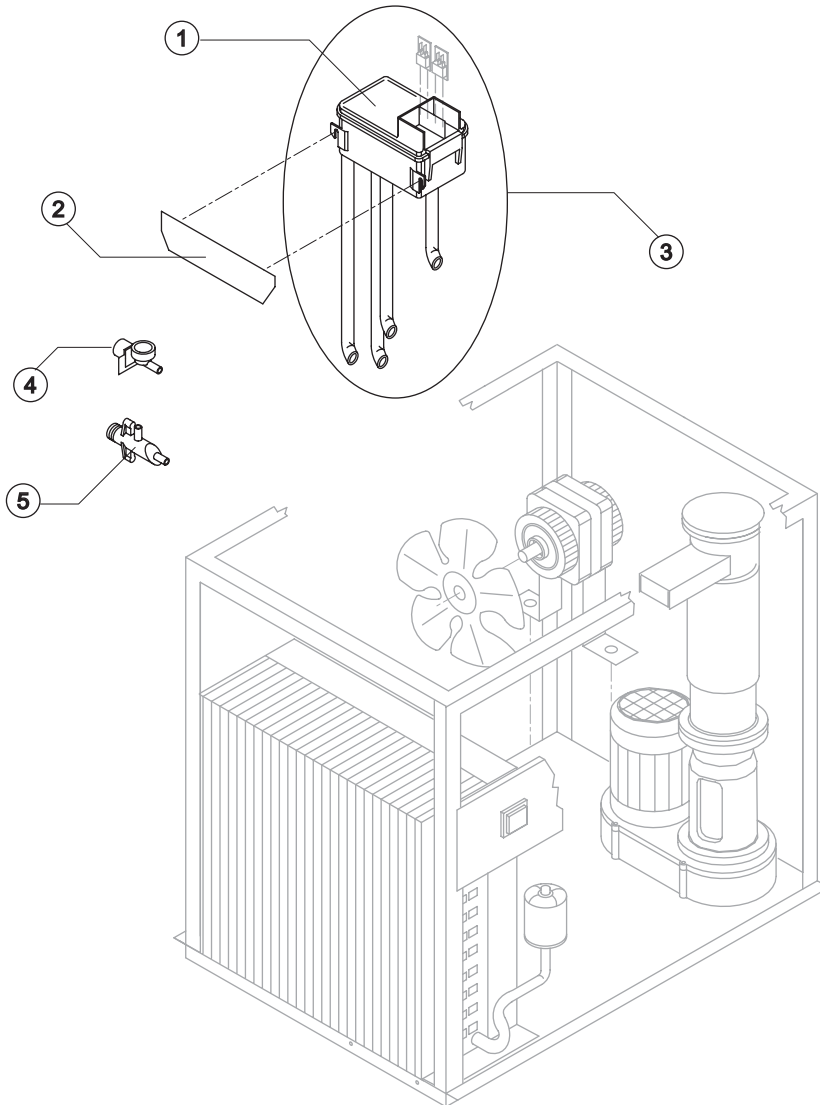


Rev. 1 - 12/6/2002



G500

HYDRAULIC CIRCUIT



Common Parts

Ref.	Spare Description	Code
1	Double Switch Basin	10145
2	Basin Support Plate	21133
3	Double Switch Basin Assembly	C10314

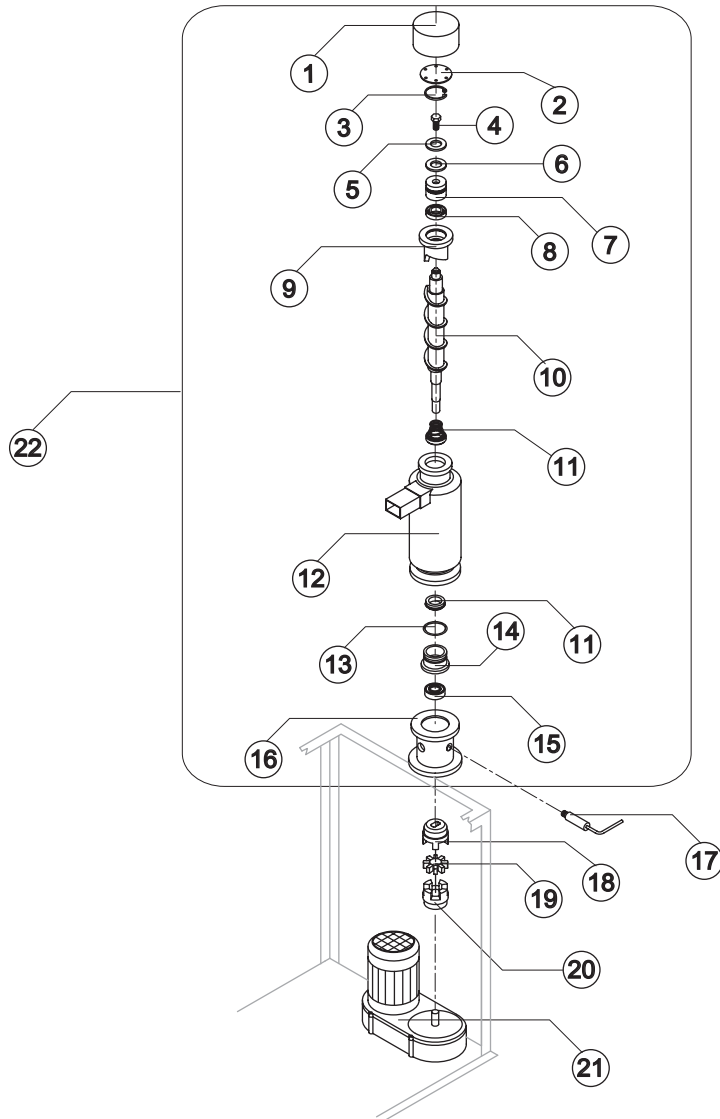
Parts for Air-Cooled Version Only

Ref.	Spare Description	Code
5	Discharges Manifold	C10052

Parts for Water-Cooled Version Only

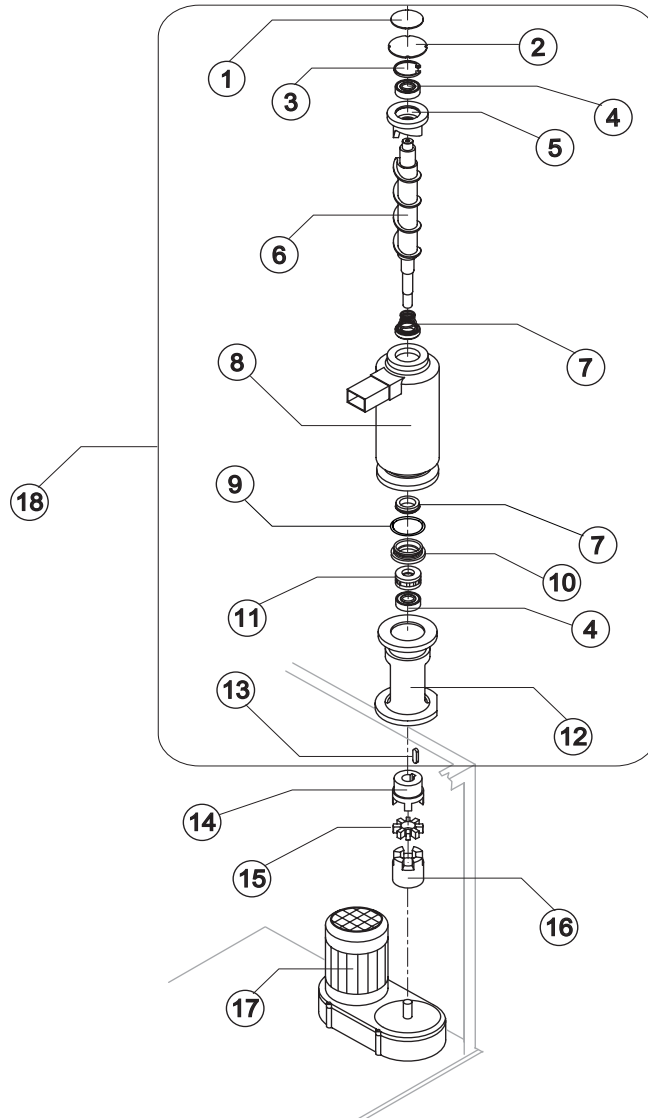
Ref.	Spare Description	Code
4	1 Way Inlet Water Nipple	10368
5	Discharges Manifold	C10053

Rev. 1 - 12/6/2002



Ref.	Spare Description	Code
1	Insulating Top Panel	18165
2	Closing Disk	22670
3	Seeger	20116
4	INOX Screw	Current Version 20664
4	INOX Screw	Till s/n. 169028 15094
5	Shimming Disk	22829
6	Self-Lubricating Disk	20639
7	INOX Bearing	20648
8	Seal Ring	20640
9	Ice Breaker	20645
10	Auger with Screw	C20646
11	Ceramic Seal	20643
12	Foamed Evaporator	C11112
13	OR Gasket 4312 NBR	20205
14	Reduction Ring	20647
15	INOX Bearing	20113
16	Flange	20644
17	Rotation Sensor	23634
18	Semi-Joint Upper	D20642
19	Vibration-Damping Elastomer	20494
20	Semi-Joint Lower	D20493
21	Gearmotor	23638
22	Evaporator Assy	C11113

Rev. 1 - 12/6/2002



Ref.	Spare Description	Code
1	Insulating Panel	18125
2	Closing Disk	22670
3	Seeger	20116
4	INOX Bearing	20113
5	Ice Breaker	20503
6	Auger	See Note 20516
7	Ceramic Seal	20110
8	Foamed Evaporator	C11104
9	OR Gasket 4312 NBR	20205
10	Ring for Ceramic Seal	20504
11	Stainless Steel Thrust Bearing	20111
12	Flange	20482
13	Key	20431
14	Semi-Joint Upper	Current Version D20517
14	Semi-Joint Upper	Till s/n. 81178 D20493
15	Vibration-Damping Elastomer	20494
16	Semi-Joint Lower	D20493
17	Gearmotor	23571
18	Evaporator Assy	See Note C11106

! Ref. 6 - For s/n prior the Code 81179 ask, besides the new Auger (Code 20516) also the Semi-Joint Upper (Code D20517).

Ref. 18 - For s/n prior the Code 81179 ask, besides the new Evaporator Assy (Code C11106) also the Semi-Joint Upper (Code D20517).



G500

ELECTRIC PARTS

Common Parts

Ref.	Spare Description	Code
2	Anti Radio Interference Filter 220/240V 50 Hz	23457
3	Microswitch	23055
4	Inlet Watervalve 1 Way	23115
5	Bin Level Control Switch	C22099
7	Green Light Switch	23327
10	Evaporator Thermostat	23034
11	Bin Thermostat	23421
12	Contactor	23147
13	Electronic Timer	23560
15	Safety Thermostat See Note	23342

Parts for Air-Cooled Version Only

Ref.	Spare Description	Code
6	Fan Motor	23121
8	Anti Radio Interference Filter See Table	-
9	Condenser Pressure Switch	23175

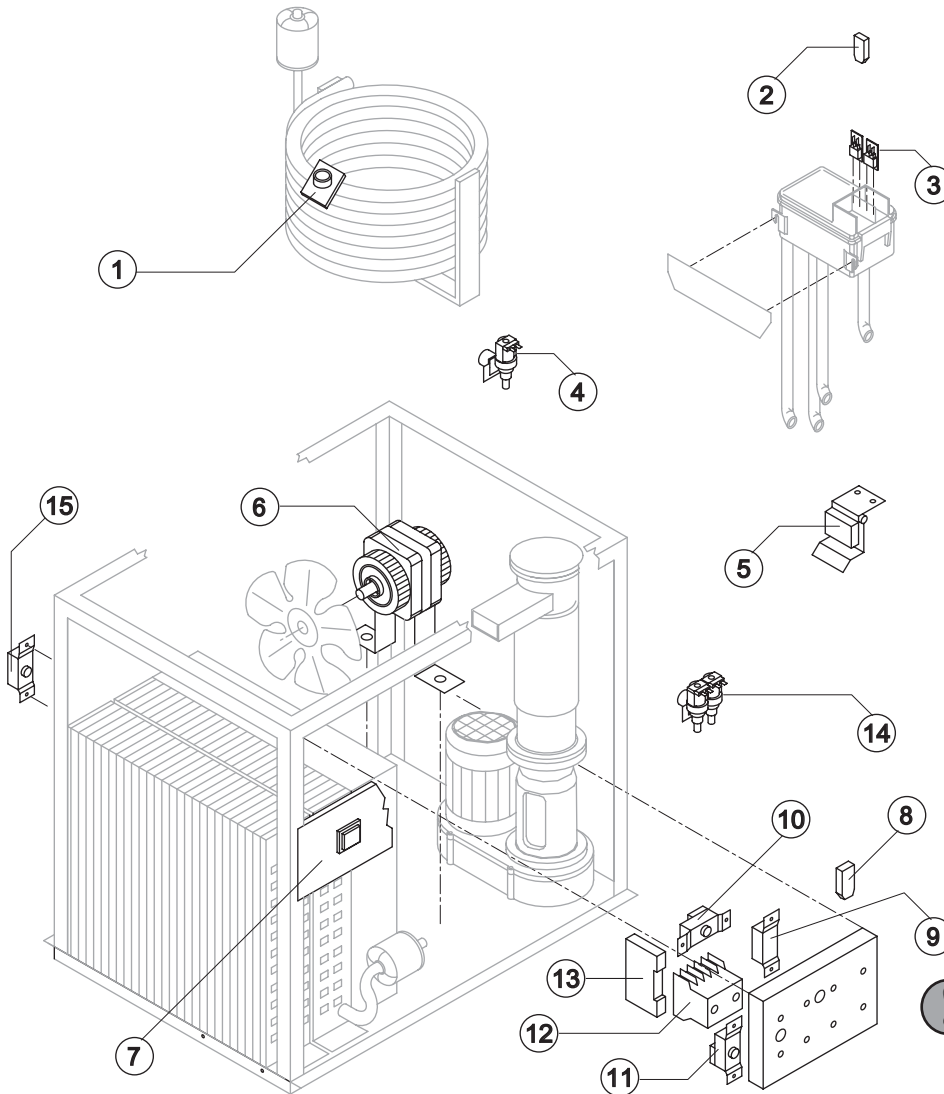
Parts for Water-Cooled Version Only

Ref.	Spare Description	Code
1	Safety Thermostat See Note	C23114
6	Fan Motor	23029
14	Inlet Watervalve 2 Ways Till s/n. 123470	C23192

Ref. 8 - Anti Radio Interference Filter

Tension	Code
220/240V 50 Hz	23459
400V 3N 50 Hz	23459

Rev. 1 - 12/6/2002



! Ref. 1- Except for the S/Nos: 136027-136029-136943-136944, ask for the Code 23114 till the s/n 138024.

Ref. 14 - Till the s/n. 123470, ask for the Code C23192. With regard to all the successive s/n., the Inlet Watervalve 2 Ways has replaced by the Inlet Watervalve 1 Way and by the 1 Way Inlet Water Nipple.

Ref. 15 - Ask for the Code 23342, with regard to the S/Nos starting from 138028 and also for the following ones: 136027 - 136029 - 136943 - 136944.

For all previous S/Nos, ask for the Code C23114 (Water Version).