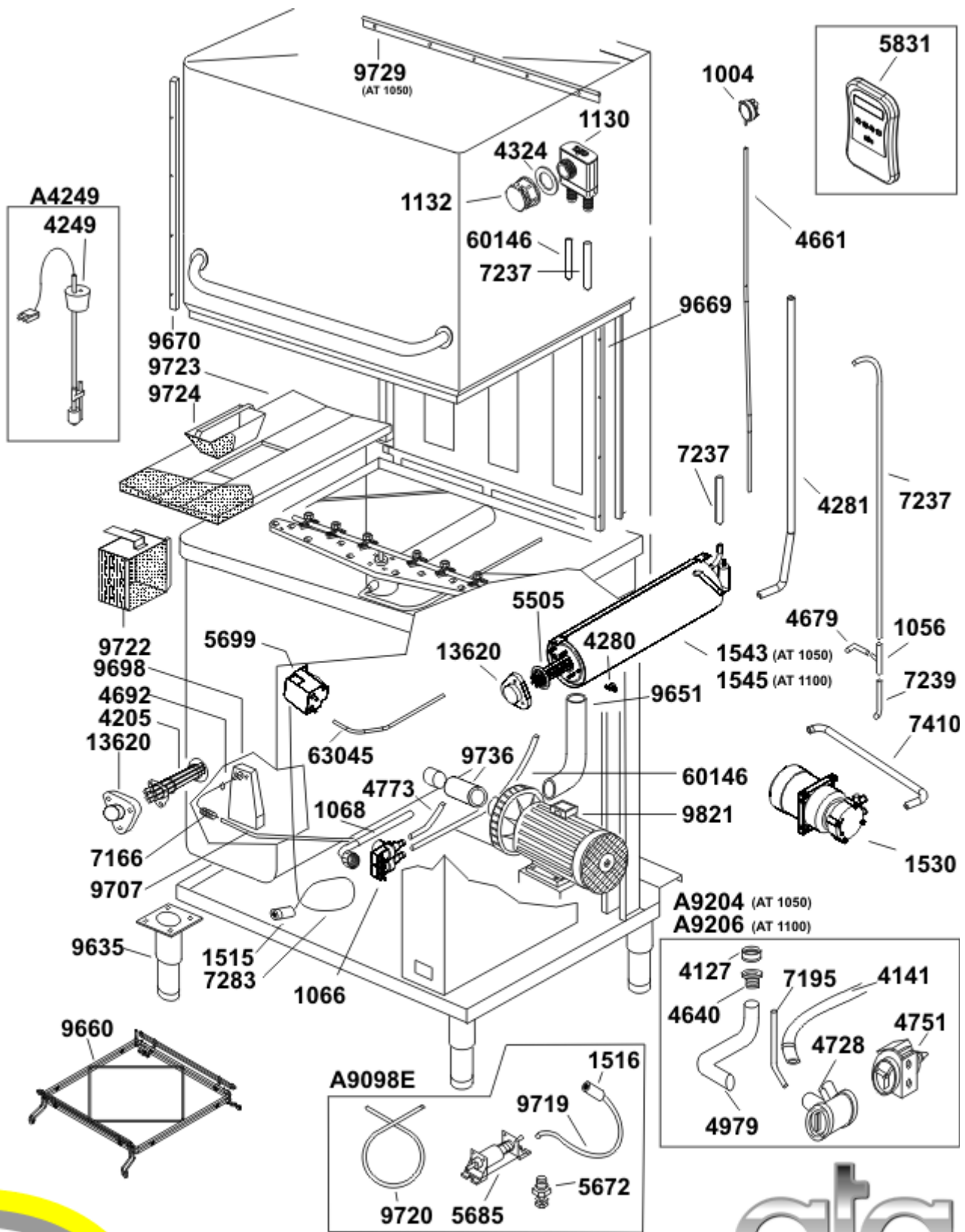


**AT 1050+PRP**  
**AT 1100+PRP** Dis. n° EE.AT.041 Data: 01/01/14



www.atasrl.com

A.T.A. S.R.L. 35026 CONSELVE (PD) ITALY VIALE DEL PROGRESSO 20 - Z. I. PHONE 049/9500555 (4 LINEE R.A.) FAX 049/9500560



**AT 1050 + PRP**  
**AT 1100 + PRP**

Dis. n° EM.AT.040

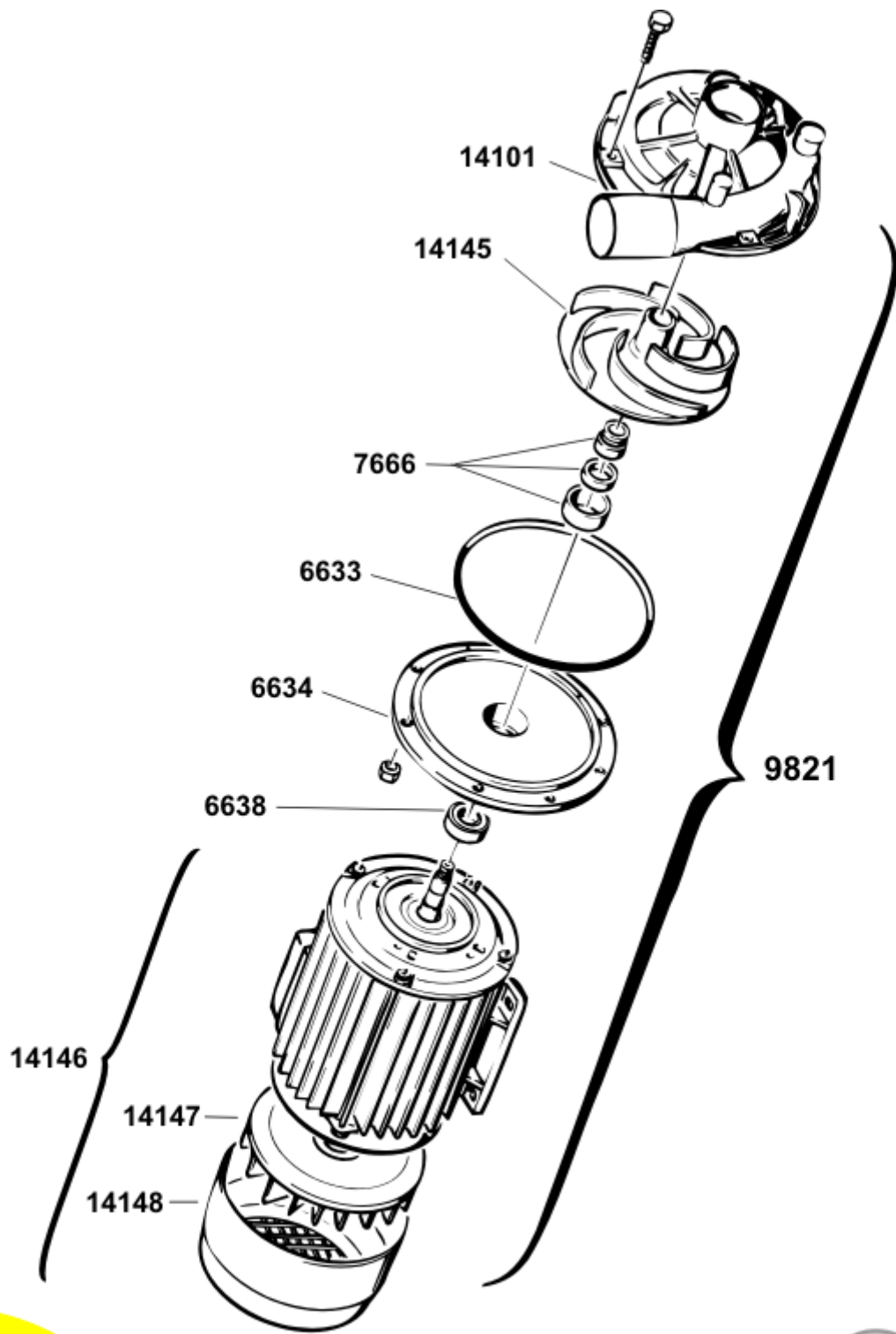
Data: 01/01/14



Professional dishwashers

www.atasrl.com

A.T.A. S.R.L. 35026 CONSELVE (PD) ITALY VIALE DEL PROGRESSO 20 - Z. I. PHONE 049/9500555 (4 LINEE R.A.) FAX 049/9500560



www.atasrl.com

**ELETTROPOMPA  
2 HP**

Modello  
Macchine  
Model  
Model

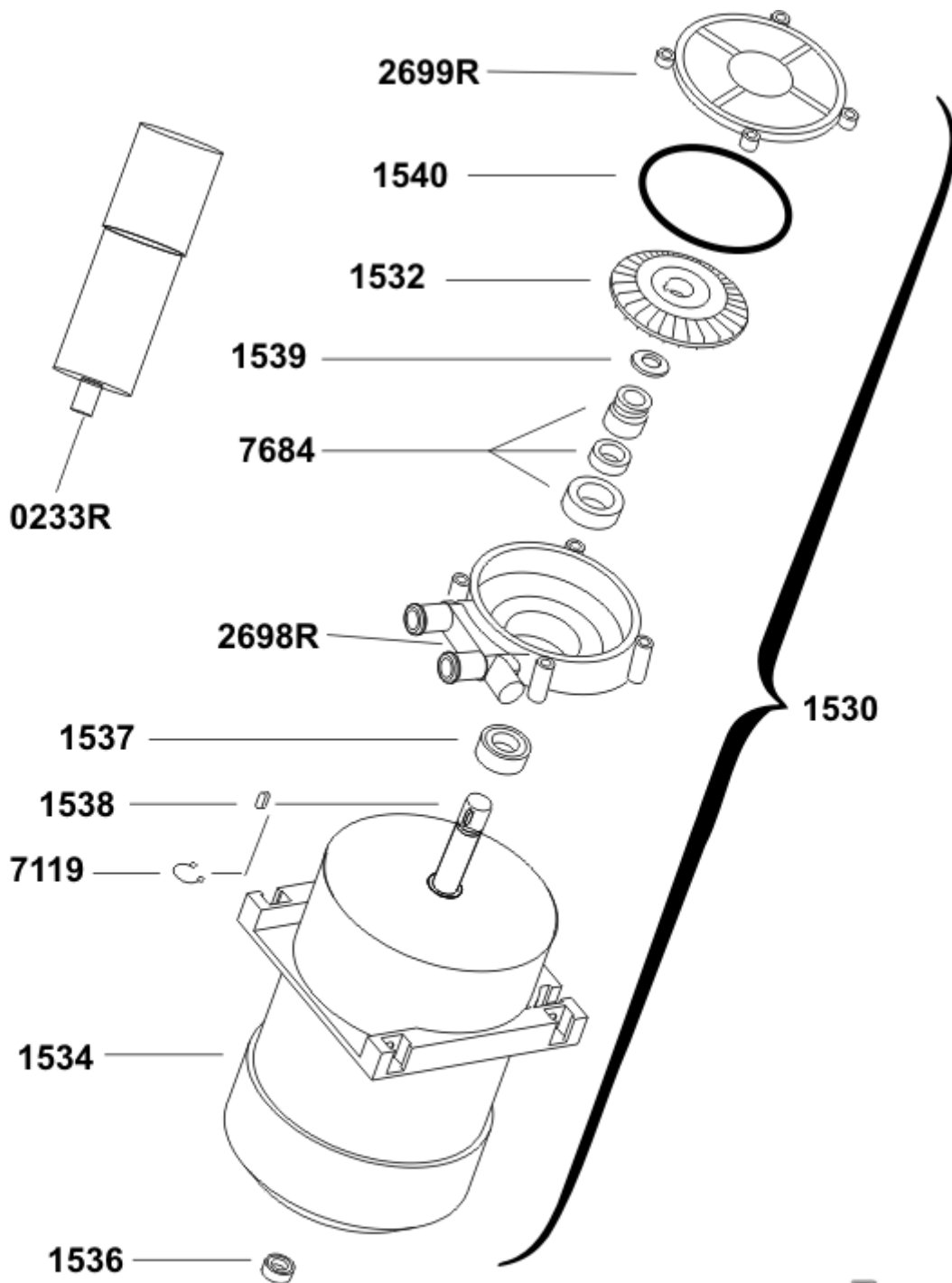
Dis. n° EE.P.026

Data: 01/10/10



Professional dishwashers

A.T.A. S.R.L. 35026 CONSELVE (PD) ITALY VIALE DEL PROGRESSO 20 - Z. I. PHONE 049/9500555 (4 LINEE R.A.) FAX 049/9500560



www.atasrl.com

Modello  
Modello  
Modello  
Modello

**Pompa aum.pressione**

Dis. n° EE.P.027

Data: 01/10/10



**Professional dishwashers**

A.T.A. S.R.L. 35026 CONSELVE (PD) ITALY VIALE DEL PROGRESSO 20 - Z. I. PHONE 049/9500555 (4 LINEE R.A.) FAX 049/9500560