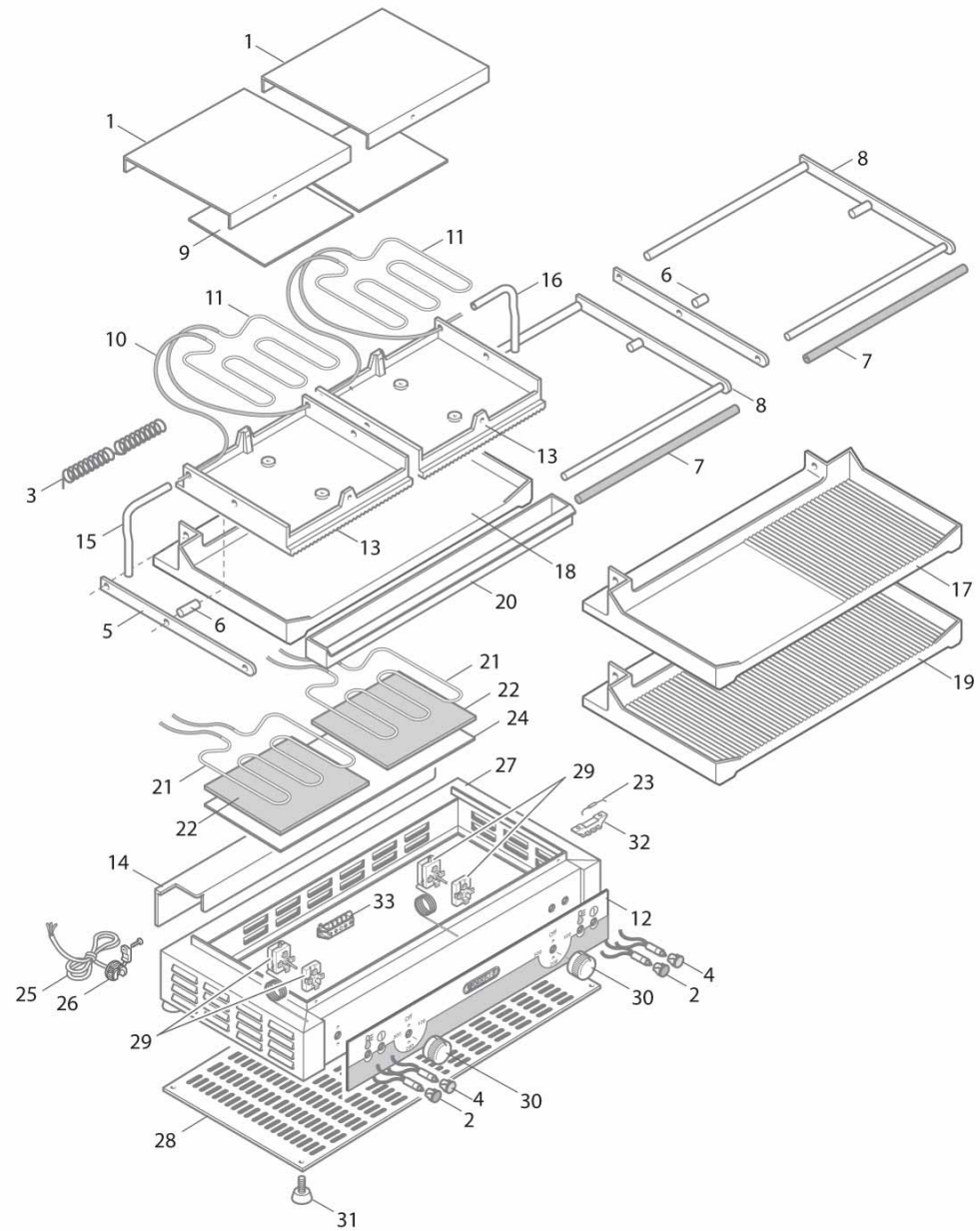




PDR/LD





PDR/LD

Pos. Item	Codice Code	Descrizione	Item Description	Designation articles	Artikelbeschreibung	Decripiòn articulos	N° pezzi - No. pieces							
												PDR/LD		
1	30804200	Coperchio ps/pd-ld	Lid ps/pd-ld	Couvercle ps/pd-ld	Deckel ps/pd-ld	Tapa ps/pd-ld								2
2	30168500	Spia arancio 230v d.10mm150Ø	Orange lamp 230v	Temoin lumineux orange 230v	Orange kontrollampe 230v	Piloto naranja 230v								2
3	30612800	Mo. ps-pd/ld ps-pm-pd/st-sx	Sp. ps-pd/ld ps-pm-pd/st-sx	Re. ps-pd/ld ps-pm-pd/st-sx	Feder ps-pd/ld ps-pm-pd/st-sx	Muelle para pñed. ps-pd/ld ps-pm-pd/st-sx								2
4	30168800	Spia verde 230v d.10mm150Ø	Green lamp 230v	Temoin lumineux vert 230v	Grüne kontrollampe 230v	Piloto verde 230v								2
5	30875700	Manico laterale ps/pm/pd zn	La. handle ps/pm/pd zn	Ma. latÉral ps/pm/pd zn	Seit. griff ps/pm/pd zn	Asa la. ps/pm/pd zn								2
6	30907800	Perno centrale pd (zincato)	Central pin pd	Pivot central pd	(verzinkt) ze. bolzen pd	Perno central pd								2
7	30875500	Manico moplen rosso pd	Red moplen pin pd	Ma. moplen rouge pd	Roter moplen griff pd	Asa moplen roja pd								2
8	30876600	Ass. maniglia pd	Handle assembly pd	Poignee complete pd	Kompletter griff pd	Conjunto asa pd								2
10	30193400	Tu. vetrotex d.5 l.250 mm	Glass tube	Tube verre	Isolierend kleines rohr fuer	Tube vidrio								8
11	30022500	Res.compl.700w-230v ps/pd	Resistance complete 700w-230v	Resistance complete 700w-230v	Obere heiz. 700w 230 v	Resistencia completa 700w-230v								2
12	30899900	Pan. piastra doppia bertos	Berto's adhesive panel	Panneau adhÉsif berto's	Haftendes paneel berto's	Panel adhesivo berto's								1
13	30842500	Fusione cop. rigato ps-pd/ld	Ri. cast iron lid ps-pd/ld	Couvercle en fonte rainurÉe	Geriefter gussdeckel	Tapa estriada de hierro fundido								2
14	30791200	Carter pdl-pdm-pdr/ld	Ca. pdl-pdm-pdr/ld	Ca. pdl-pdm-pdr/ld	Ge. pdl-pdm-pdr/ld	Ca. pdl-pdm-pdr/ld								2
15	30810100	Curvetta passafili dx ps/pm/pd	Rh angle conduit	Co. de protection cÂbles droite	R.gebogenes stÜck draht.	Codo para cables derecho								1
16	30809800	Curvetta passafili sx pd	Lh angle conduit	Co. de protection cÂbles g.che	L. geb. stÜck drahtführung	Codo para cables izquierdo								1
17	30842100	Fusione inferiore pdm/ld	Lower mixed cast iron plate	Plaque inf. en fonte mixte	Gemi. unteres gussstÜck	Placa inf. mixta en hi. fundido								-
18	30842300	Fusione inferiore pdl/ld	Lower smooth cast iron plate	Plaque inf. en fonte lisse	Glattes unteres gussstÜck	Placa inf. lisa en hierro fundido								-
19	30841800	Fusione inferiore pdr/ld	Lower ribbed cast iron plate	Plaque inf. en fonte rainurÉe	Gerieftes unteres gussstÜck	Placa inf. est. en hierro fundido								1
20	30791800	Ass.cassetto raccogliisughi ps	Drip tray ps	Bac recueille-sauces ps	Sossen-auffangschale ps	Cosseton collectisughi ps								1
21	30023500	Res.inf.comp.1000w-230v ps/p	Resistance 1000w-230v ps/p	Resistance 1000w-230v ps/p	Un. heizkoerper 1000 w 230v	Resistencia 1000w-230v ps/p								2
22	30921800	Qua. isomart ps/pd-pm/vtr 210x170x4	Isomart panel 210x170x4	Tableau isomart 210x170x4	Isoli. trenner 210x170x4	Panel isomart 210x170x4								2
23	30978100	Termofusibile 152°C - 15a	Thermofuse 152°C - 15a	Thermofusible 152°C - 15a	Thermoschmelzdraht 152°C - 15a	Termofusibile 152°C - 15a								2
24	30868600	Lastra protez. ferro grande	Large protective sheet	Plaque de protection grande	Grosse schutzplatte	Placa de proteccion grande								1
25	30192600	Cavo 5x2.5 pd/ld-st-sx-vtr	Power su. cable 5 x 2,5mm	Cable d'alim. 5 x 2,5mm	Versorg. 5 x 2,5mm	Cable de alime. 5x2,5 mm.								1
26	30185800	Passacavo 6k 130 bs	Cable guide	Passe-cÂble	Kabelführung	Aislador pasapanel 6k 130 bs								1
27	30863700	Ass.involucro base pd/ld-vtr-st-sx	Base enc. pd/ld-vtr-st-sx	Couv. base pd/ld-vtr-st-sx	HÜlle basis pd/ld-vtr-st-sx	Env. base pd/ld-vtr-st-sx								1
28	30837500	Fondo per pd/ld-st-sx-vtr	Bo. pd/ld-st-sx-vtr	Fond pd/ld-st-sx-vtr	Bodenpdl/ld-st-sx-vtr	Fondo pd/ld-st-sx-vtr					fondo pd/ld-st-sx-vtr			1
29	30064600	Termostato 270°C. + commutatore	270°C thermostat + cycle selector	Ther. 270°C + commutateur de cycle	Ther. 270°C + umschalter zyklus	Termostato 270°C + conmutador								2
30	35877200	Man. rossa p. 6x4.6 a o° ral3000	Red knob p. 6x4.6 a o° ral3000	Ma. rouge p. 6x4.6 a o° ral3000	Drehknopf p. 6x4.6 a o° ral3000	Mando rojo p. 6x4.6 a o° ral3000								2
30	35876200	Manopola rossa p. 6x4.6 a o°	Red knob 6x4.6 o° c	Manette rouge 6x4.6 o° c	Drehknopf 6x4.6 o° c	Mando rojo 6x4.6 o° c								2
31	30684100	Piedi. d.30xm8condado basso h.6mm	Foot h.6mm	Pied h.6mm	Fuss h.6mm	Pata h.6mm								4
32	30184800	Morsettiera laterale fv 77/3	Lateral terminal board fv 77/3	Bornier latÉral fv 77/3	Sei. klemmenleiste fv 77/3	Bornera lateral fv 77/3								2
33	30184200	Morsettiera a 6 poli fv 122 b (lau 10)	Terminal board 6 poles	Bornier 6 poles	Klemmenleiste	Bornera 6 polos								1