



CB 184

LIST OF THE EXPLODED VIEWS



SHELL - ABS

SHELL - STAINLESS STEEL

COOLING SYSTEM

HYDRAULIC CIRCUIT

SPRAYER PUMP

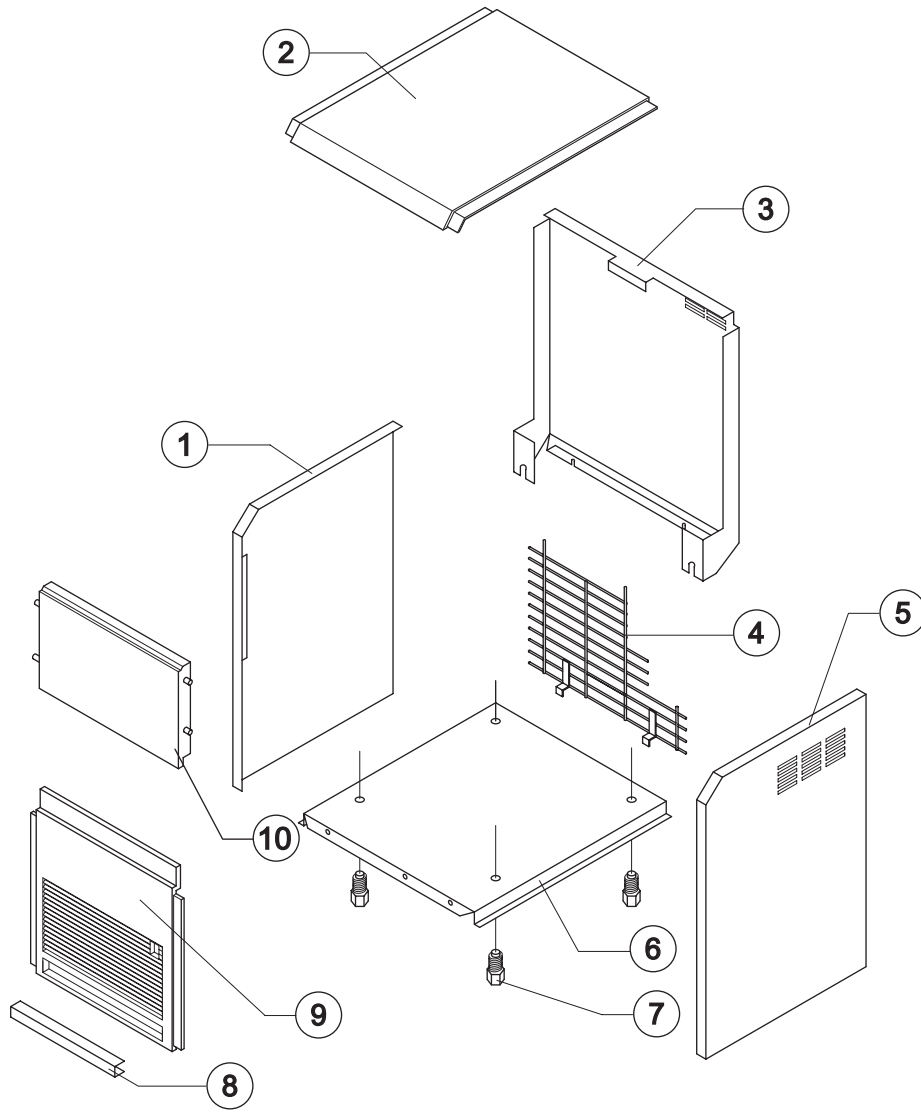
ELECTRIC PARTS

Rev. 9 - 20/05/2009



CB 184

SHELL - ABS



Panels - Blue Version

Ref.	Spare Description	Code
1	Left Side Panel	10061
2	Top	10062
5	Right Side Panel	10060
8	Screws Cover	10069
9	Front Grid Panel	10063
10	Door	10081

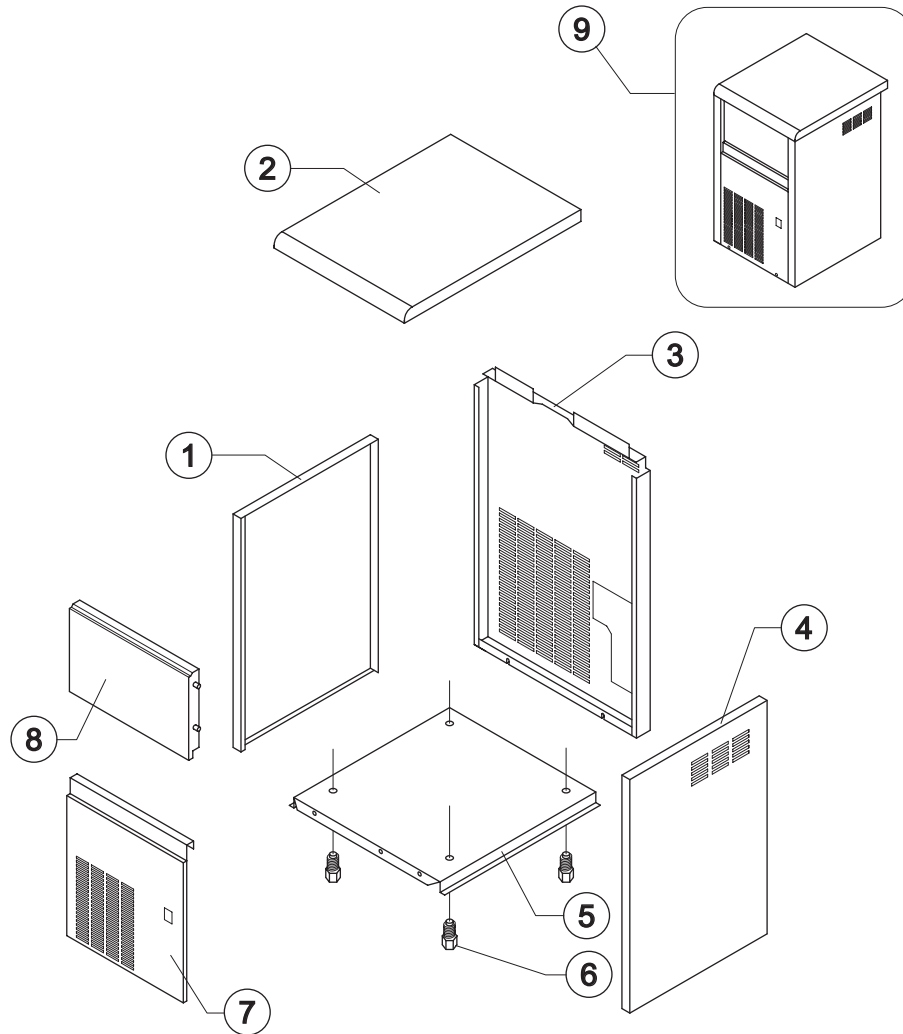
Panels - Grey Version

Ref.	Spare Description	Code
1	Left Side Panel	10105
2	Top	10102
5	Right Side Panel	10099
8	Screws Cover	10098
9	Front Grid Panel	10101
10	Door	10103

Common Finishes

Ref.	Spare Description	Code
3	Rear Panel	21064
4	Rear Grid	D12028
6	Base Plate	21062
7	Foot	10017

Rev. 9 - 20/05/2009



Version With Modular Panels

Ref.	Spare Description	Code	
1	Left Side Panel	22713	
2	Top	C22714	
3	Rear Panel	21235	
4	Right Side Panel	22712	
7	Front Grid Panel	Current Version	221070
7	Front Grid Panel	Till s/n. 385216	22700

Version With Single Shell

Ref.	Spare Description	Code
3	Rear Panel	21194
9	Single Shell	22505



The above version has been used till the s/n 102225. It has been then replaced by the version with modular panels.

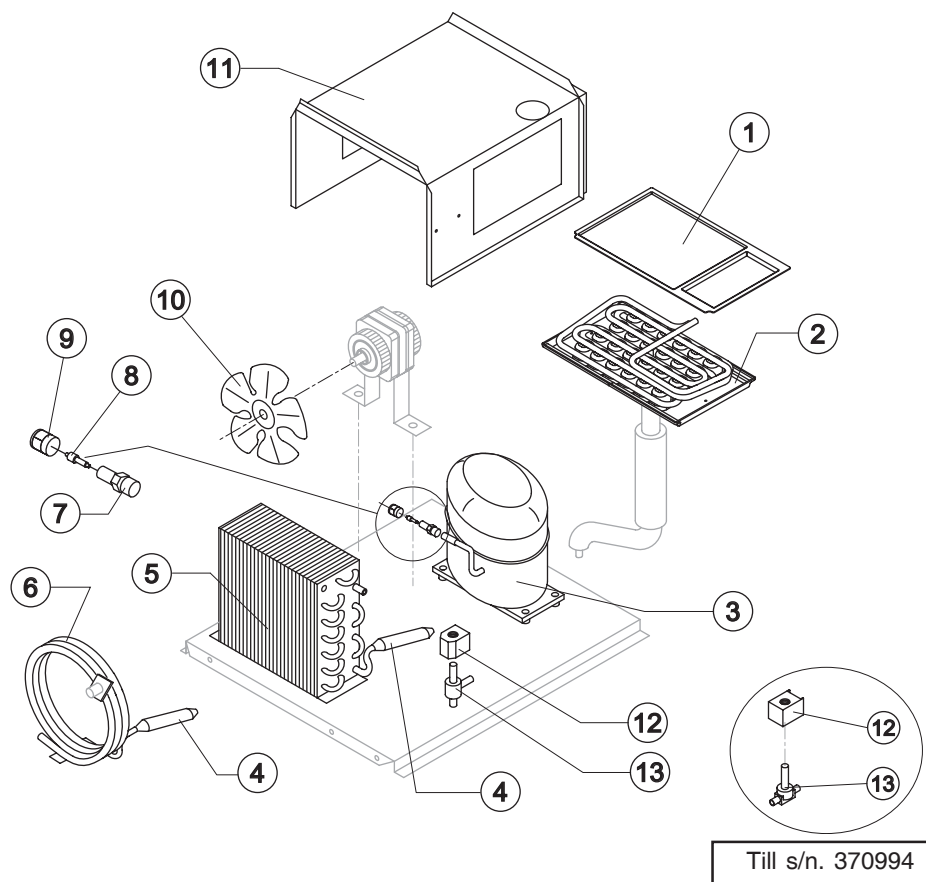
Common Finishes

Ref.	Spare Description	Code
5	Base Plate	21062
6	Foot	10017
8	Dark Grey Door	10277



CB 184

COOLING SYSTEM



Common Parts

Ref.	Spare Description		Code
1	Evaporator Cover Panel	Current Version	10498
1	Evaporator Cover Panel	Till s/n. 230066	10076
2	Evaporator		D10079
3	Compressor	See Table	-
4	Molecular Drier		14009
7	Vacuum-Charge Valve Body		14007
8	Vacuum-Charge Valve Device		14005
9	Vacuum-Charge Valve Plug		14006
11	Bin Support Saddle		22095
12	Hot Gas Valve Coil	See Table	-
13	Hot Gas Valve Body	Current Version	20853
13	Hot Gas Valve Body	Till s/n. 370994	20410

Parts for Air-Cooled Version Only

Ref.	Spare Description	Code
5	Air Condenser	20094
10	Sucking Fan	20095

Parts for Water-Cooled Version Only

Ref.	Spare Description	Code
6	Water Condenser	Current Version 14593
6	Water Condenser	Till s/n. 370994 14348
10	Sucking Fan	Till s/n. 370994 10213

Ref. 3 - Compressor

Tension	Code	Code
	Current Version	Till s/n. 416883
T11	23886	23436
T12	23494	23494
T13	23446	23446
T19	23446	23446

Ref. 12 - Hot Gas Valve Coil

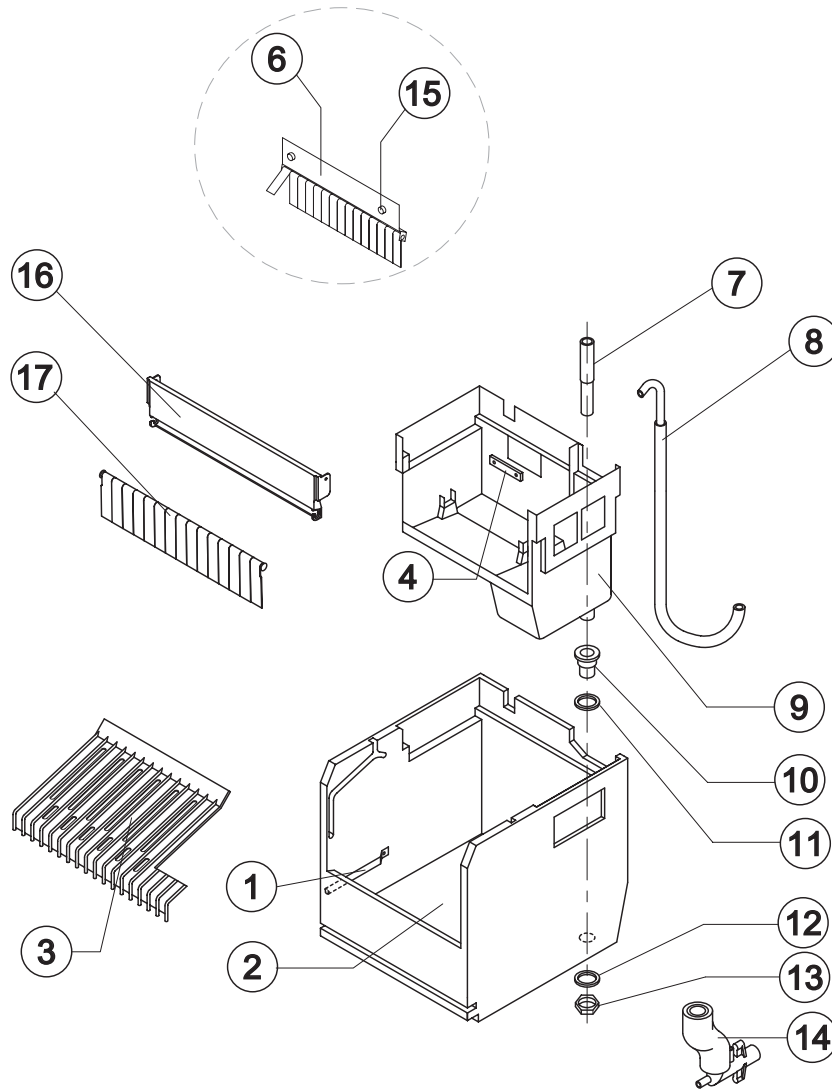
Tension	Code	Code
	Current Version	Till s/n. 370994
T11	23854	23091
T12	23854	23091
T13	23855	23256
T19	23855	23256

Rev. 9 - 20/05/2009



CB 184

HYDRAULIC CIRCUIT



Common Parts

Ref.	Spare Description	Code
1	Bulbe- holder pipe	20520
2	Foamed Bin	11016/E
3	Ice Cubes Slide	10136
4	Slide Keep Plate	10142
6	Panel with Flags	Till s/n. 380376 C22106
7	Overflow Pipe	13028
8	Evaporator Feeding Pipe Assy	C20535
9	Inner Basin	10064
10	Water Outlet Nipple	10472
11	Silicone Gasket	13006
12	Semirigid Polyethylene Gasket	13007
13	Bin Discharge Nut	10096
15	Fixing Screw	Till s/n. 380376 20009
16	Flags ABS Support	Current Version 10530
17	Flags with Rod	Current Version C10532

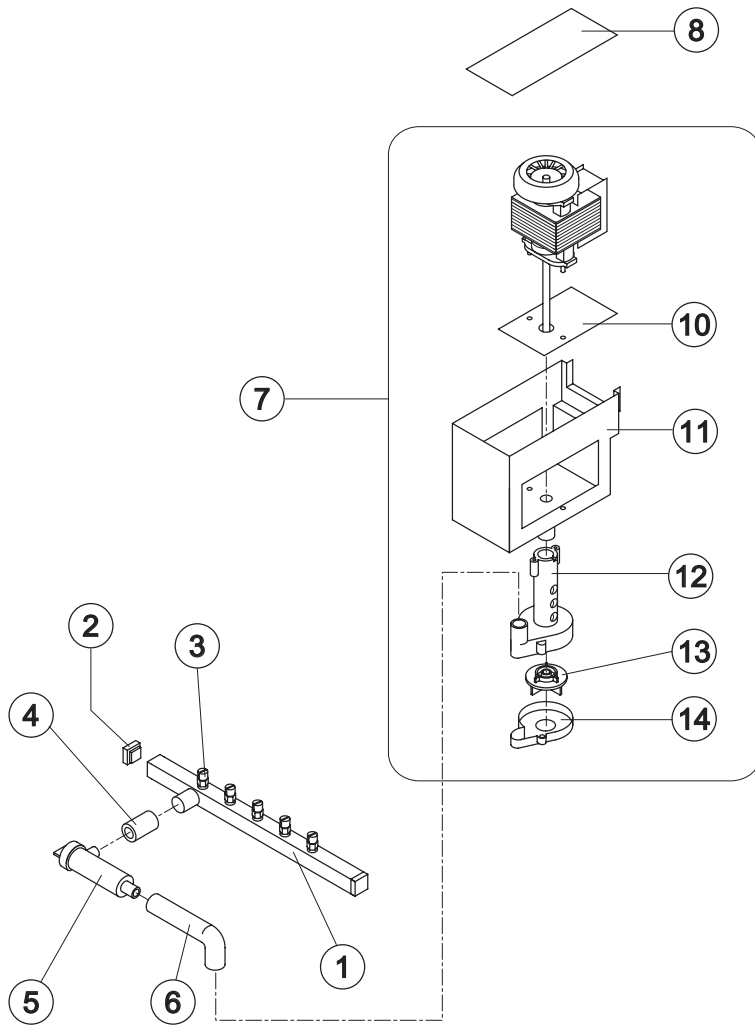
Parts for Air-Cooled Version Only

Ref.	Spare Description	Code
14	Discharges Manifold	C10006

Parts for Water-Cooled Version Only

Ref.	Spare Description	Code
14	Discharges Manifold	C26452

Rev. 9 - 20/05/2009



Ref.	Spare Description	Code
1	Sprayers Bar Assembly	C20147
2	Sprayers Bar Plug	10012
3	Sprayers	D20002
4	Filter-Sprayers Bar Connection Pipe	13056
5	Pump Filter	10139
6	Pump-Filter Connection Pipe	13055
7	Pump Assy	See Table
8	Pump Cover	Till s/n. 230066
10	Heat Dissipator	22430
11	Pump Motor Box	10073
12	Pump Body	10065
13	Pump Impeller	10066
14	Diffusor	10067

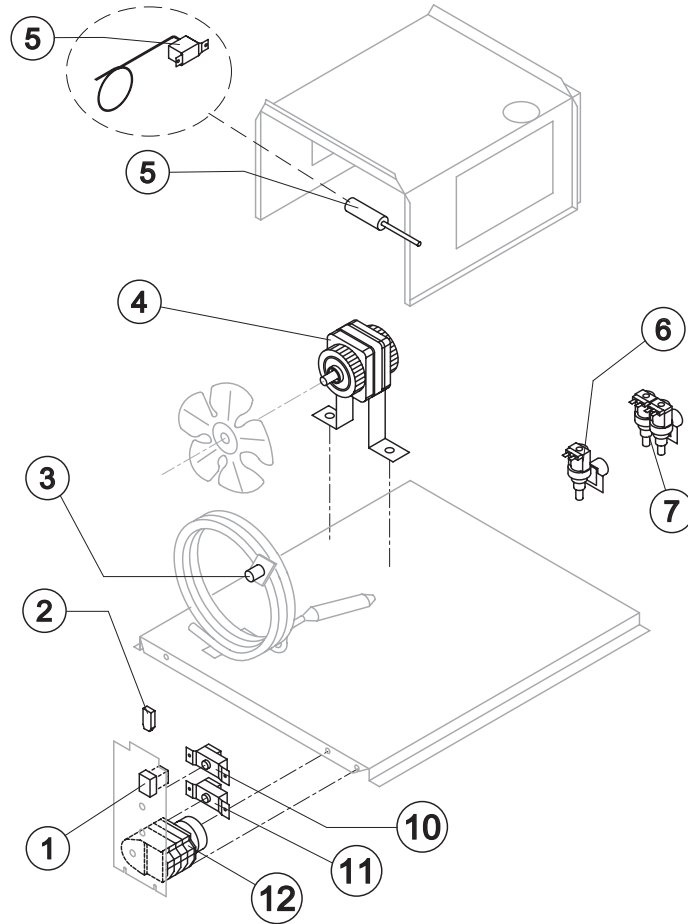
Ref. 7 - Pump Assy

Tension	Code Current Version	Code Till s/n. 416883
T11	C23858	C23076
T12	C23892	C23270
T13	C23893	C23271
T19	C23893	C23271



CB 184

ELECTRIC PARTS



Common Parts

Ref.	Spare Description	Code
1	Green Light Switch (On-Off) Current Version	23327
1	Green Light Switch (On-Off) Till s/n. 385216	23078
10	Bin Thermostat	R23005
11	Evaporator Thermostat	R23591
12	Timer	See Table -

Parts for Air-Cooled Version Only

Ref.	Spare Description	Code
4	Fan Motor	See Table -
6	1 Way- Water Inlet Valve	See Table -

Parts for Water-Cooled Version Only

Ref.	Spare Description	Code
2	Anti Radio Interference Filter Only T11	C23457
3	Safety Thermostat	C23114
4	Fan Motor Till s/n. 370994	See Table
5	Condenser Pressure Switch Current Version	23906
5	Condenser Pressure Switch Till s/n. 447841	See Table
7	2 Ways- Water Inlet Valve	See Table -

Rev. 9 - 20/05/2009

Ref. 4 - Fan Motor

Tension	Code
T11	23029
T12	23029
T13	23683
T19	23683

Ref. 5 - Cond. Pressure Swich

Tension	Code
T11	23175
T12	23175
T13	23175
T19	23680

Ref.6 - 1 Way-Water Inlet Valve

Tension	Code
T11	23497
T12	23497
T13	23499
T19	23499

Ref. 7 - 2 Ways-Water Inlet Valve

Tension	Code
T11	23498
T12	23498
T13	23500
T19	23500

Ref. 12 - Timer

Tension	Code
T11	23247
T12	23247
T13	23258
T19	23258