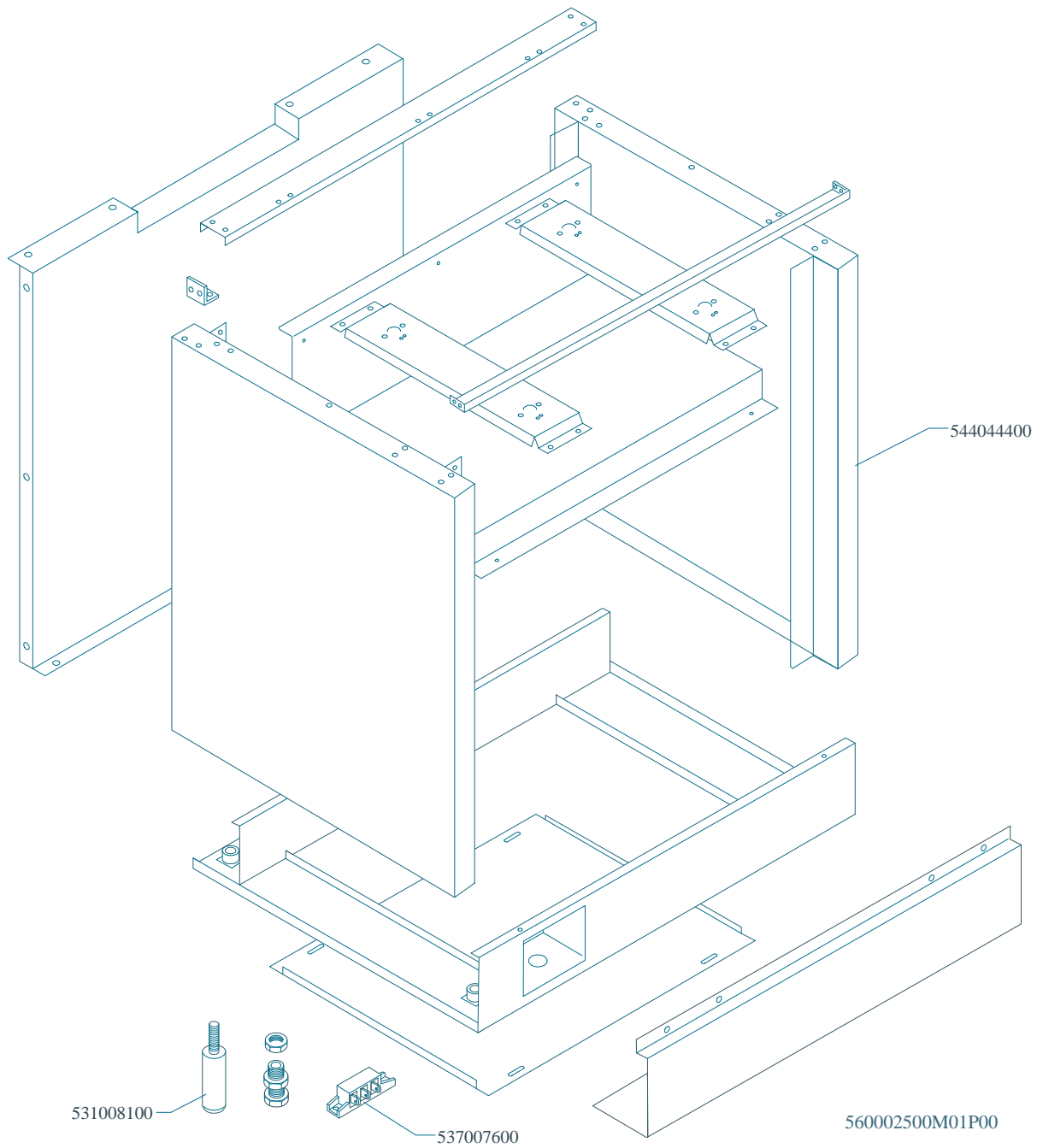


# MAGIC SNACK 60

CUCINE / RANGES / HERDE / CUISINIÈRES / N° 0309

CF-8

CF-8GF CF-8G/A CF-8GEM CF-8GEM/A CFM-8GEM CFM-8GEM/A



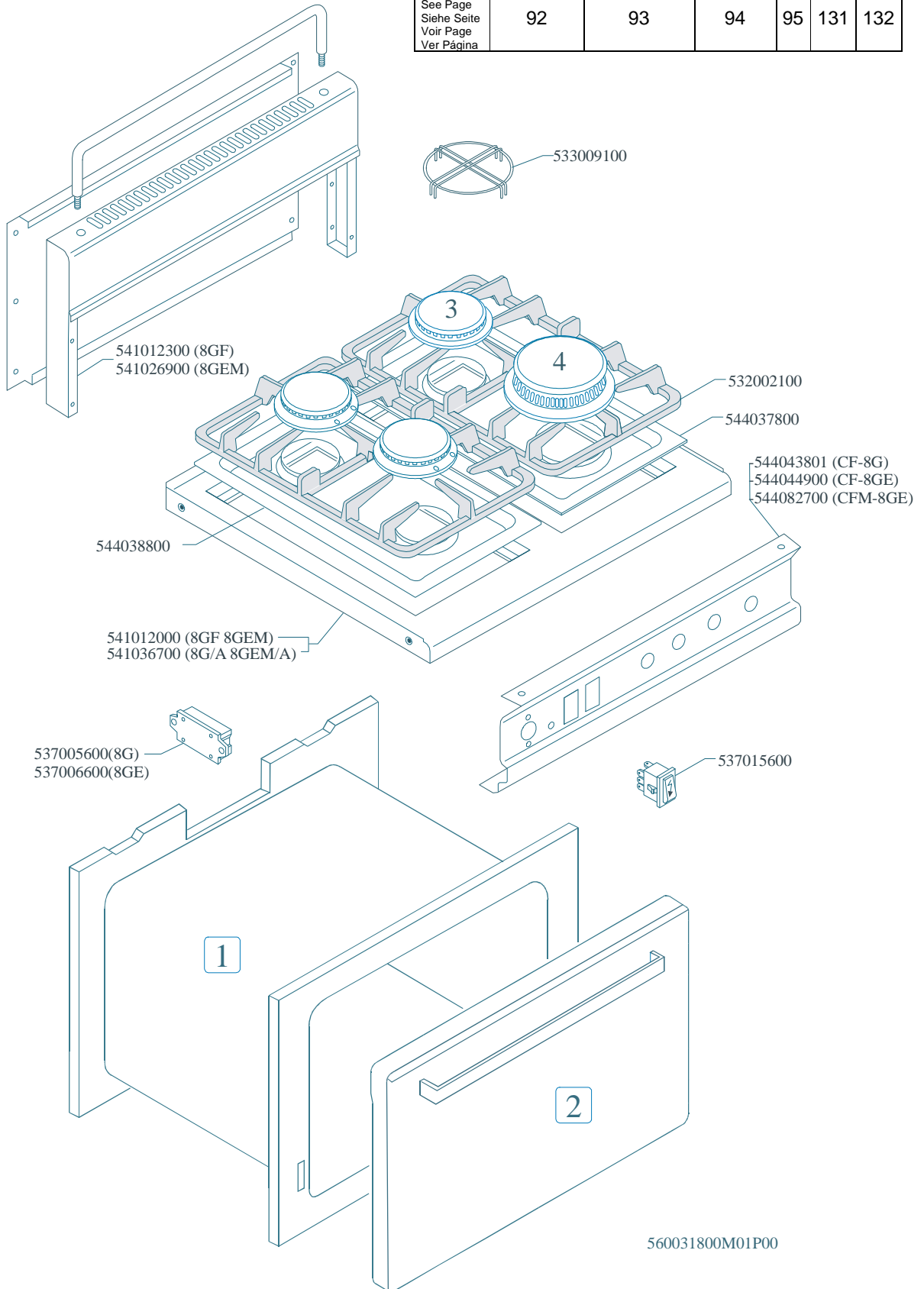
# MAGIC SNACK 60

CUCINE / RANGES / HERDE / CUISINIÈRES / N° 0309

CF-8

CF-8GF CF-8G/A CF-8GEM CF-8GEM/A CFM-8GEM CFM-8GEM/A

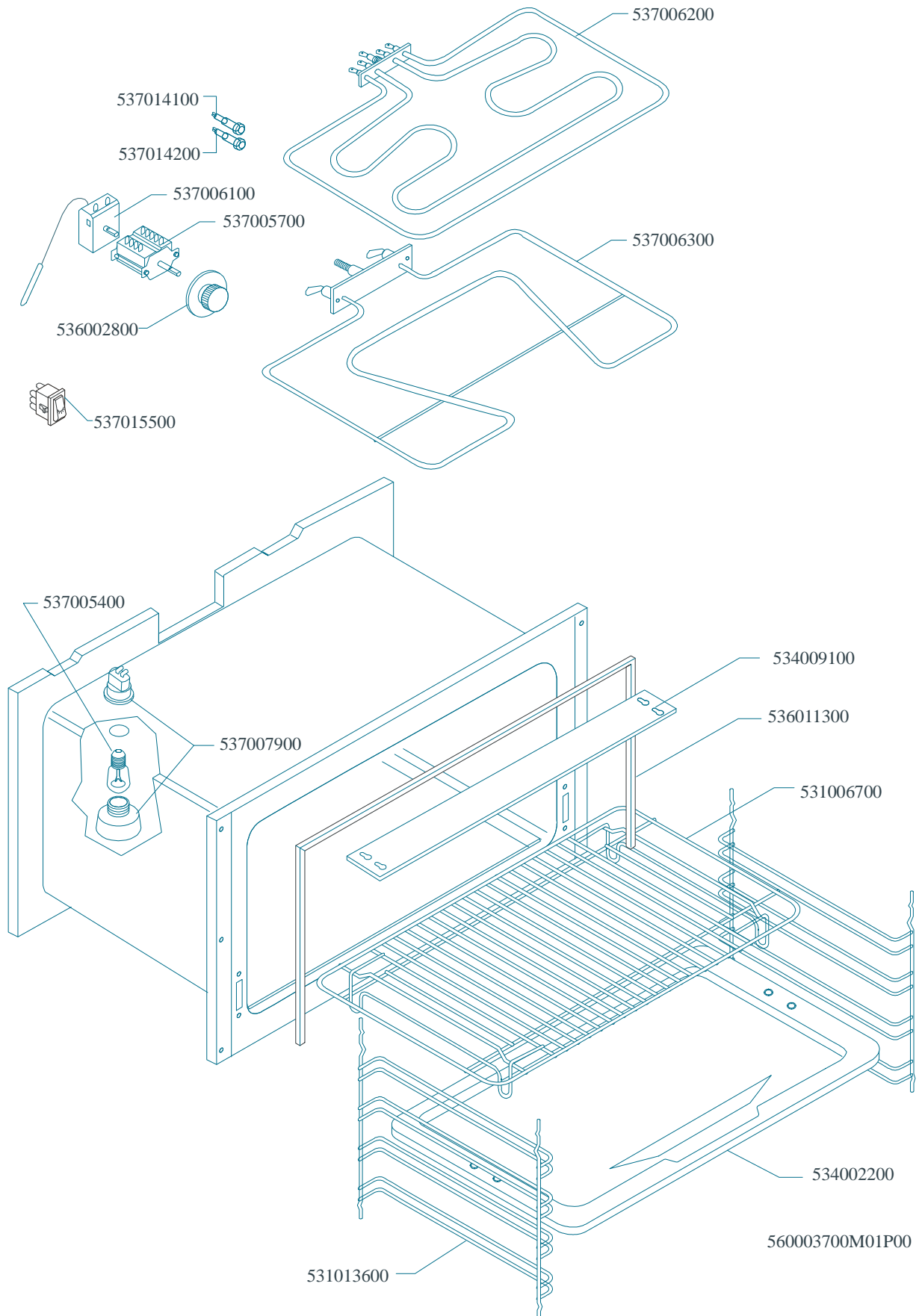
	1CF-8GE	1CFM-8GE	1CF-8G	2	3	4
Vedi Pagina See Page Siehe Seite Voir Page Ver Pàgina	92	93	94	95	131	132



# MAGIC SNACK 60

CUCINE / RANGES / HERDE / CUISINIÈRES / N° 0309  
FORNO / OVEN / BACKOFEN / FOUR / CF-8 10 10/6

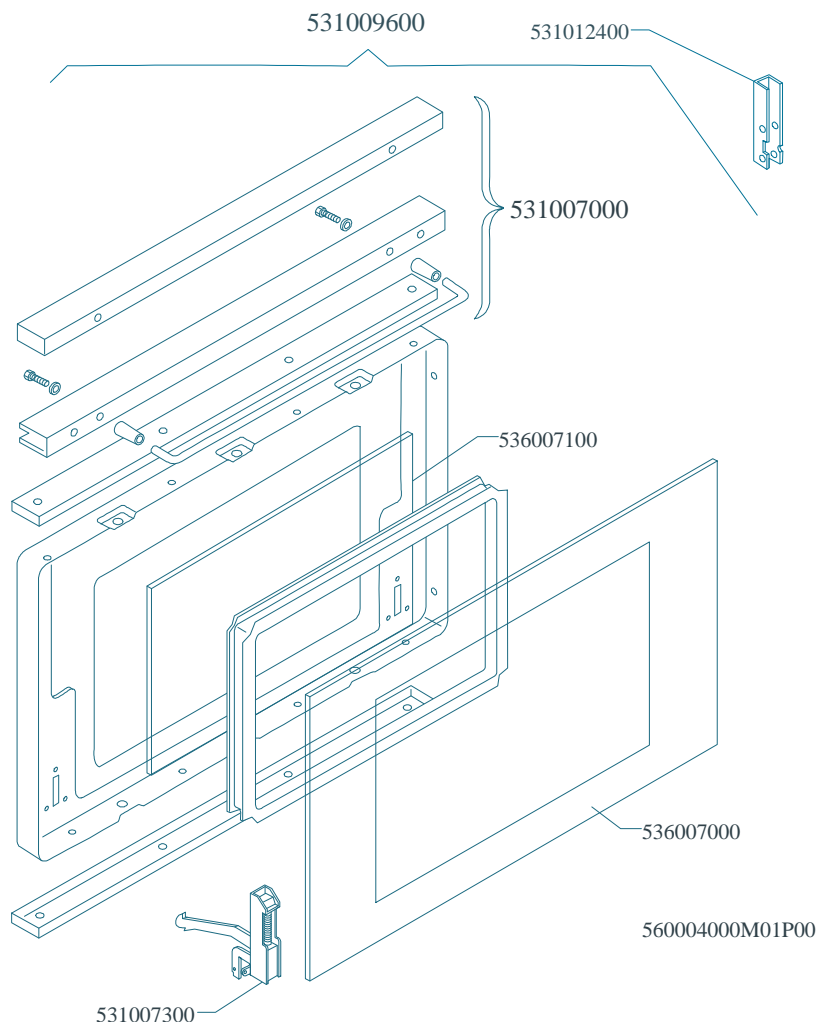
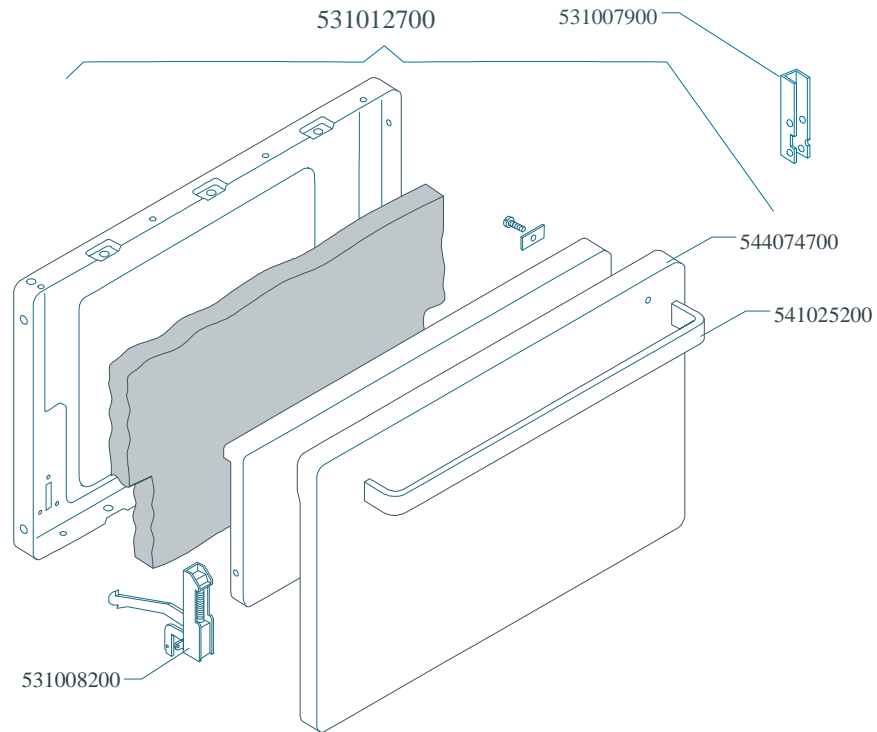
## ELETTRICO STATICO / TRADITIONAL ELECTRIC / STATISCHER ELEKTRO- / ELECTRIQUE STATIQUE



# MAGIC SNACK 60

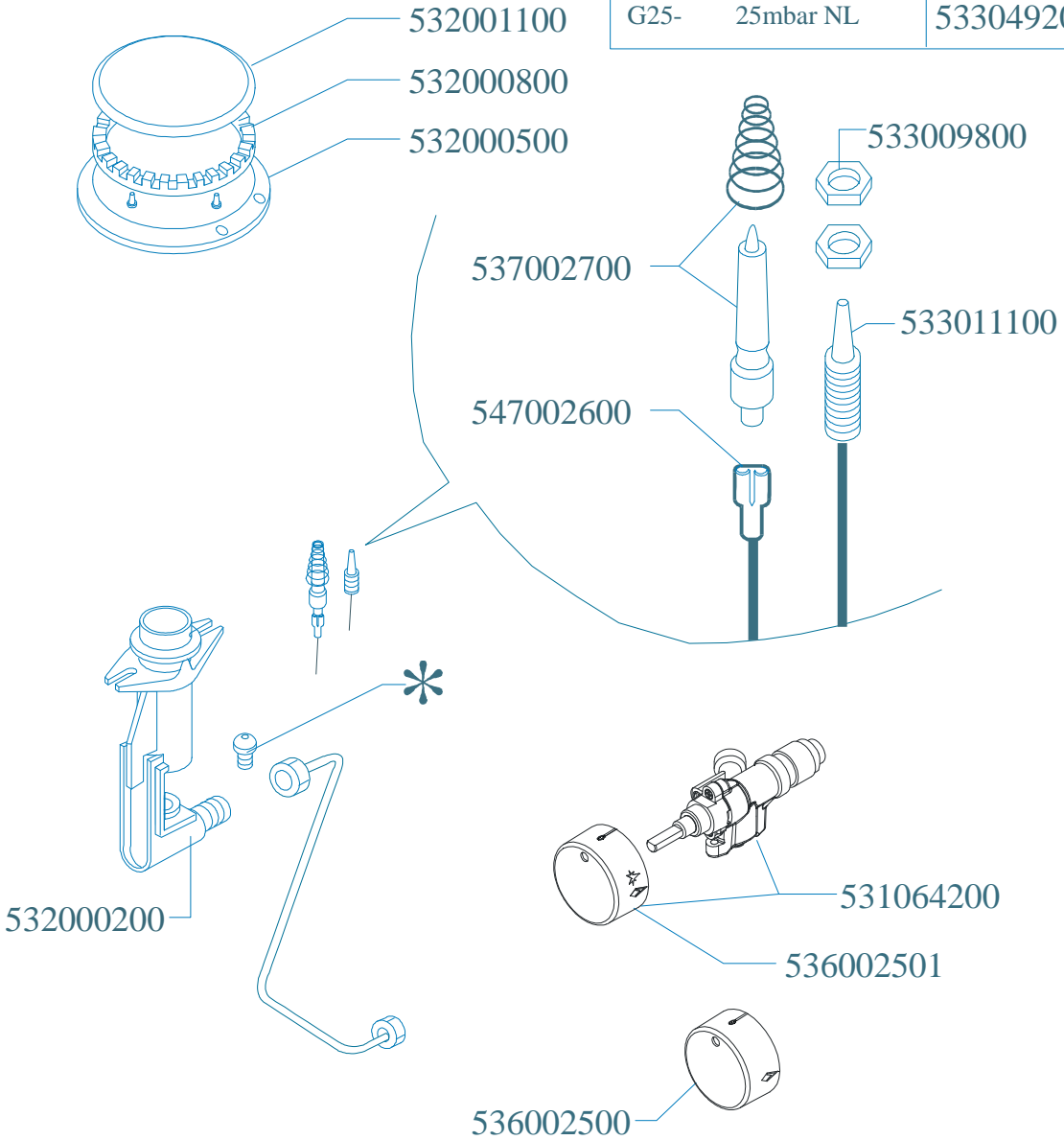
CUCINE / RANGES / HERDE / CUISINIÈRES / N° 0309  
FORNO / OVEN / BACKOFEN / FOUR / CF-8 10 10/6

## PORTE / DOORS / TÜREN / PORTES



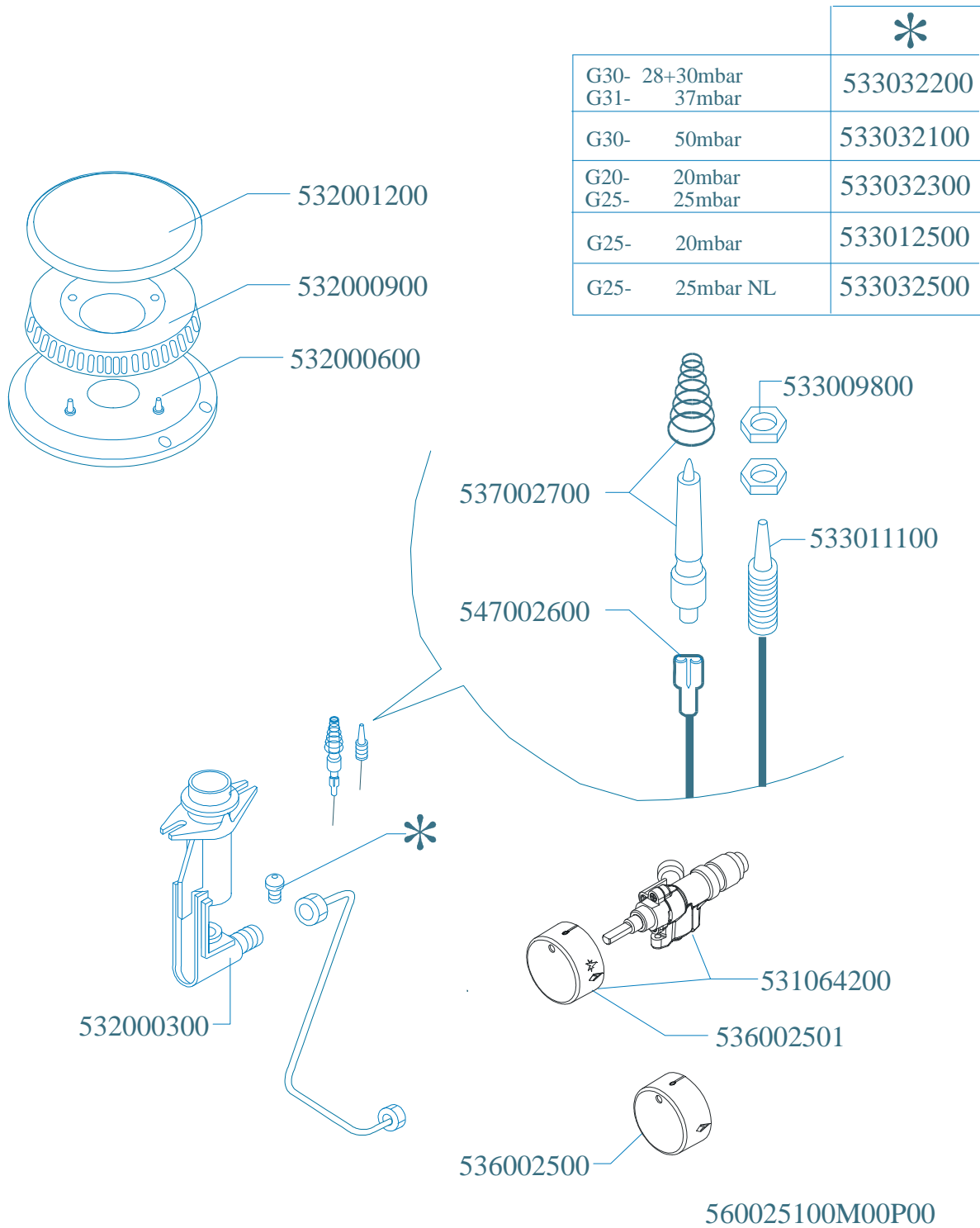
**PC-G R V**

	*
G30- 28+30mbar G31- 37mbar	533032100
G30- 50mbar	533049000
G20- 20mbar G25- 25mbar	533049100
G25- 20mbar	533032400
G25- 25mbar NL	533049200



560025200M00P00

**PC-G UR**



Page	Pos	Code	Description
001		544044400	SIDE 800 RANGE
001		531008100	ADJUSTABLE LEG H9 CHROME
001		537007600	TERMINAL BLOCK SINGLEPHASE 40A
002		533009100	REDUCTION S.60
002		541012300	PERFORATED SPACER 800
002		541026900	NEUTRAL SPACER 800
002		532002100	2 BURNERS GRID
002		544037800	2 BURNER DRIP PAN (QUICK+VERY QUICK
002		544043801	CONTROL PANE CF-8G
002		544044900	CONTROL PANEL CF-8GE
002		544038800	2 BURNER DRIP PAN (QUICK+QUICK)
002		541036700	UPPER PLATE CF/8G
002		537005600	6 FLAME IGNITION CONTROL BOX V230
002		537006600	IGNITION UNIT 4 FLAMES V230
002		537015600	BIPOLAR SWITCH
003		537006200	UPPER OVEN HEATING EL.1000+2000W
003		537006300	LOWER OVEN HEATING EL.W1750 230CF8/
003		537014100	WHITE WARNING LIGHT 250V
003		537014200	GREEN WARNING LIGHT 250V
003		537006100	OVEN THERMOSTAT CF-62/8/10
003		537005700	OVEN COMMUTATOR CF-8/10 EL.
003		536002800	ELECTRIC OVEN KNOB CF-8/10
003		537015500	REDLIGHTED SWITCH
003		537005400	OVEN BULB 15W 300°C
003		534009100	GRILL PROTECTION CF-8/10
003		536011300	OVEN GASKET CF-8/10
003		537007900	OVEN BULB-SOCKET
003		531006700	OVEN GRID FOR CF-8/10
003		534002200	OVEN DRIPPING-PAN CF-8/10
003		531013600	SIDE GRID FOR MAXI/VENTILATED OVEN
004		531012700	STAINLESS STEEL OVEN DOOR CF-8/10
004		531007900	STAINLESS STEEL DOOR WHEEL HOLDER
004		544074700	STAINLESS STEEL OVEN DOOR PANEL
004		541025200	STAINLESS STEEL OVEN DOOR HANDLE
004		531008200	STAINLESS STEEL DOOR HINGE CF-8/10
004		531009600	COMPLETE GLASS OVEN DOOR
004		531012400	GLASS DOOR WHEEL HOLDER CF-8/10
004		531007000	OVEN GLASS DOOR HANDLE CF-8/10
004		536007100	INTERNAL GLASS OVEN DOOR CF-8/10
004		536007000	EXTERNAL GLASS OVEN DOOR CF8/10
004		531007300	GLASS DOOR HINGE CF-8/10
005		533032100	NOZZLE §82 CH9*10 CE G-R
005		533049000	NOZZLE §72 CH9*10 F-R
005		533049100	NOZZLE §125 CH9*10 H-R
005		533032400	NOZZLE §135 CH9*10 L-R
005		533049200	NOZZLE §130 CH9*10 AARD.L-R
005		532001100	QUICK BURNER COVER IN CAST IRON
005		532000800	QUICK BURNER RING
005		532000500	QUICK BURNER SUPPORT 2HOLES
005		537002700	PLUG WITH SPRING H57
005		547002600	HIGH-VOLTAGE CABLE L=500

Page	Pos	Code	Description
005		533009800	BRASS NUT M8*1
005		533011100	THERMOCOUPLE 600 M8*1
005		531064200	GAS COCK 22-3403 WITH KNOB
005		532000200	QUICK BURNER VENTURI
005		536002501	COCK KNOB SNACK PC
005		536002500	COCK KNOB
006		533032200	NOZZLE §96 CH9*10 CE G-UR
006		533032100	NOZZLE §82 CH9*10 CE G-R
006		533032300	NOZZLE §142 G20
006		533012500	NOZZLE §160 CH9*10 L-UR
006		533032500	NOZZLE §150 CH9*10 AARD.L-UR
006		532001200	ULTRA-QUICK BURNER COVER IN CAST IR
006		532000900	ULTRA-QUICK BURNER RING
006		532000600	ULTRA-QUICK BURNER SUPPORT 2HOLES
006		533009800	BRASS NUT M8*1
006		537002700	PLUG WITH SPRING H57
006		533011100	THERMOCOUPLE 600 M8*1
006		547002600	HIGH-VOLTAGE CABLE L=500
006		531064200	GAS COCK 22-3403 WITH KNOB
006		532000300	ULTRA-QUICK BURNER VENTURI
006		536002501	COCK KNOB SNACK PC
006		536002500	COCK KNOB