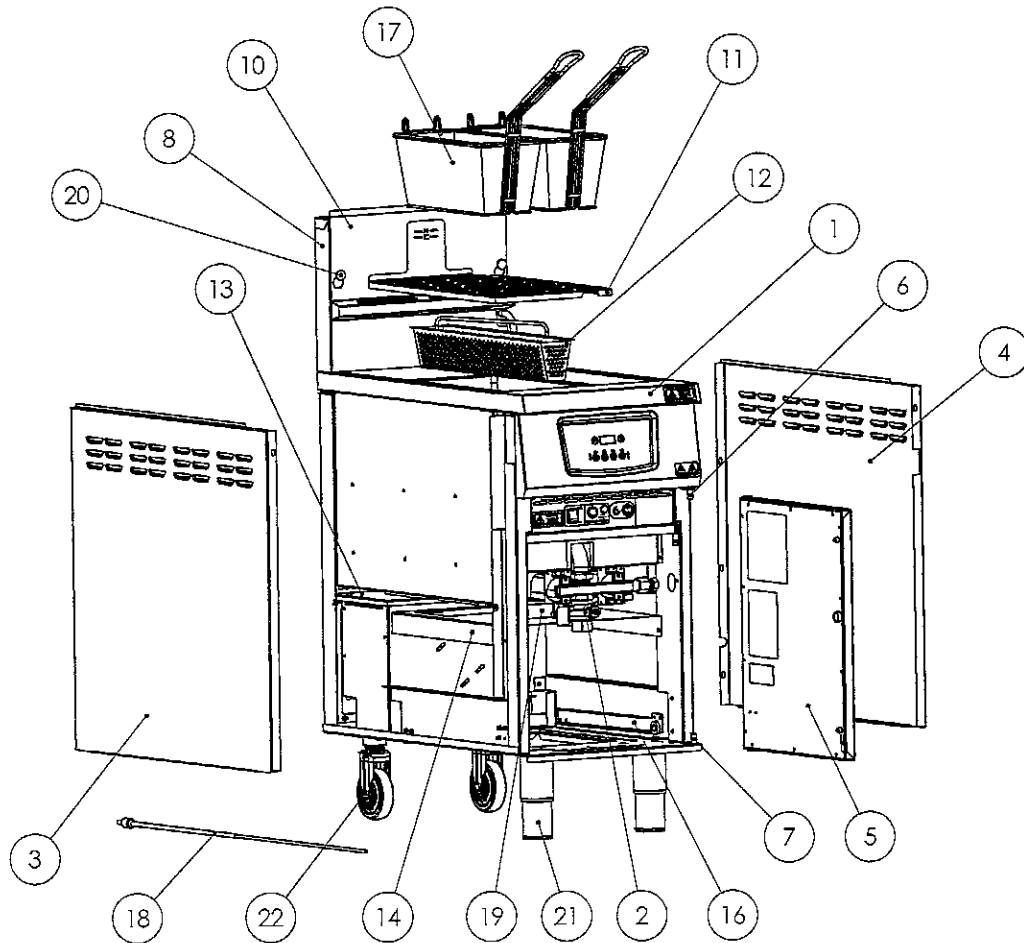


MODEL SHOWN G402F



ITEM	DESCRIPTION	SPARES No
1	HOB AND PAN ASSEMBLY C/W COMBUSTION CHAMBER	536300005
2	DRAIN VALVE C/W COMPRESSION FITTING	536300006
3	LH OUTER SIDE	536300007
4	RH OUTER SIDE	536300008
5	DOOR ASSEMBLY	536300009
6	TOP DOOR HINGE	536430108
7	BOTTOM DOOR HINGE	536430109
8	FLUE ASSEMBLY	536300010
9	FLUE ASSEMBLY (NON FILTRATION)	536300011
10	BASKET HANGING RAIL	536300012
11	FISH PLATE	536300013
12	CRUMB CATCHER	536300014
13	PUMP COVER	536300015
14	BUCKET COVER	536300016
15	LH BUCKET RUNNER (NOT SHOWN)	731350009
16	RH BUCKET RUNNER	731350010
17	CHIP BASKET	536430126
18	DRAIN CLEANING TOOL	536300017
19	DRAIN HANDLE BRACKET KIT	536300018
20	HANGING RAIL SCREW SET	536430082
21	ADJUSTABLE FEET	731350013
22	CASTORS	731350014

**CLEARED FOR PRODUCTION**

ISSUE	MOD No	ALTERATION	DRAWN BY	DATE
A	1235/5	ISSUED FOR PRODUCTION	S.MOONEY	2/2/11

NO REPRODUCTION OR PUBLICATION OF THIS DRAWING MAY BE MADE AND NO ARTICLE MAY BE MANUFACTURED OR ASSEMBLED IN ACCORDANCE WITH THIS DRAWING WITHOUT PRIOR WRITTEN CONSENT. THIS PROHIBITION IS A TERM OF ANY CONTRACT RELATING TO THIS DRAWING. RIGHTS RESERVED UNDER THE COPYRIGHT ACT: 1936 AS AMENDED BY THE DESIGN COPYRIGHT ACT 1988

IF IN DOUBT ASK  
DO NOT SCALE  
FIRST ANGLE PROJECTION

UNLESS OTHERWISE SPECIFIED:  
DIMENSIONS ARE IN MILLIMETERS  
TOLERANCES:  
LINEAR: ±0.3mm  
ANGULAR: ±0.5 DEG

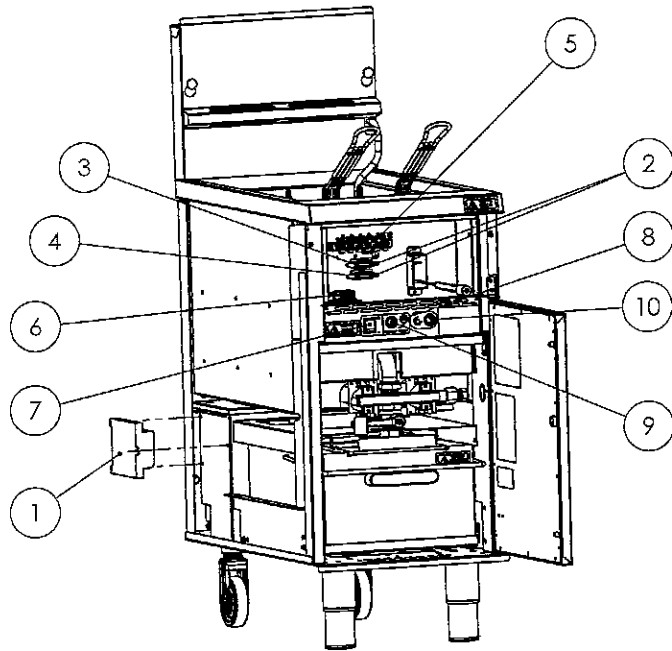
DEBUR AND  
BREAK SHARP EDGES

WEIGHT: 34546.86g



DRAWN: S.MOONEY	PRODUCT	<b>G401 G402 G401F &amp; G402F FRYER</b>	
DATE: 2/2/11	TITLE	<b>SPARES - MAIN BODY</b>	
SCALE: 1:1	DRAWING NUMBER	<b>AD48148</b>	ISSUE <b>A</b>
MATL:	PART No:		
THICKNESS:	FINISH:		
BIN No:			

MODEL SHOWN G402F



ITEM	DESCRIPTION	UNIT	SPARES No
1	IGNITION BOX		536300024
2	FUSE HOLDER		734310510
3	2 AMP ANTI SURGE FUSE		731050002
4	5 AMP ANTI SURGE FUSE	FILTER MODELS ONLY	536430009
5	MAINS TERMINAL BLOCK		731000006
6	STEP DOWN TRANSFORMER	402 ONLY	731360002
7	ROCKER SWITCH		732950006
8	AMBER NEON		735010380
9	MOMENTARY SWITCH		535770068
10	PUMP SWITCH	FILTER MODELS ONLY	536430029
11	CONTROL PANEL WIRING LOOM (NOT SHOWN)	401 ONLY	731350028
12	CONTROL PANEL WIRING LOOM (NOT SHOWN)	402 ONLY	731360003
13	MAINS CABLE (NOT SHOWN)		536300019
14	BASE LOOM WIRING HARNESS (NOT SHOWN)	FILTER MODELS ONLY	536300020
15	BASE LOOM WIRING HARNESS(NON FILTRATION)(NOT SHOWN)	NON FILTER MODELS	536300021
16	BURNER EARTH (NOT SHOWN)		536300022
17	PILOT HT LEAD KIT (NOT SHOWN)		536300023

**CLEARED FOR PRODUCTION**

ISSUE	MOD No	ALTERATION	DRAWN BY	DATE
A	1235/5	ISSUED FOR PRODUCTION	S.MOONEY	4/2/11

IF IN DOUBT ASK  
DO NOT SCALE  
FIRST ANGLE PROJECTION

UNLESS OTHERWISE SPECIFIED:  
DIMENSIONS ARE IN MILLIMETERS  
TOLERANCES:  
LINEAR: ±0.5mm  
ANGULAR: ±0.5 DEG

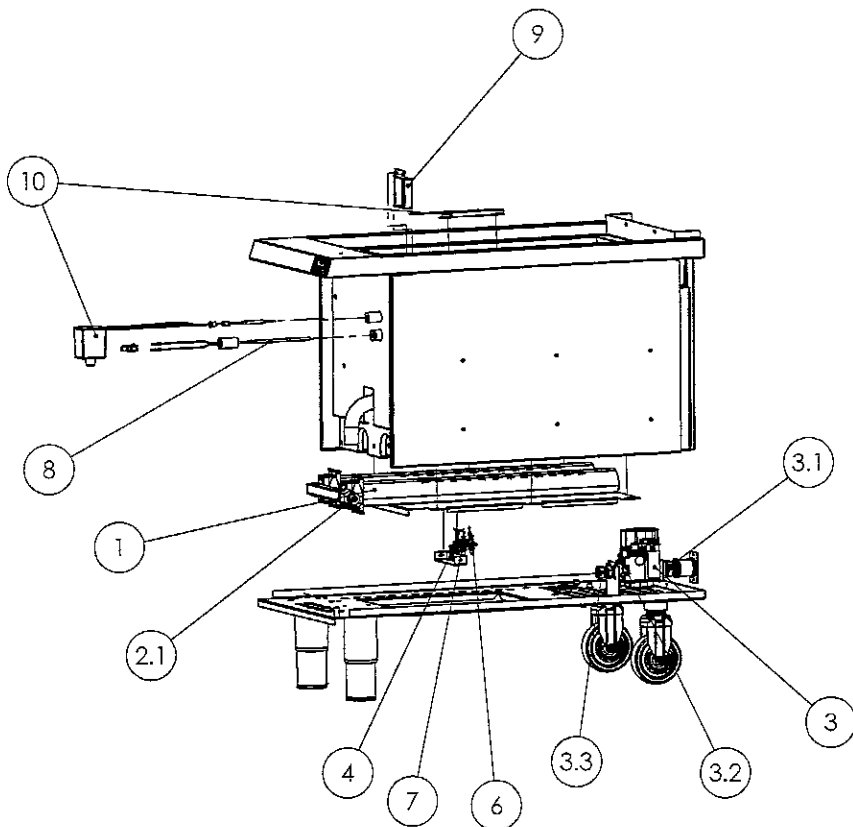
DEBUR AND  
BREAK SHARP EDGES

WEIGHT: 84546.86g



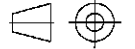
DRAWN: S.MOONEY	PRODUCT <b>G401 G402 G401F &amp; G402F FRYER</b>	
DATE: 4/2/11	TITLE <b>SPARES - ELECTRICS</b>	
MATL:	DRAWING NUMBER	ISSUE
THICKNESS:	<b>AD48150</b>	<b>A</b>
BIN No:	PART No:	

© NO REPRODUCTION OR PUBLICATION OF THIS DRAWING MAY BE MADE AND NO ARTICLE MAY BE MANUFACTURED OR ASSEMBLED IN ACCORDANCE WITH THIS DRAWING WITHOUT PRIOR WRITTEN CONSENT. THIS PROHIBITION IS A TERM OF ANY CONTRACT RELATING TO THIS DRAWING. RIGHTS RESERVED UNDER THE COPYRIGHT ACT 1935 AS AMENDED BY THE DESIGN COPYRIGHT ACT 1998

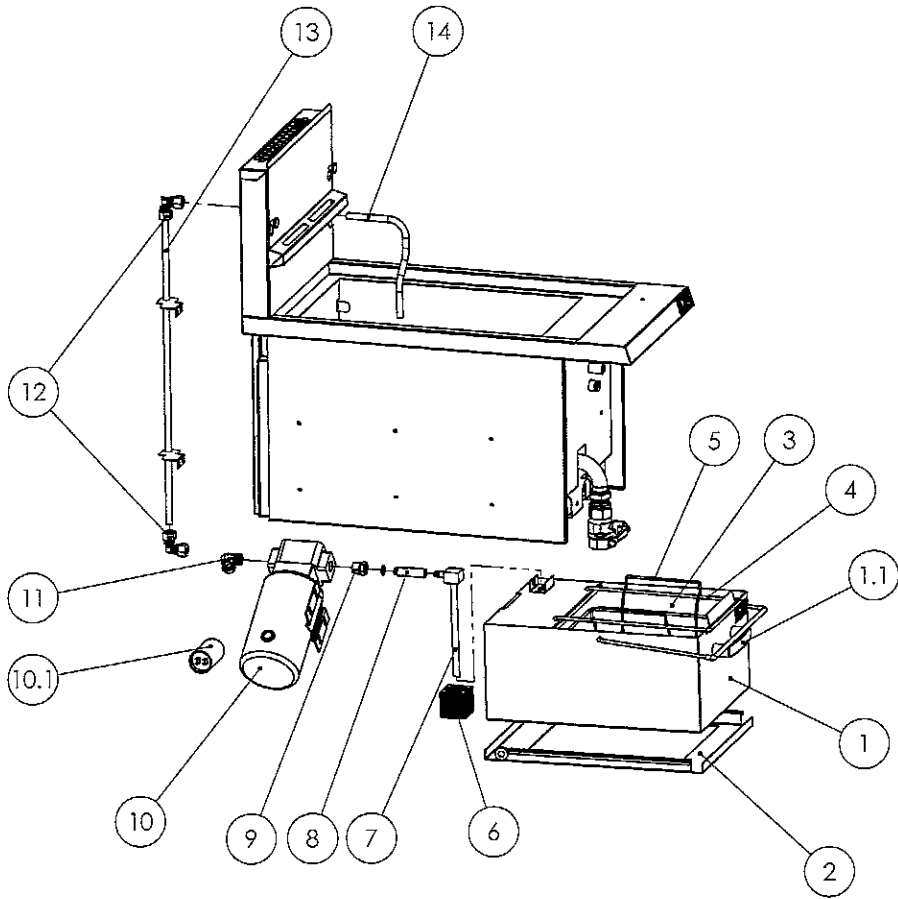


ITEM	DESCRIPTION	SPARES No	QTY
1	BURNER ASSEMBLY	536300025	
1.1	INJECTOR (NAT GAS) (NOT SHOWN)	536300026	2
1.2	INJECTOR (PROPANE) (NOT SHOWN)	536300027	2
2	FLEXI PIPE C/W FITTINGS (NOT SHOWN)	536300028	
2.1	COUPLING 1/2" BSPT FEMALE	536300029	
3	CONTROLS SUB ASSEMBLY	536300030	
3.1	3/4" TO 1/2" REDUCER	536300031	
3.2	COUPLING M10 X 4mm	536300032	
3.3	COUPLING 1/2" BSPT TO 12mm	531610050	
4	PILOT ASSEMBLY (NAT GAS)	531600050	
4.1	PILOT INJECTOR (NAT GAS) (NOT SHOWN)	531600070	
5	PILOT ASSEMBLY (PROPANE)	531600055	
5.1	PILOT INJECTOR (PROPANE) (NOT SHOWN)	531600075	
6	DETECTOR ELECTRODE	536300033	
7	IGNITION ELECTRODE	537350035	
8	OPERATING STAT PROBE ASSEMBLY	536300034	
9	OPERATING STAT PROBE COVER	536300035	
10	SAFETY STAT ASSEMBLY	536300036	

**CLEARED FOR PRODUCTION**

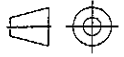
ISSUE	MOD No	ALTERATION	DRAWN BY	DATE	IF IN DOUBT ASK DO NOT SCALE FIRST ANGLE PROJECTION  UNLESS OTHERWISE SPECIFIED: DIMENSIONS ARE IN MILLIMETERS TOLERANCES: LINEAR: ±0.5mm ANGULAR: ±0.5 DEG DEBUR AND BREAK SHARP EDGES WEIGHT: 8454.86g	DRAWN: S.MOONEY DATE: 8/2/11 SCALE: MATL: THICKNESS: BIN No:	PRODUCT <b>G401 G402 G401F &amp; G402F FRYER</b> TITLE <b>SPARES - BURNER AND CONTROLS</b>	DRAWING NUMBER	ISSUE
A	1235/5	ISSUED FOR PRODUCTION	S.MOONEY	8/2/11				<b>AD48149</b>	A





ITEM	DESCRIPTION	SPARES No
1	OIL CONTAINER ASSEMBLY	536300037
1.1	OIL CONTAINER FRONT HANDLE	731350030
2	OIL CONTAINER CARRIER	535770028
3	FINE MESH FILTER	737101159
4	FINE MESH FILTER WIRE SUPPORT	737101143
5	BASKET FILTER	731350031
6	SUCTION PIPE FILTER	731350032
7	SUCTION PIPE C/W 'O' RING	536300038
7.1	SUCTION PIPE 'O' RING (NOT SHOWN)	731350034
8	OIL INLET NOZZLE C/W WASHER	731350035
9	REDUCER	731350036
10	OIL PUMP	731350037
10.1	OIL PUMP CAPACITOR	731350038
11	PUMP ELBOW	536300039
12	OIL RETURN ELBOW	536300040
13	REAR FILTRATION PIPE	536300041
14	FILTRATION PIPE	536300042

**CLEARED FOR PRODUCTION**

ISSUE	MOD No	ALTERATION	DRAWN BY	DATE	IF IN DOUBT ASK DO NOT SCALE FIRST ANGLE PROJECTION  UNLESS OTHERWISE SPECIFIED: DIMENSIONS ARE IN MILLIMETERS TOLERANCES: LINEAR: ±0.3mm ANGULAR: ±0.5 DEG DEBUR AND BREAK SHARP EDGES WEIGHT: 84546.86g	DRAWN: S.MOONEY	PRODUCT	<b>G401F &amp; G402F FRYER</b>	
A	1235/5	PRODUCTION ISSUE	S.MOONEY	9/2/11		DATE: 9/2/11	TITLE	<b>SPARES - FILTRATION</b>	
					MATL:	DRAWING NUMBER	ISSUE		
					THICKNESS:	FINISH:	<b>AD48151</b>		
					BIN No:	PART No:	<b>A</b>		

NO REPRODUCTION OR PUBLICATION OF THIS DRAWING MAY BE MADE AND NO ARTICLE MAY BE MANUFACTURED OR ASSEMBLED IN ACCORDANCE WITH THIS DRAWING WITHOUT PRIOR WRITTEN CONSENT. THIS PROHIBITION IS A TERM OF ANY CONTRACT RELATING TO THIS DRAWING. RIGHTS RESERVED UNDER THE COPYRIGHT ACT 1956 AS AMENDED BY THE DESIGN COPYRIGHT ACT 1968