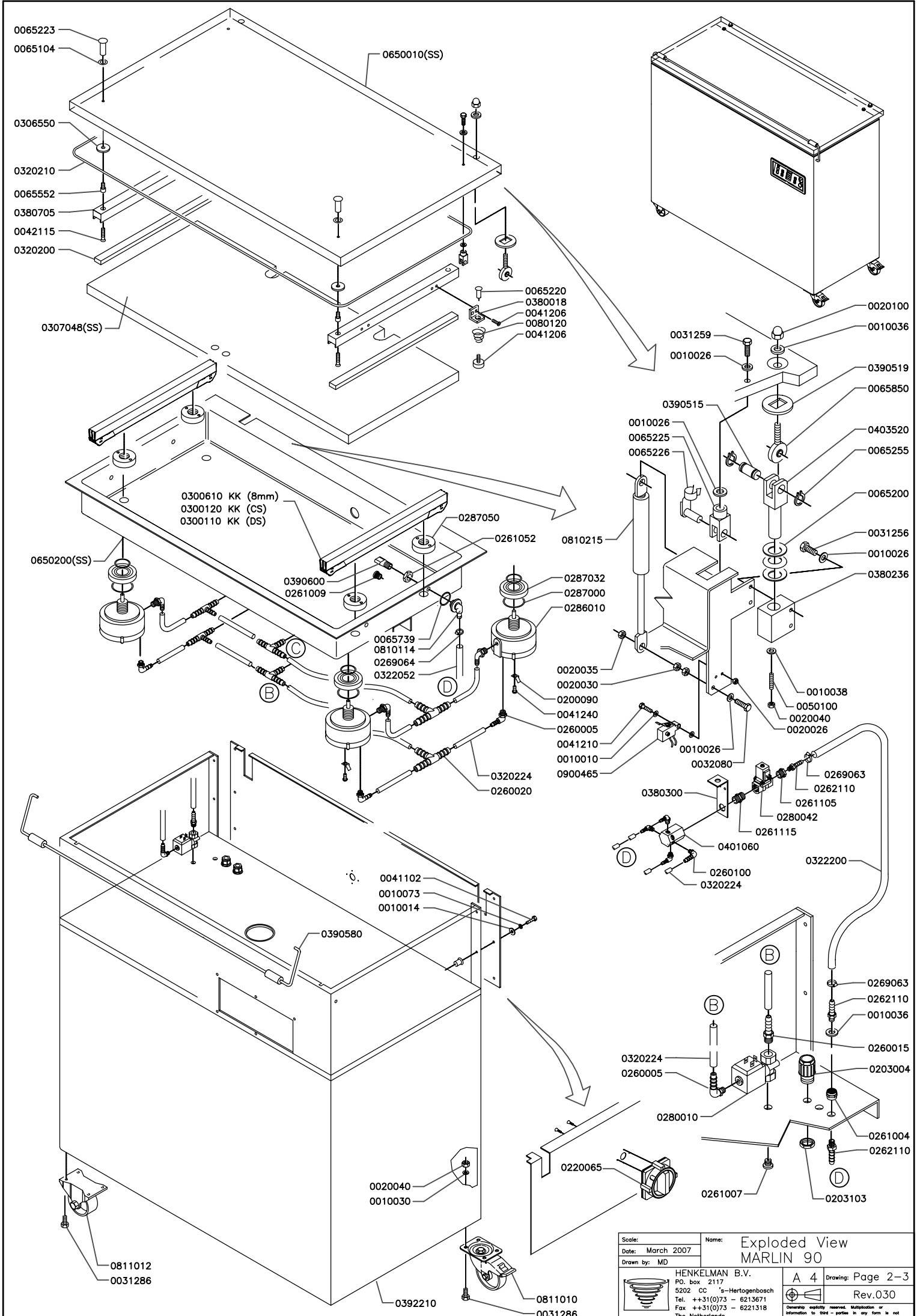


Scale:	Name:
Date: Jan 2009	Exploded View
Drawn by: MD	MARLIN 90
HENKELMAN B.V. P.O. box 2117 5202 CC 's-Hertogenbosch Tel. ++31(0)73 - 6213671 Fax ++31(0)73 - 6221318 The Netherlands	
A 4	Drawing: Page 1-3
Rev.030	
<small>Ownership explicitly reserved. Multiplication or information to third parties in any form is not permitted without written permission of the owner.</small>	



- 0065223
- 0065104
- 0306550
- 0320210
- 0065552
- 0380705
- 0042115
- 0320200

0650010(SS)

0307048(SS)

0300610 KK (8mm)
0300120 KK (CS)
0300110 KK (DS)

0650200(SS)

0390600
0261009

0065739
0810114
0269064
0322052

0041102
0010073
0010014

0811012
0031286

0020040
0010030

0392210

0065220
0380018
0041206
0080120
0041206

0287050

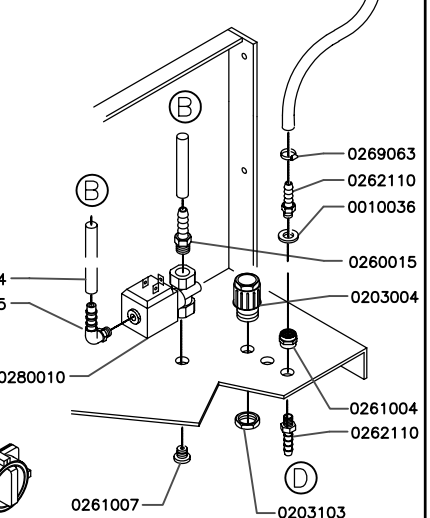
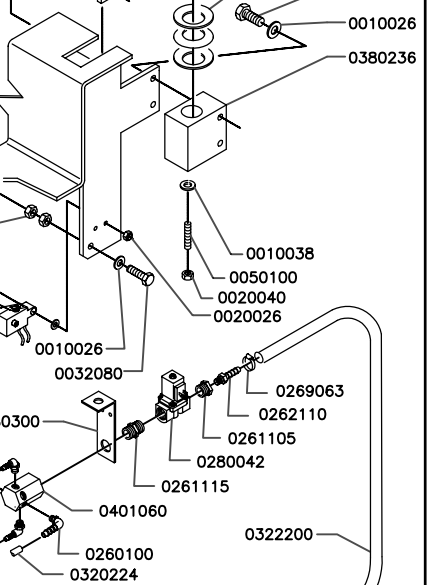
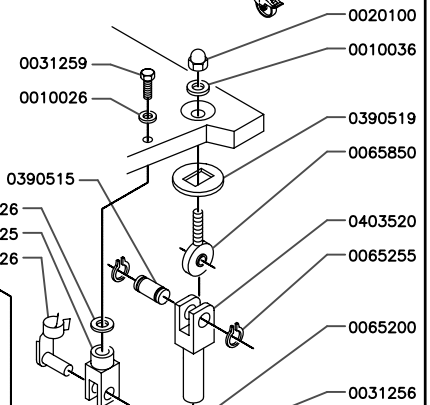
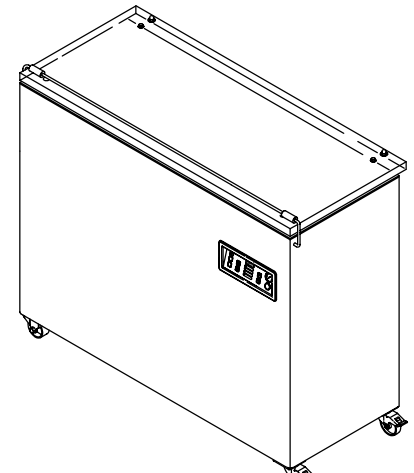
0261052

0287032
0287000
0286010

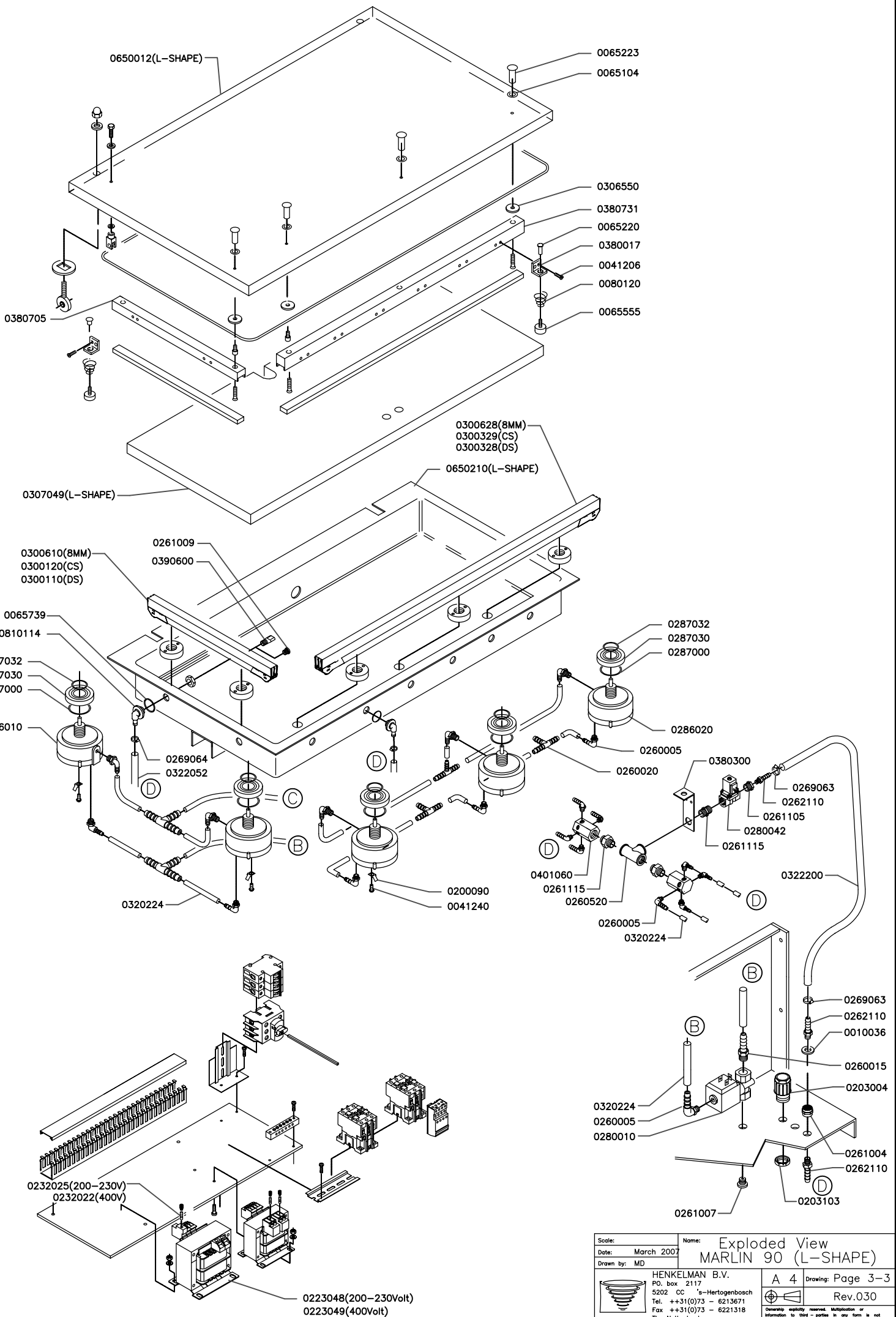
0320224
0260020

0220065

0811010
0031286



Scale:	Name:	Exploded View	
Date: March 2007	MARLIN 90		
Drawn by: MD	HENKELMAN B.V. PO. box 2117 5202 CC 's-Hertogenbosch Tel. ++31(0)73 - 6213671 Fax ++31(0)73 - 6221318 The Netherlands		
A 4		Drawing: Page 2-3	
Rev.030		Overwrite quality reserved. Multiplication or information to third parties in any form is not permitted without written permission of the owner.	



Scale:	Name: Exploded View
Date: March 2007	MARLIN 90 (L-SHAPE)
Drawn by: MD	
HENKELMAN B.V. PO. box 2117 5202 CC 's-Hertogenbosch Tel. ++31(0)73 - 6213671 Fax. ++31(0)73 - 6221318 The Netherlands	A 4 Drawing: Page 3-3 Rev.030