

# CME1202R & CME1402R SERVICE PARTS

This parts lists shows the service parts for the CME1202R & CME1402R Remote.

Check the model number of the machine to be certain of obtaining the correct part.

Note: Units have been manufactured in various electrical configurations, including single phase, three phase and 50 Hz.

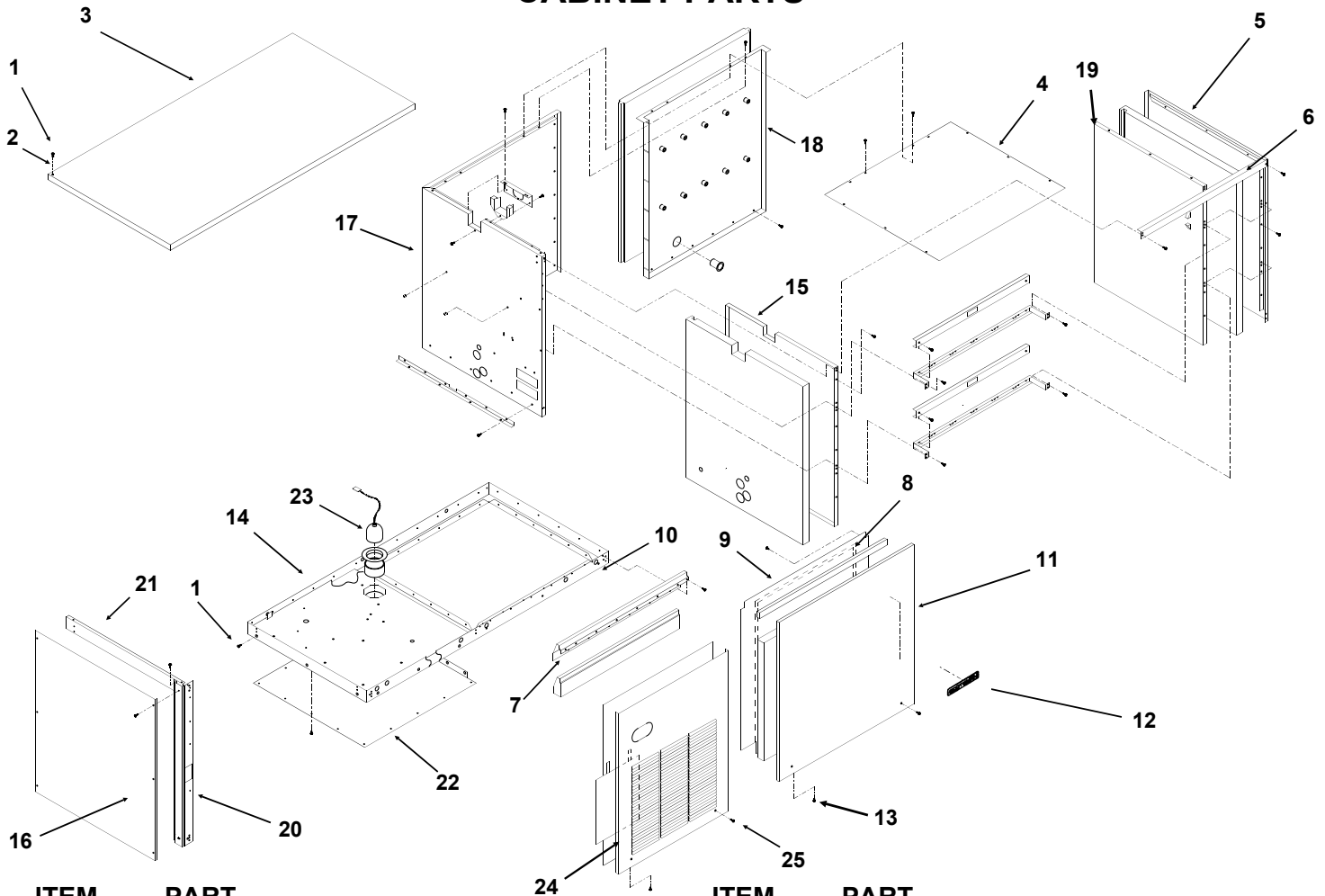
Included at the back of the parts list are the wiring diagrams.

## Table of Contents

Cabinet . . . . .	Page 2
Refrigeration System . . . . .	Page 3
Water System . . . . .	Page 4
Control Box . . . . .	Page 5
Remote Condenser . . . . .	Page 6
BH900 Bin . . . . .	Page 7
Wiring Diagrams . . . . .	Page 8

# CME1202R & CME1402R SERVICE PARTS

## CABINET PARTS



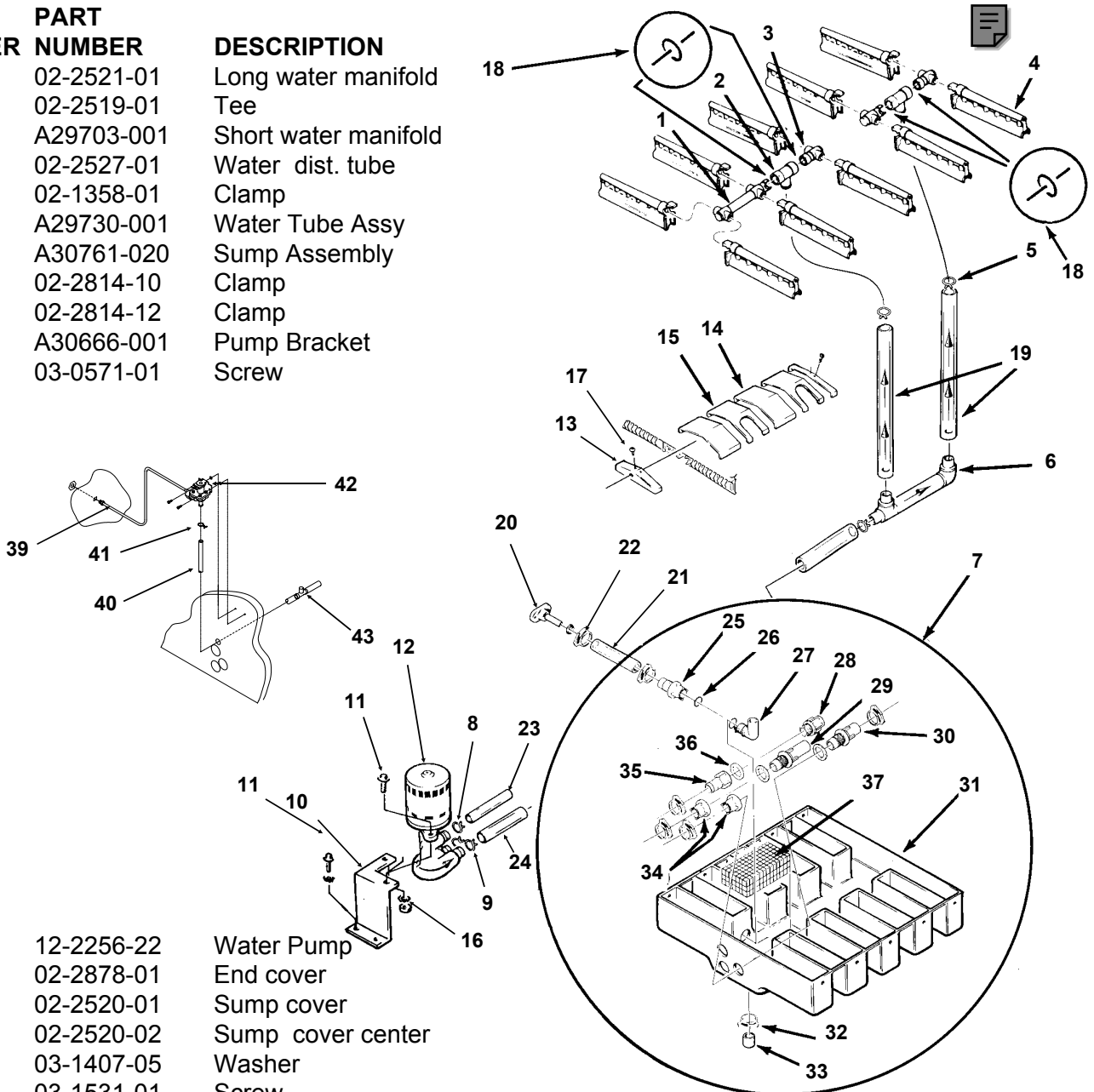
ITEM NUMBER	PART NUMBER	DESCRIPTION	ITEM NUMBER	PART NUMBER	DESCRIPTION
1	03-1531-01	Screws	13	03-1678-04	Thumb screw
2	03-1417-27	Washers		03-1678-03	Screw retainer
3	A35074-001	Panel top (sandalwood)	14	A35110-001	Base assembly
	A35074-015	Top panel, gray	15	02-2533-01	Liner, left side
	A35074-002	Panel top (stainless)	16	A35075-001	Left side panel, sandalwood
4	A33364-001	Liner top		A35075-015	Left side panel, gray
5	A29164-003	Right panel (sandalwood)		A35075-002	Left side panel, stainless
	A29164-015	Right side panel, gray	17	no number	Retainer
	A29164-002	Right panel (stainless)	18	02-2531-01	Liner back
6	A30330-001	Brace front	19	02-2534-01	Right side liner
7	02-2532-01	Liner cap	20	A35069-001	Corner post
8	13-0595-00	Gasket (order per foot)	21	A35066-001	Brace
9	02-2795-01	Liner, front panel	22	02-3151-01	Plastic cover
10	03-1678-01	Speed clip	23	A34908-021	Transducer
11	A35401-022	Right front panel, stainless	24	A35400-001	Left frnt pnl, sandalwood
	A35401-021	Right front panel, sandalwood		A35400-015	Left front panel, gray
	A35401-024	Right front panel, gray		A35400-002	Left frnt pnl, stainless
	Front panels include insulation and liner.		25	03-1678-02	Panel screw
	02-3252-01	Plastic bumper		03-1678-03	Screw retainer
12	15-0711-01	Emblem for sandalwood		02-3252-01	Plastic bumper
	15-0808-03	Grey emblem for SS or gray	26	A36206-001	Back panel (not shown)



# CME1202R & CME1402R SERVICE PARTS

## WATER SYSTEM

ITEM NUMBER	PART NUMBER	DESCRIPTION
1	02-2521-01	Long water manifold
2	02-2519-01	Tee
3	A29703-001	Short water manifold
4	02-2527-01	Water dist. tube
5	02-1358-01	Clamp
6	A29730-001	Water Tube Assy
7	A30761-020	Sump Assembly
8	02-2814-10	Clamp
9	02-2814-12	Clamp
10	A30666-001	Pump Bracket
11	03-0571-01	Screw

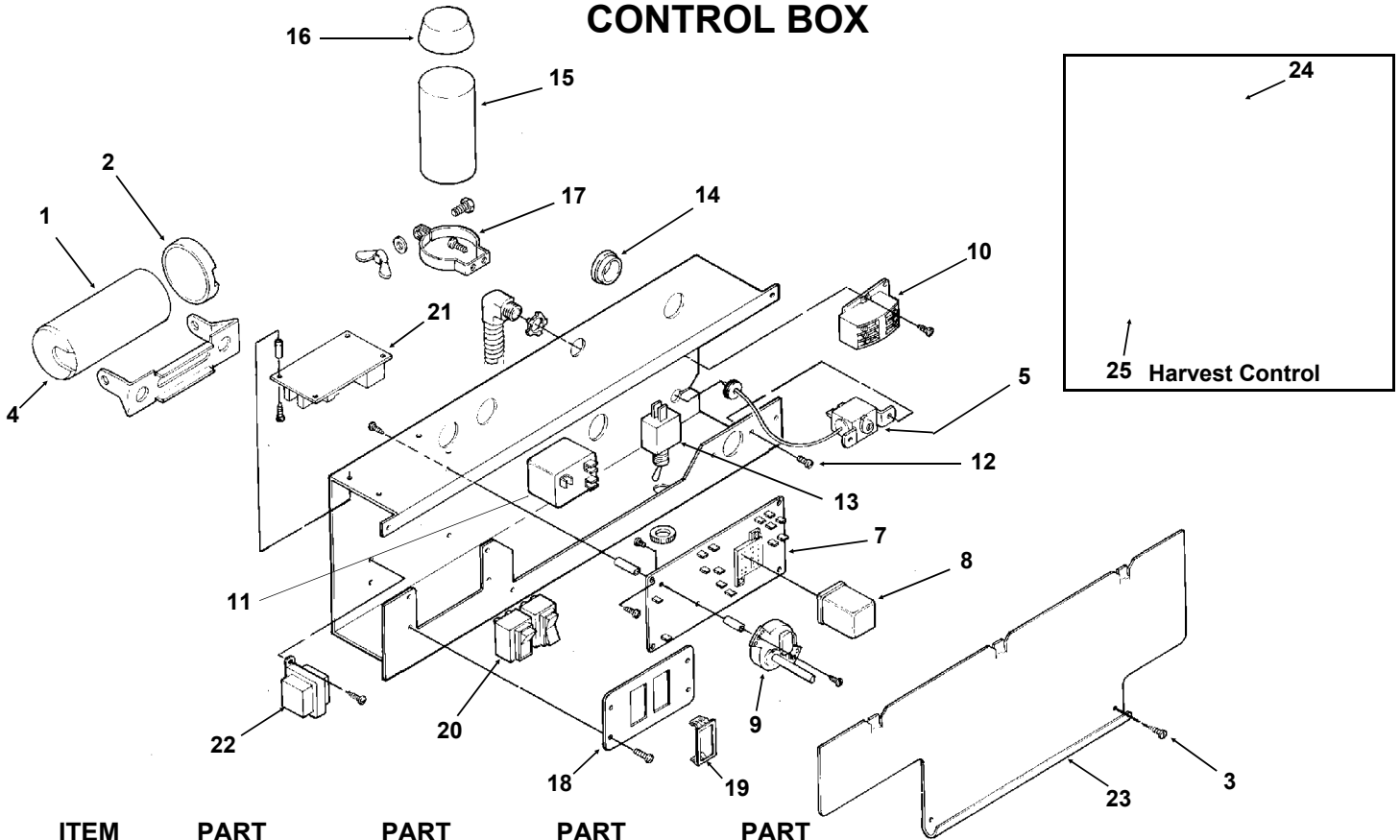


12	12-2256-22	Water Pump
13	02-2878-01	End cover
14	02-2520-01	Sump cover
15	02-2520-02	Sump cover center
16	03-1407-05	Washer
17	03-1531-01	Screw
18	13-0617-48	O-ring
19	13-0674-07	Hose (18.5")
20	A31757-002	Drain
21	13-0674-07	Tube, drain (7")
22	02-1358-01	Hose clamp
23	13-0674-07	Tube, need 6.25"
24	13-0674-08	Tube, need 6.6"
25	02-2606-01	Female tube
26	13-0617-02	O-ring
27	02-2125-01	Elbow
28	02-2080-01	Overflow
29	02-2792-01	Pick Up tube

30	02-2793-01	Inlet tube
31	no number	sump pan (see item 7)
32	02-1530-01	Clamp
33	13-0796-01	Rubber cap
34	02-2791-01	Water inlet nut
35	02-2606-01	Female tube
36	13-0617-02	O-ring
37	A30760-001	Screen
39	A35119-001	Water inlet assy
40	13-0674-03	Tygon tube, 25" req.
41	02-2814-05	Hose clamp
42	12-2446-26	Inlet water valve
43	16-0670-02	Tee

# CME1202R & CME1402R SERVICE PARTS

## CONTROL BOX

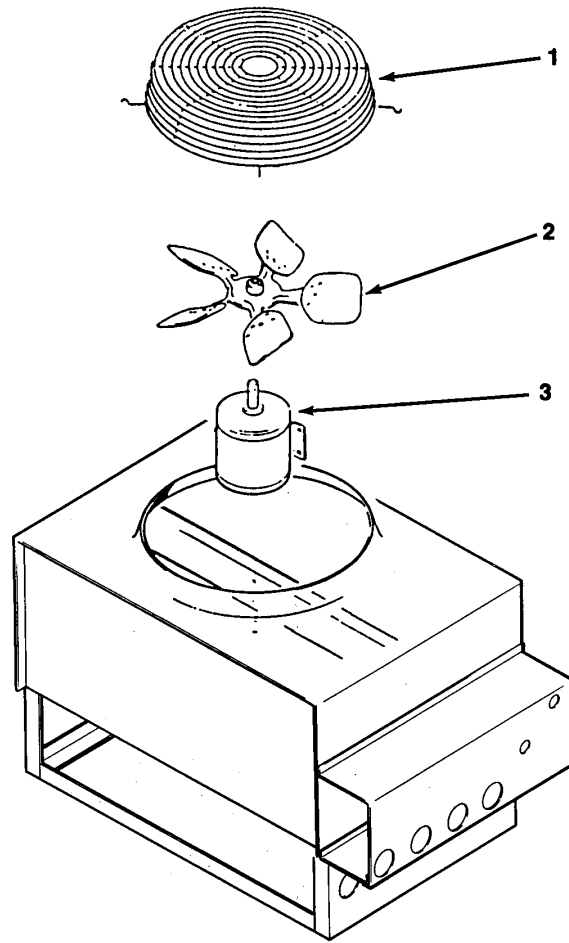


ITEM NUMBER	PART NUMBER	PART NUMBER	PART NUMBER	PART NUMBER	DESCRIPTION
	3 phase	single phase	single phase	single phase	
		1202 60 Hz	1402	1202 50 Hz	
1	-	18-1901-48	18-1901-27	same	Start Capacitor
2	-	A35328-001	same	same	Start Cap. Cap
3	-	03-1638-03	same	same	Screw
4	-	18-2200-39	same	same	Start cap. bracket
5	11-0351-22	same	same	same	Cube Size Control
6	02-2242-02	same	same	same	Stand off
7	12-1912-01	same	same	same	Circuit board
8	12-1879-03	same	same	same	Relay
9	12-2628-22	same	same	12-2628-26	Timer & Switch
10	12-0739-02	12-2469-02	same	same	Contactors
11	-	18-1903-46	same	same	Potential Relay
12	03-1403-17	same	same	same	Screw
13	12-0426-01	same	same	same	Comp. Switch
14	-	12-1213-12	same	same	Snap busing
15	-	18-1902-55	18-1902-56	18-1902-57	Run capacitor
16	-	13-0666-00	same	same	Terminal cover
17	-	A32872-001	same	same	Run Cap Bracket
18	02-3173-01	same	same	same	Switch plate
19	12-2414-01	same	same	same	Wash- Off - Ice switch
20	12-2411-01	same	same	same	Bin ice level switch
	12-2402-01	same	same	same	Wire harness, bin level switch to board
21	12-2376-21	same	same	same	Ice level control circuit board
22	12-2285-22	same	same	same	Transformer
23	A35082-001	same	same	same	Control box cover
*24	11-0521-21	same	same	same	Cross amb, harvest thermostat, w/hardware
*25	12-2070-04	same	same	same	Relay for harvest thermostat

\* Use began with May 1997 production (-11N)

# CME1202R & CME1402R SERVICE PARTS

## REMOTE CONDENSER



### RCE1401-32

ITEM NUMBER	PART NUMBER	DESCRIPTION
1	02-2618-01	Fan guard
2	18-6304-01	Fan blade
3	18-5301-01	Fan motor

Not Shown:

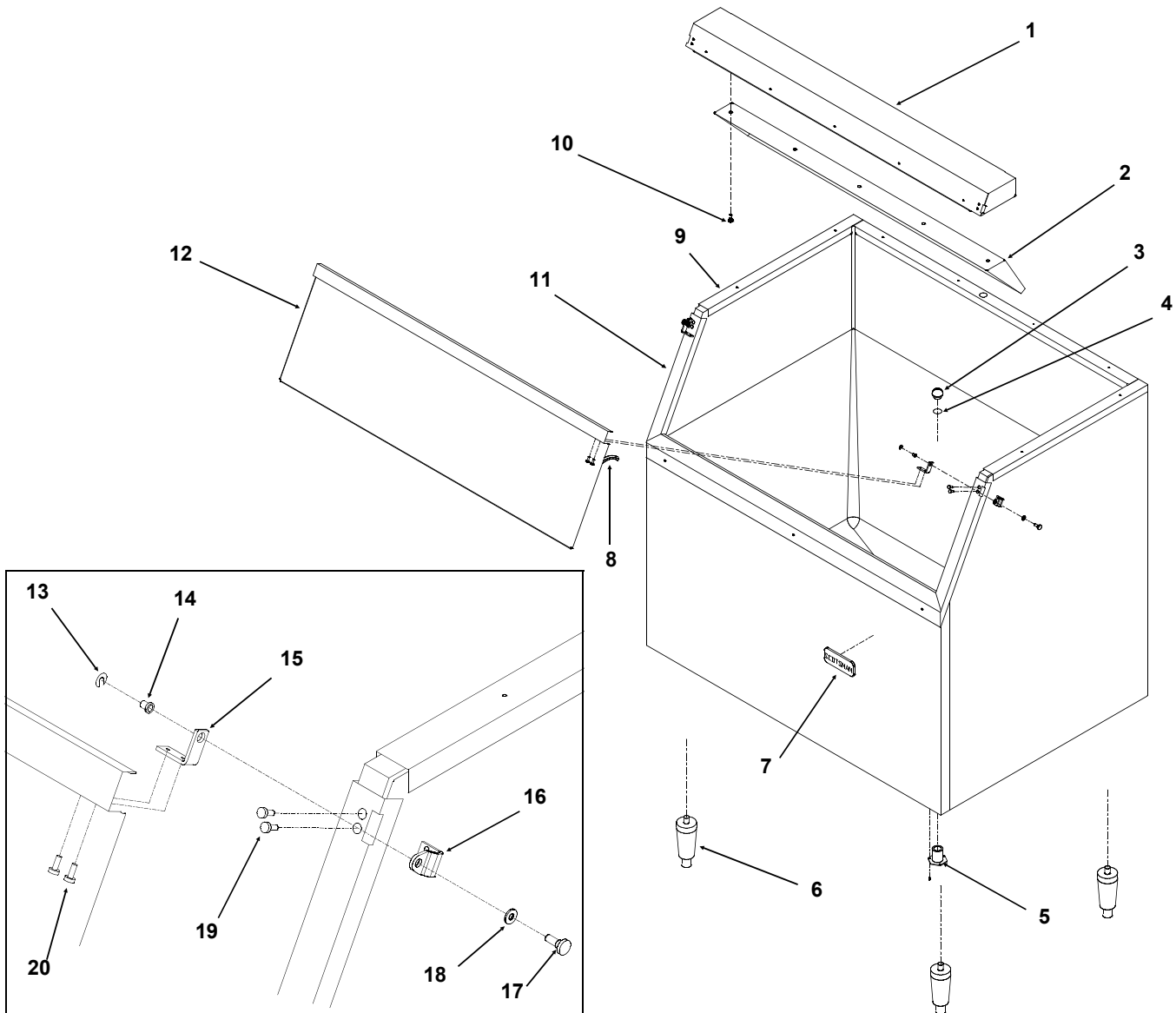
4	16-0701-06	Quick connect, liquid
5	16-0850-01	Quick connect, discharge
6	16-1057-01	Quick connect, pre-charged 3/8" line
7	16-1057-02	Quick connect, pre-charged 1/2" line

### ERC401

1	02-3575-01	Fan guard
2	18-8800-01	Fan blade
3	18-8796-32	Fan motor

# CME1202R & CME1402R SERVICE PARTS

## BH900 ICE STORAGE BIN



ITEM NUMBER	PARTS NUMBER	DESCRIPTION
1	A35322-020	Canopy Assembly
2	A35152-001	Ice Baffle
3	02-2809-01	Drain Top
4	13-0617-11	O-ring
5	02-3201-01	Drain casting
6	KLP2E KLP2S	Leg Kit, Black Leg Kit, Nickel Plated
7	15-0711-01	Emblem
8	13-0595-00	Door gasket( 6.25' reg.)
9	19-0503-04	Bin gasket
10	03-0727-11	Baffle screw
11	A35275-001 A37641-021	Door frame assy. Door frame, BH900S-C
12	A35323-020	Door with gasket
13	03-1539-09	"E" ring
14	02-2380-01	Hinge bushing

ITEM NUMBER	PARTS NUMBER	DESCRIPTION
15	02-3195-01	Door hinge
16	02-3196-01	Bin hinge
17	02-2806-01	Shoulder screw
18	02-2380-02	Spacer
19	03-1403-29	Screw 10-24
20	03-1403-24	Screw 10-24
21	A35280-001	Left bin channel
21a	A35311-001	Back bin channel
21b	A35279-001	Right bin channel
22	02-0540-00	Scoop

Note: There were a few BH900CE/CS type bins that used a different door, gasket, hinge & pin:

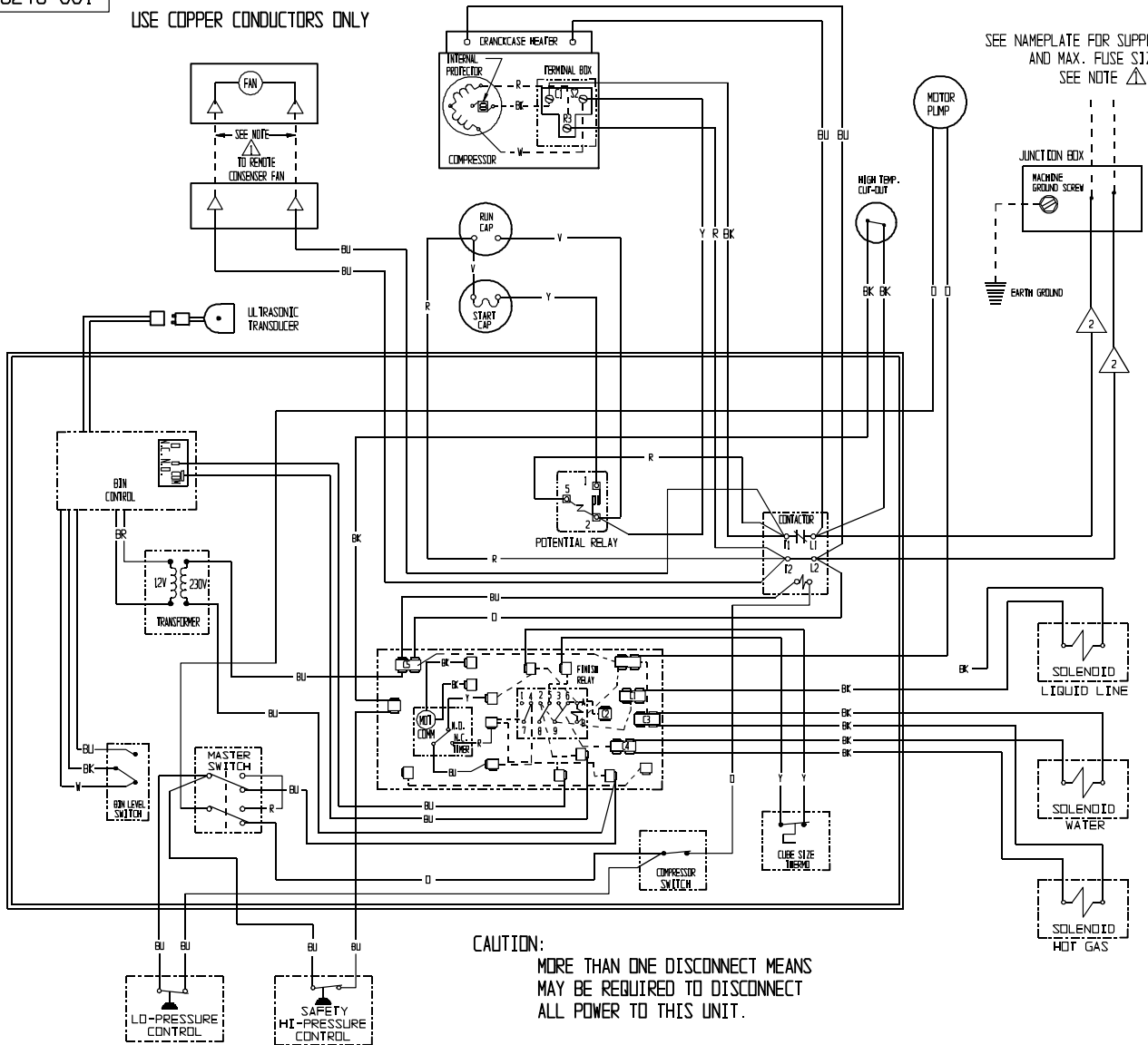
12	02-3222-01	Door
	13-0595-01	Gasket
	02-3225-01	Hinge kit
	02-3226-01	Pivot pin set

# CME1202R & CME1402R SERVICE PARTS

## Single Phase Wiring Diagram

A36248-001

THIS UNIT MUST BE GROUNDED  
USE COPPER CONDUCTORS ONLY



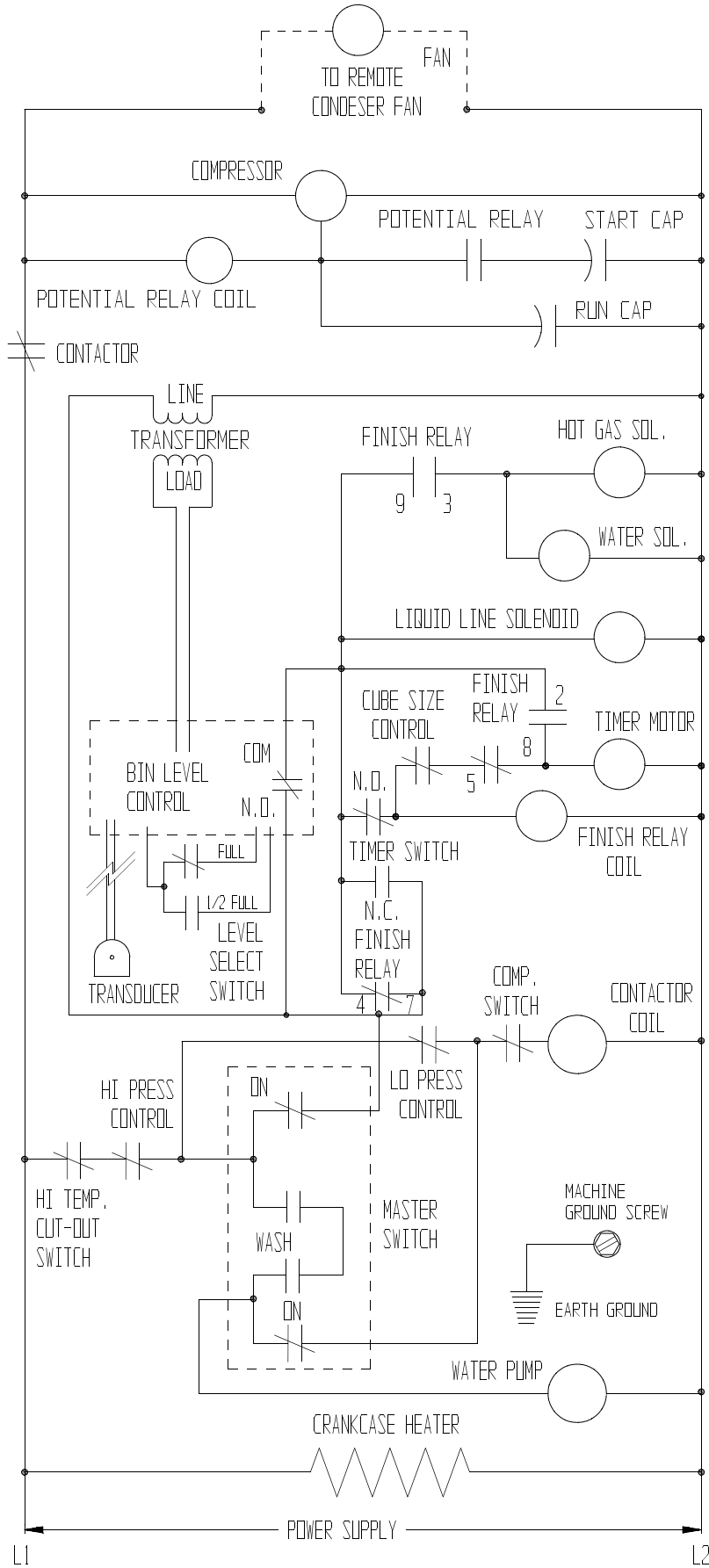
SEE NAMEPLATE FOR SUPPLY VOLTAGE  
AND MAX. FUSE SIZE  
SEE NOTE ⚠

CAUTION:  
MORE THAN ONE DISCONNECT MEANS  
MAY BE REQUIRED TO DISCONNECT  
ALL POWER TO THIS UNIT.



# CME1202R & CME1402R SERVICE PARTS

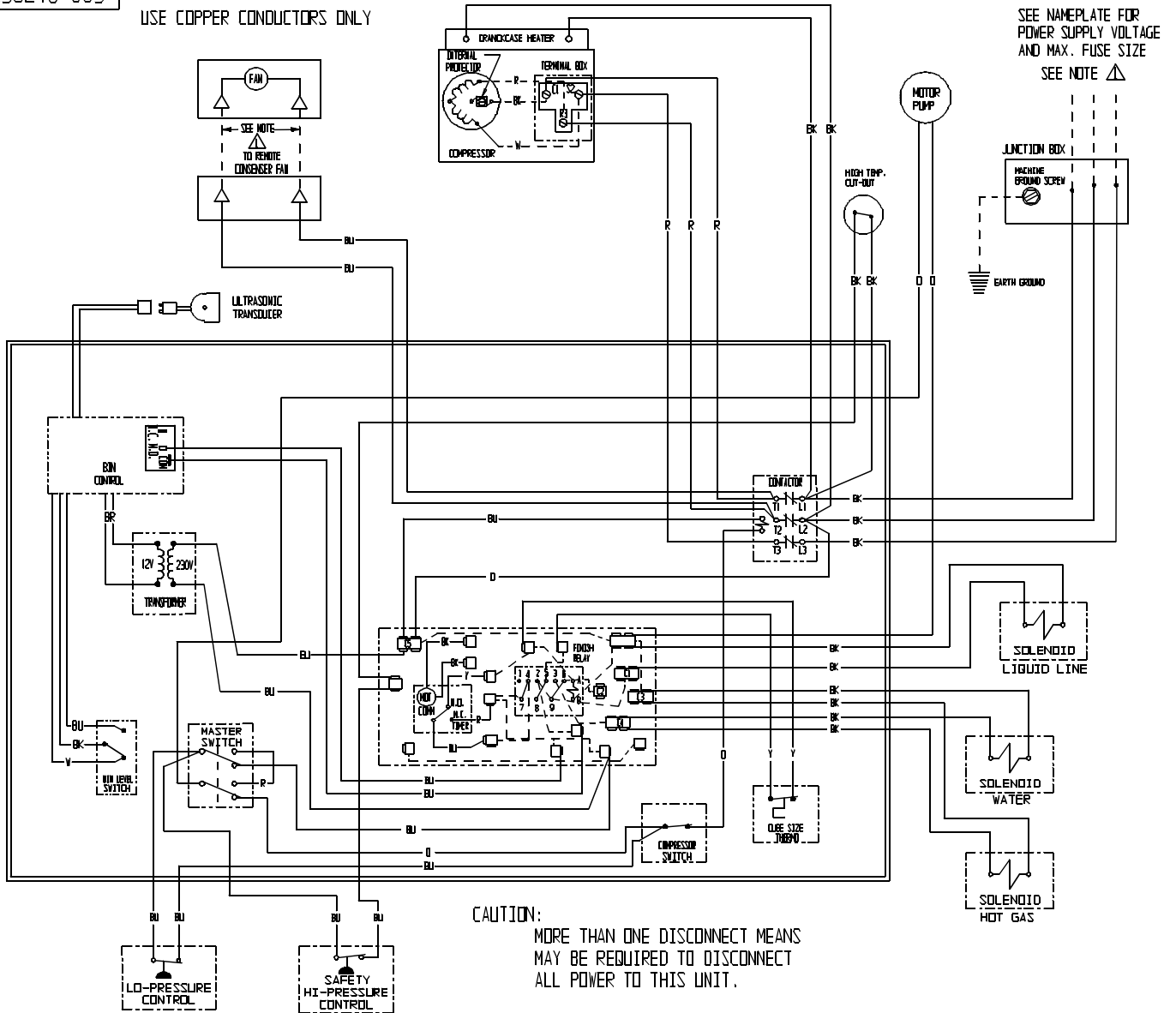
## Single Phase Schematic Diagram



# CME1202R & CME1402R SERVICE PARTS

## 3 Phase Wiring Diagram

A36248-003 THIS UNIT MUST BE GROUNDED  
USE COPPER CONDUCTORS ONLY





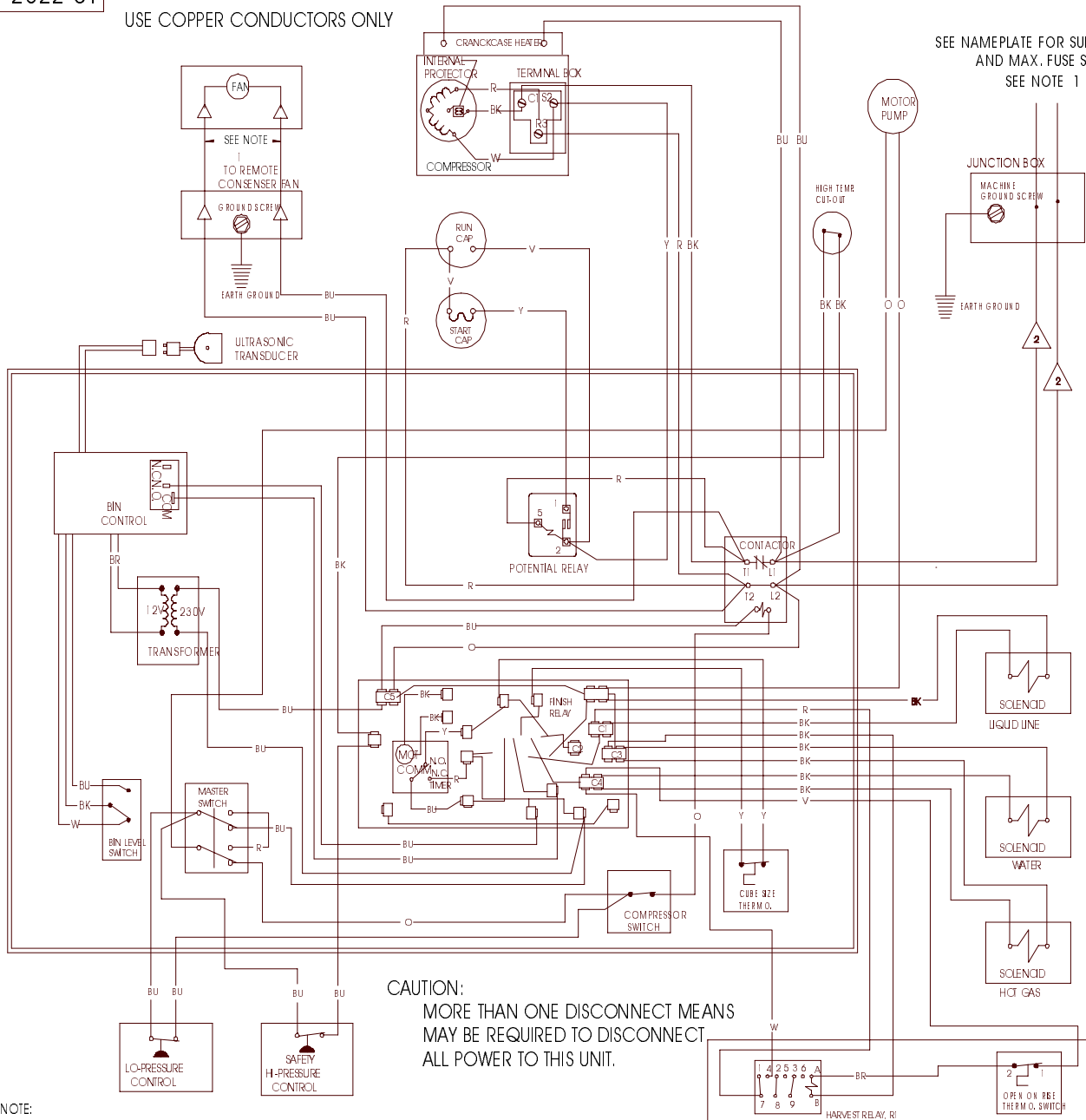
# CME1202R & CME1402R SERVICE PARTS

## Single phase Wiring Diagram May 1997 production and later

17-2522-01

THIS UNIT MUST BE GROUNDED  
USE COPPER CONDUCTORS ONLY

SEE NAMEPLATE FOR SUPPLY VOLTAGE  
AND MAX. FUSE SIZE  
SEE NOTE 1



**CAUTION:**  
MORE THAN ONE DISCONNECT MEANS  
MAY BE REQUIRED TO DISCONNECT  
ALL POWER TO THIS UNIT.

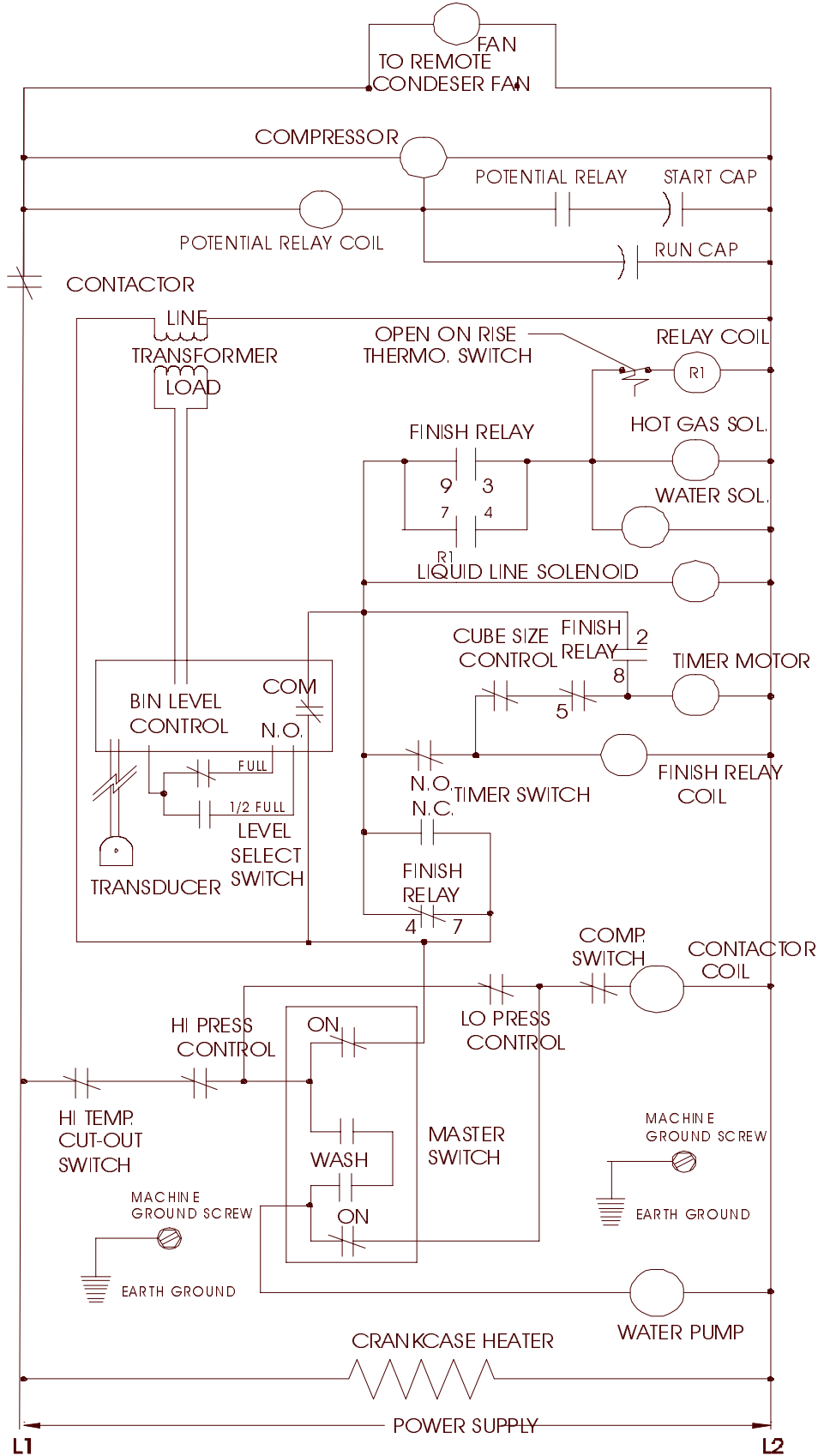
NOTE:

1 DASHED LINES INDICATE FIELD WIRING WHICH MUST BE  
INSTALLED IN ACCORDANCE WITH THE NATIONAL ELECTRICAL  
CODE AND ALL STATE AND LOCAL CODES.

2 WIRE COLOR FOR -32A [60 Hz] UNITS: BLACK  
WIRE COLOR FOR -6A [50 Hz] UNITS : BROWN

# CME1202R & CME1402R SERVICE PARTS

Single phase Schematic Diagram May 1997 production and later



THIS UNIT SHOWN IN THE TIMED PORTION  
OF THE FREEZING CYCLE

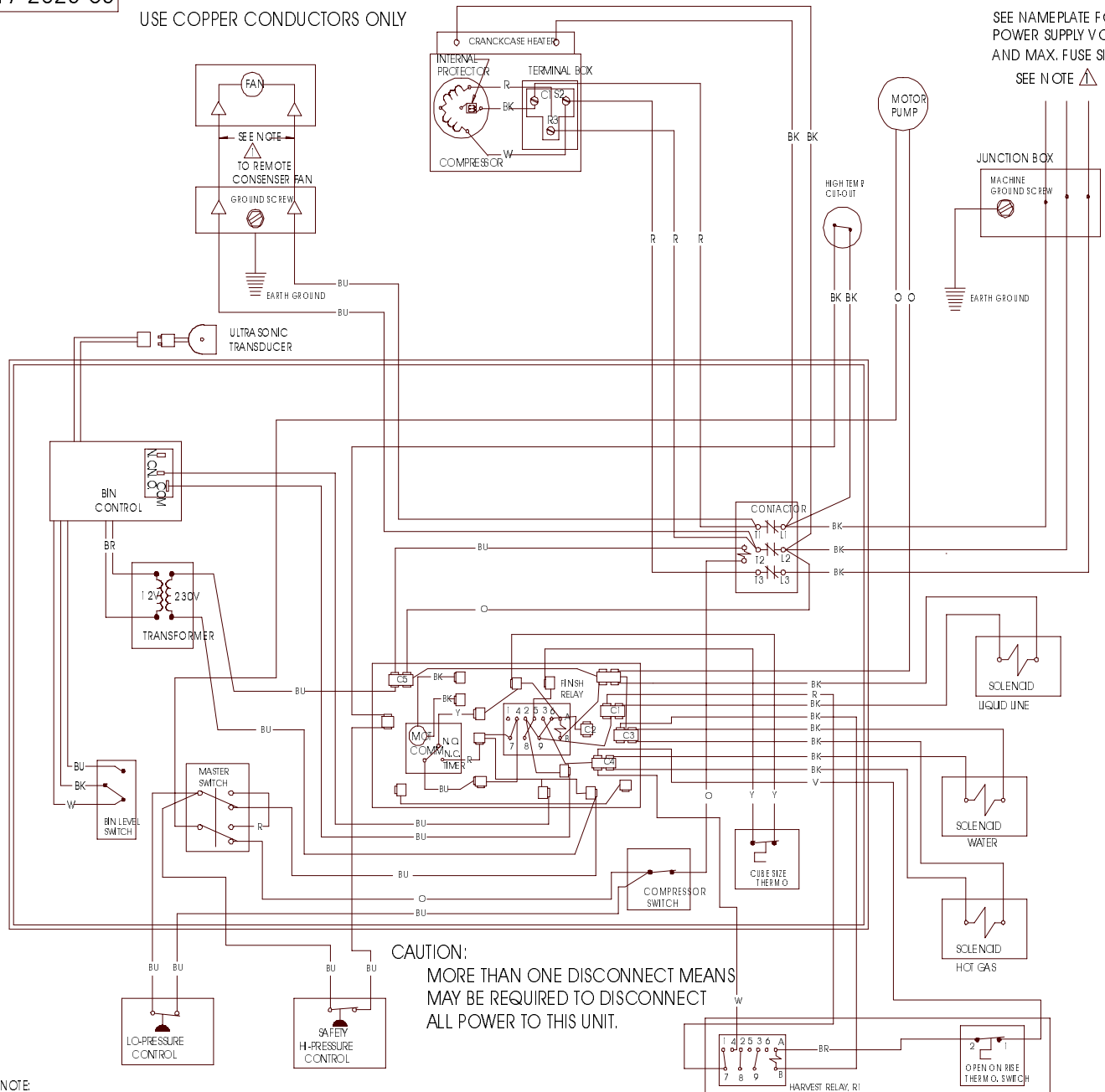
# CME1202R & CME1402R SERVICE PARTS

## 3 phase Wiring Diagram May 1997 production and later

17-2523-03

THIS UNIT MUST BE GROUNDED  
USE COPPER CONDUCTORS ONLY

SEE NAMEPLATE FOR  
POWER SUPPLY VOLTAGE  
AND MAX. FUSE SIZE  
SEE NOTE ⚠

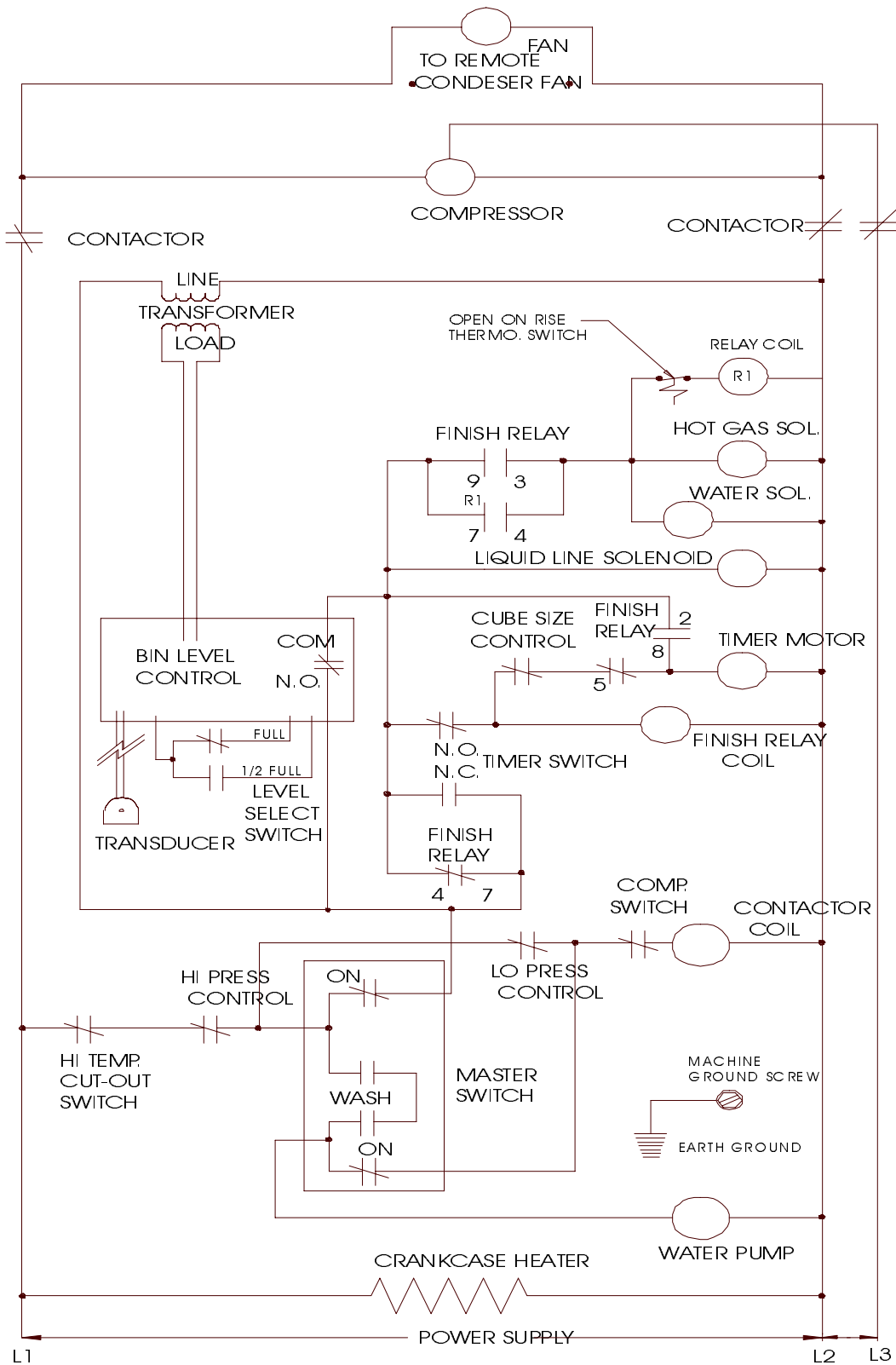


**CAUTION:**  
MORE THAN ONE DISCONNECT MEANS  
MAY BE REQUIRED TO DISCONNECT  
ALL POWER TO THIS UNIT.

NOTE:  
1 DASHED LINES INDICATE FIELD WIRING WHICH MUST BE  
INSTALLED IN ACCORDANCE WITH THE NATIONAL ELECTRICAL  
CODE AND ALL STATE AND LOCAL CODES.

# CME1202R & CME1402R SERVICE PARTS

## 3 phase Schematic Diagram May 1997 production and later



THIS UNIT SHOWN IN THE TIMED PORTION  
OF THE FREEZING CYCLE