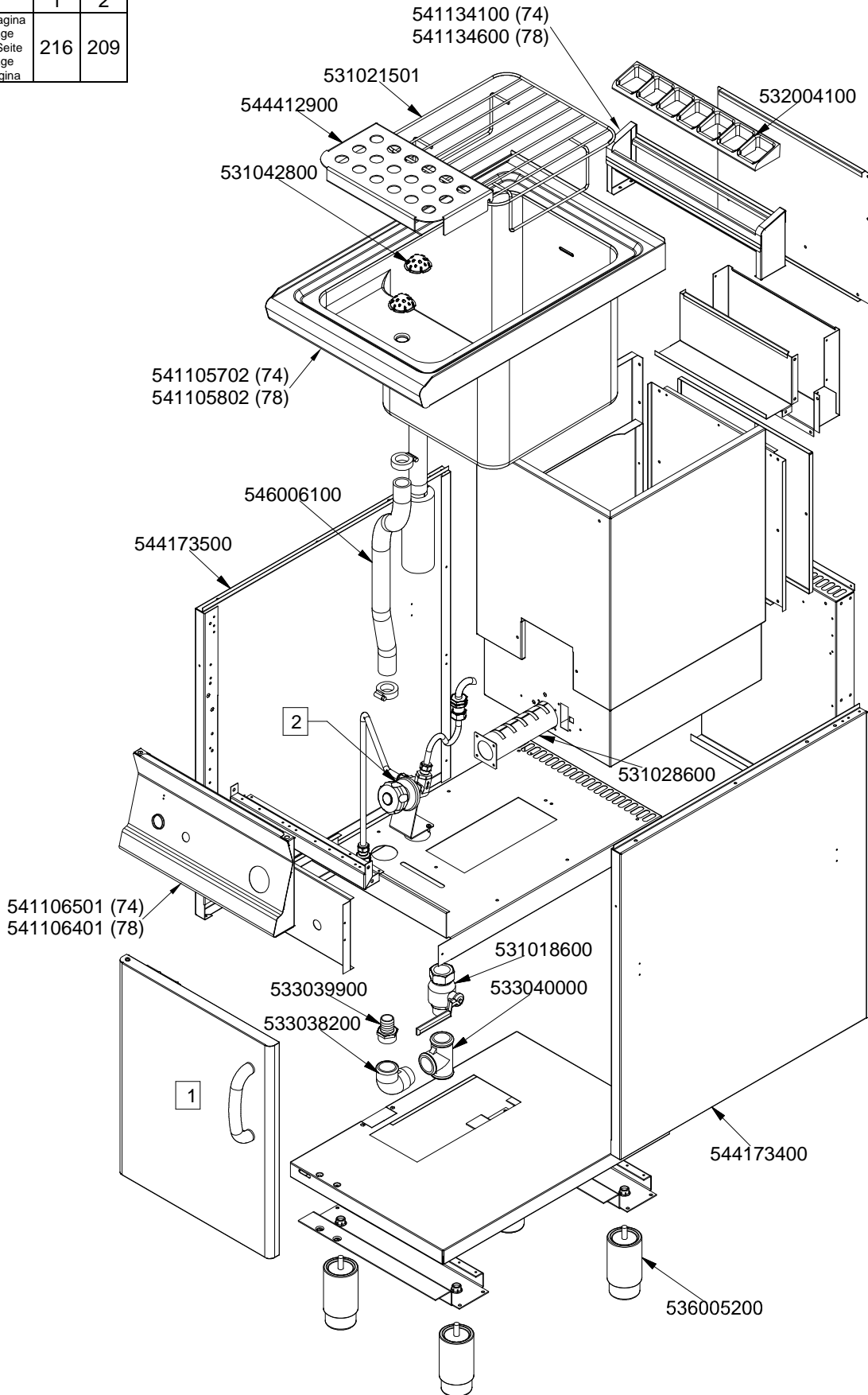


# SUPERLOTUS 70≥0602

GAS / GAS / GAS / GAZ

## CP-74G CP-78G

|   |     |     |
|---|-----|-----|
|   | 1   | 2   |
| Vedi Pagina<br>See Page<br>Siehe Seite<br>Voir Page<br>Ver Página | 216 | 209 |

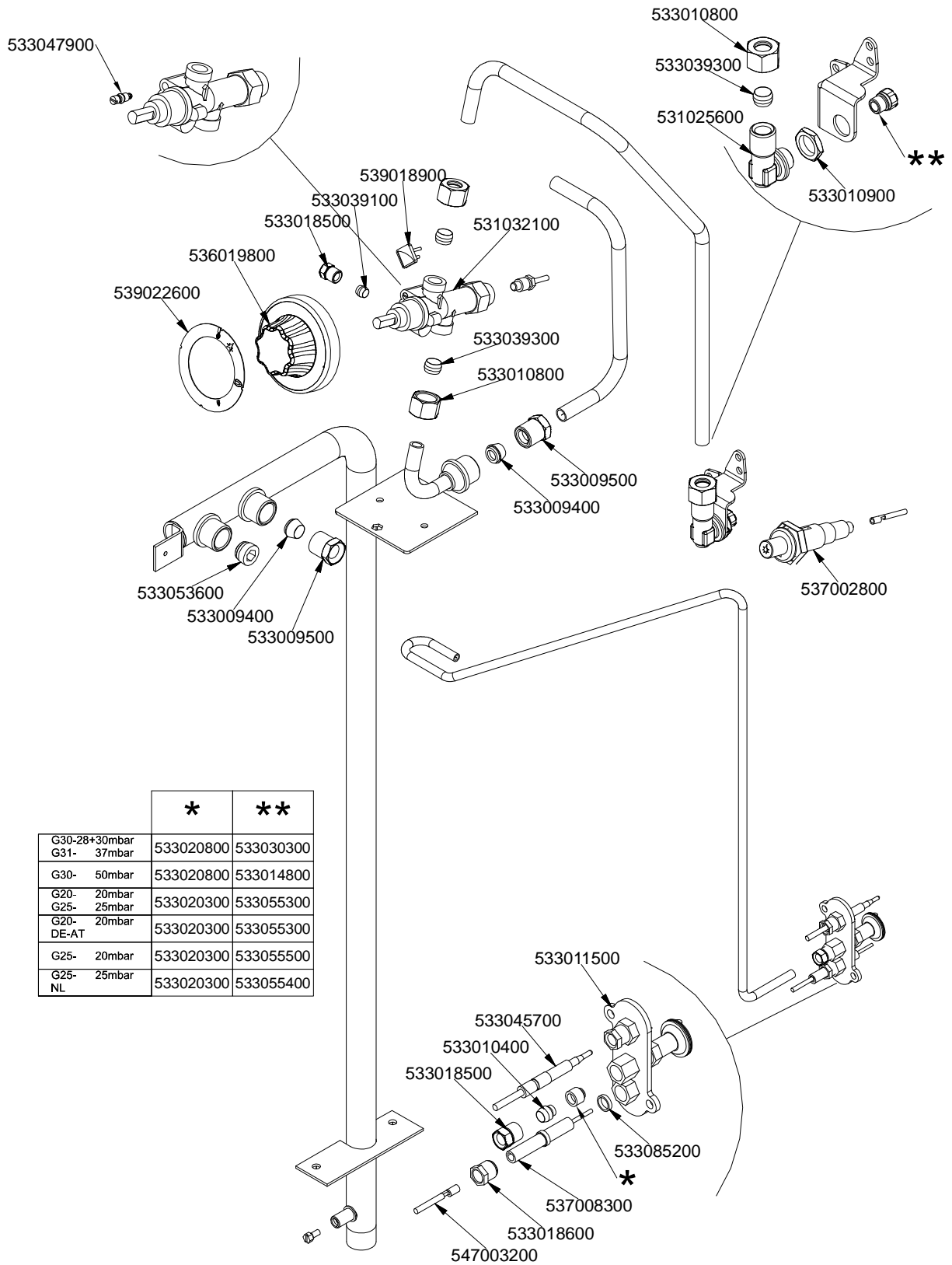


560010402M00P00

# SUPERLOTUS 70≥0602

GAS / GAS / GAS / GAZ

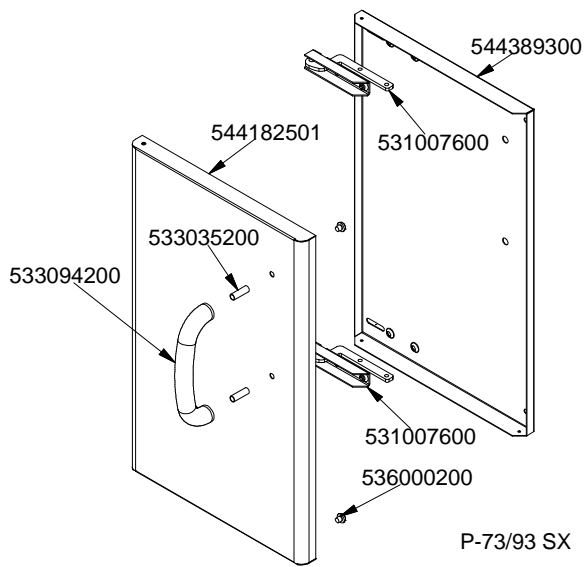
## CP-74G CP-78G



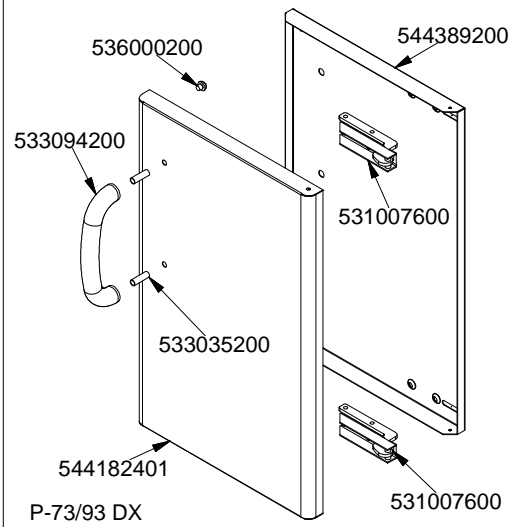
|                              | *         | **        |
|------------------------------|-----------|-----------|
| G30-28+30mbar<br>G31- 37mbar | 533020800 | 533030300 |
| G30- 50mbar                  | 533020800 | 533014800 |
| G20- 20mbar<br>G25- 25mbar   | 533020300 | 533055300 |
| G20- 20mbar<br>DE-AT         | 533020300 | 533055300 |
| G25- 20mbar                  | 533020300 | 533055500 |
| G25- 25mbar<br>NL            | 533020300 | 533055400 |

560034002M00P00

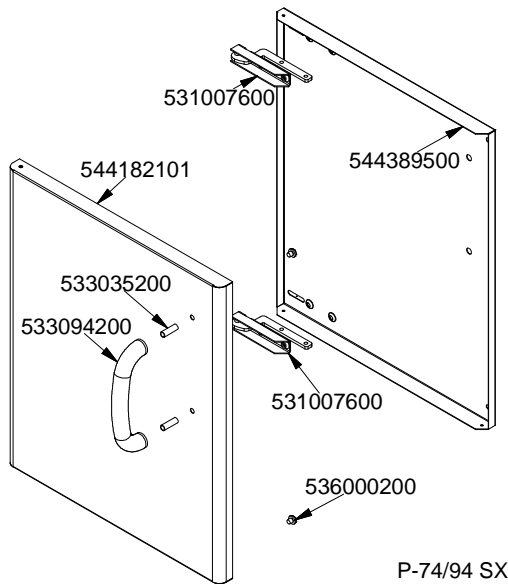
**PORTE / DOORS / FLÜGELÜREN / PORTES**



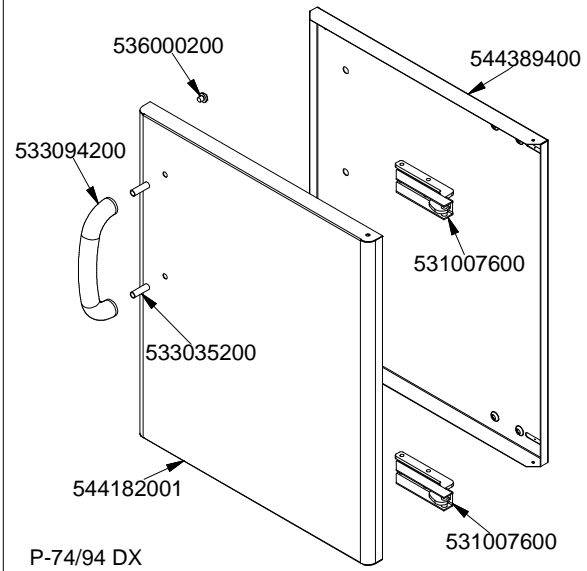
P-73/93 SX



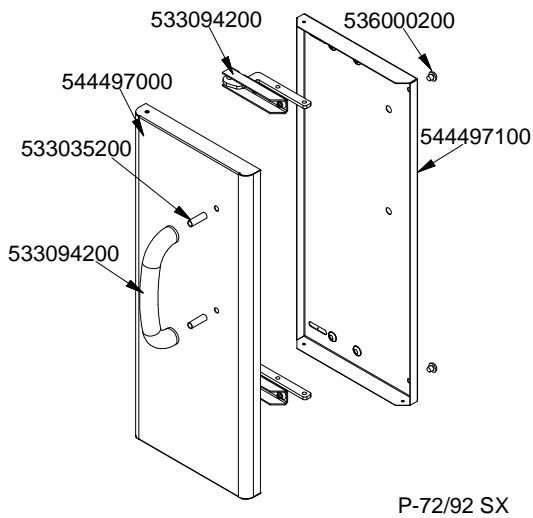
P-73/93 DX



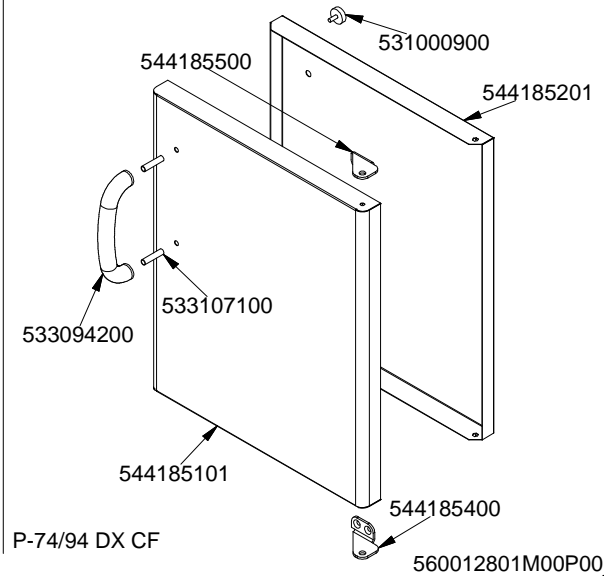
P-74/94 SX



P-74/94 DX

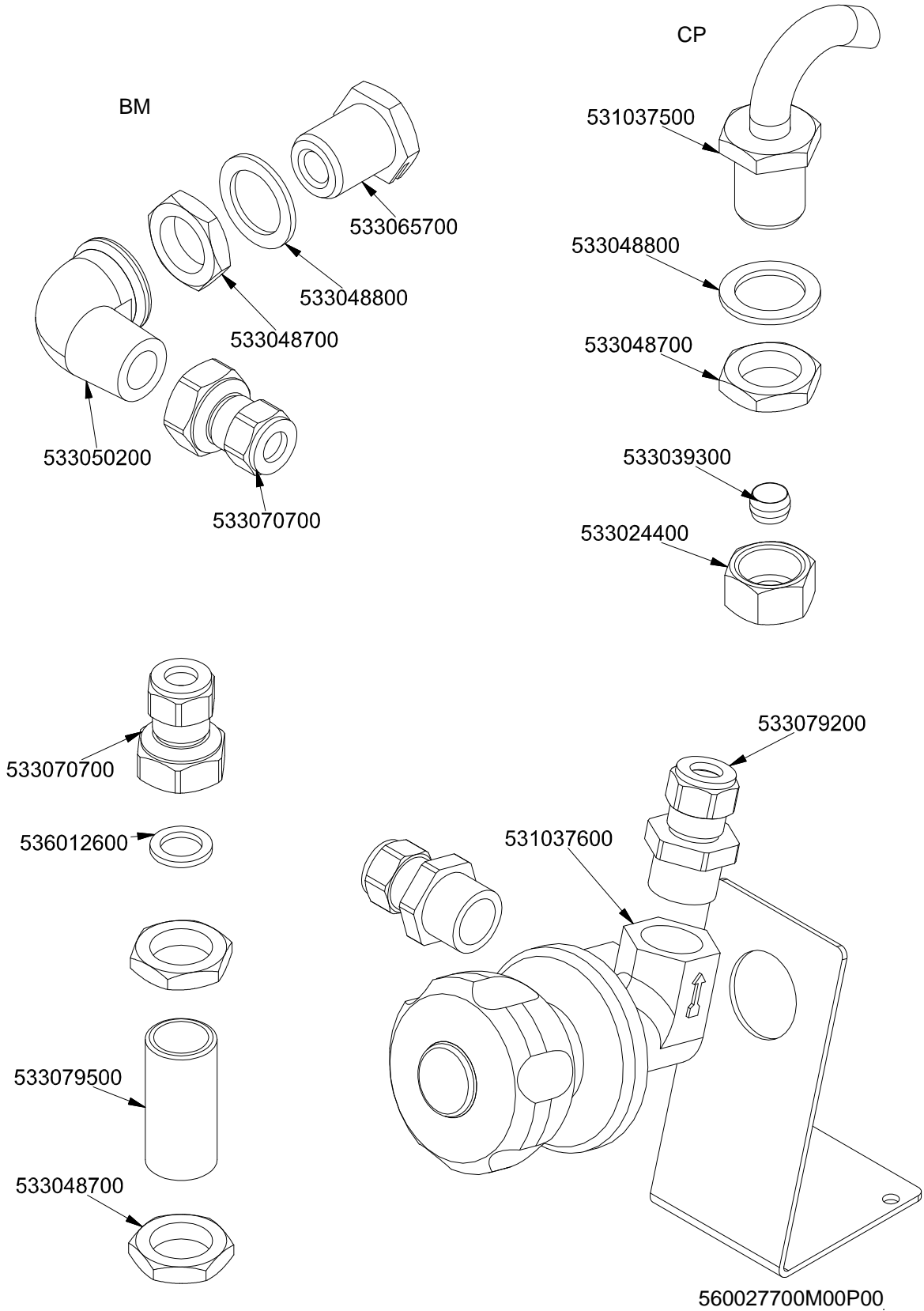


P-72/92 SX



P-74/94 DX CF

**BM CP**



| Page | Pos | Code      | Description                        |
|------|-----|-----------|------------------------------------|
| 001  |     | 541134600 | LOW SPACER 78 2 GRIDS              |
| 001  |     | 532004100 | FLUE GRID L=370 70LINE (RAF)       |
| 001  |     | 531021501 | BASKET SUPPORT GRID CP S.70        |
| 001  |     | 544412900 |                                    |
| 001  |     | 531042800 | SEMISPHERE FILTER                  |
| 001  |     | 541105802 |                                    |
| 001  |     | 546006100 | RUBBER TUBE §25INT.*§33EXT.*L=560  |
| 001  |     | 544173500 | LEFT SIDE PANEL S.70               |
| 001  |     | 531028600 | BURNER CP 70 LINE                  |
| 001  |     | 541106401 | CONTROL PANEL CP-78/98E            |
| 001  |     | 531018600 | BALL VALVE 1"G M-F CPM-62G         |
| 001  |     | 533040000 | 1"G F-F-F "T" FITTING              |
| 001  |     | 533039900 | PIPE HOLDER 1" G M D.24            |
| 001  |     | 533038200 | 1" G M-F ELBOW FITTING             |
| 001  |     | 544173400 | RIGHT SIDE PANEL S.70              |
| 001  |     | 536005200 | INOX LEG 2" 120-180 M10            |
| 002  |     | 533010800 | TUBE NUT D.10 M16*1,5              |
| 002  |     | 533039300 | BICONE §10                         |
| 002  |     | 531025600 | ELBOW 90° NOZZLE-HOLDER §10 PIPE   |
| 002  |     | 533010900 | NUT M14*1 H.4                      |
| 002  |     | 533047900 | BY PASS COCK §100 21S              |
| 002  |     | 539022600 | GRADUATED STICKER FOR KNOB         |
| 002  |     | 536019800 | BLACK KNOB §70 PIN §8*6,5          |
| 002  |     | 533018500 | FITTING FOR BICONE D.6 M10*1       |
| 002  |     | 533039100 | BICONE §6                          |
| 002  |     | 539018900 | INDEX FOR KNOB                     |
| 002  |     | 531032100 | GAS COCK 21S P.V.BY-PASS Ø100      |
| 002  |     | 533009500 | NIPPLE FOR BICONE 10S              |
| 002  |     | 533009400 | BICONE 10S                         |
| 002  |     | 537002800 | PIEZOELECTRIC IGNITION M18         |
| 002  |     | 533053600 | EUROSIT VALVE PLUG                 |
| 002  |     | 533011500 | PILOT BURNER 2 FLAMES 220          |
| 002  |     | 533045700 | THERMOCOUPLE M9*1 500              |
| 002  |     | 533010400 | BICONE D.6                         |
| 002  |     | 533085200 |                                    |
| 002  |     | 537008300 | ROUND PLUG §2,4- LONG ELECTRODE    |
| 002  |     | 533018600 | PLUG FITTING                       |
| 002  |     | 547003200 | HIGH-VOLTAGE CABLE TUBE.§2 L=500   |
| 002  |     | 533020800 | NOZZLE 0160-FLUSS. (25)            |
| 002  |     | 533030300 | NOZZLE §160 CH12*14 M-FPG          |
| 002  |     | 533014800 | NOZZLE §135 CH12*14,0              |
| 002  |     | 533020300 | NOZZLE 0160 (NATURAL GAS) 1-2 (41) |
| 002  |     | 533055300 | NOZZLE §235 CH12*14                |
| 002  |     | 533055500 | NOZZLE §255 CH12*14 L-CP70         |
| 002  |     | 533055400 | NOZZLE §245 CH12*14                |
| 003  |     | 544389300 |                                    |
| 003  |     | 531007600 | DOOR HINGE                         |
| 003  |     | 544182501 | LEFT DOOR 73                       |
| 003  |     | 533035200 |                                    |
| 003  |     | 533094200 | S/S HANDLE FOR 70/90 SERIES        |
| 003  |     | 536000200 | D.12 H.4 BUMPER                    |

| Page | Pos | Code      | Description                         |
|------|-----|-----------|-------------------------------------|
| 003  |     | 544389200 |                                     |
| 003  |     | 544182401 | RIGHT DOOR 73                       |
| 003  |     | 544389500 | INNER-DOOR OF LHD 74                |
| 003  |     | 544182101 | LEFT DOOR 74                        |
| 003  |     | 544389400 |                                     |
| 003  |     | 544182001 | RIGHT DOOR 74                       |
| 003  |     | 544497100 |                                     |
| 003  |     | 544497000 |                                     |
| 003  |     | 531000900 | MAGNET §22 KG.3 WITH DISK           |
| 003  |     | 544185500 | UPPER DOOR HINGE FOR COMPARTME CF70 |
| 003  |     | 544185201 |                                     |
| 003  |     | 533107100 |                                     |
| 003  |     | 544185101 | RIGHT DOOR 74 CF                    |
| 003  |     | 544185400 | LOWER DOOR HINGE FOR COMPARTME CF70 |
| 004  |     | 533065700 | FITTING FOR WATER INPUT 1/2G        |
| 004  |     | 533048800 | GASKET §30*§21*2 FIBRE              |
| 004  |     | 533048700 | NUT 1/2G ZN                         |
| 004  |     | 533050200 | 90° 1/2 M/F ELBOW FITTING           |
| 004  |     | 533070700 | FITTING 1/2G TUBE D10 + O-RING      |
| 004  |     | 531037500 |                                     |
| 004  |     | 533039300 | BICONE §10                          |
| 004  |     | 533024400 | HEXAGONAL NUT 1/2G TUBE D.10        |
| 004  |     | 533079200 | FITTING 1/2G F.TUBE D10 + O-RING    |
| 004  |     | 536012600 | GASKET §12,5*§18,5*2 1/2G           |
| 004  |     | 531037600 | TAP FOR WATER LOADING 1/2"GF CP 90  |
| 004  |     | 533079500 |                                     |