

Modify :

Drawn : A.V.

Date : 27-04-1995

Checked :

Revision nr :
Revision date :

Nr. of pages : 1/2
Drawing nr. : P30000

Animo
Amersfoort/Assen

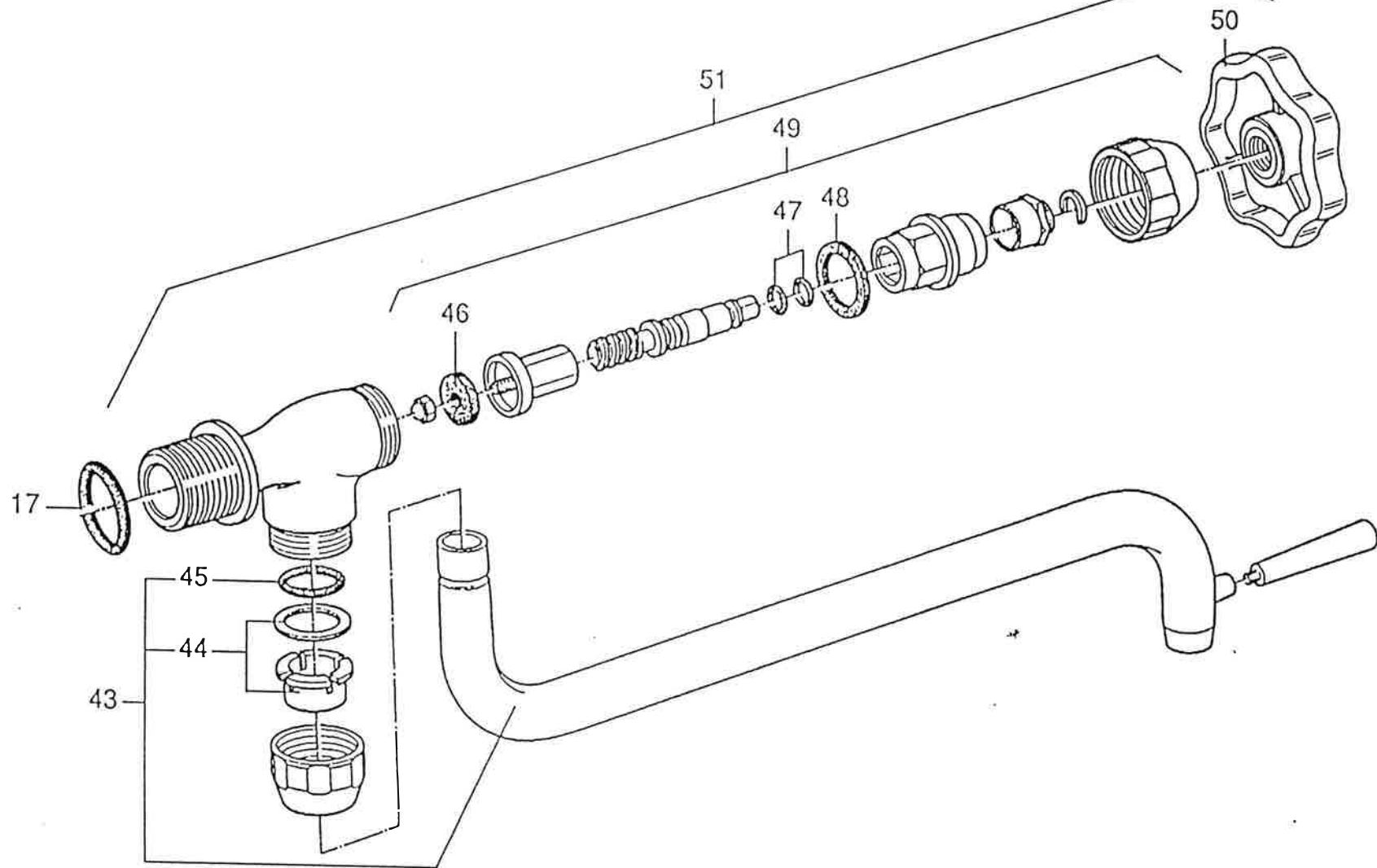
EXPLODED VIEW

Rated voltage : 1N- 220V 50-60Hz

Typ : WKI - 10 LITER 30000

From mach.nr : 2E09821

Date : 05/05



Typ : WKI-10 LITER 30000

From mach.nr : 2E09821

Date : 05/95

Drawor : A.V.

Date : 27-04-95

Checked : *[Signature]*

Modify :

Rated voltage : 1N- 220V 50-60Hz

EXPLODED VIEW

Animo
Amersfoort/Assen

Nr. of pages : 2/2

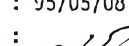
Drawing nr. : P30000

Revision nr :

Revision date :

Code	Artikelnr	Omschrijving	Description	Beschreibung	Designation
01	34156	ONTLUCHTINGSVENTIEL WKI	AIR RELEASE VALVE WKI	ENTLUFTUNGSVENTIL WKI	D'ECHEPPLEMENT D'AIR WKI
02	34166	DEKSEL WKI 10	COVER WKI 10	DECKEL WKI 10	COUVERCLE WKI 10
03	08071	O-RING 177x3.53mm PERBUNAH	O-RING 177x3.53mm PERBUNAH	O-RING 177x3.53mm PERBUNAH	O-ANNEAU 177x3.53mm PERBUNAH
04	34300	DOPJE PEILGLAS BESCHERMER PROD	GAUGE GLASS CAP	KAPPE SCHUETZUELZE	BOUCHON DU PROTECTEUR
05	34108	PEILGLAS BESCH CPL WKI10 L=360	G.G. PROTECTOR CPL WKI10 L=360	S.SCHUTZUELSE KPL WKI10 L=360	PROT.DE TUBE DE NIV.WKI10 L360
06	05246	PEILGLASHOUDER VLGS TEK 0-36-2	GAUGE GLASS HOLDER	SCHAUGLASHALTER	PORTE JAUGE
07	34107	PEILGLAS CPL WKI 10 L=366	GAUGE GLASS CPL WKI 10 L=366	SCHAUGLAS KPL WKI 10 L=366	TUBE DE NIV.CPL WKI10 L=366
08	08063	INDEX WKI 10 WKT 8/10	LITRE-INDEX WKI 10	LITERSKALA WKI 10	ECHELLE GRADUEE WKI 10
09	34102	PEILGLASHOEKLIJN WKI 10	ST.ST STRIP FOR INDEX WKI 10	ED.ST.STREIFEN FUR SKALA WKI10	INOX BANDE POUR INDEX WKI 10
10	34100	OVERLOOPPIJP WKI 10	OVERFLOW PIPE WKI 10	UEBERLAUFLEITUNG WKI 10	CONDUITE DE DEVERSOIR WKI 10
11	08041	PAKKINGRING 25x21 x 2 FIBER	FIBRE RING 25x21x2mm FIBER	DICHTUNG 25x21x2mm FIBER	BOURRAGE 25x21x2mm FIBER
12	07097	MOER MESS 1/2" CHR SLW24 CONNE	NUT 1/2" BRASS CHR	MUTTER 1/2" MESSING CHR.	ECROU 1/2" LAITON CHR.
13	04007	SPINDEL+HANDWIEL KRA/PGL 54115	SPIN.+HANDWII.TAP LEV.GAU.04006	SPIIND.+HANDR.HAHR/SCII.GL.04006	BRO.+VOL. DE MAN.ROB./JA.04006
14	04023	O-RING PEILGLASAAHNSLUITING	GAUGE GLASS O-RING	SCHAUGLAS O-RING	JOINT POUR TUBE DE NIVEAU
15	54113-K	KRAANSTUK 1/2x15x3/8 PLGL CHR	GAUGE GLASS TAP BODY	ECKVENTIL MIT SCHAUGL.ANSL.	ROBINET DE TUBE DE NIVEAU
16	54115	KRAAN PEILGLAS CPL WKI	GAUGE GLASS CPL WKI	ECKVENTIL M.SCHAUGL. KPL WKI	ROBINET DE TUBE DE NIV.CPL WKI
17	04070	O-RING 25.5x18.5x3.5	O-RING 25.5x18.5x3.5	O-RING 25.5x18.5x3.5	O-RING 25.5x18.5x3.5
18	34168-K	SIERRING ROZET CHR	ORNAMENTAL RING CHROME	ZIERRING CHR.	BAGUE ORNAMENTALE CHR.
19	07081	AFDICHTPLUG MESS 3/4u SW30 TRH	DRAIN PLUG 3/4" BRASS	STOPFEN 3/4" MESSING SW30	FICHE 3/4" LAITON
20	08044	PAKKINGRING 32x26.5x 3 FIBER	PACKING 32x26.5x3 FIBER	DICHTUNG 32x26.5x3 FIBER	BOURRAGE 32x26.5x3 FIBER
21	02354	KABELTREKONTLASTER Z-KLEMMEN	CABLE INLET	KABELEINFUEHRUNG	ENTREE DE CABLE
22	08150	AFDICHTINGSSTOP TYPE DP 437	PLUG	STOPFEN	BOUCHON
23	04075	OVERLOOPTRECHTER NO.215	OVERFLOW FUNNEL NO.215	UEBERLAUFTRICHTER	ETONNOIR DE TROP PLEIN
24	34165	ONDERBODEM WKI 10	BOTTOM WKI 10	BODEN WKI10	SOUSFOND WKI 10
25	07135	VERLENGSTUK 3/4x3/4"x50mm MS	EXTENDING PIECE 3/4x3/4"x50mmMS	VERLAENGERUNG 3/4x3/4"x50mmMS	RALLONGE 3/4x3/4"x50mm JAUNE
26	07071	AFTAPPLUG 3/4"xM6 MESS.	DRAIN PLUG 3/4"xM6 BRASS	ABLASSTOPFEN 3/4"xM6 MESSING	BOUCHON DE DRAINAGE 3/4"xM6 J
27	07142	HIPPEL MESS 1/2ux3/8u	DIMINISHING HIP.1/2"x3/8" BRASS	REDUZIERHIPPEL 1/2"x3/8" MESS.	RACCORD A VIS 1/2"x3/8" JAUNE
28	04086	VUILFILTER CPL CHR WKI	FILTER CPL CHR WKI	FILTER CPL CHR WKI	FILTRE CPL CHR WKI
29	07221	MESS.STAARTSTUK FI-10/100-1-16	TAIL PIECE 3/8" BRASS CHR.	SCIIWANSST. 3/8" MESS.CHR.	QUEUE 3/8" LAITON CHR.

Type : WKI 10 L HA 30000
From mach.nr.: 2E09821
Date : 95/05/08

Drawer : MT
Date : 95/05/08
Checked : 

Modify :

Rated voltage : 1N~ 220-240V 50-60Hz

PARTS LIST

***** ANIMO *****
Amersfoort Assen

Drawing nr. : M30000

Revision nr. : 0
Revision date : 950508

Code	Artikelnr	Omschrijving	Description	Beschreibung	Designation
30	07259	MOER MESS SPEC VERHOOGDE POS.B	NUT 3/4" BRASS CHR. FOR 07221	MUTTER 3/4"MESS.CHR FUER 07221	ECROU 3/4" CHR. POUR 07221
31	08040	PAKKINGRING 24x16 x 2 FIBER	FIBRE RING 24x16x2mm FIBER	DICHTUNG 24x16x2mm FIBER	BOURRAGE 24x16x2mm FIBER
32	34506-K	SIERRING THERMOSTAAT R=112 CHR	ORNAMENTAL RING TH.STAT. R=112	ZIERRING FUER THERMOSTAT R=112	ANNEAU DECORAT.THERMOST. R=112
33	34101	WATERTOEOVERPIJP WKI 10	WATER SUPPLY PIPE WKI 10	HASSERZULAUFROHR WKI 10	TUYAU ARRIVEE D'EAU WKI 10
34	07231	BESCHERMDOPJE M8x1 TBV DROOGK	PROTECTING CASE M8x1 BLACK	SCHUTZKAPPE M8x1 SCHWARZ	PROTEGE THERMOSTAT M8x1 NOIR
35	03040	KNOP THERMOSTAAT 30-100C 03090	KNOB OF THERMOSTAT (03090)	THERMOSTATKNOPF (03090)	BOUTON DE THERMOSTAT (03090)
36	06336	BLADVEER RVS 8/3-6/3	PLATE SPRING ST.ST. 8/3-6/3	BLATTFEDER EDELS. 8/3-6/3	LAME METALLIQUE INOX 8/3-6/3
37	06287	BLADVEER RVS 6/6	PLATE SPRING ST.ST.6/6	BLATTFEDER EDELS. 6/6	LAME METALLIQUE INOX 6/6
38	08047	PAKKINGRING 22x17 x 1.5 FIBER	PACKING 22x17x1.5 FIBER	DICHTUNG 22x17x1.5mm FIBER	BOURRAGE 22x17x1.5 FIBER
39	34772-K	MOER 3/8" x 4 MESS CHR	NUT 3/8" x 4 BRASS CHR.	MUTTER 3/8" x 4 MESS. CHR.	ECROU 3/8" x 4 JAUNE CHR.
40	07129	KNIE MESS CHR 3/8ux12i	ELBOW CHROME 3/8"x12mm	KNIEROHR CHR 3.8"x12mm	COUDE 3/8"x12mm CHROME
41	08267	BUS NYLON 6.2x10x5	SPACER NYLON 6.2x10x5	DISTANZHUELS POLYAM. 6.2x10x5	ENTRETOISES NYLON 6.2x10x5
42	03045	THERMOMETER 0-100 C WKI/T	THERMOMETER 1/4"	THERMOMETER 1/4"	THERMOMETRE 1/4"
43	04161	ZWENKARM S-MODEL 16x190mm	SHIVEL-ARM 190mm S-MODEL	SCHWENKAUSLAUF 190mm S-MODELL	BEC VERSEUR 190mm S-MODELE
44	04087	KLEMRING KURI KUNST 04002/4140	GASKET SHIVEL ARM 04002/4140	KLEMRING 04002/4140	JOINT BEC.VER.ORIE 04002/4140
45	04080	O-RING GROOT V/GROTEKRAAN	O-RING LARGE FOR LARGE TAP	O-RING GROSS V/GROSSE HAHN	O-ANNEAU GRAND POUR ROBINET GR
46	04028	KRAANLEERTJE KURI 04002/04140	TAPLEATH.KURI-TAP 04002/04140	DICHTUNG KURI-HAHN 04002/04140	TAN.DE ROB.KURI 04002/04140
47	04113	O-RING 8x4.4x1.8	O-RING 8x4.4x1.8	O-RING 8x4.4x1.8	O-ANNEAU 8x4.4x1.8
48	04191	PAKKINGRING 24x20 x 2 FIBER	GASKET RING SPINDLE KURITAP	DICHTUNGRING SPINDEL ZAPFHANN	ANNEAU JOINT BROCHE ROBI.KURI
49	04003	SPINDEL KURI 04002+04140 WKI	SPINDLE KURI 04002+04140 WKI	SPINDEL KURI 04002+04140 WKI	BROCHE KURI 04002+04140 WKI
50	04004	HANDWIEL KURI 04002+04140 WKI	VAL.HANDW.KURI 04002+04140 WKI	VEN.HANDR.KURI 04002+04140 WKI	VOL.DE MAN.KURI04002+04140 WKI
51	04140	KRAAN KURI 3/4 tbv WKI	KURITAP 3/4 WKI	ZAPFHANN 3/4 WKI	ROBINET KURI 3/4 WKI

Type : WKI 10 L HA 30000
From mach.nr.: 2E09821
Date : 95/05/08

Drawer : MT
Date : 95/05/08
Checked : 
Modify :

Code	ArtikeINr	Omschrijving	Description	Beschreibung	Designation
E1	03022	EL.WATER 3200W WKI/MW(R) 230V	ELEMENT 3200W WKI/MW(R) 230V	HEIZKOERPER 3200W WKI/MW(R)230	RESISTANCE 3200W WKI/MW(R)230
K1	02013	MAGN.SCH B6-16A 220V50/60Hz	RELAY B6-16A 220V50/60Hz	MAGN.SCHALTER B6-16A 220V5/6Hz	RELAIS B6-16A 220V50/60Hz
S1	02117	SCHAKELAAR WIP 1P GR	E SWITCH 1P GREEN SOLE	SCHALTER 1P GRUEN E	INTERRUPTEUR 1P VERT S
S2	02100	SCHAKELAAR PULS 1P ZW	E SWITCH IMPULSE 1P BLACK	SCHALTER IMPULSE 1P SCHWARZ	INTERRUPTEUR IMPULSION 1P NOIR
S3	03090	THERMOSTAAT 0-100 WKI/MWR	THERMOSTAT WKI	THERMOSTAT WKI	THERMOSTAT WKI
S4	03093	DROOGKOOKBEV. B-SERIE	DRY-BOIL PROTECTION	TROCKENGEHSCHUTZ 16 (4) 380V	SECURITE CONTRE CHAUFFE A SEC
W1	02178	AANSLSN 3x1.5m 1.50m R	CABLE WITH PLUG 3x1.5 1.5m R	ANSCHLUSSKABEL 3 X 1 1/2 MTR	CORDON D'ALIMENTATION 3x1.5m
X1	02035	KROONSTEEN 2 POLIG KL20/2PA	HEAD STONE 2 POLES KL20/2PA	KONTAKTKLOTZ 2-POLIG AROMATIC	BLOQUE DE COUR. 2P KL20/2PA
Y1	02108	MAGNV SPOEL 220/240V 50/60Hz S	SOLENOID COIL 220-240 50/60Hz S	MAGN.V.SPULE 220-240V 50/60HzS	BOBINE ELECTROV.220-240V 50/60S
Y2	02019	MAGNV WKI MESS 220/240-50/60 S	SOLENOID WKI 220-240 50/60Hz	MAGNETVENT WKI 220-240 50-60Hz	ELECTROV. WKI 220-240 50-60Hz

Type : WKI 10 LITER 30000	Drawer : MT	Modify : Rev.1 schakelaar S2 vervangen door puls schakelaar
From mach.nr.: 30497	Date : 93/12/06	
Date : 90/11/01	Checked :	
Rated voltage : 1N~220V 50/60Hz	PARTS LIST	***** ANIMO *****
	Amersfoort Assen	Nr. of pages : 1
		Drawing nr. : E30000
		Revision nr. : 1
		Revision date : 901101