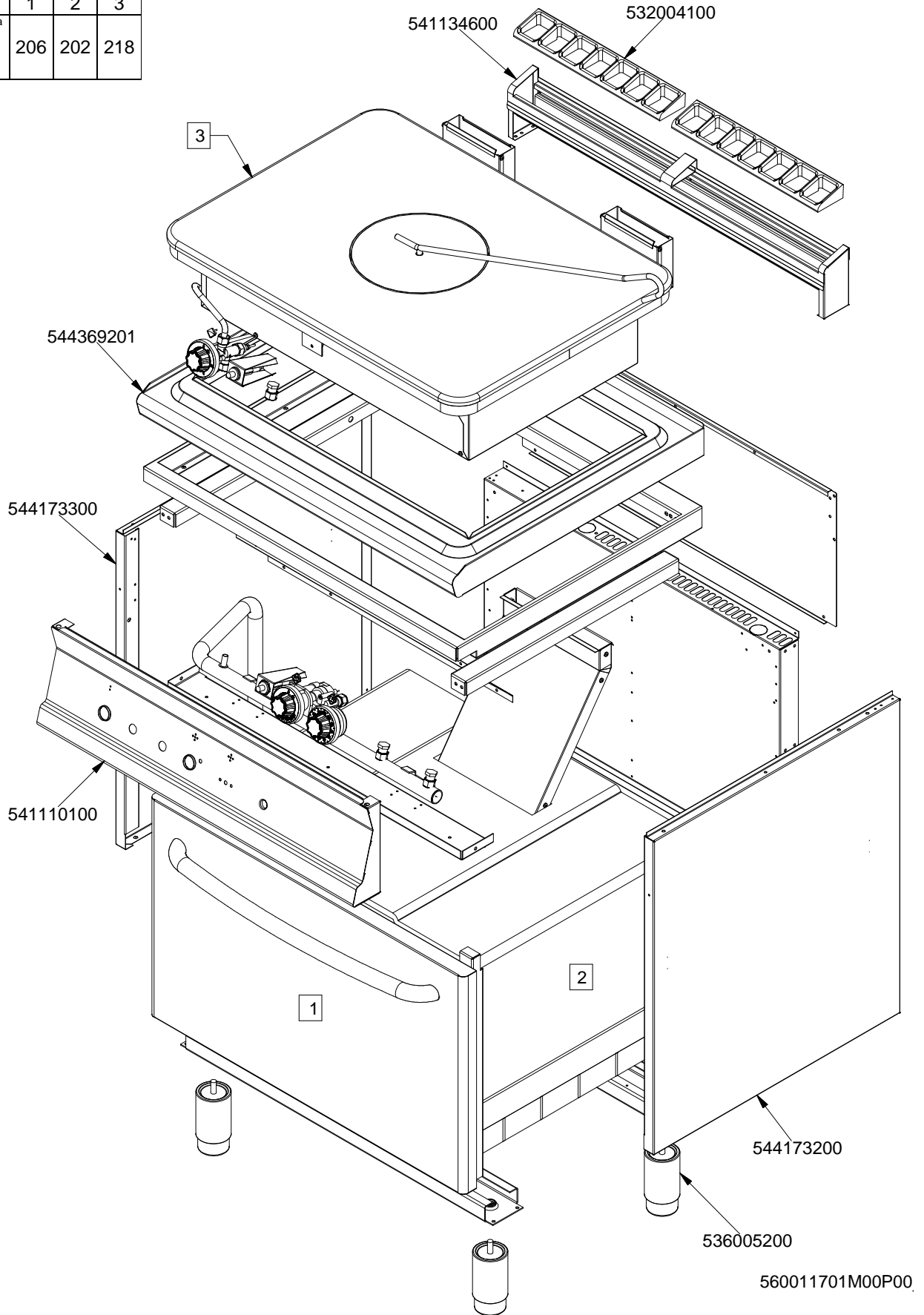


**SUPERLOTUS 70≥0602**  
**CUCINE / RANGES / HERDE / CUISINIÈRES**  
 TPF...

**TPF-78G**

	1	2	3
Vedi Pagina See Page Siehe Seite Voir Page Ver Pàgina	206	202	218

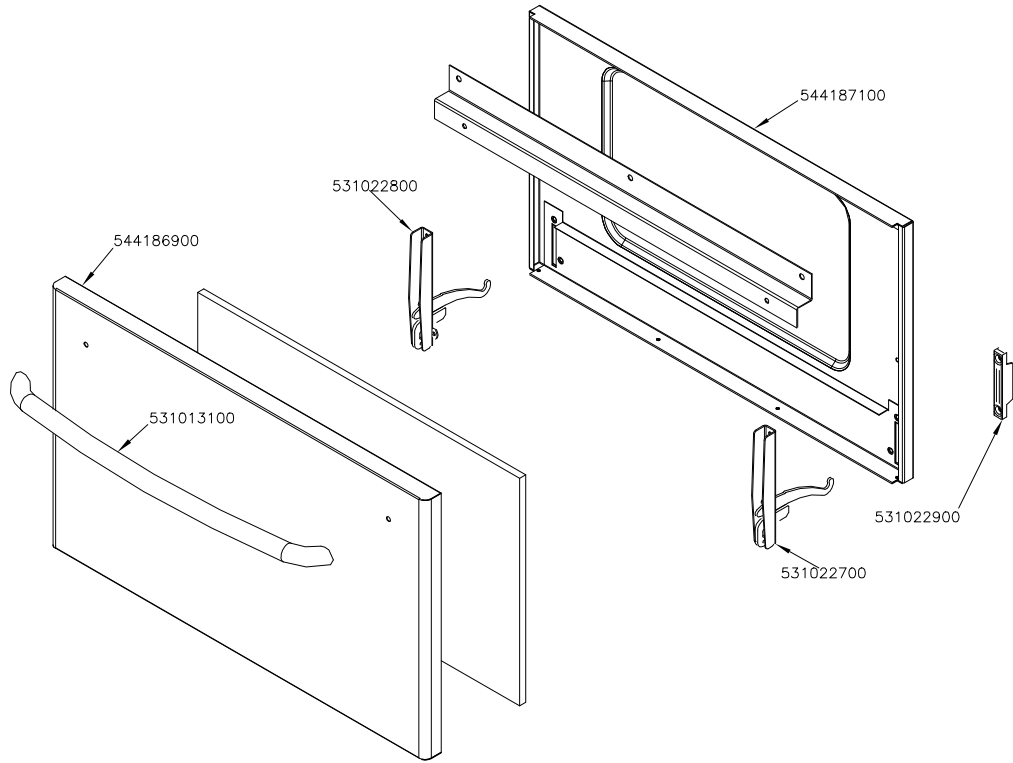


560011701M00P00

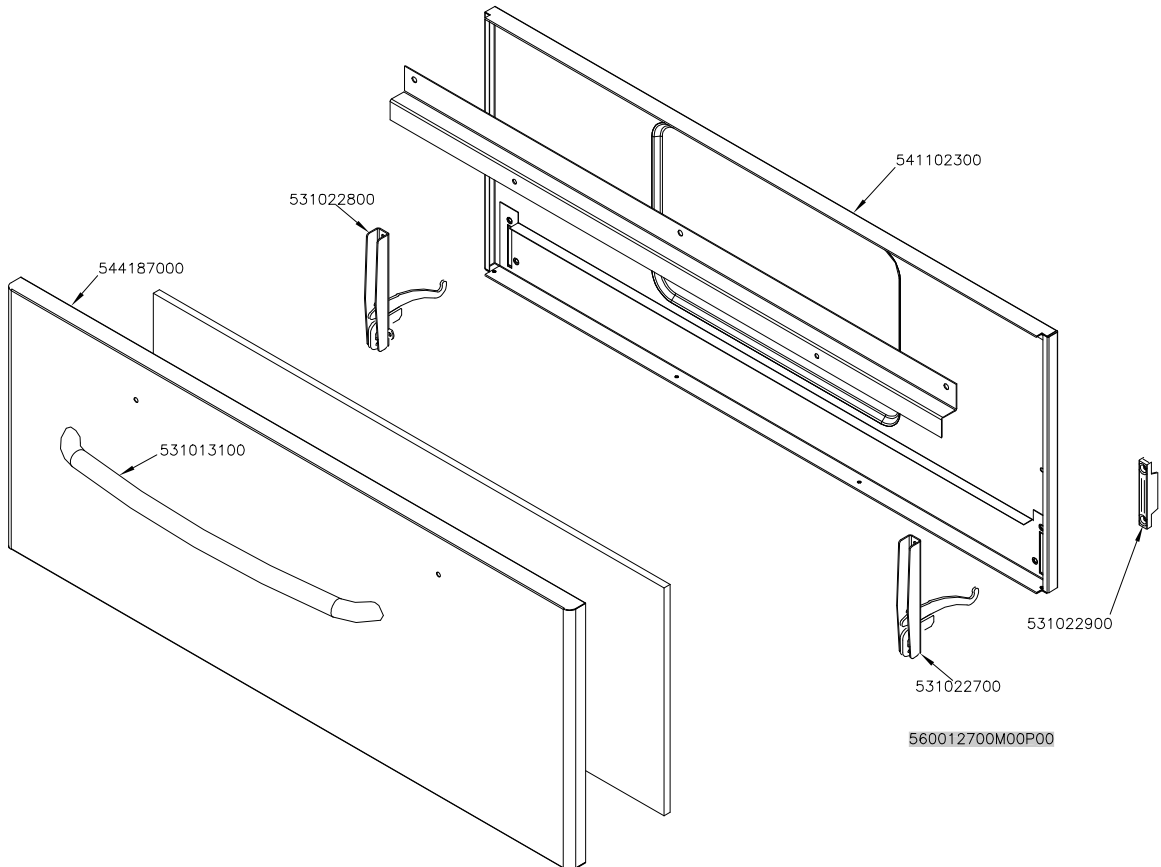
**SUPERLOTUS 70≥0602**  
CUCINE / RANGES / HERDE / CUISINIÈRES  
FORNO / OVEN / BACKOFEN / FOUR

**PORTE / DOORS / TÜREN / PORTES**

GN 2/1

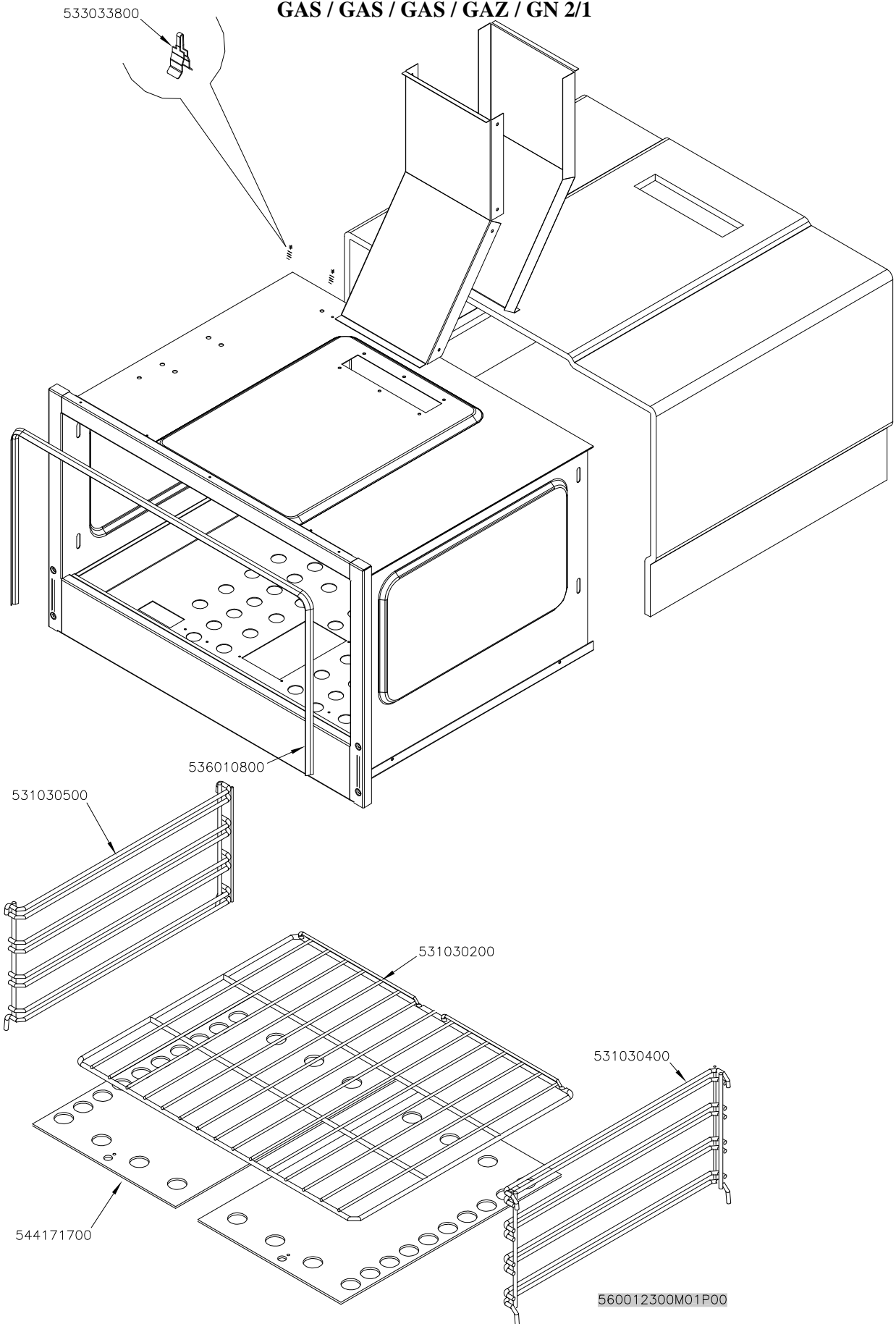


GN 3/1



**SUPERLOTUS 70≥0602**  
CUCINE / RANGES / HERDE / CUISINIÈRES  
FORNO / OVEN / BACKOFEN / FOUR

**GAS / GAS / GAS / GAZ / GN 2/1**

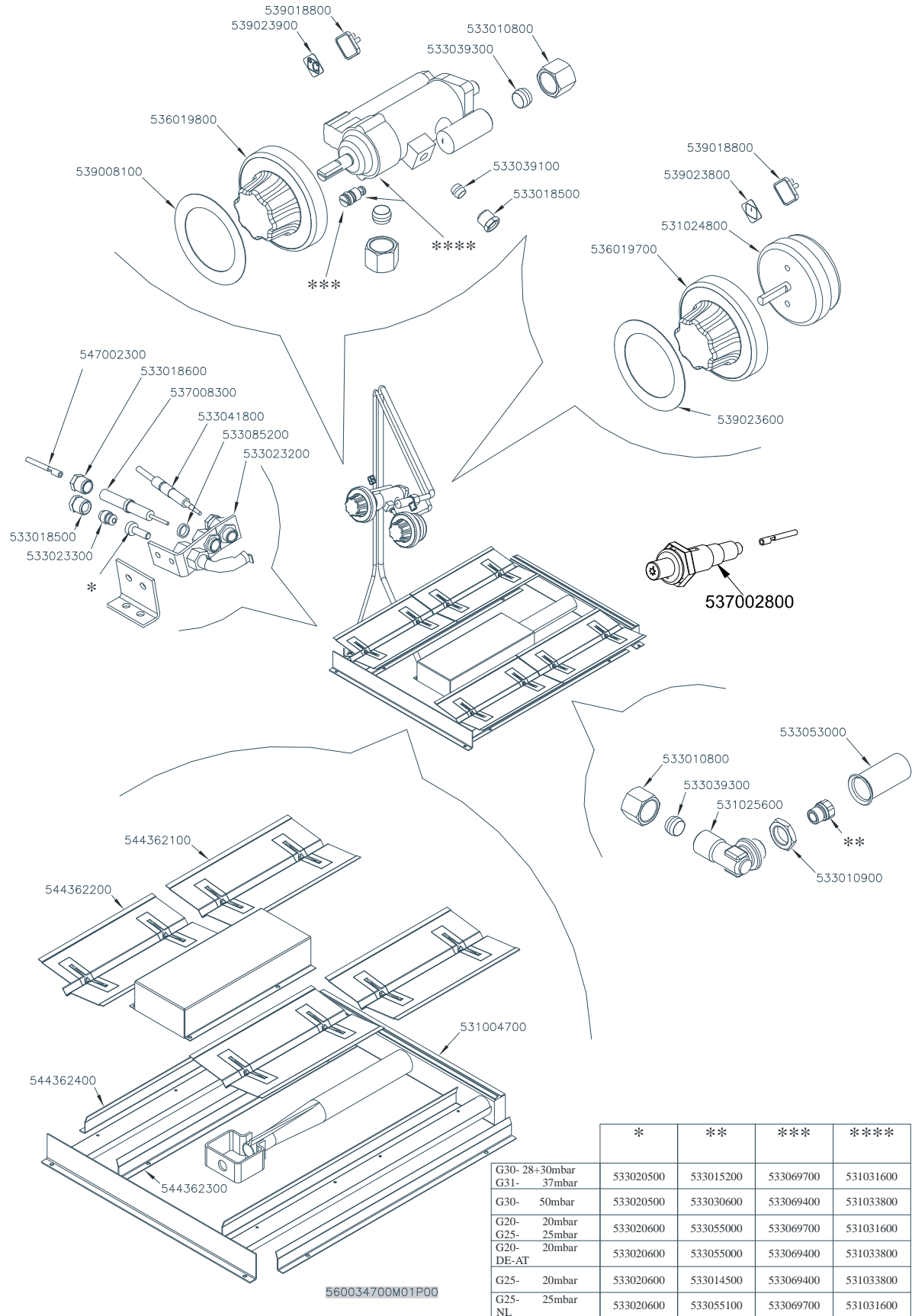


# SUPERLOTUS 70≥0602

## CUCINE / RANGES / HERDE / CUISINIÈRES

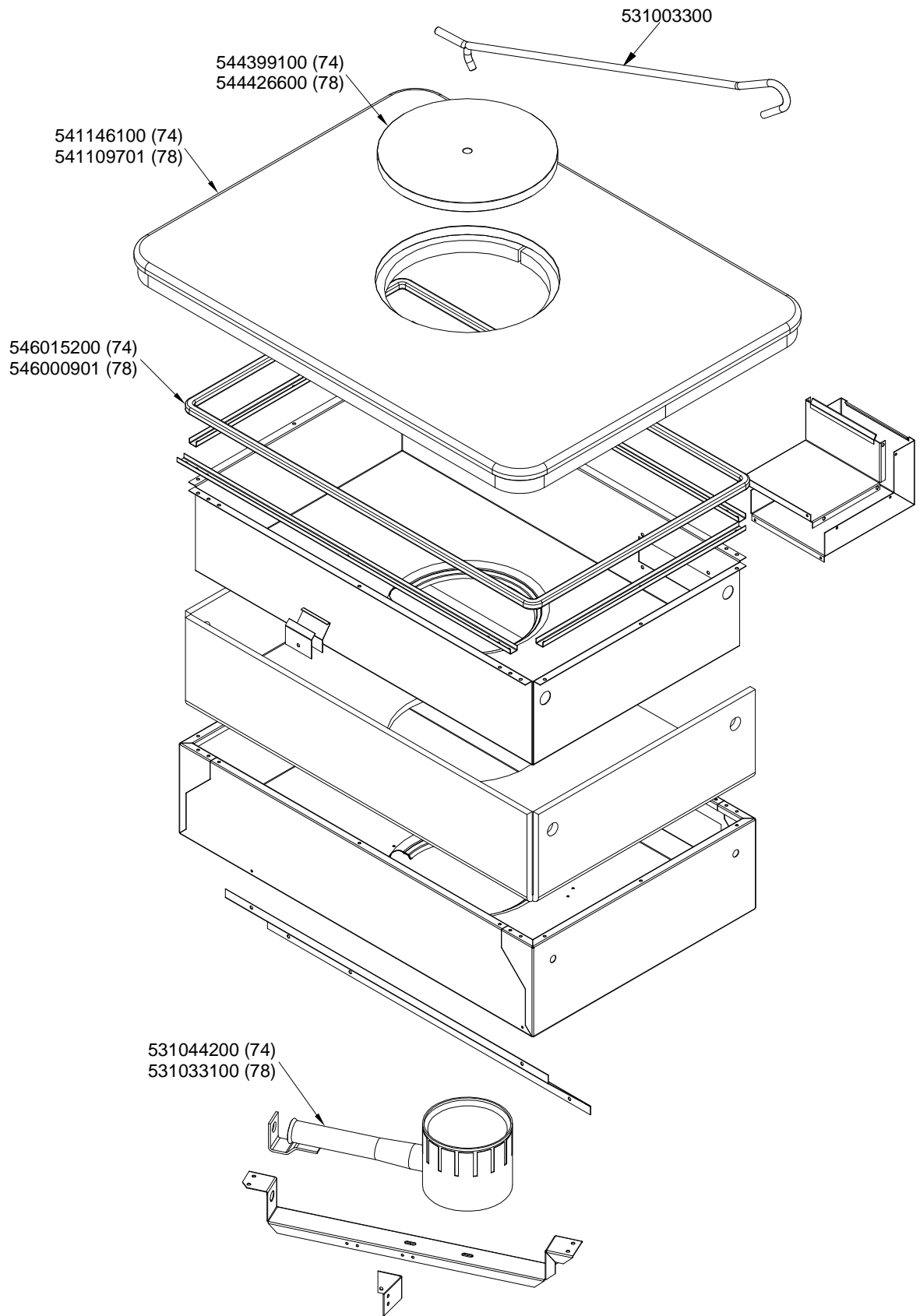
### FORNO / OVEN / BACKOFEN / FOUR

**GAS / GAS / GAS / GAZ / GN 2/1**



	*	**	***	****
G30- 28+30mbar	533020500	533015200	533069700	531031600
G31- 37mbar	533020500	533030600	533069400	531033800
G30- 50mbar	533020600	533055000	533069700	531031600
G20- 20mbar	533020600	533055000	533069400	531033800
G25- 25mbar	533020600	533014500	533069400	531033800
G20- 20mbar	533020600	533055100	533069700	531031600
DE-AT				
G25- 20mbar	533020600	533014500	533069400	531033800
G25- 25mbar	533020600	533055100	533069700	531031600
NL				

**TP**

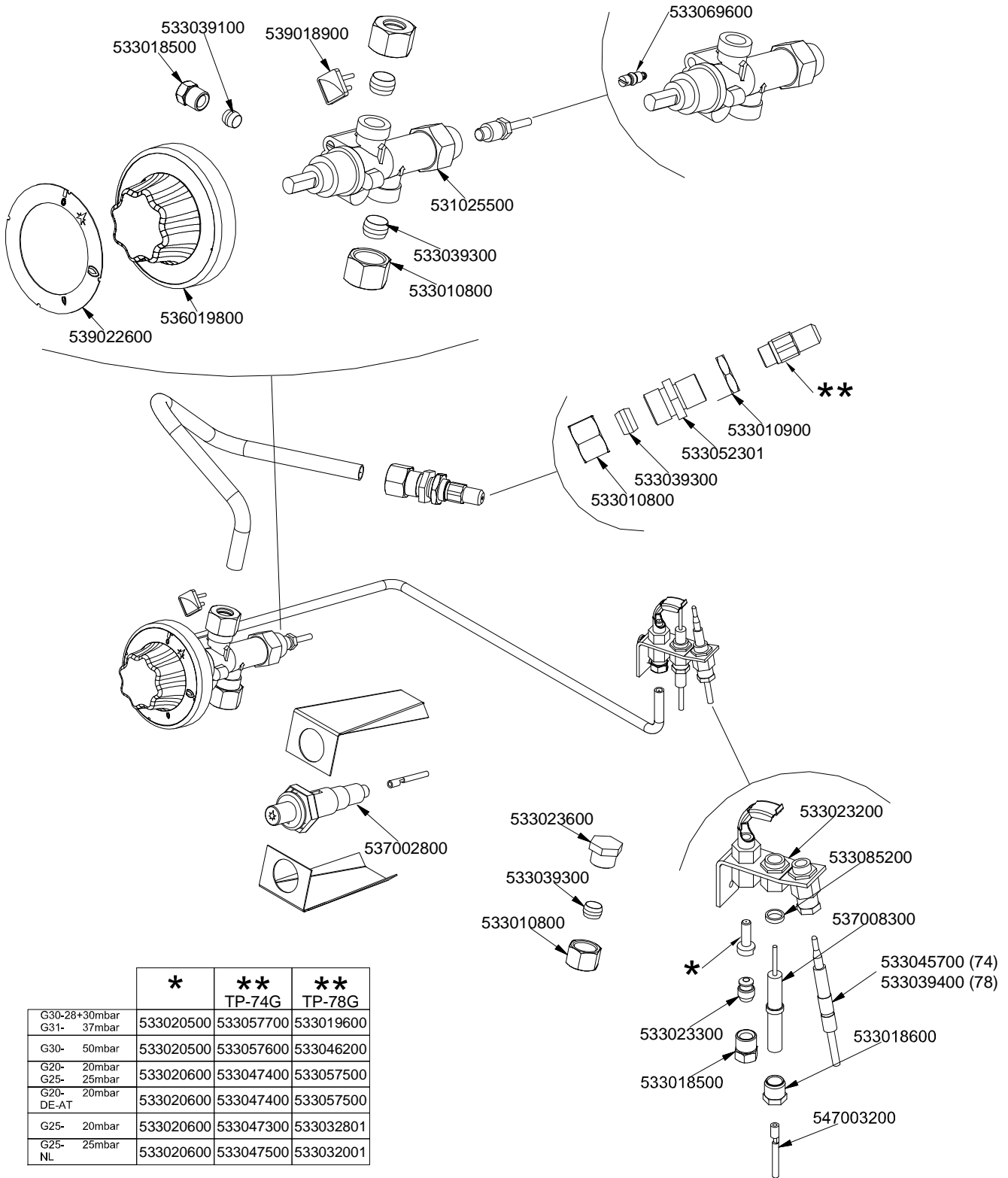


560041400M00P00

# SUPERLOTUS 70≥0602

COMPONENTI COMUNI / STANDARDS PARTS / UEBLICHE TEILE / COMPOSANTS COMMUNS

## TP



	*	**	**
		TP-74G	TP-78G
G30-28+30mbar G31- 37mbar	533020500	533057700	533019600
G30- 50mbar	533020500	533057600	533046200
G20- 20mbar G25- 25mbar	533020600	533047400	533057500
G20- 20mbar DE-AT	533020600	533047400	533057500
G25- 20mbar	533020600	533047300	533032801
G25- 25mbar NL	533020600	533047500	533032001

560035102M00P00

Page	Pos	Code	Description
001		532004100	FLUE GRID L=370 70LINE (RAF)
001		541134600	LOW SPACER 78 2 GRIDS
001		544369201	UPPER PLATE TP-78G
001		544173300	LEFT SIDE PANEL RANGE S.70
001		541110100	CONTROL PANEL TPF-78G
001		544173200	RIGHT SIDE PANEL RANGE S.70
001		536005200	INOX LEG 2" 120-180 M10
002		531013100	OVEN DOOR HANDLE OF 70/90-LINE
002		544186900	OVEN DOOR GN 2/1 S.70
002		531022800	LEFT OVEN DOOR HINGE S.70
002		544187100	OVEN INNER DOOR GN 2/1 S.70
002		531022900	HINGE DOOR WHEEL HOLDER S.70
002		531022700	RIGHT OVEN DOOR HINGE 70LINE
002		544187000	OVEN DOOR GN 3/1 S.70
002		541102300	GAS OVEN INNER DOOR GN 3/1 S.70
003		533033800	LOCK SPRING FOR BULB §6
003		536010800	OVEN GASKET GN 2/1 (1261)
003		531030500	LHD SUPPORT GRID FOR OVEN OF 70LINE
003		531030200	OVEN GRID GN 2/1 FOR 70 LINE
003		531030400	RHD SUPPORT GRID FOR OVEN OF 70LINE
003		544171700	BOTTOM FOR GAS OVEN GN2/1 700LINE
004		539018800	INDEX FOR OVEN KNOB
004		539023900	SIGN PLATE FOR OVEN TEMPERATURE
004		536019800	BLACK KNOB §70 PIN §8*6,5
004		539008100	ADHESIVE GRADUATED DISC FOR KNOB
004		533010800	TUBE NUT D.10 M16*1,5
004		533039300	BICONE §10
004		533039100	BICONE §6
004		533018500	FITTING FOR BICONE D.6 M10*1
004		539023800	SIGN PLATE FOR OVEN TIMER
004		531024800	TIMER 120'- 360°
004		536019700	BLACK KNOB §70 PIN §6*5
004		539023600	ADHESIVE GRADUATED DISC FOR KNOB
004		547002300	HIGH-VOLTAGE CABLE §2 L=1900
004		533018600	PLUG FITTING
004		537008300	ROUND PLUG §2,4- LONG ELECTRODE
004		533041800	THERMOCOUPLE 1500 M9*1
004		533085200	
004		533023200	"TARGET" PILOT + NIPPLE TC BRAC.90°
004		533023300	BICONE §6 ("TARGET" PILOT)
004		537002800	PIEZOELECTRIC IGNITION M18
004		533053000	AIR ADJUSTMENT BUSHING §18
004		531025600	ELBOW 90° NOZZLE-HOLDER §10 PIPE
004		533010900	NUT M14*1 H.4
004		544362100	UPPER BURNER DEFLECTOR FOR OVEN 70
004		544362200	UPPER PILOT DEFLECTOR FOR OVEN 70
004		531004700	BURNER FOR OVEN GN 2/1 S.70
004		544362400	SIDE PILOT DEFLECTOR FOR OVEN 70
004		544362300	SIDE BURNER DEFLECTOR FOR OVEN 70
004		533020500	NOZZLE 0.140 §19
004		533015200	NOZZLE §145 CH12*14 F-FP/CP6

Page	Pos	Code	Description
004		533069700	BY PASS COCK §075 25ST
004		531031600	HORIZON.THERMOSTATIC TAP BY-PASS 75
004		533030600	NOZZLE §125 CH12*14
004		533069400	BY PASS COCK §065 25ST
004		531033800	HORIZON.THERMOSTATIC TAP BYPASS §65
004		533020600	NOZZLE 0.140 §27
004		533055000	NOZZLE §205 CH12*14 G25 CW4
004		533014500	NOZZLE §225 CH12*14 OVEN GN 2/1
004		533055100	NOZZLE §215 CH12*14 L-CW4
005		531003300	TP-PLATE LIFTING HOOK
005		544426600	PLATE RING FOR TP-98G
005		541109701	UPPER PLATE TP-78G
005		546000901	SQUARE BRAID OF INSULATING MATERIAL
005		531033100	BURNER TP..-78G
006		533069600	BY PASS COCK §130 20S-21S
006		539018900	INDEX FOR KNOB
006		533039100	BICONE §6
006		533018500	FITTING FOR BICONE D.6 M10*1
006		531025500	GAS COCK 21S P.V.BY-PASS Ø130
006		533039300	BICONE §10
006		533010800	TUBE NUT D.10 M16*1,5
006		536019800	BLACK KNOB §70 PIN §8*6,5
006		539022600	GRADUATED STICKER FOR KNOB
006		533010900	NUT M14*1 H.4
006		533052301	JOINT FOR NOZZLE HOLDER
006		537002800	PIEZOELECTRIC IGNITION M18
006		533023600	TAP PLUG §10 M16*1, 5CH19
006		533023200	"TARGET" PILOT + NIPPLE TC BRAC.90°
006		533085200	
006		537008300	ROUND PLUG §2,4- LONG ELECTRODE
006		533039400	THERMOCOUPLE M9*1*850
006		533023300	BICONE §6 ("TARGET" PILOT)
006		533018600	PLUG FITTING
006		547003200	HIGH-VOLTAGE CABLE TUBE.§2 L=500
006		533020500	NOZZLE 0.140 §19
006		533057700	NOZZLE §130A CH12*30 F-BRF74
006		533019600	NOZZLE §165 CH12*30 MH-FT5 H-FT6
006		533057600	NOZZLE §115A CH12*30 G-BRF74
006		533046200	NOZZLE §150 CH12X30 L-BR TP
006		533020600	NOZZLE 0.140 §27
006		533047400	NOZZLE §195 CH12*30 M-BM8
006		533057500	NOZZLE §260 CH12X30
006		533047300	NOZZLE §215 CH12*30 L-BM8
006		533032801	NOZZLE §280 CH12*30 M-CPM
006		533047500	NOZZLE §205 CH12*30 ML-BM-8G
006		533032001	NOZZLE §270 CH12*30 MH-CPM