

# **CM1200R Parts List**

## **Table of Contents**

**Cabinet**

**Refrigeration**

**Water System**

**Control Box**

**Remote Condenser**

**Wiring Diagrams**

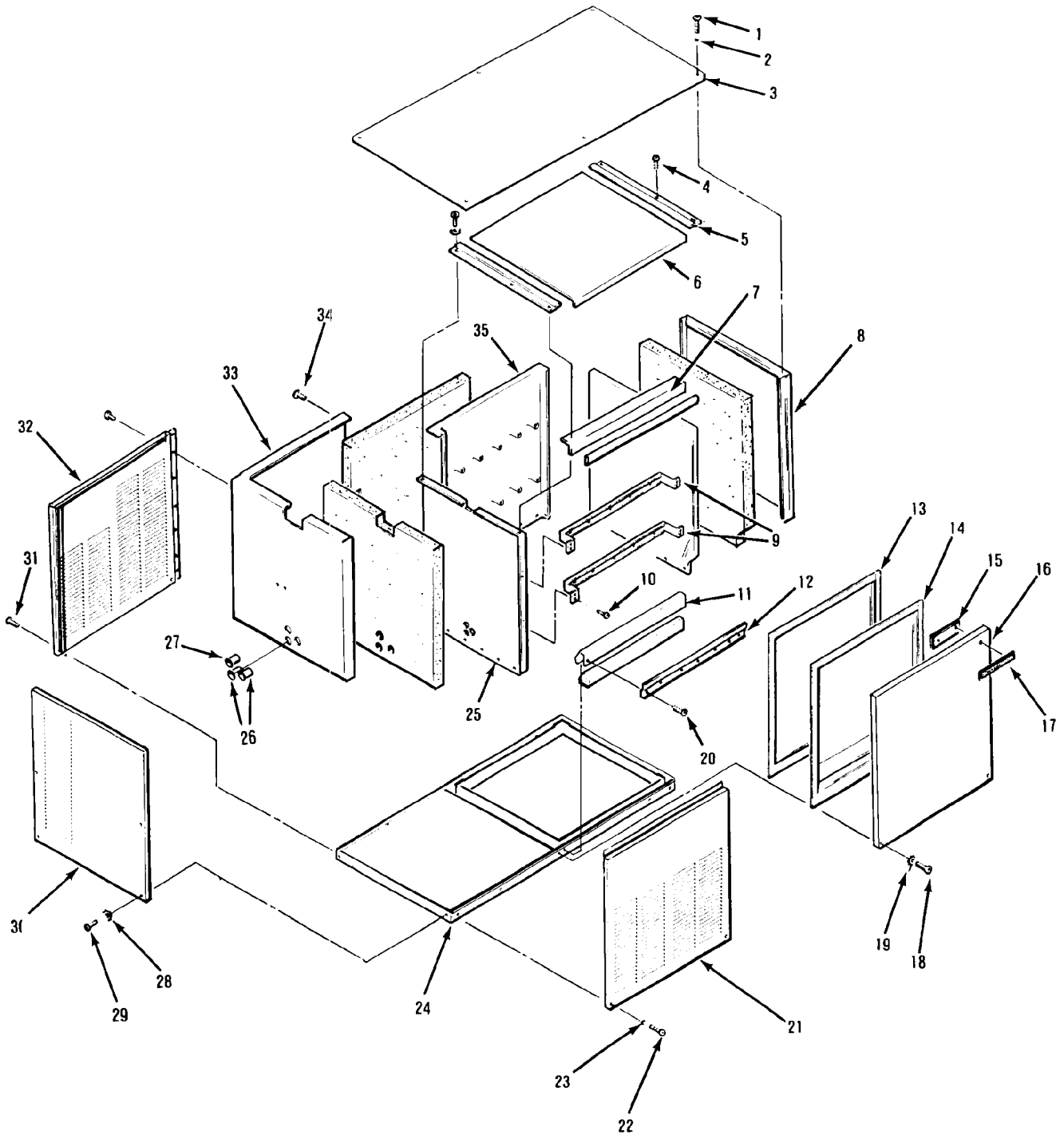
# CM1200R

## THE PARTS ILLUSTRATIONS AND PARTS LISTS

### CABINET ASSEMBLY

ITEM NUMBER	PART NUMBER	DESCRIPTION
1	03-1404-09	(6) Screws, 8 x 1/2
2	03-1407-03	(2) Washers
3	A30744-001	Panel Top (Enamel)
	A30744-002	Panel Top (Stainless Steel)
4	03-1404-10	Screw, 8 x 1/2 (Stainless Steel)
5	<i>No Number</i>	Liner Guide
6	A30329-001	Liner Top
7	<i>No Number</i>	Upper Front Brace
8	A29164-003	Right Panel (Enamel)
	A29164-002	Right Panel (Stainless Steel)
9	A29204-001	Brace Front
10	03-1404-10	Screw 8 x 1/2 (Stainless Steel)
11	02-2532-01	Liner Cap
12	<i>No Number</i>	Liner Guide
13	13-0595-00	Gasket — Foam
14	02-2795-01	Liner Front Panel
15	03-0271-00	(2) Speed Clip
16	A30743-001	Panel, right front (Enamel)
	A30743-001	Panel, right front (Stainless Steel)
17	15-0711-01	Emblem
18	03-1404-19	(2) Screws, 8 x 1
19	03-1417-03	(2) Washers
20	03-1404-10	(8) Screws, 8 x 1/2 (Stainless Steel)
21	A30742-001	Panel, left front (Enamel)
	A30742-002	Panel, left front (Stainless Steel)
22	03-1404-19	(2) Screws 8 x 1
23	03-1417-03	(2) Washers
24	<i>No Number</i>	Base Fab Assembly
25	02-2533-01	Liner Left Side
26	<i>No Number</i>	(4) Bushing
27	<i>No Number</i>	(2) Bushing
28	03-1407-03	(2) Washer
29	03-1404-10	(4) Screws 8 x 1/2 (Stainless Steel)
30	A29168-003	Panel, left side (Enamel)
	A29168-002	Panel, left side (Stainless Steel)
31	03-1404-09	(4) Screws, 8 x 1/2
32	A30604-001	Panel, left back
33	<i>No Number</i>	Retainer
34	03-1404-09	(4) Screws 8 x 1/2
35	02-2531-01	Liner back

# CM1200R THE PARTS ILLUSTRATIONS AND PARTS LISTS

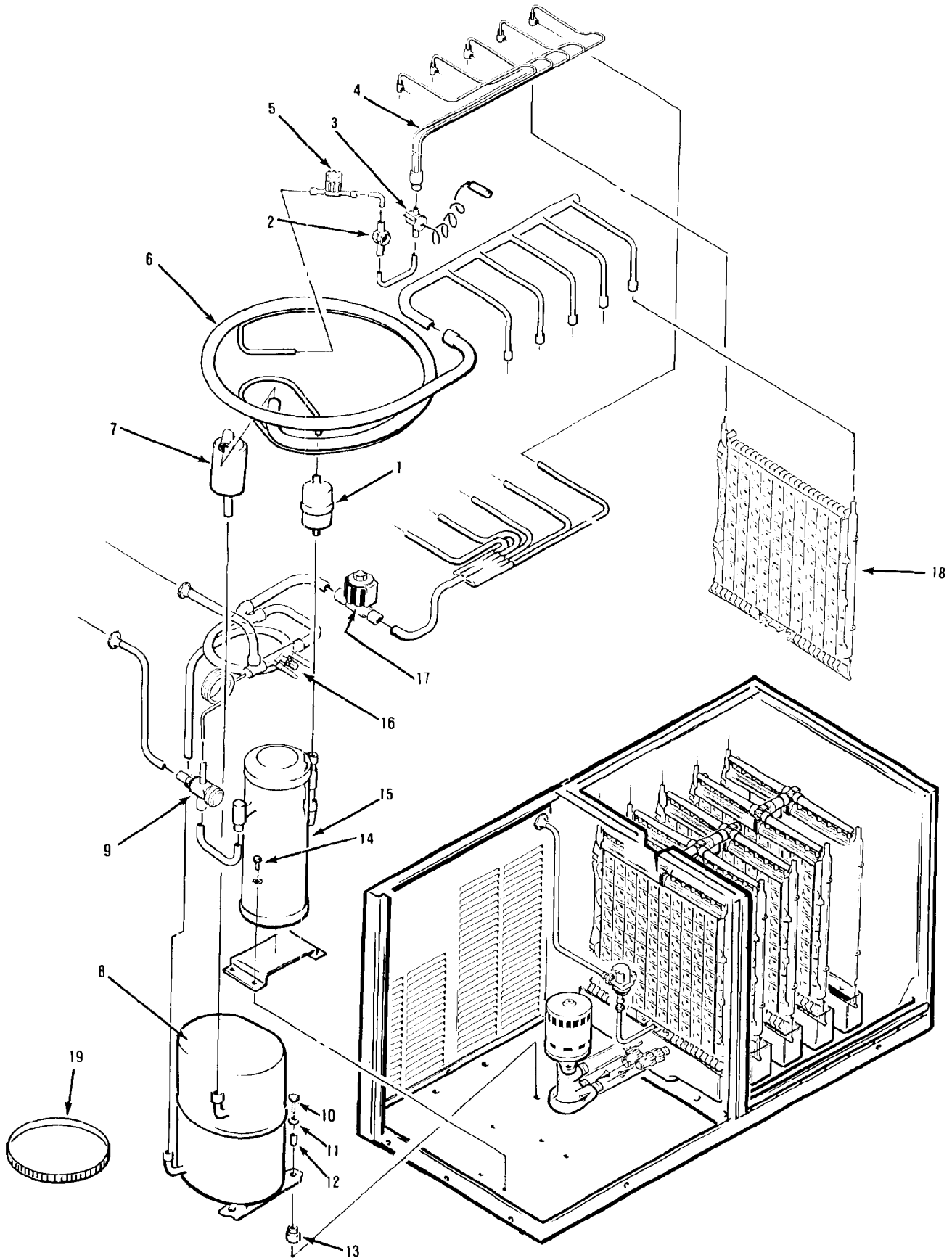


**CM1200R**  
**THE PARTS ILLUSTRATIONS AND PARTS LISTS**

**REFRIGERATION SYSTEM**

<b>ITEM NUMBER</b>	<b>PART NUMBER</b>	<b>DESCRIPTION</b>
1	02-2426-02	Drier
2	16-0762-01	Sight Glass
3	16-0758-01	Thermostatic Expansion Valve
4	A30631-001	Evaporator Inlet Assembly
5	12-2257-01	Liquid Line Solenoid Valve
6	A30620-001	Suction Line Heat Exchange
7	16-0760-01	Accumulator
8	18-5100-02	Compressor 208-230/60/1
	18-5100-03	Compressor 230/60/3
9	11-0422-01	Head Pressure Regulator
10	03-1405-20	Screw 5/16 - 18 x 1-1/2
11	03-1407-07	Washer
12	18-5100-50	Sleeve
13	18-5100-51	Grommets
14	13-0571-01	Screw 1/4-20 x 3/4
15	16-0761-01	Receiver
16	16-0673-35	Process Header
17	12-2146-02	Hot Gas Valve
18	A30296-020	Evaporator Plate
19	12-1868-03	Crankcase Heater

# CM1200R THE PARTS ILLUSTRATIONS AND PARTS LISTS



# CM1200R

## THE PARTS ILLUSTRATIONS AND PARTS LISTS

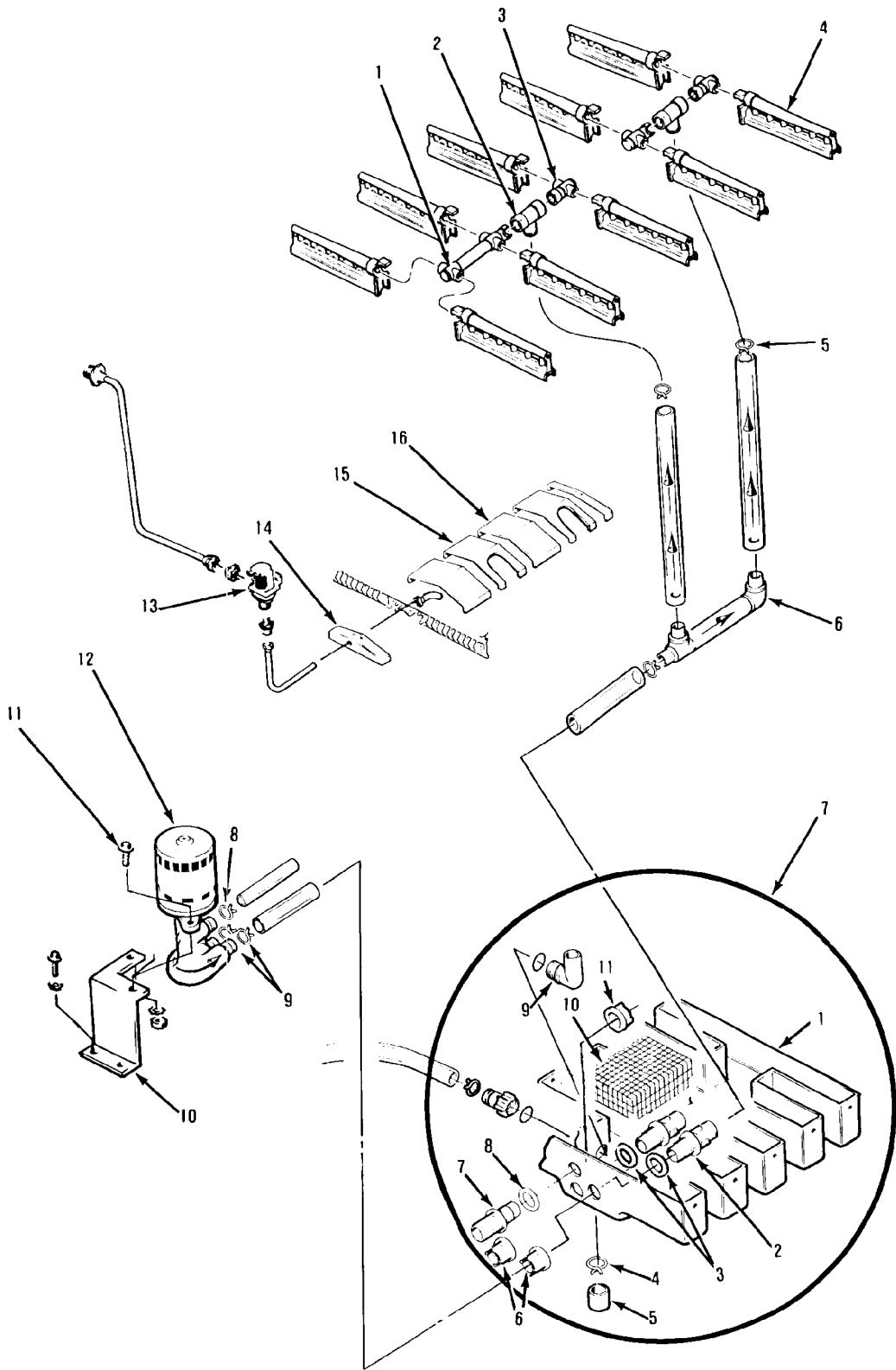
### WATER SYSTEM

ITEM NUMBER	PART NUMBER	DESCRIPTION
1	02-2521-01	Manifold Water (Long)
2	02-2519-01	Tee
3	A29703-001	Manifold Water (Short)
4	02-2527-01	Tube, Water Distributor
5	02-1358-01	Clamp
6	A29730-001	Water Tube Assembly)
7	A30761-020	Sump Assembly
8	02-1530-01	Clamp
9	02-1800-01	Clamp
10	A29746-001	Pump Bracket
11	13-0571-01	Screw 1/4-20 x 3/4
12	A30751-022	Water Pump
13	12-1646-04	Water Valve
14	02-2523-01	End Cover - Sump
15	02-2520-01	Sump Cover
16	02-2520-02	Sump Cover - Center

### SUMP ASSEMBLY

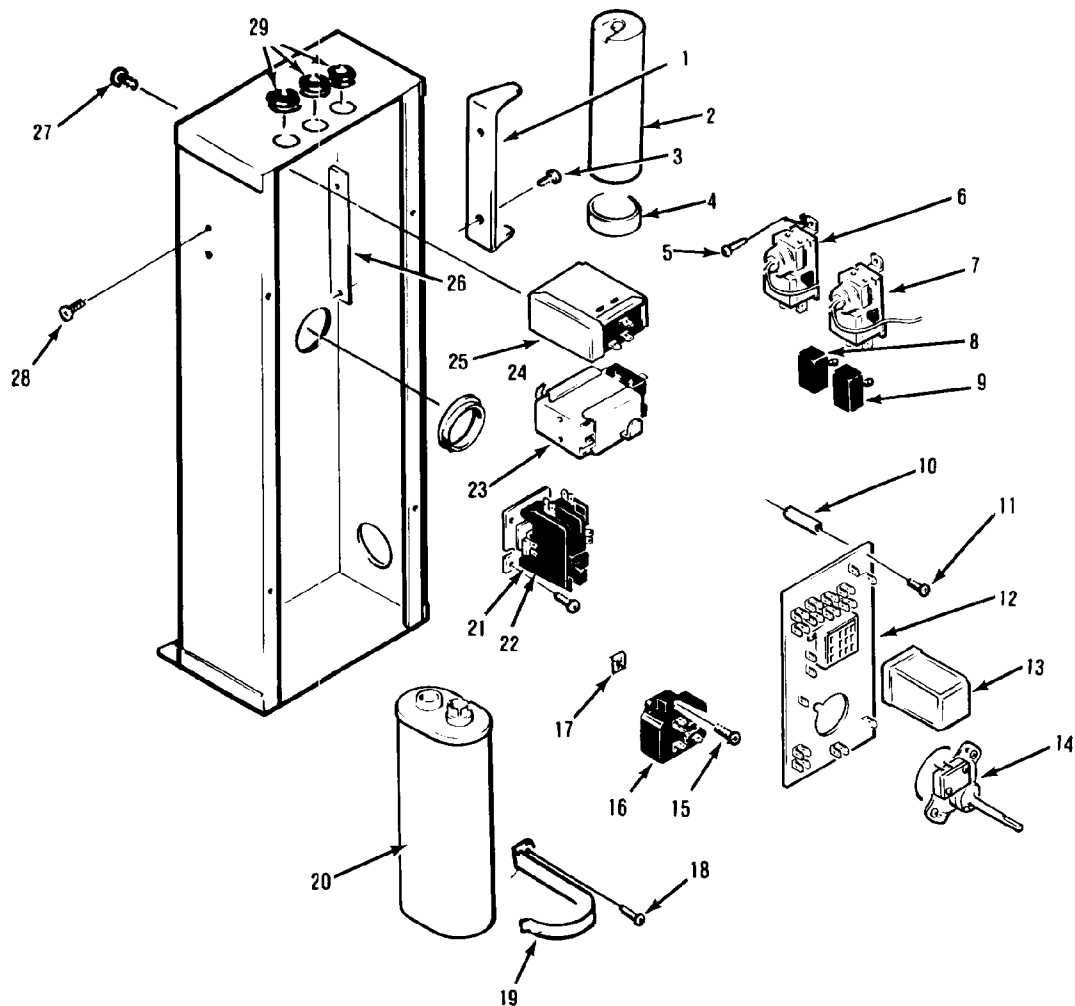
ITEM NUMBER	PART NUMBER	DESCRIPTION
1	A30761-020	Sump (Complete Assembly)
2	02-2787-01	Tube - Pick Up
3	03-1409-23	Washer - Rubber
4	02-1530-01	Clamp
5	13-0796-01	Rubber Cap
6	02-2786-01	Tube - Inlet
7	02-2788-01	Nut - Water Inlet
8	13-0617-02	"O" Ring
9	02-2125-01	Elbow
10	A30760-001	Screen
11	02-1800-01	Hose Clamp

# CM1200R THE PARTS ILLUSTRATIONS AND PARTS LISTS



# CM1200R

## THE PARTS ILLUSTRATIONS AND PARTS LISTS



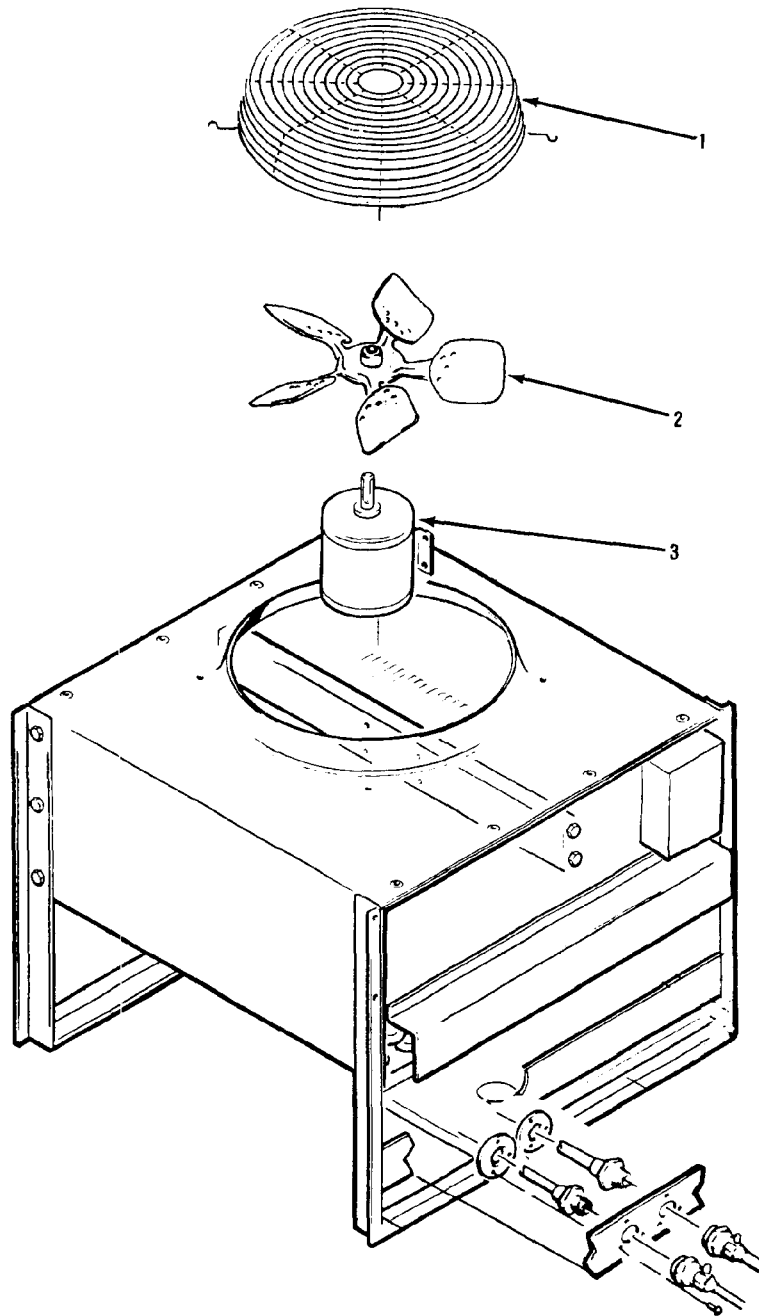
### CONTROL BOX ASSEMBLY

ITEM NUMBER	PART NUMBER	DESCRIPTION			
1	No Number	Capacitor Bracket	15	03-1463-04	Screw 6 x 3/8
2	18-1901-40	Capacitor Start	16	18-1903-01	Potential Relay
3	No Number	Screw	17	03-1423-01	Speed Nut
4	18-3850-38	Capacitor Cap	18	03-1403-21	Screw 8 x 3/8
5	03-1403-17	Screw 8 x 3/8	19	No Number	Bracket
6	11-0419-01	Bin Thermostat	20	18-1902-51	Run Capacitor
7	11-0351-02	Cube Size Control	21	03-1403-17	Screw 8 x 3/8
8	12-2255-01	Toggle Switch DPDT, Clean	22	12-0739-02	Contactor - 230/60/3
9	12-0426-01	Switch SPST, Compressor	23	11-0410-01	Hi Pressure Control
10	12-1213-12	Bushing 1-3/8	24	12-1213-12	Snap Bushing 1-3/8
11	03-1403-04	Screw 6 x 3/8	25	11-0420-01	Low Pressure Control
12	12-1912-01	Circuit Board	26	No Number	Twin Speed Nut
13	12-1879-03	Relay	27	03-1403-04	Screw 6 x 3/8
14	12-1979-32	Time Switch Assembly	28	03-1403-04	Screw 6 x 3/8
			29	03-0557-00	Grommet



# CM1200R

## THE PARTS ILLUSTRATIONS AND PARTS LISTS

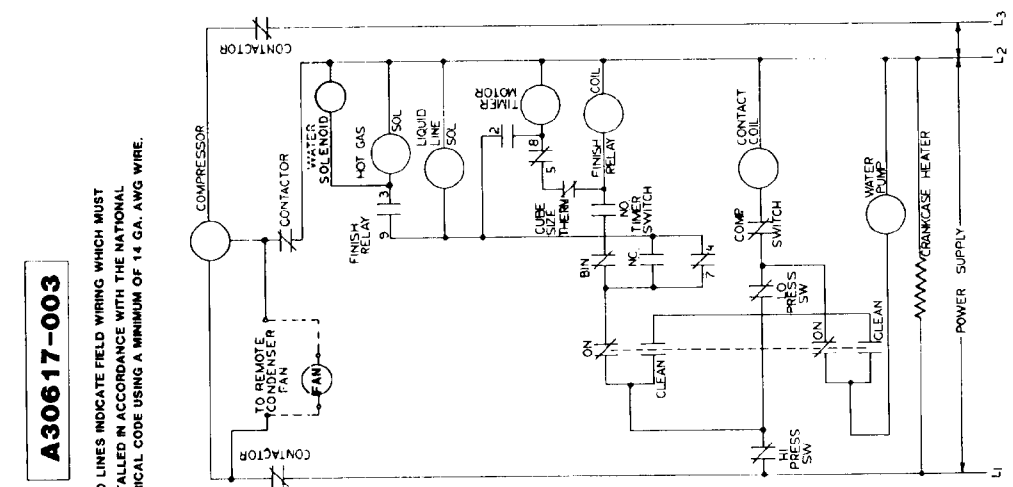


**REMOTE CONDENSER RC151-32B  
RC302-32B**

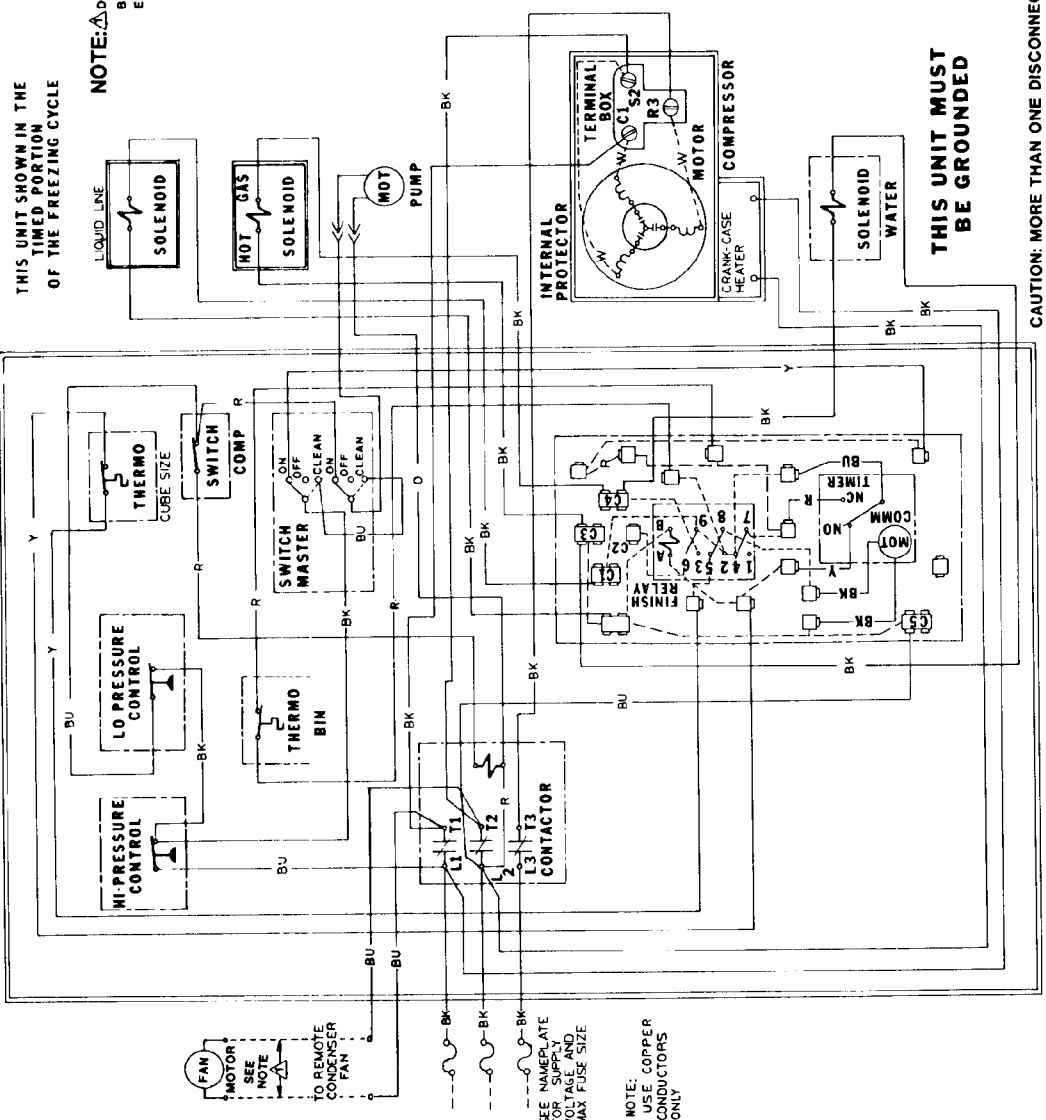
ITEM NUMBER	PART NUMBER	DESCRIPTION
1	02-2618-01	Guard, Fan
2	18-3733-01	Blade, Fan
3	18-3734-01	Motor, Fan

# CM1200R WIRING DIAGRAM 3A-208-230/60/3

**A30617-003**



**NOTE:** DASHED LINES INDICATE FIELD WIRING WHICH MUST BE INSTALLED IN ACCORDANCE WITH THE NATIONAL ELECTRICAL CODE USING A MINIMUM OF 14 GA. AWG WIRE.



THIS UNIT SHOWN IN THE TIMED PORTION OF THE FREEZING CYCLE

**NOTE:** DASHED LINES INDICATE FIELD WIRING WHICH MUST BE INSTALLED IN ACCORDANCE WITH THE NATIONAL ELECTRICAL CODE USING A MINIMUM OF 14 GA. AWG WIRE.

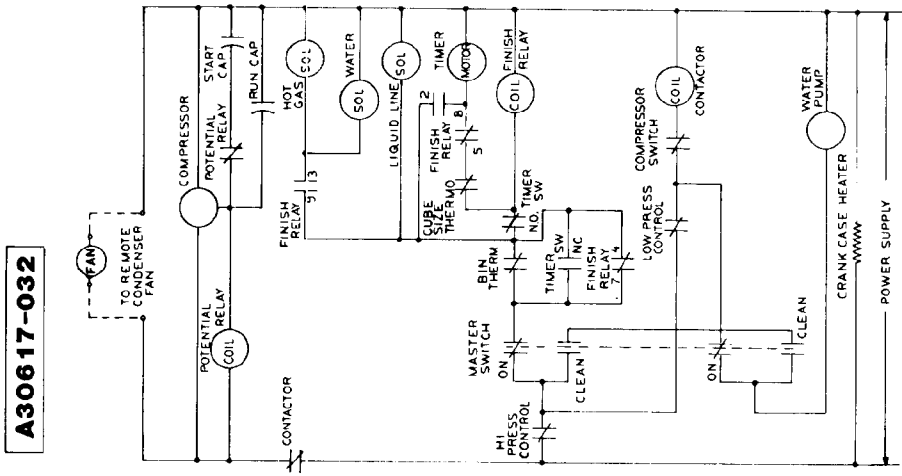
**THIS UNIT MUST  
BE GROUNDED**

**CAUTION: MORE THAN ONE DISCONNECT MEANS MAY BE  
REQUIRED TO DISCONNECT ALL POWER TO THIS UNIT**

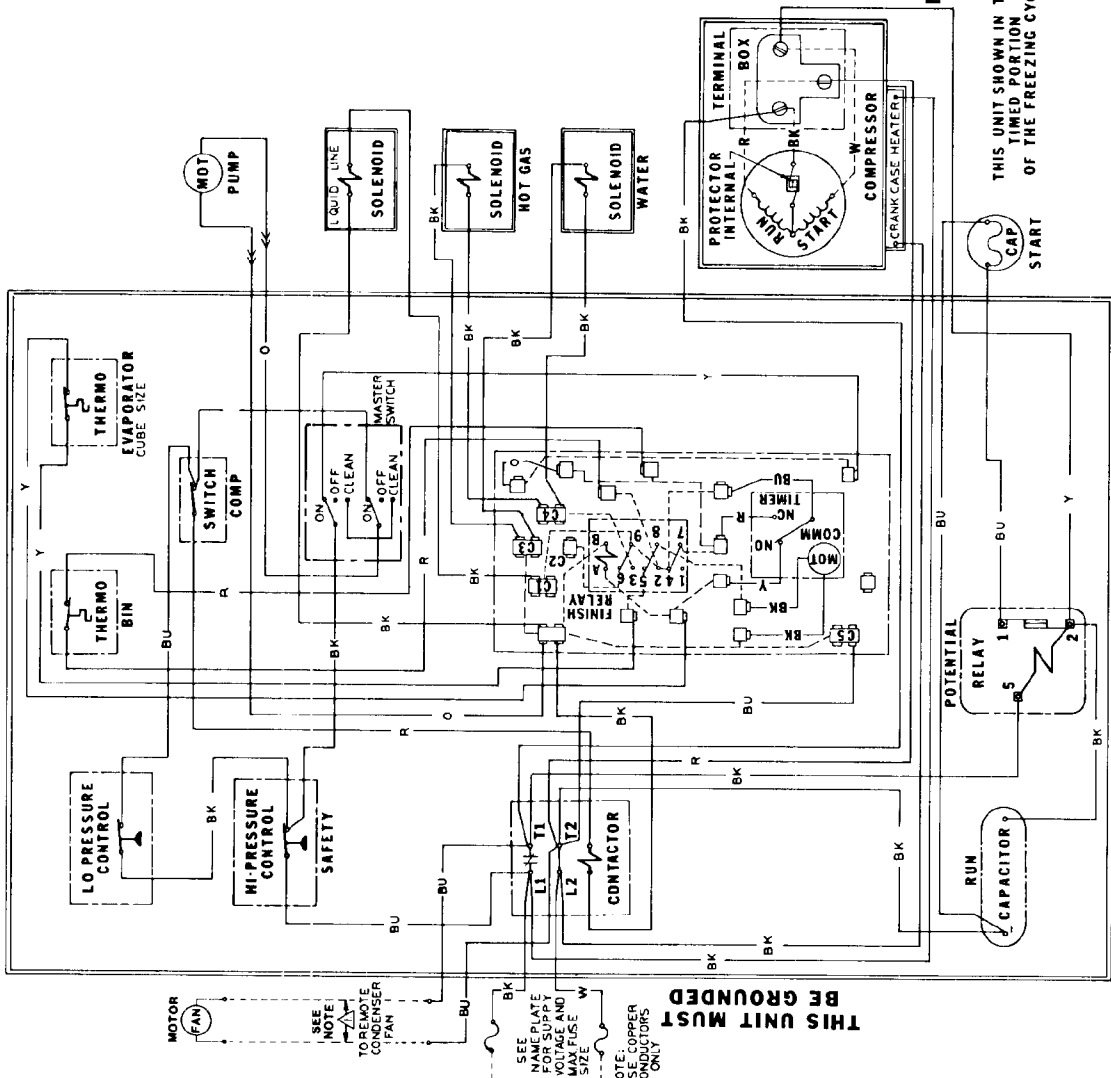
SEE NAMEPLATE FOR SUPPLY VOLTAGE AND MAX FUSE SIZE

**NOTE:** USE COPPER CONDUCTORS ONLY

# CM1200R WIRING DIAGRAM 32A-208-230/60/1



**NOTE:** DASHED LINES INDICATE FIELD WIRING WHICH MUST BE INSTALLED IN ACCORDANCE WITH THE NATIONAL ELECTRICAL CODE USING A MINIMUM OF 14 GA. AWG. WIRE.



**A30617-032**

Wiring Diagram CM1200RE-32A 208-230/60/1