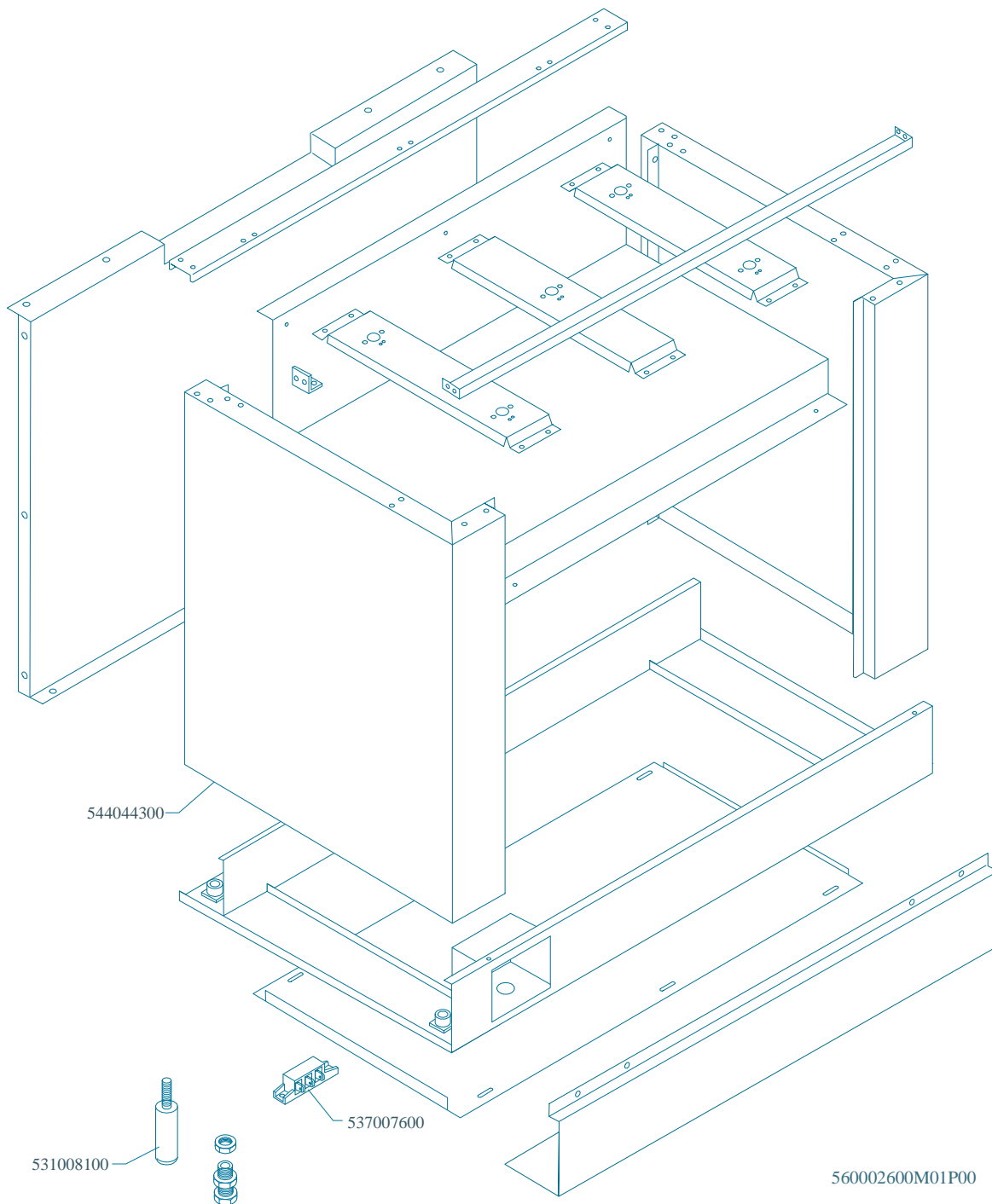


MAGIC SNACK 60

CUCINE / RANGES / HERDE / CUISINIÈRES / N° 0309

CF-10/6

CF-10G/6F CF-10G6/A CF-10GEM/6 CF-10GEM6/A CFM-10GEM/6 CFM-10GEM6/A



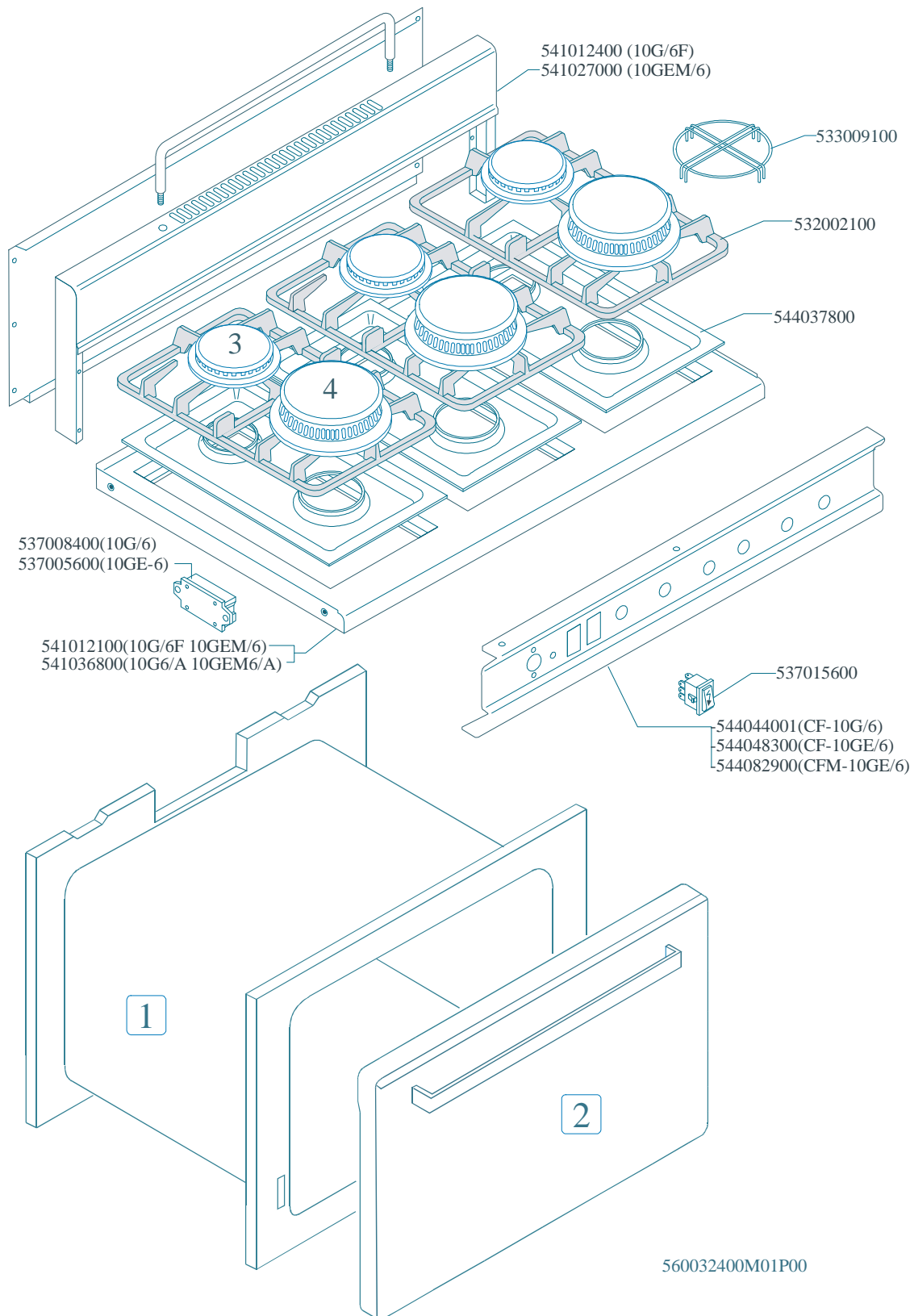
MAGIC SNACK 60

CUCINE / RANGES / HERDE / CUISINIÈRES / N° 0309

CF-10/6

CF-10G/6F CF-10G6/A CF-10GEM/6 CF-10GEM6/A CFM-10GEM/6 CFM-10GEM6/A

	1CF10-GE	1CFM-10GE	1CF-10G	2	3	4
Vedi Pagina See Page Siehe Seite Voir Page Ver Página	92	93	94	95	131	132

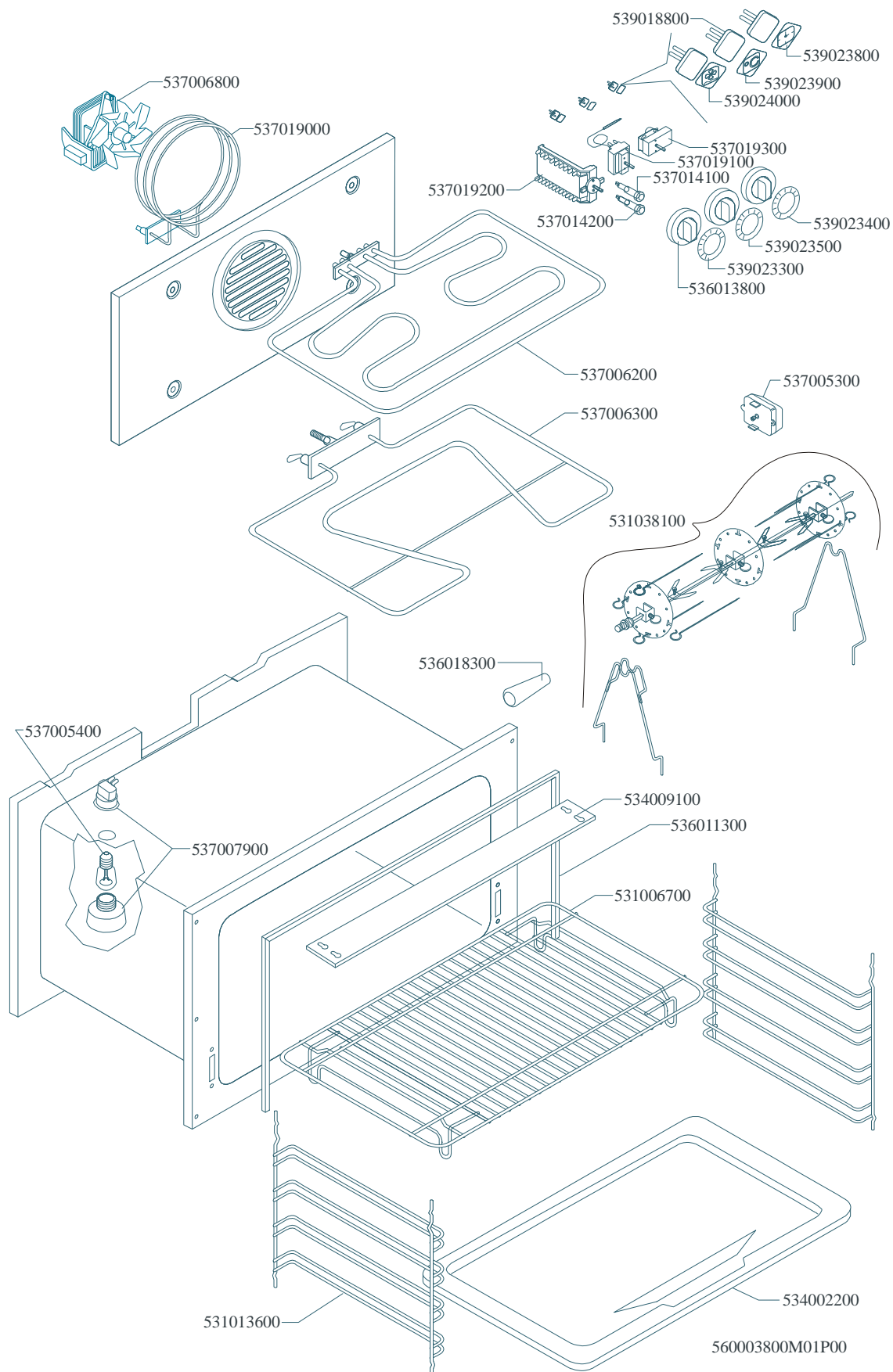


MAGIC SNACK 60

CUCINE / RANGES / HERDE / CUISINIÈRES / N° 0309

FORNO / OVEN / BACKOFEN / FOUR / CF-8 10 10/6

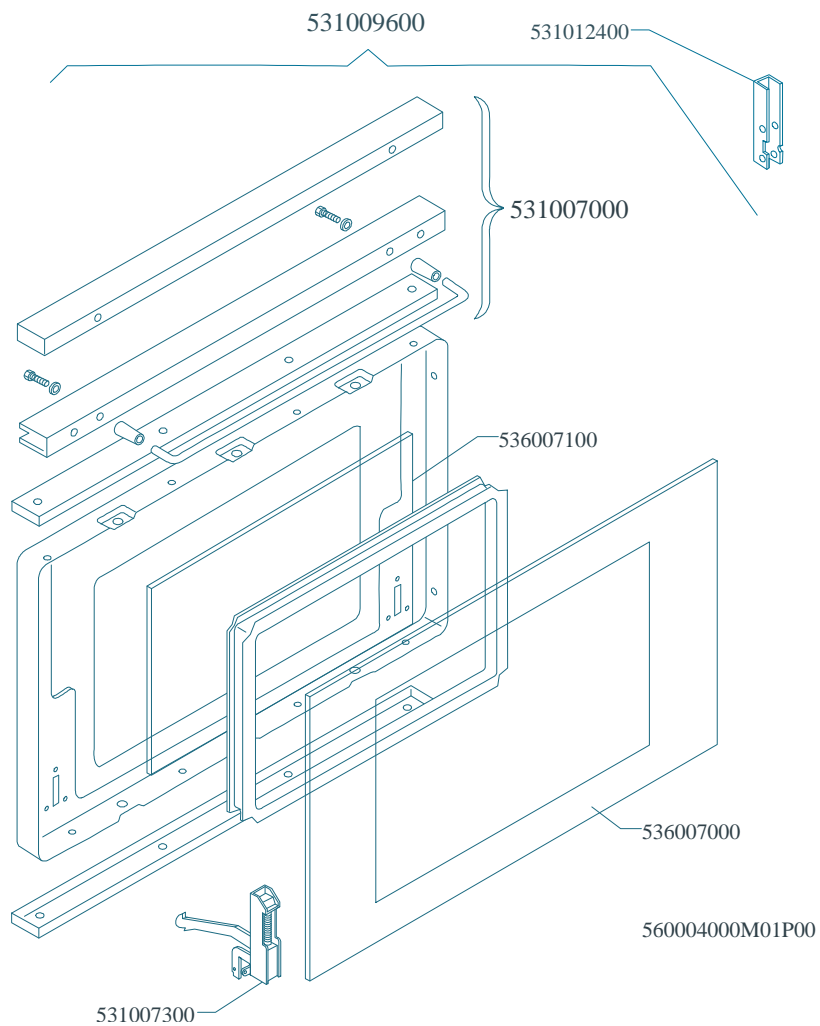
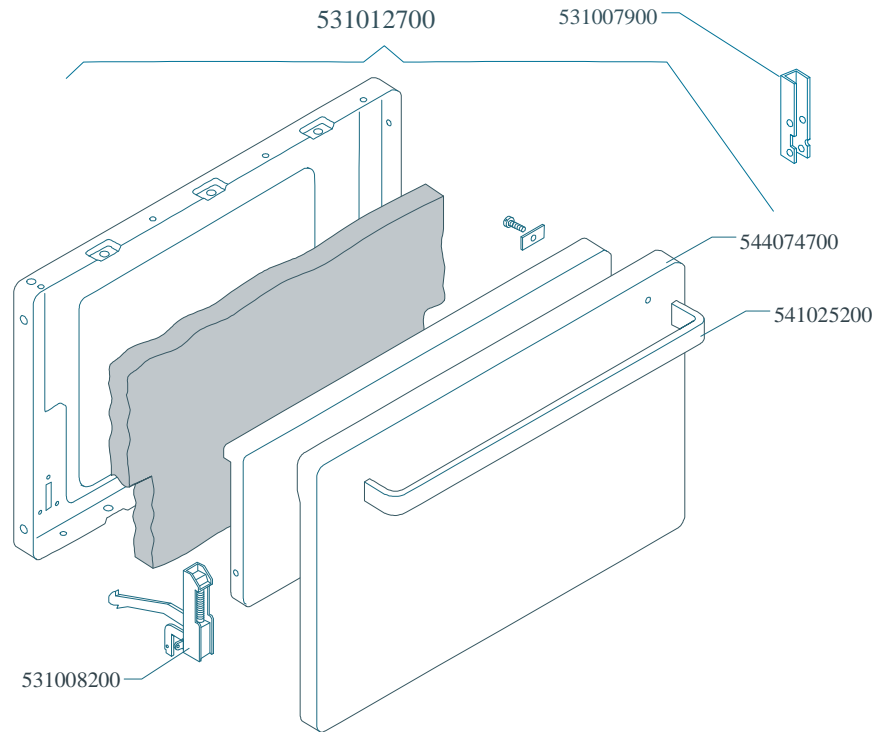
ELETTORICO MULTIFUNZIONE / MULTIFUNCTION ELECTRIC / MULTIFUNKTIONS
ELEKTRO / ELECTRIQUE A FONCTIONS MULTIPLES



MAGIC SNACK 60

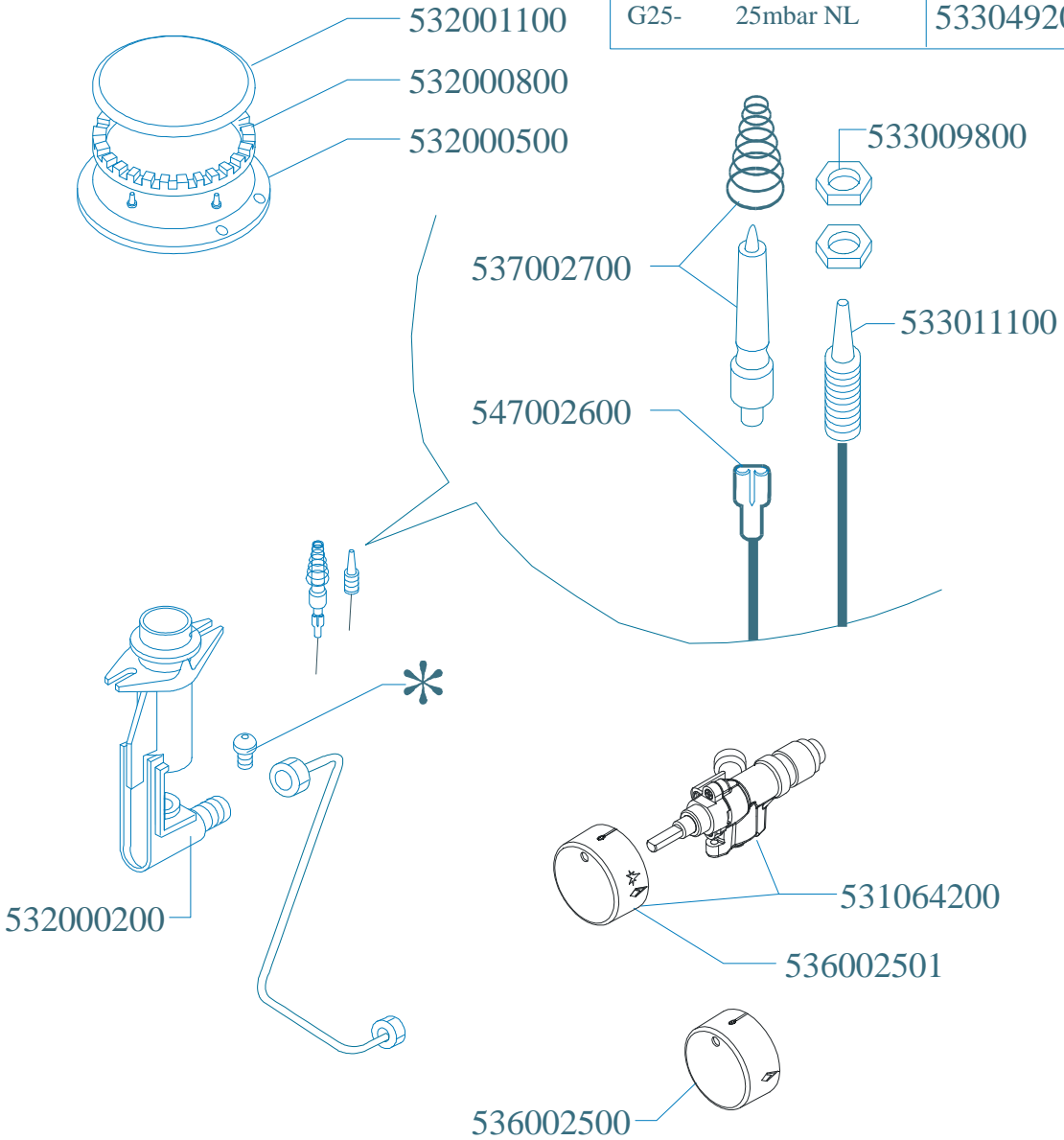
CUCINE / RANGES / HERDE / CUISINIÈRES / N° 0309
FORNO / OVEN / BACKOFEN / FOUR / CF-8 10 10/6

PORTE / DOORS / TÜREN / PORTES



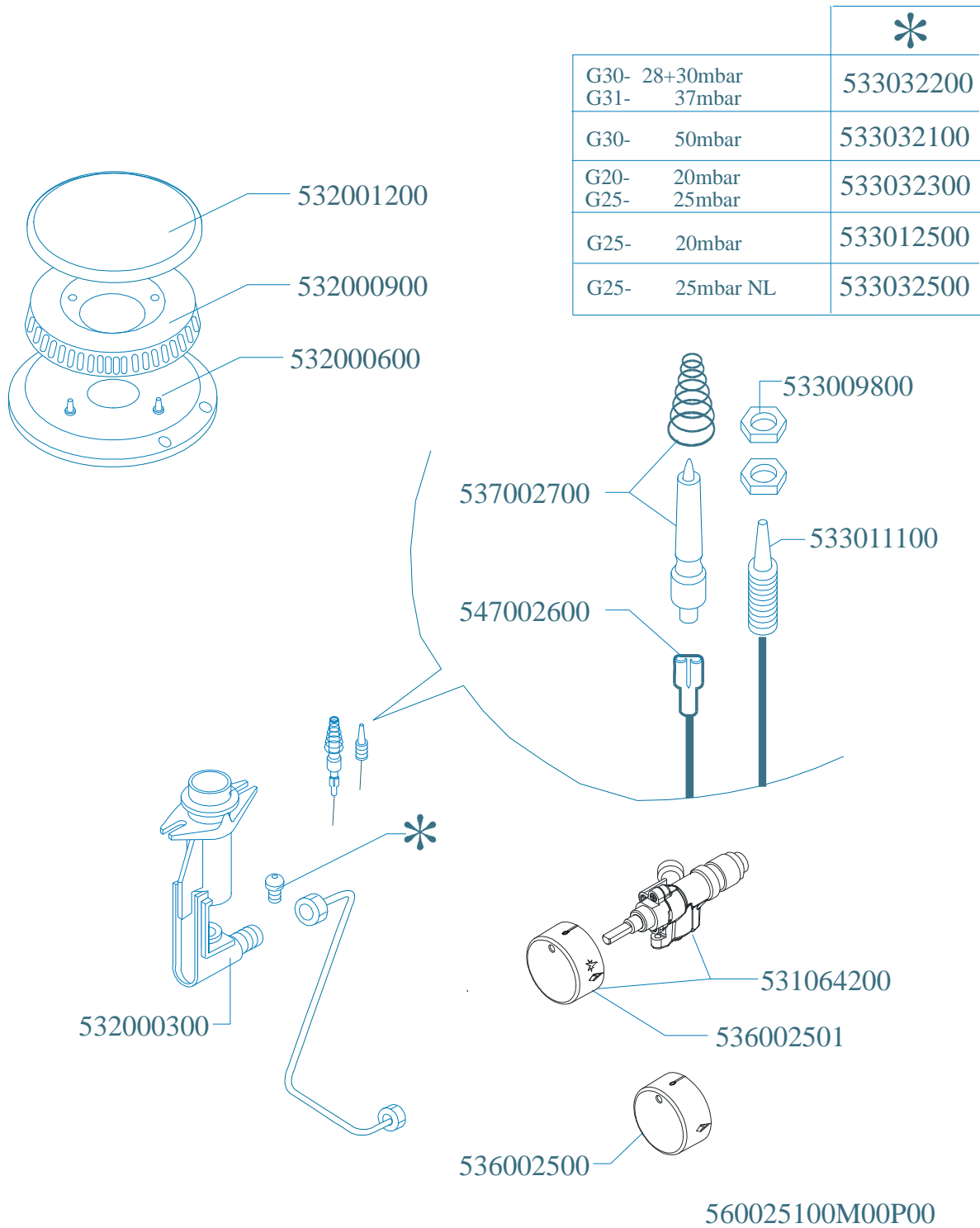
PC-G R V

	*
G30- 28+30mbar G31- 37mbar	533032100
G30- 50mbar	533049000
G20- 20mbar G25- 25mbar	533049100
G25- 20mbar	533032400
G25- 25mbar NL	533049200



560025200M00P00

PC-G UR



Page	Pos	Code	Description
001		544044300	SIDE 1000 RANGE
001		537007600	TERMINAL BLOCK SINGLEPHASE 40A
001		531008100	ADJUSTABLE LEG H9 CHROME
002		541027000	NEUTRAL SPACER 1000
002		533009100	REDUCTION S.60
002		544037800	2 BURNER DRIP PAN (QUICK+VERY QUICK
002		532002100	2 BURNERS GRID
002		537008400	IGNITION UNIT 8 FLAMES V230
002		537005600	6 FLAME IGNITION CONTROL BOX V230
002		541012100	UPPER PLATE CF-10G
002		537015600	BIPOLAR SWITCH
002		544082900	CONTROL PANEL FOR RANGE CFM-10GEM/6
003		539018800	INDEX FOR OVEN KNOB
003		539023800	SIGN PLATE FOR OVEN TIMER
003		539023900	SIGN PLATE FOR OVEN TEMPERATURE
003		539024000	SIGN PLATE FOR OVEN SELECTOR
003		537019300	TIMER FOR MULTIFUNCTION OVEN
003		537019100	THERMOSTAT FOR MULTIFUNCTION OVEN
003		537014100	WHITE WARNING LIGHT 250V
003		537014200	GREEN WARNING LIGHT 250V
003		537019200	SELECTOR FOR MULTIFUNCTION OVEN
003		537006800	FAN 240V CF-62
003		537019000	CIRCULAR HEATING ELEMENT FOR OVEN
003		539023400	ADHESIVE GRADUATED DISC F.KNOB
003		539023500	ADHESIVE GRAD.DISC *E.MULTIF.TERM.
003		539023300	ADHESIVE GRADUATED DISC FOR KNOB
003		536013800	KNOB D.70 BLACK 6*5 WITH SPRING
003		537006200	UPPER OVEN HEATING EL.1000+2000W
003		537006300	LOWER OVEN HEATING EL.W1750 230CF8/
003		537005300	MOTOR FOR SPIT CF-8/10
003		531038100	SPIT FOR MAXI MULTIF. NEW OVEN
003		536018300	GRIP FOR ROTATING SPIT
003		537005400	OVEN BULB 15W 300°C
003		534009100	GRILL PROTECTION CF-8/10
003		536011300	OVEN GASKET CF-8/10
003		537007900	OVEN BULB-SOCKET
003		531006700	OVEN GRID FOR CF-8/10
003		534002200	OVEN DRIPPING-PAN CF-8/10
003		531013600	SIDE GRID FOR MAXI/VENTILATED OVEN
004		531012700	STAINLESS STEEL OVEN DOOR CF-8/10
004		531007900	STAINLESS STEEL DOOR WHEEL HOLDER
004		544074700	STAINLESS STEEL OVEN DOOR PANEL
004		541025200	STAINLESS STEEL OVEN DOOR HANDLE
004		531008200	STAINLESS STEEL DOOR HINGE CF-8/10
004		531009600	COMPLETE GLASS OVEN DOOR
004		531012400	GLASS DOOR WHEEL HOLDER CF-8/10
004		531007000	OVEN GLASS DOOR HANDLE CF-8/10
004		536007100	INTERNAL GLASS OVEN DOOR CF-8/10
004		536007000	EXTERNAL GLASS OVEN DOOR CF8/10
004		531007300	GLASS DOOR HINGE CF-8/10
005		533032100	NOZZLE §82 CH9*10 CE G-R

Page	Pos	Code	Description
005		533049000	NOZZLE §72 CH9*10 F-R
005		533049100	NOZZLE §125 CH9*10 H-R
005		533032400	NOZZLE §135 CH9*10 L-R
005		533049200	NOZZLE §130 CH9*10 AARD.L-R
005		532001100	QUICK BURNER COVER IN CAST IRON
005		532000800	QUICK BURNER RING
005		532000500	QUICK BURNER SUPPORT 2HOLES
005		537002700	PLUG WITH SPRING H57
005		547002600	HIGH-VOLTAGE CABLE L=500
005		533009800	BRASS NUT M8*1
005		533011100	THERMOCOUPLE 600 M8*1
005		531064200	GAS COCK 22-3403 WITH KNOB
005		532000200	QUICK BURNER VENTURI
005		536002501	COCK KNOB SNACK PC
005		536002500	COCK KNOB
006		533032200	NOZZLE §96 CH9*10 CE G-UR
006		533032100	NOZZLE §82 CH9*10 CE G-R
006		533032300	NOZZLE §142 G20
006		533012500	NOZZLE §160 CH9*10 L-UR
006		533032500	NOZZLE §150 CH9*10 AARD.L-UR
006		532001200	ULTRA-QUICK BURNER COVER IN CAST IR
006		532000900	ULTRA-QUICK BURNER RING
006		532000600	ULTRA-QUICK BURNER SUPPORT 2HOLES
006		533009800	BRASS NUT M8*1
006		537002700	PLUG WITH SPRING H57
006		533011100	THERMOCOUPLE 600 M8*1
006		547002600	HIGH-VOLTAGE CABLE L=500
006		531064200	GAS COCK 22-3403 WITH KNOB
006		532000300	ULTRA-QUICK BURNER VENTURI
006		536002501	COCK KNOB SNACK PC
006		536002500	COCK KNOB