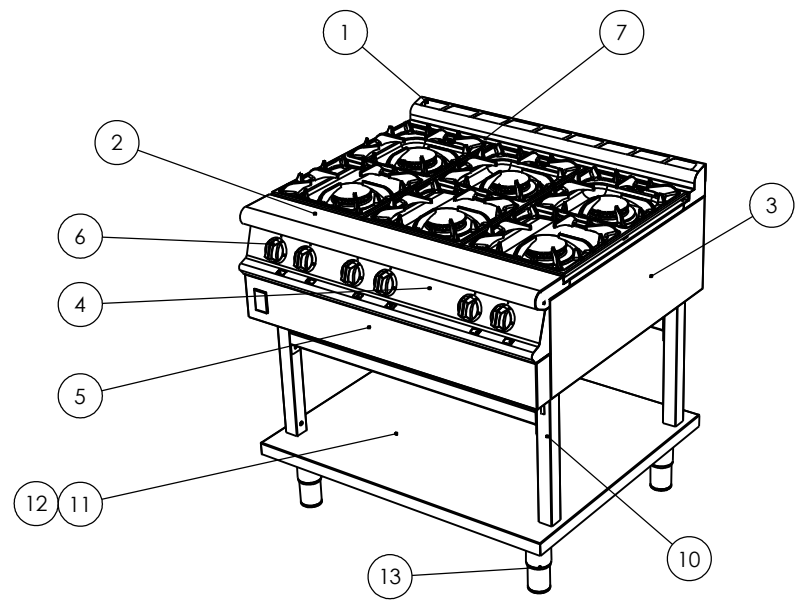
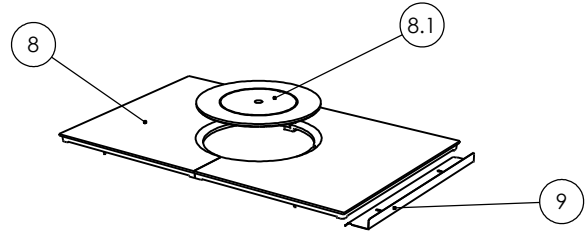


1 2 3 4 5 6 7 8

A  
B  
C  
D  
E  
F



ITEM	DESCRIPTION	G3121	G3127	G3124
		SPARES No	SPARES No	SPARES No
1	REAR HOB RAIL	535290017	535290017	535330004
2	FRONT HOB RAIL	535290018	535290018	535330005
3	OUTER SIDE PANEL	535400190	535400190	535400190
4	CONTROL PANEL	535340000	535350000	535360001
5	CONTROL PANEL LOWER FACIA	535340001	535340001	535360002
6	HOB CONTROL KNOB	535290025	535310010	535290025
7	PAN SUPPORT	535290027	N/A	535290027
8	SOLID TOP CASTING COMPLETE	N/A	535400170	N/A
8.1	SOLID TOP CENTRE & RING SET	N/A	535400160	N/A
9	HOB SIDE DRIP SHED	N/A	535410018	N/A
10	LEG STAND LEG ASSEMBLY	535400202	535400202	535460002
11	BOTTOM SHELF	535400203	535400203	535460003
12	BOTTOM FRAME (NOT SHOWN)	535400204	535400204	535460004
13	ADJUSTABLE FOOT	535290028	535290028	535290028
14	REAR FIXED CASTOR (NOT SHOWN)	534103055	534103055	534103055
15	FRONT SWIVEL CASTOR (NOT SHOWN)	530964350	530964350	530964350

**CLEARED FOR PRODUCTION**

ISSUE	MOD No	ALTERATION	DRAWN BY	DATE
A	6422	PRODUCTION ISSUE	IAIN JAMES	09/08/11

IF IN DOUBT ASK  
DO NOT SCALE  
FIRST ANGLE PROJECTION

UNLESS OTHERWISE SPECIFIED:  
DIMENSIONS ARE IN MILLIMETERS  
TOLERANCES:  
LINEAR: ±0.5mm  
ANGULAR: ±0.5 DEG

DEBUR AND  
BREAK SHARP EDGES

WEIGHT: g

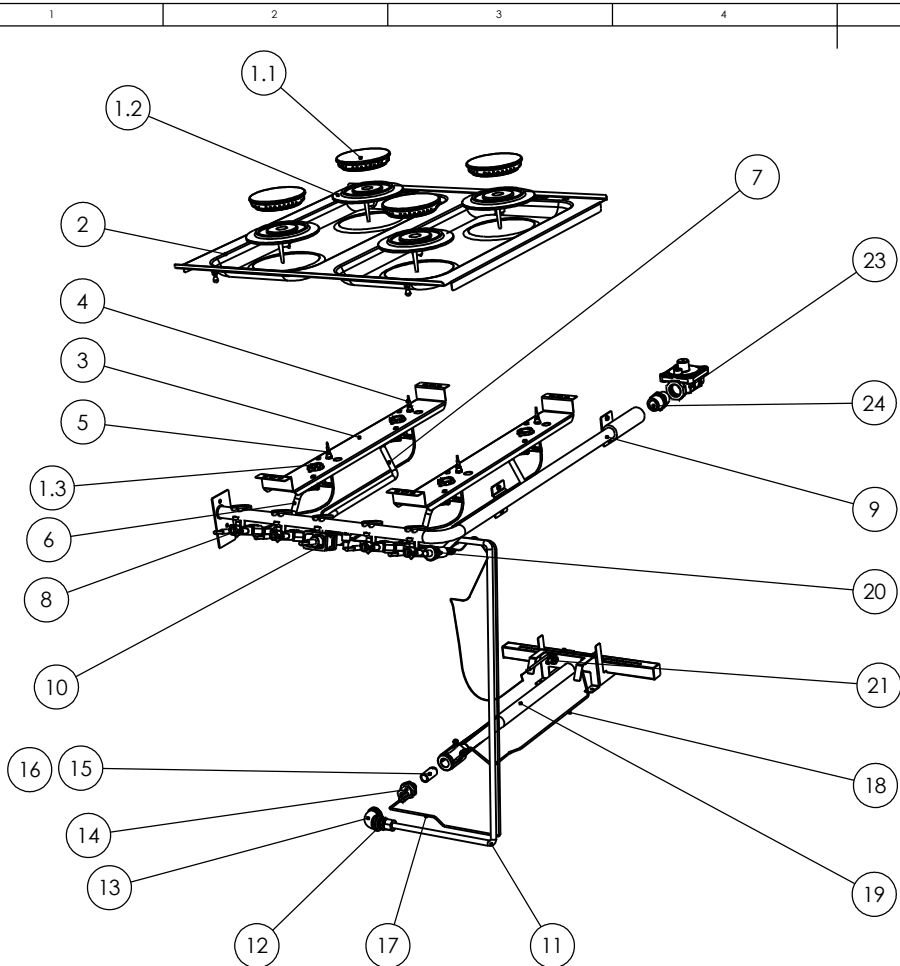


DRAWN: <b>IAIN JAMES</b>	PRODUCT
DATE: <b>31/05/11</b>	TITLE
SCALE: <b>1:10</b>	
MATL: -	DRAWING NUMBER
THICKNESS:	FINISH:
BIN No:	PART No:

<b>G3121/27/24</b>	
<b>SPARES - FITMENTS</b>	
<b>AA48643</b>	A

© NO REPRODUCTION OR PUBLICATION OF THIS DRAWING MAY BE MADE AND NO ARTICLE MAY BE MANUFACTURED OR ASSEMBLED IN ACCORDANCE WITH THIS DRAWING WITHOUT PRIOR WRITTEN CONSENT. THIS PROHIBITION IS A TERM OF ANY CONTRACT RELATING TO THIS DRAWING. RIGHTS RESERVED UNDER THE COPYRIGHT ACT 1956 AS AMENDED BY THE DESIGN COPYRIGHT ACT 1968

**Falcon Foodservice Equipment Wallace View Hillfoots Road Stirling Scotland**



		G3161	G3124
ITEM	DESCRIPTION	SPARES No	SPARES No
1	O/T BURNER ASSEMBLY COMPLETE	535290006	535290006
1.1	O/T BURNER CAP ASSEMBLY	535290000	535290000
1.2	O/T BURNER BASE	535290001	535290001
1.3	O/T INJECTOR HOLDER NAT GAS & PROPANE	535290003	535290003
1.3.1	O/T 1.93 NAT GAS INJECTOR	535290004	535290004
1.3.2	O/T 1.2 PROPANE INJECTOR	535290005	535290005
1.3.3	8mm OLIVE	535480027	535480027
1.3.4	TUBE NUT	535480028	535480028
2	HOB PANEL	535430010	535430010
3	O/T BURNER SUPPORT BAR	535290002	535290002
4	O/T REAR THERMOCOUPLE	535480012	535480012
5	O/T FRONT THERMOCOUPLE	535480011	535480011
6	O/T FRONT FLEXI PIPE C/W OLIVES	535400045	535400045
7	O/T REAR FLEXI PIPE C/W OLIVES	535400055	535400055
8	O/T CONTROL VALVE NAT GAS & PROPANE	535200021	535200021
8.1	8MM OLIVE	535480027	535480027
8.2	TUBE NUT	535290007	535290007
8.3	NAT GAS BYPASS SCREW (76)	535290008	535290008
8.4	PROPANE BYPASS SCREW (51)	535290009	535290009
9	FLOAT RAIL	535330000	535360000
10	OVEN THERMOSTAT NAT GAS & PROPANE	535241007	N/A
10.1	10MM OLIVE	535290012	N/A
10.2	TUBE NUT	535290013	N/A
10.3	NAT GAS BYPASS SCREW (60)	535330002	N/A
10.4	PROPANE BYPASS SCREW (44)	535330003	N/A
11	OVEN FLEXI PIPE C/W OLIVES	535480082	N/A
12	OVEN PIPE COUPLING	535480042	N/A
13	ELBOW	535480041	N/A
14	INJECTOR HOLDER	535480035	N/A
15	OVEN BURNER INJECTOR NAT GAS	535480038	N/A
16	OVEN BURNER INJECTOR PROPANE	535480039	N/A
17	OVEN THERMOCOUPLE EXTENSION	535400120	N/A
18	OVEN THERMOCOUPLE	535400180	N/A
19	OVEN BURNER	535330004	N/A
20	OVEN PIZO IGNITER	535010000	N/A
21	OVEN IGNITON ELECTRODE	535480033	N/A
22	OVEN IGNITION LEAD (NOT SHOWN)	535290016	N/A
23	GOVERNOR	535480015	535480015
24	3/4" FITTING	535480016	535480016
	CONVERSION KIT NAT GAS TO PROPANE	535330012	535360003
	CONVERSION KIT PROPANT TO NAT GAS	535330013	535360004

**CLEARED FOR PRODUCTION**

ISSUE	MOD No	ALTERATION	DRAWN BY	DATE
A	6422	PRODUCTION ISSUE	IAIN JAMES	09/08/11

IF IN DOUBT ASK  
DO NOT SCALE  
FIRST ANGLE PROJECTION

UNLESS OTHERWISE SPECIFIED:  
DIMENSIONS ARE IN MILLIMETERS  
TOLERANCES:  
LINEAR: ±0.5mm  
ANGULAR: ±0.5 DEG

DEBUR AND  
BREAK SHARP EDGES

WEIGHT: g



DRAWN: <b>IAIN JAMES</b>	PRODUCT	<b>G3161/24</b>	
DATE: <b>31/05/11</b>	TITLE	<b>SPARES - CONTROLS</b>	
SCALE: <b>1:7.5</b>		DRAWING NUMBER	ISSUE
MATL: <b>N/A</b>		<b>AA48641</b>	<b>A</b>
THICKNESS:	FINISH:		
BIN No:	PART No:		