

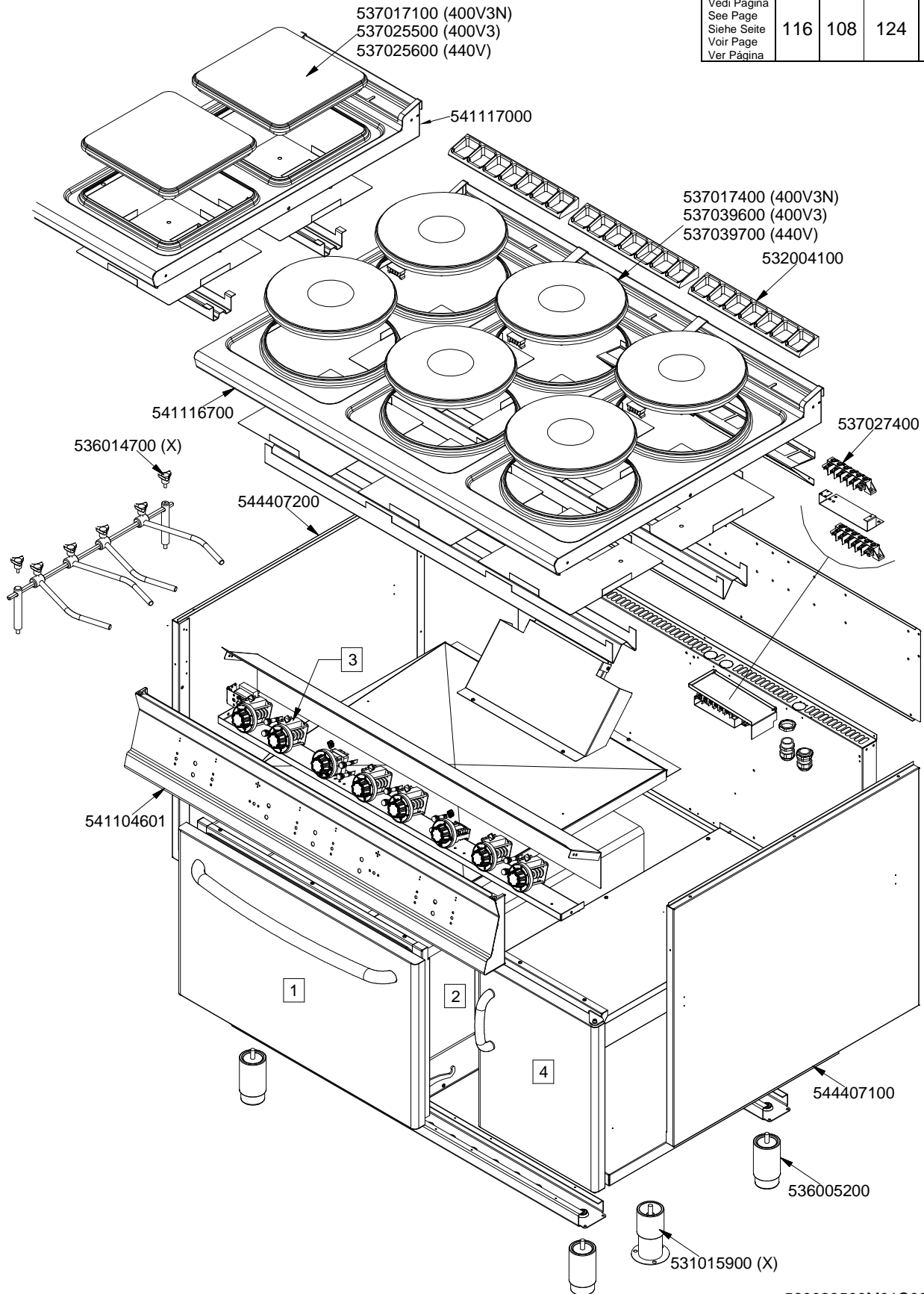
IPERLOTUS 90

CUCINE / RANGES / HERDE / CUISINIÈRES

CF...6-912

CF6-912ETV CFQ6-912ETV CF6-912ETVX CFQ6-912ETVX

| | 1 | 2 | 3 | 4 |
|---|-----|-----|-----|-----|
| Vedi Pagina See Page Siehe Seite Voir Page Ver Pagina | 116 | 108 | 124 | 130 |



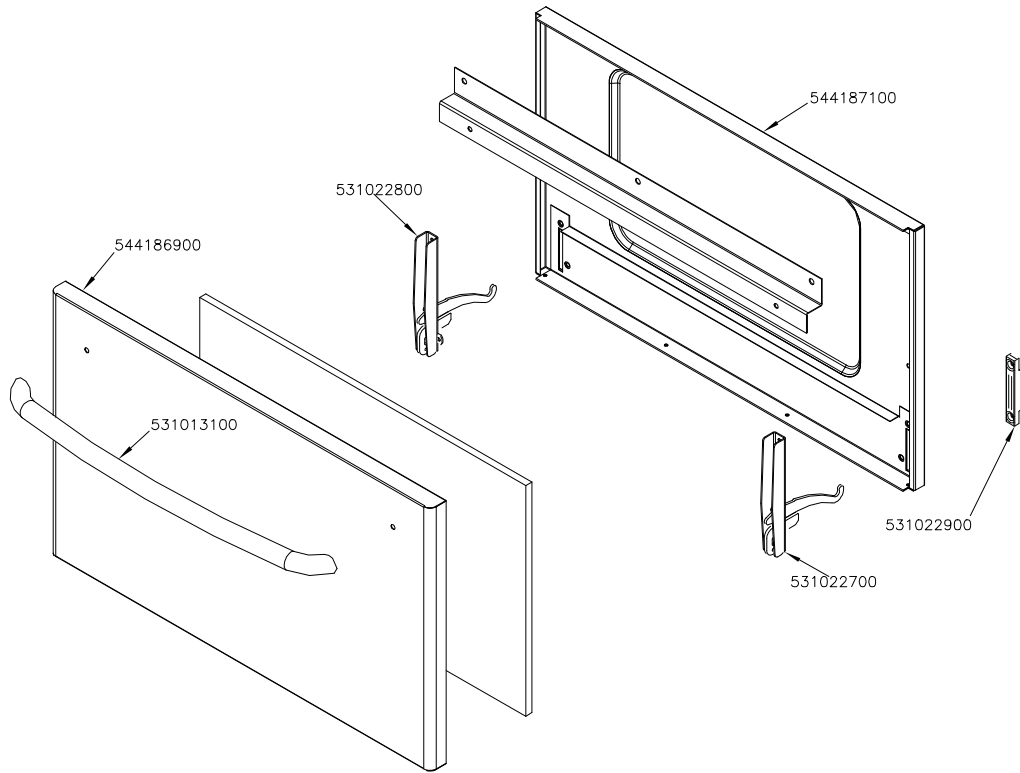
560023500M01C00

IPERLOTUS 90

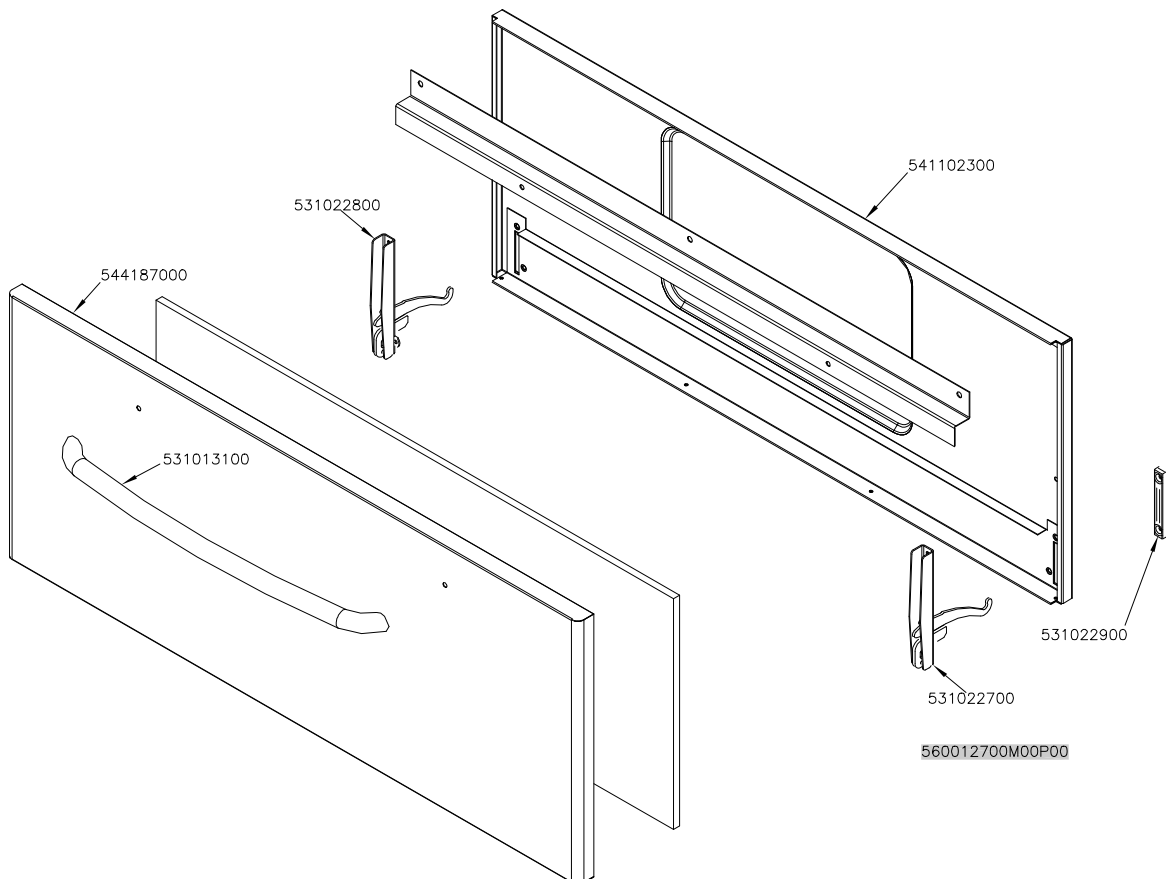
CUCINE / RANGES / HERDE / CUISINIÈRES
FORNO / OVEN / BACKOFEN / FOUR

PORTE / DOORS / TÜREN / PORTES

GN 2/1



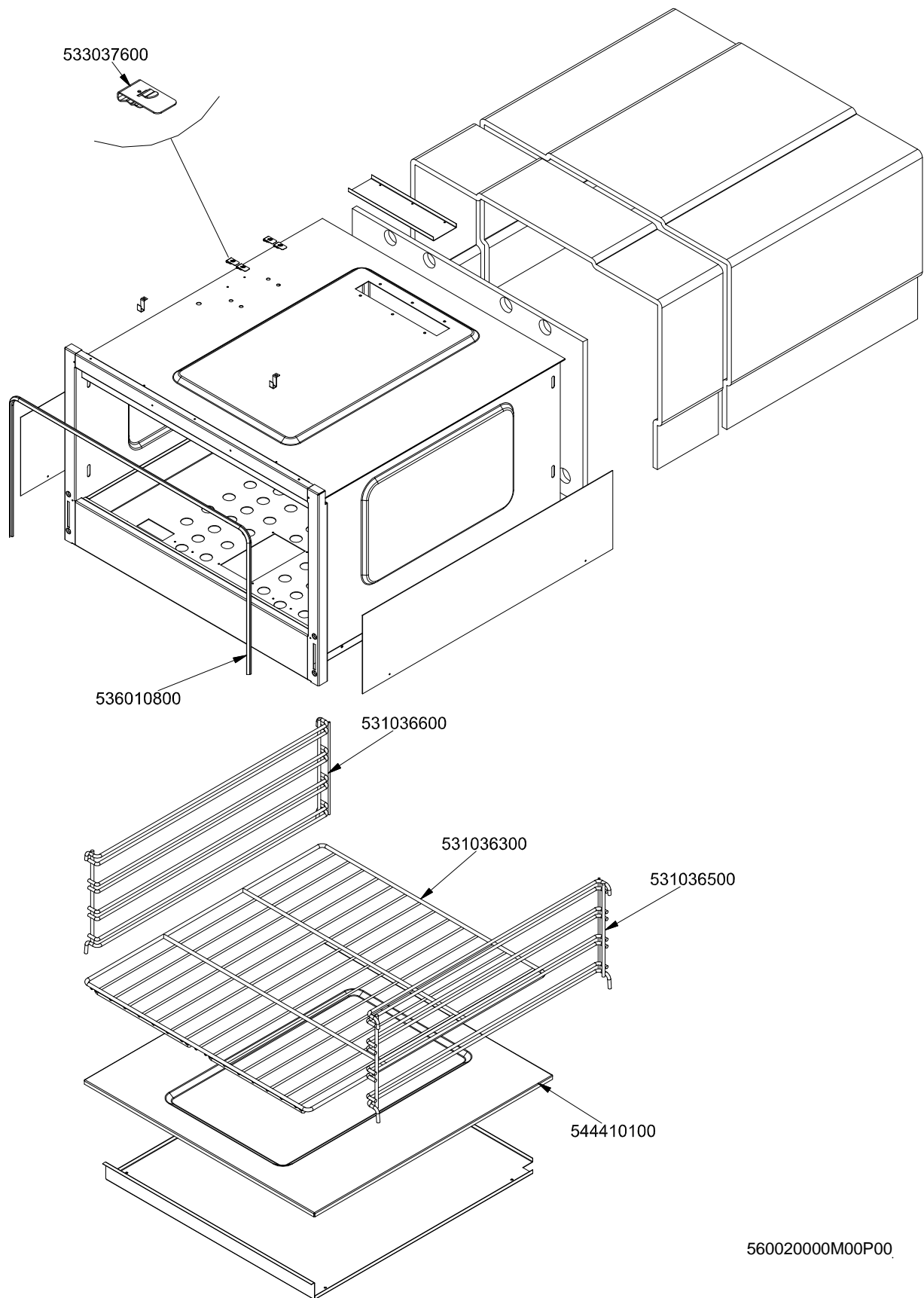
GN 3/1



IPERLOTUS 90

CUCINE / RANGES / HERDE / CUISINIÈRES
FORNO / OVEN / BACKOFEN / FOUR

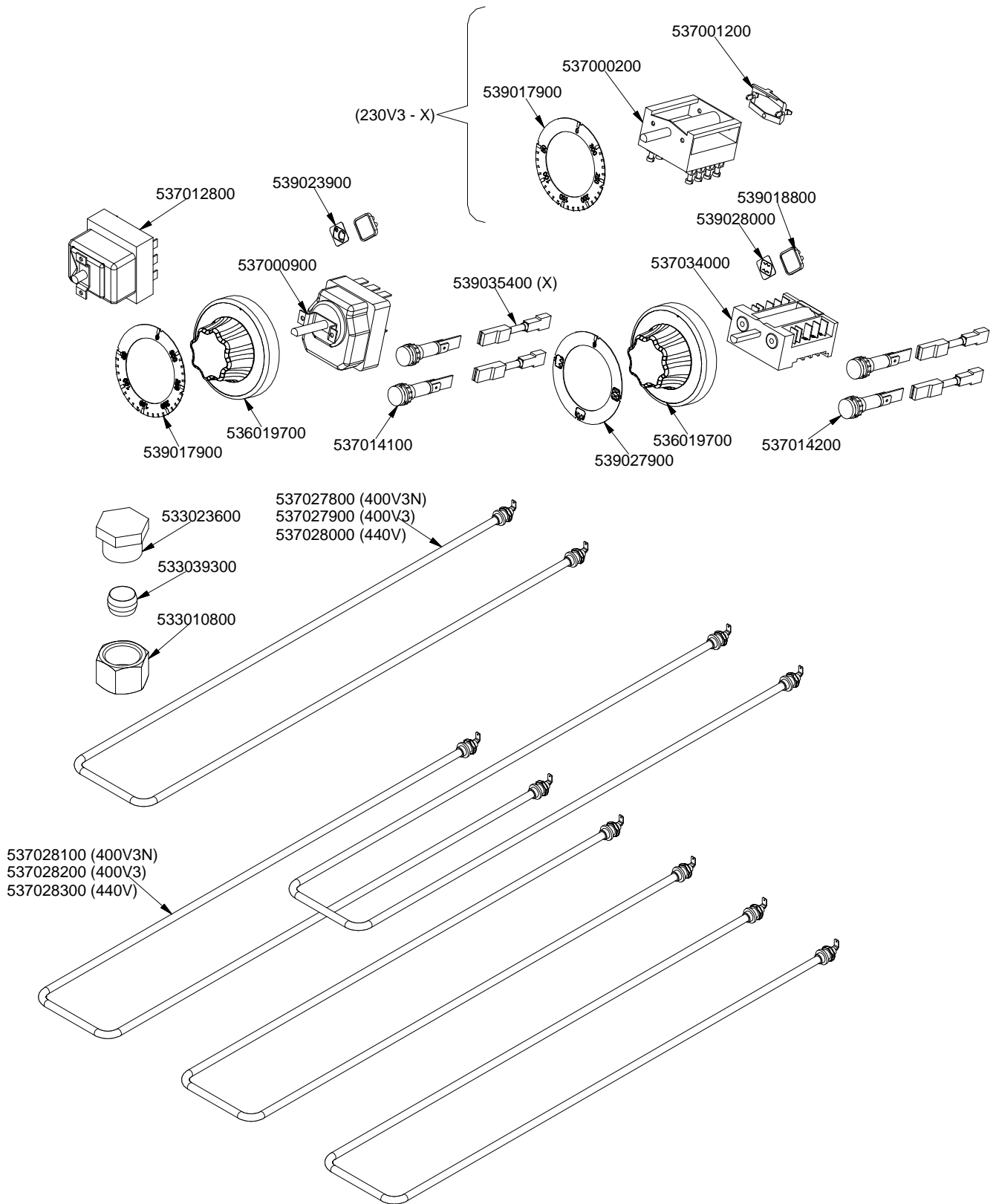
ELETRICO / ELECTRICAL / ELEKTRO / ELECTRIQUE / GN 2/1 / X



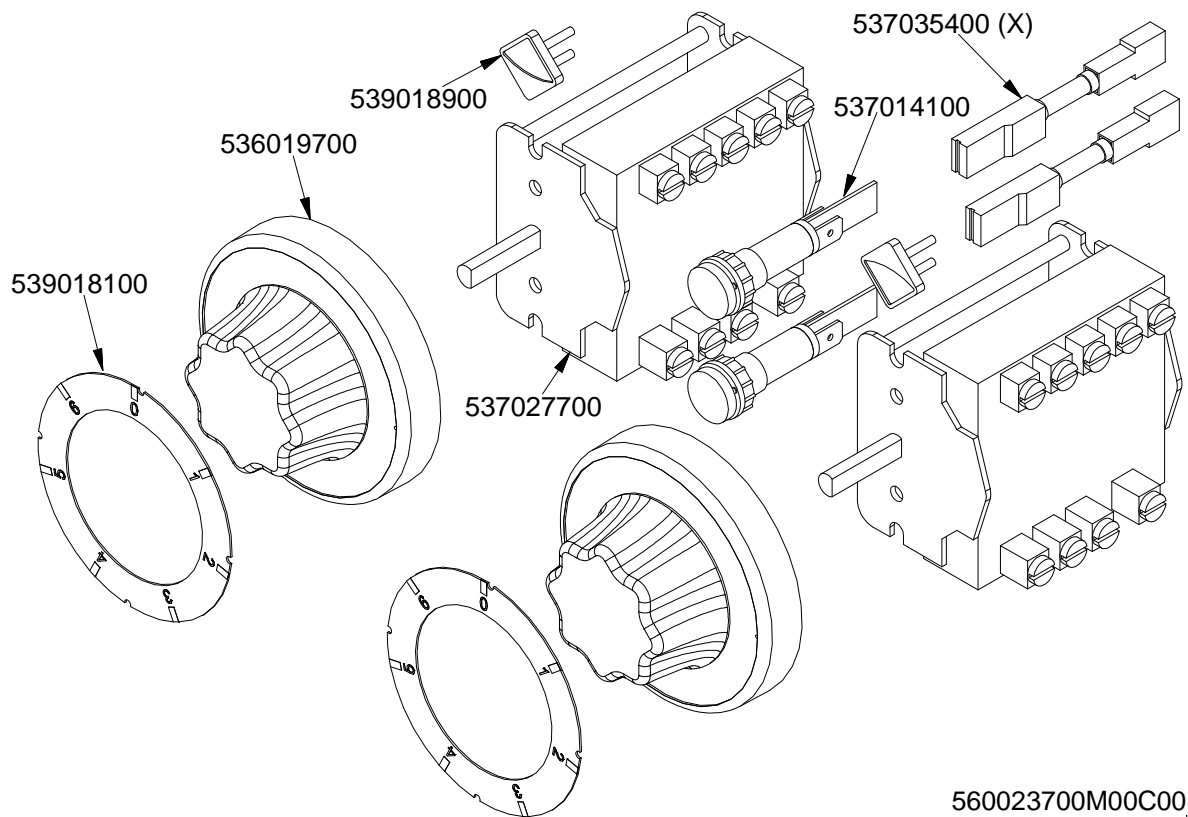
IPERLOTUS 90

CUCINE / RANGES / HERDE / CUISINIÈRES
FORNO / OVEN / BACKOFEN / FOUR

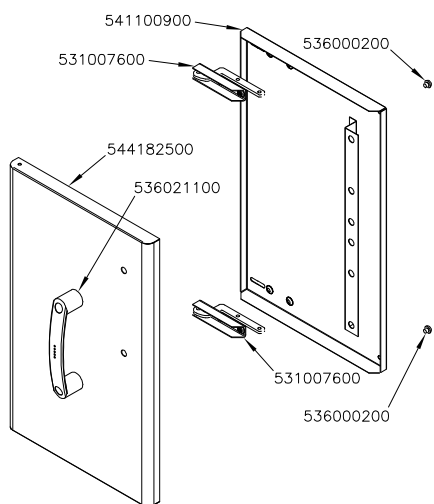
ELETTICO / ELECTRICAL / ELEKTRO / ELECTRIQUE / GN 2/1 / X



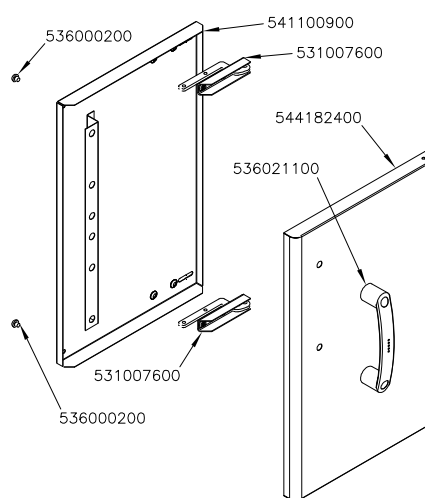
PC-E PC-EX



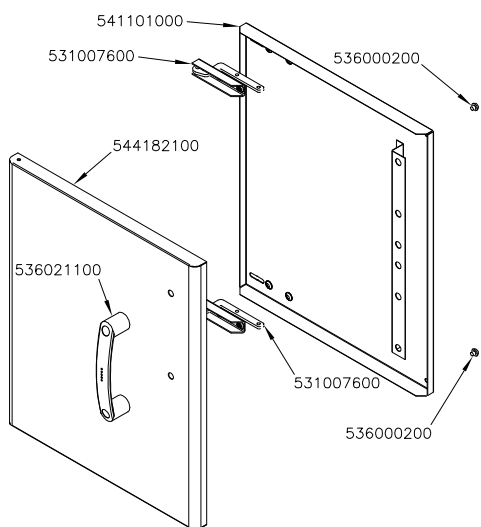
PORTE / DOORS / FLÜGELÜREN / PORTES N°≤0601



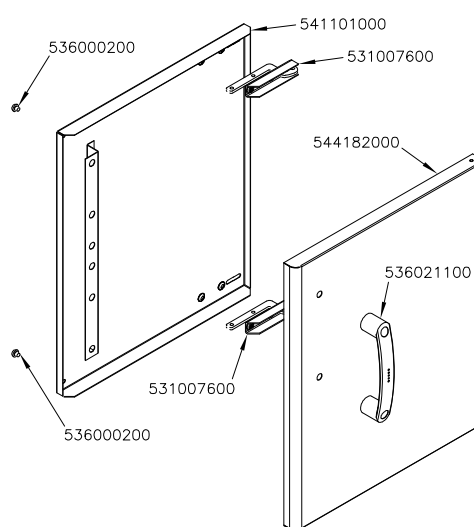
P-73/93 SX



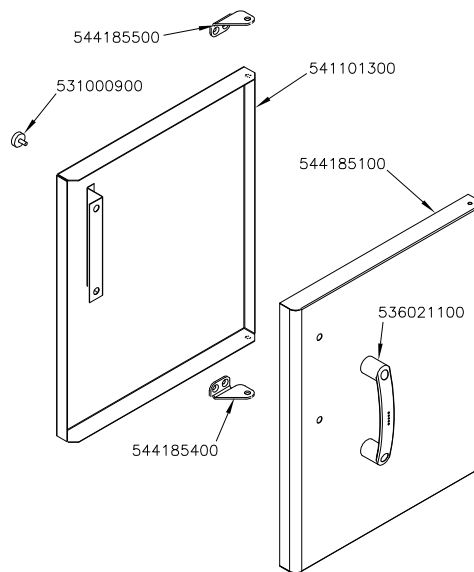
P-73/93 DX



P-74/94 SX



P-74/94 DX



P-74/94 DX CF

560012800M00P00

| Page | Pos | Code | Description |
|------|-----|-----------|-------------------------------------|
| 001 | | 544407100 | RIGHT SIDE PANEL RANGE 90 LINE |
| 001 | | 536005200 | INOX LEG 2" 120-180 M10 |
| 001 | | 541104601 | CONTROL PANEL CF6-712E CF6-712EV |
| 001 | | 544407200 | RIGHT SIDE PANEL RANGE 70 LINE |
| 001 | | 532004100 | FLUE GRID L=370 70LINE (RAF) |
| 001 | | 541116700 | UPPER PLATE PC-912ET CF6-912ET/ETV |
| 001 | | 537027400 | TERMINAL BLOCK THREEPHASE 40A |
| 001 | | 541117000 | UPPER PLATE PCQ-912E CFQ6-912ET/ETV |
| 001 | | 536014700 | 3 DRILL WHEELS |
| 001 | | 537017400 | ELECTRICAL PLATE D.300 W3500 V230 |
| 001 | | 537039600 | |
| 001 | | 537039700 | |
| 001 | | 537017100 | PLATE 300X300 W4000 V230 |
| 001 | | 537025500 | PLATE 300X300 W4000 V230 |
| 001 | | 537025600 | PLATE 300X300 W4000 V230 |
| 001 | | 531015900 | ADJUSTABLE LEG 2" |
| 002 | | 544187100 | OVEN INNER DOOR GN 2/1 S.70 |
| 002 | | 531022800 | LEFT OVEN DOOR HINGE S.70 |
| 002 | | 544156900 | |
| 002 | | 531013100 | OVEN DOOR HANDLE OF 70/90-LINE |
| 002 | | 531022900 | HINGE DOOR WHEEL HOLDER S.70 |
| 002 | | 531022700 | RIGHT OVEN DOOR HINGE 70LINE |
| 002 | | 541102300 | GAS OVEN INNER DOOR GN 3/1 S.70 |
| 002 | | 531072800 | |
| 002 | | 544187000 | OVEN DOOR GN 3/1 S.70 |
| 003 | | 533037600 | LOCK SPRING FOR BULB |
| 003 | | 536010800 | OVEN GASKET GN 2/1 (1261) |
| 003 | | 531036600 | LHD RACK HOLDER FOR OVEN S.90 |
| 003 | | 531036300 | OVEN RACK GN 2/1 FOR 90 LINE |
| 003 | | 531036500 | RHD RACK HOLDER FOR OVEN S.90 |
| 003 | | 544410100 | 90 ELECTRICAL OVEN BOTTOM GN2/1 |
| 004 | | 539018800 | INDEX FOR OVEN KNOB |
| 004 | | 539028000 | SELECTOR SIGN PLATE FOR OVEN |
| 004 | | 537034000 | |
| 004 | | 536019700 | BLACK KNOB §70 PIN §6*5 |
| 004 | | 537014200 | GREEN WARNING LIGHT 250V |
| 004 | | 537027800 | OVENUPPER HEATING EL. W800 V230 90L |
| 004 | | 537012800 | SAFETY THERMOSTAT 420°C THREEPHASE |
| 004 | | 539017900 | ADHESIVE GRADUATED DISC FOR KNOB |
| 004 | | 537000900 | THERMOSTAT 50-320°C THREEPHASE |
| 004 | | 539023900 | SIGN PLATE FOR OVEN TEMPERATURE |
| 004 | | 537014100 | WHITE WARNING LIGHT 250V |
| 004 | | 539027900 | ADHESIV.GRADUATED DISC FOR SELECTOR |
| 004 | | 533023600 | TAP PLUG §10 M16*1, 5CH19 |
| 004 | | 533039300 | BICONE §10 |
| 004 | | 533010800 | TUBE NUT D.10 M16*1,5 |
| 004 | | 537000200 | COMMUTATOR 1 POS. 3PHASE S.49 16A |
| 004 | | 537001200 | FIXING BRACKET FOR THERMOSTAT/COMM. |
| 004 | | 539035400 | |
| 004 | | 537027900 | OVENUPPER HEATING EL. W800 V400 90L |
| 004 | | 537028000 | OVENUPPER HEATING EL. W800 V440 90L |

| Page | Pos | Code | Description |
|------|-----|-----------|-------------------------------------|
| 004 | | 537028100 | OVEN LOWER HEATING EL.W700 V230 90L |
| 004 | | 537028200 | HEATING ELEMENT 1700W 230V OVEN S70 |
| 004 | | 537028300 | OVEN LOWER HEATING EL.W1700 V230 90 |
| 005 | | 539018100 | ADHESIVE GRADUATED DISC FOR KNOB |
| 005 | | 536019700 | BLACK KNOB §70 PIN §6*5 |
| 005 | | 539018900 | INDEX FOR KNOB |
| 005 | | 537027700 | COMMUTATOR 7 POSITIONS S.43 32A |
| 005 | | 537014100 | WHITE WARNING LIGHT 250V |
| 005 | | 537035400 | HEATING ELEMENT 00003W 330KO |
| 006 | | 541100900 | INNER DOOR 73 |
| 006 | | 531007600 | DOOR HINGE |
| 006 | | 536000200 | D.12 H.4 BUMPER |
| 006 | | 544182500 | RIGHT DOOR 73 |
| 006 | | 536021100 | BLACK HANDLE 70LINE + 2RED POINTS |
| 006 | | 531007800 | |
| 006 | | 544182400 | RIGHT DOOR 73 |
| 006 | | 541101000 | INNER DOOR 74 |
| 006 | | 544182100 | LEFT DOOR 74 |
| 006 | | 544182000 | RIGHT DOOR 74 |
| 006 | | 544185500 | UPPER DOOR HINGE FOR COMPARTME CF70 |
| 006 | | 531000900 | MAGNET §22 KG.3 WITH DISK |
| 006 | | 541101300 | RIGHT INNER DOOR 74 CF |
| 006 | | 544185100 | RIGHT DOOR 74 |
| 006 | | 544185400 | LOWER DOOR HINGE FOR COMPARTME CF70 |