



Nuggeteisbereiter, 85 kg/24 h, 20 kg Eisvorratsbehälter

Artikel-Nr.
711043 (TB852A)

Explosionszeichnung / Ersatzteile

Bitte bei Ersatzteilbestellung immer Artikelnummer und
Seriennummer mit angeben!



TB 852

LIST OF THE EXPLODED VIEWS



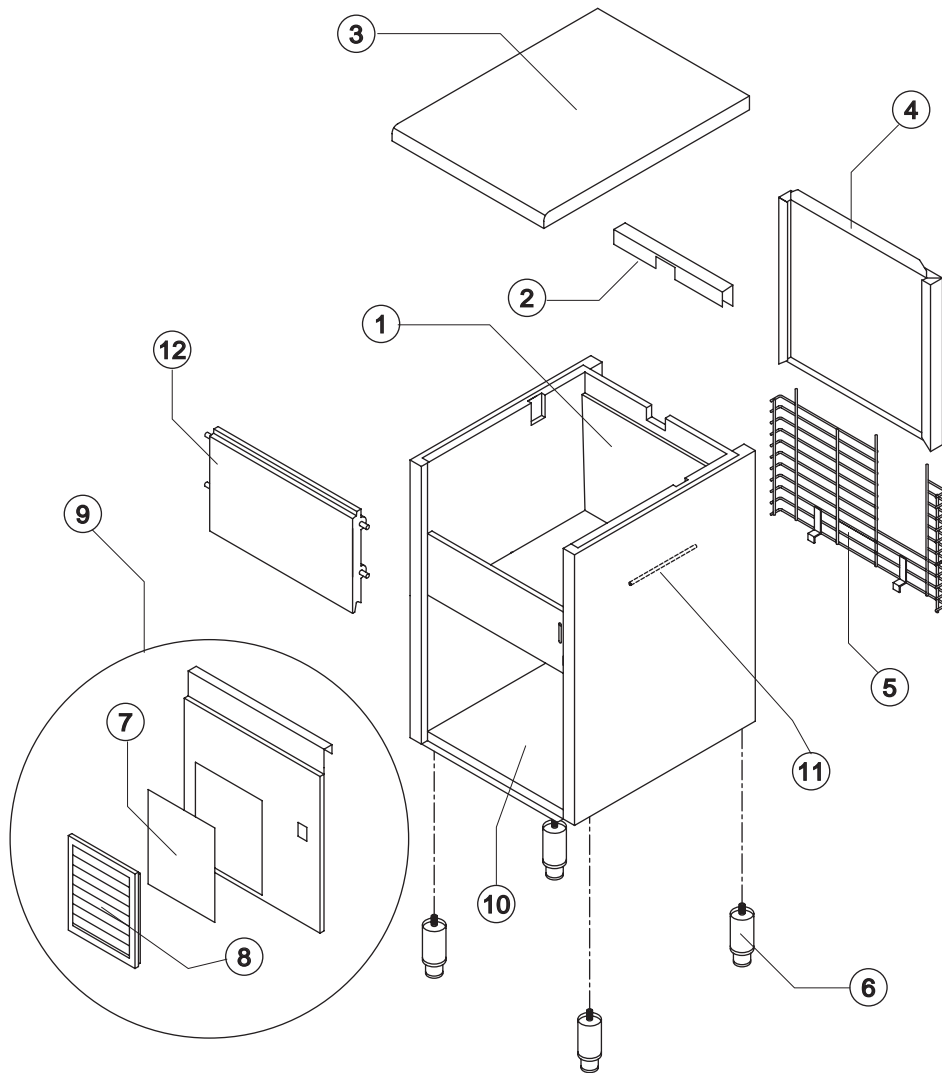
SHELL ASSY

COOLING SYSTEM

EVAPORATOR

HYDRAULIC CIRCUIT

ELECTRIC PARTS

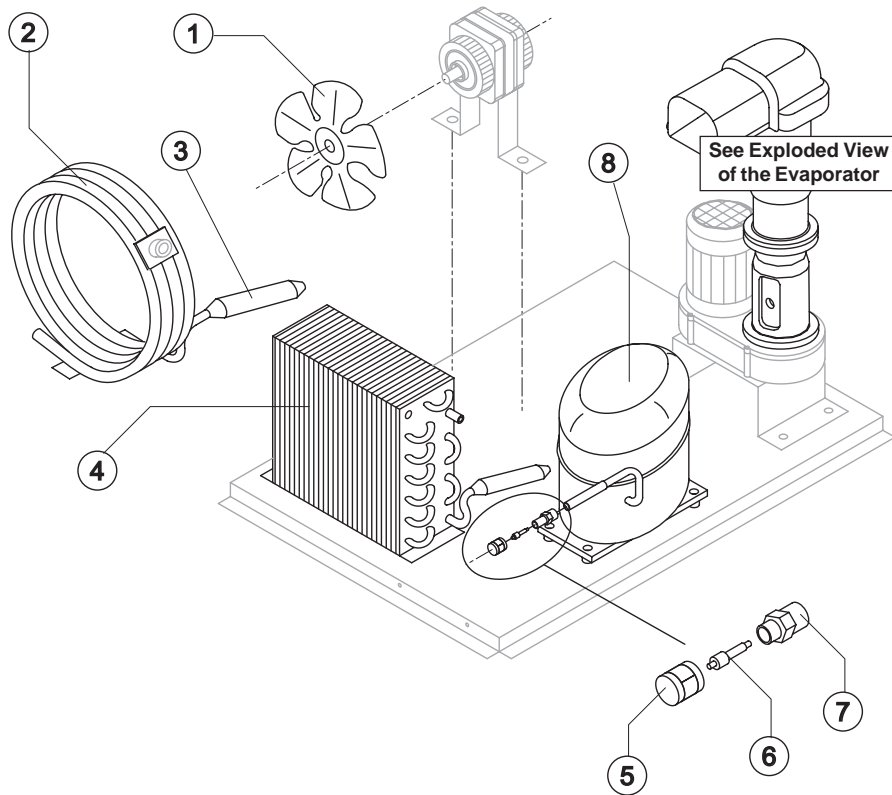


Rev. 5 - 22/01/2014

| Ref. | Spare Description | Code |
|------|---------------------------------|------------------|
| 1 | Foamed Cabinet Assy | See Table |
| 2 | Cover for Ice Exhaust | Current Version |
| 2 | Cover for Ice Exhaust | Till s/n. 589140 |
| 3 | Top Assembly | C22689 |
| 4 | Rear Panel Assembly | C21215 |
| 5 | Rear Grid | D12014 |
| 6 | Adjustable Stainless Steel Foot | 20613 |
| 7* | Filtering Panel | 18106 |
| 8 | Frame + Grid & Filter | C10205 |
| 9 | Front Grid Panel | C22507 |
| 10 | Base Plate | 21283 |
| 11 | Bulbe-holder Pipe | 20521 |
| 12 | Door Assy | C10297 |

Ref. 1 - Foamed Cabinet Assy

| Condensation | Code |
|--------------|---------|
| Air | C11153A |
| Water | C11153W |



Rev. 5 - 22/01/2014

Common Parts

| Ref. | Spare Description | Code |
|------|----------------------------|-----------|
| 3* | Molecular Drier | 14009 |
| 5* | Vacuum-Charge Valve Plug | 14006 |
| 6* | Vacuum-Charge Valve Device | 14005 |
| 7 | Vacuum-Charge Valve Body | 14007 |
| 8 | Compressor | See Table |

Parts for Air-Cooled Version Only

| Ref. | Spare Description | Code |
|------|-------------------|-----------|
| 1 | Sucking Fan | See Table |
| 4 | Air Condenser | 20283 |

Parts for Water-Cooled Version Only

| Ref. | Spare Description | Code |
|------|-------------------|-------|
| 1 | Sucking Fan | 10213 |
| 2 | Water Condenser | 14057 |

Rif. 1 - Sucking Fan

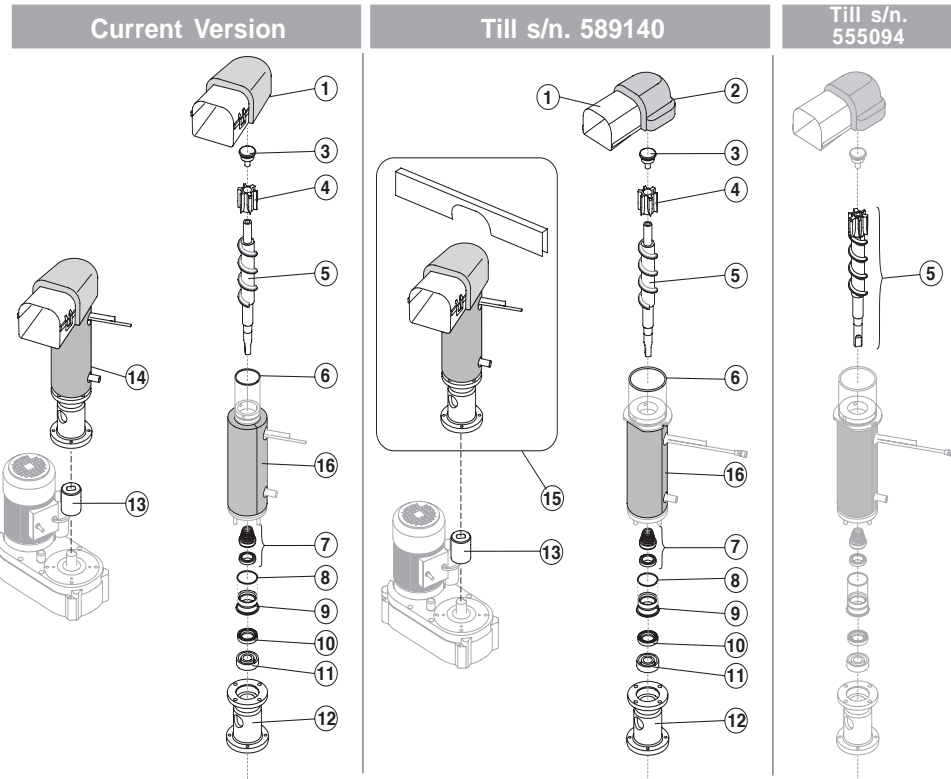
| Voltage | Code |
|---------|-------|
| T11 | 20096 |
| T12 | 20095 |
| T19 | 20095 |

Rif. 8 - Compressor

| Voltage | Code |
|---------|--------|
| T11 | 23985 |
| T12 | 23494A |
| T19 | 231036 |

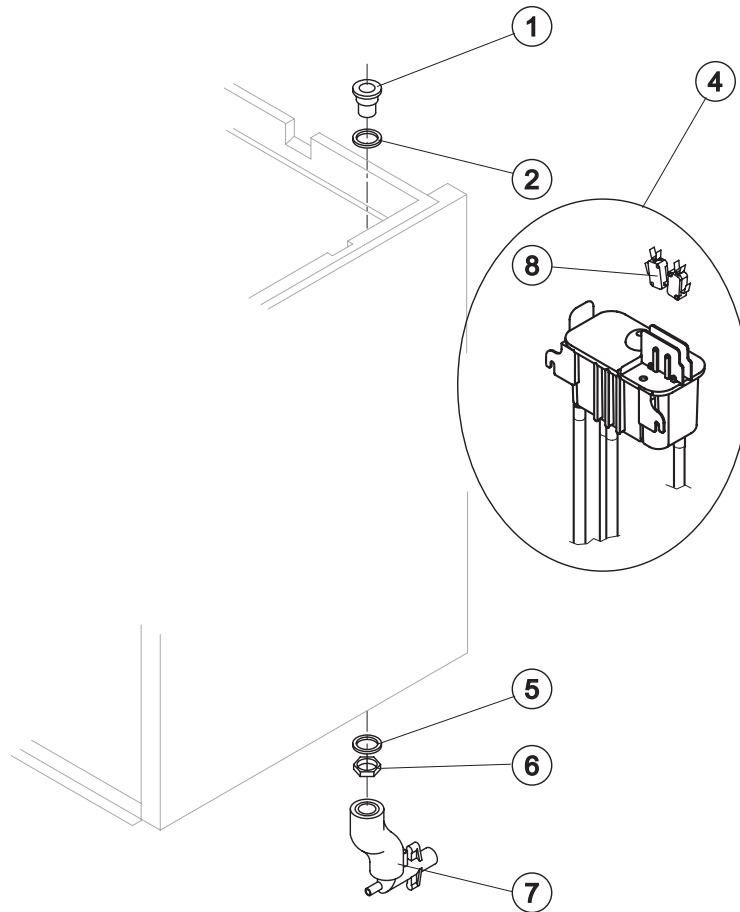


Rev. 5 - 22/01/2014



| Ref. | Spare Description (Current version) | Code |
|------|-------------------------------------|---------|
| 1 | Ice Exhaust with insulatig cap | C10648 |
| 3 | Ice Breaker | 20915 |
| 4 | Extruder with bearings assembly | C201001 |
| 5 | Auger | 201000 |
| 6 | OR Gasket 4325 | 20987 |
| 7 | Ceramic Seal | 20937 |
| 8 | OR Gasket 3162 mat. NBR70 | 20429 |
| 9 | Reduction Ring | 20785 |
| 10 | Seal Ring | 20985 |
| 11 | Bearing | 20917 |
| 12 | Flange | 20916 |
| 13 | Joint | D20630 |
| 14 | Evaporator Assy | C11174 |
| 16 | Insulating Cap | 18205 |

| Ref. | Spare Description (till s/n. 589140) | Code | |
|------|-----------------------------------------|------------------|---------|
| 1 | Ice Exhaust | C10556 | |
| 2 | Insulating cap | 18208 | |
| 3 | Ice Breaker | 20915 | |
| 4 | Extruder with bearings assembly | From s/n. 555095 | C201001 |
| 5 | Auger | From s/n. 555095 | 201000 |
| 5 | Auger + Extruder with bearings assembly | Till s/n. 555094 | C20918 |
| 6 | OR Gasket 4325 | 20931 | |
| 7 | Ceramic Seal | 20937 | |
| 8 | OR Gasket 3162 NBR70 | 20429 | |
| 9 | Reduction Ring | 20785 | |
| 10 | Seal Ring | From s/n. 515012 | 20985 |
| 11 | Bearing | 20917 | |
| 12 | Flange | 20916 | |
| 13 | Joint | D20630 | |
| 15 | Evaporator Assy | KITNEV/TB852 | |
| 16 | Insulating Cap | 18205 | |



Common Parts

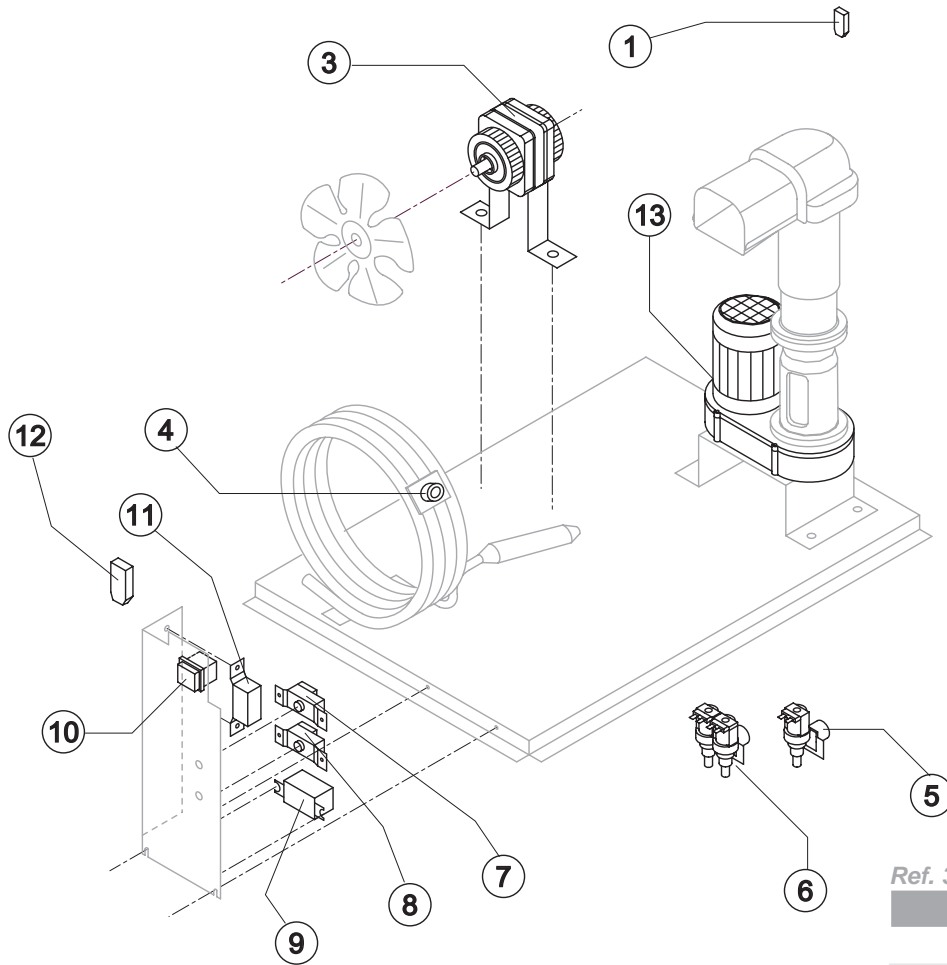
| Ref. | Spare Description | Code |
|------|-------------------------------|--------|
| 1 | Water Outlet Nipple | 10472 |
| 2 | Silicone Gasket | 13006 |
| 4* | Double Switch Basin Assembly | C10708 |
| 5 | Semirigid Polyethylene Gasket | 13007 |
| 6 | Bin Discharge Nut | 10096 |
| 8 | Microswitch | 23055 |

Parts for Air-Cooled Version Only

| Ref. | Spare Description | Code |
|------|---------------------|--------|
| 7 | Discharges Manifold | C10235 |

Parts for Water-Cooled Version Only

| Ref. | Spare Description | Code |
|------|---------------------|--------|
| 7 | Discharges Manifold | C10240 |



Rev. 5 - 22/01/2014

Common Parts

| Ref. | Spare Description | Code |
|------|--------------------------------|------------------------------|
| 1 | Anti Radio Interference Filter | Only T11 C23457 |
| 3* | Fan Motor | See Table - |
| 7* | Bin Thermostat | R23005 |
| 8* | Evaporator Thermostat | Current Version R23591 |
| 8* | Evaporator Thermostat | Till s/n. 587092 KIT23591 |
| 9* | Relay | See Table - |
| 10* | Green Light Switch (On-Off) | 23327 |
| 11* | Condenser Pressure Switch | See Table - |
| 12 | Anti Radio Interference Filter | Only T11 C23459 |
| 13 | Gearmotor | Current Version 231060 |
| 13 | Gearmotor | Till s/n. 594912 R231060 |

Parts for Air-Cooled Version Only

| Ref. | Spare Description | Code |
|------|--------------------------|----------------|
| 5* | 1 Way- Water Inlet Valve | See Table - |

Parts for Water-Cooled Version Only

| Ref. | Spare Description | Code |
|------|---------------------------|----------------|
| 4* | Safety Thermostat | C23114 |
| 6* | 2 Ways- Water Inlet Valve | See Table - |

Ref. 3* - Fan Motor

| Voltage | Code |
|---------|-------|
| T11 | 23029 |
| T12 | 23029 |
| T19 | 23683 |

Ref. 5* - 1 Way- Water Inlet Valve

| Voltage | Code |
|---------|-------|
| T11 | 23115 |
| T12 | 23115 |
| T19 | 23410 |

Ref. 6* - 2 Ways-Water Inlet Valve

| Voltage | Code |
|---------|-------|
| T11 | 23116 |
| T12 | 23116 |
| T19 | TBD |

Rif. 9* - Relè

| Voltage | Current Version | till s/n. 699275 |
|---------|-----------------|------------------|
| T11 | 23190 | 23190 |
| T12 | 23190 | 23190 |
| T19 | 231099 | 23557 |

Ref. 11* - Cond. Pressure Switch

| Voltage | Code |
|---------|-------|
| T11 | 23175 |
| T12 | 23175 |
| T19 | 23680 |

Ref. 13 - Gearmotor

| Voltage | Current Version | Till s/n. 594912 |
|---------|-----------------|------------------|
| T11 | 231060 | R231060 |
| T12 | 231030 | R231030 |
| T19 | 231056 | R231056 |