



## **Schrägschneider rot, Messer Ø 300 mm**

Artikel-Nr.  
411037 (SG300LPRed)

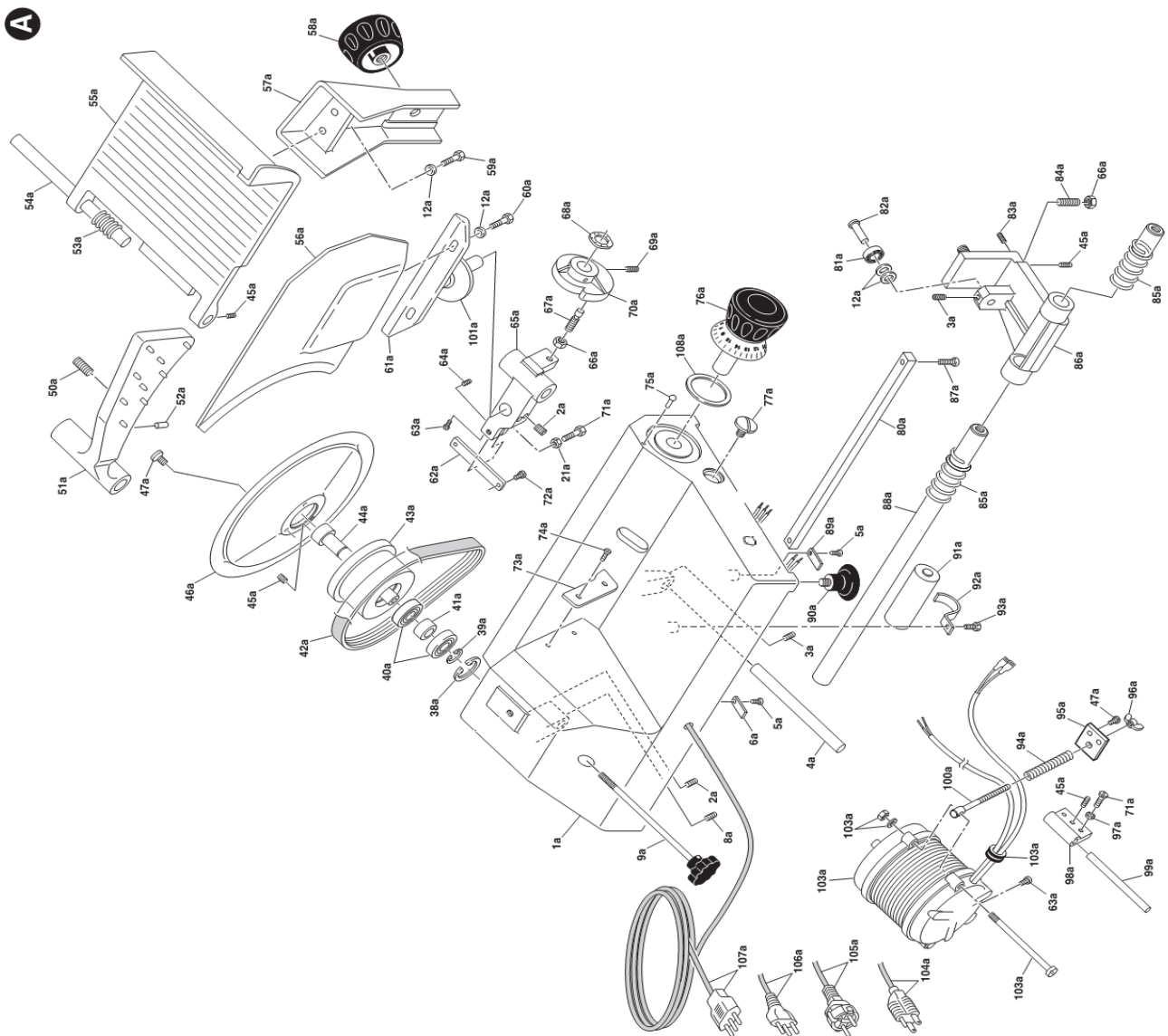
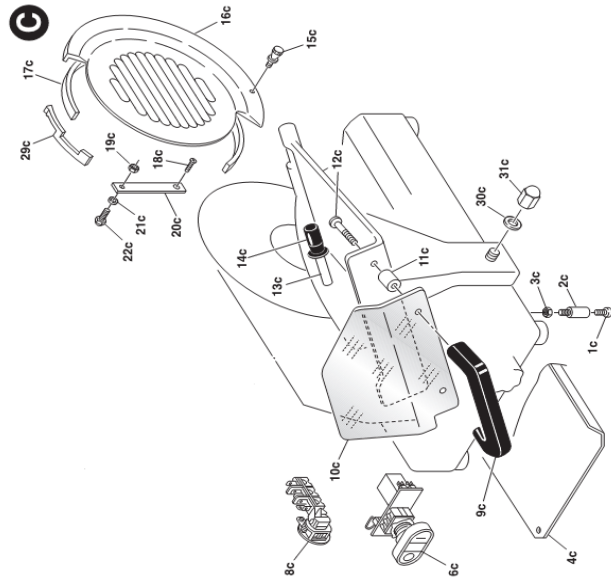
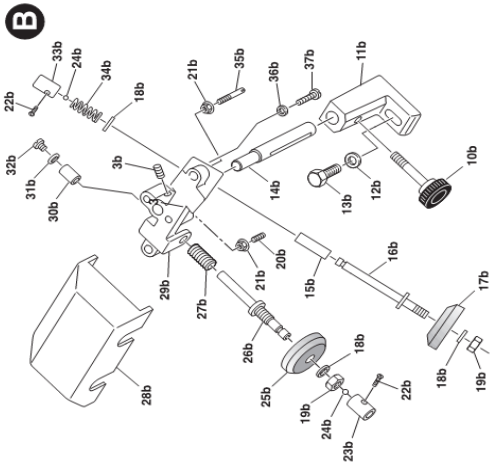
---

### **Explosionszeichnung / Ersatzteile**

---

Bitte bei Ersatzteilbestellung immer Artikelnummer und  
Seriennummer mit angeben!

# SPARE PART LIST / ESPLOSO SG300P ROSSA-300LP ROSSA



## SPARE PART LIST / ESPLOSO SG300P ROSSA-300LP ROSSA

REF.	CODE CODICE	DESCRIPTION	DESCRIZIONE	
1a		Red base	Base rossa	
38a	R01035	Pulley seeger	Seeger puleggia	
39a	R01034	Seeger of pulley shaft	Seeger perno mandrino	
40a	R00407	Bearing	Cuscinetto	
41a	R01033	Pulley spacer	Distanziale puleggia	
42a	R00782	Belt	Cinghia	
43a	R01031	Pulley	Puleggia	
44a	R01032	Pulley shaft	Perno mandrino	
38a	R00746	Blade pulley assembly	Mandrino completo	
39a				
40a				
41a				
43a				
44a				
46a	R00141	Blade	Lama	
51a	R00704	Pusher	Pressamerce	
53a	R01474	Pusher spring	Molla pressamerce	
56a	R01637	Gauge plate	Vela	
76a		Adjustment knob	Manopola graduata	
90a	R00446	Foot	Piedino	
91a	R00790	Capacitor	Condensatore	
103a	R00500	Single phase motor 230/1N/50Hz	Motore monofase 230/1N/50Hz	
28b		Red covering	Capottina rossa	
6c	R01217	Electronic card 230V/1Ph + switch	Scheda 230V/1ph + interruttore	
9c	R01480	L shaped carriage handle	Maniglia piatto a "L"	
10c	R00644	Carriage protection	Protezione piatto	
14c	R00706	Handle	Manopola pressamerce	
15c	R01639	Blade protection screw	Vite zigrinata paralama	
16c	R01638	Blade protection	Paralama	