

M B M

**SPARE PARTS CATALOGUE
ERSATZTEILKATALOG
CATALOGUE PIECES DETACHEES
CATALOGO PARTI RICAMBIO
CATALOGO DE PIEZAS DE RECAMBIO
CATALOGO PEÇAS DE REPOSICAO**

LK600

25-02-2009

LK600

Tav.1: Carrozzeria

Tav.2: Impianto elettrico

Tav.3: Componenti in vasca

Tav.4: Circuito di lavaggio

Tav.5: Circuito di risciacquo

Tav.6: Lance di lavaggio

Tav.7: Pompa di lavaggio

Tav.8: Pompa di scarico

Tav.1: Machine body

Tav.2: Electrical components

Tav.3: Components in the tank

Tav.4: Washing circuit

Tav.5: Rinsing circuit

Tav.6: Washing arms

Tav.7: Washing pump

Tav.8: Draining pump

Tab.1: Carrocería

Tab.2: Instalación eléctrica

Tab.3: Componentes en cuba

Tab.4: Circuito de lavado

Tab.5: Circuito d'enjuague

Tab.6: Brazos de lavado

Tab.7: Bomba de lavado

Tab.8: Bomba de descarga

Tab.1: Carrosserie

Tab.2: Installation électrique

Tab.3: Composants de cuve

Tab.4: Circuit de lavage

Tab.5: Circuit de rinçage

Tab.6: Bras de lavage

Tab.7: Pompe de lavage

Tab.8: Pompe de vidange

Taf.1: Verkleidung

Taf.2: Elektrische Anlage

Taf.3: Bauteile im Waschtank

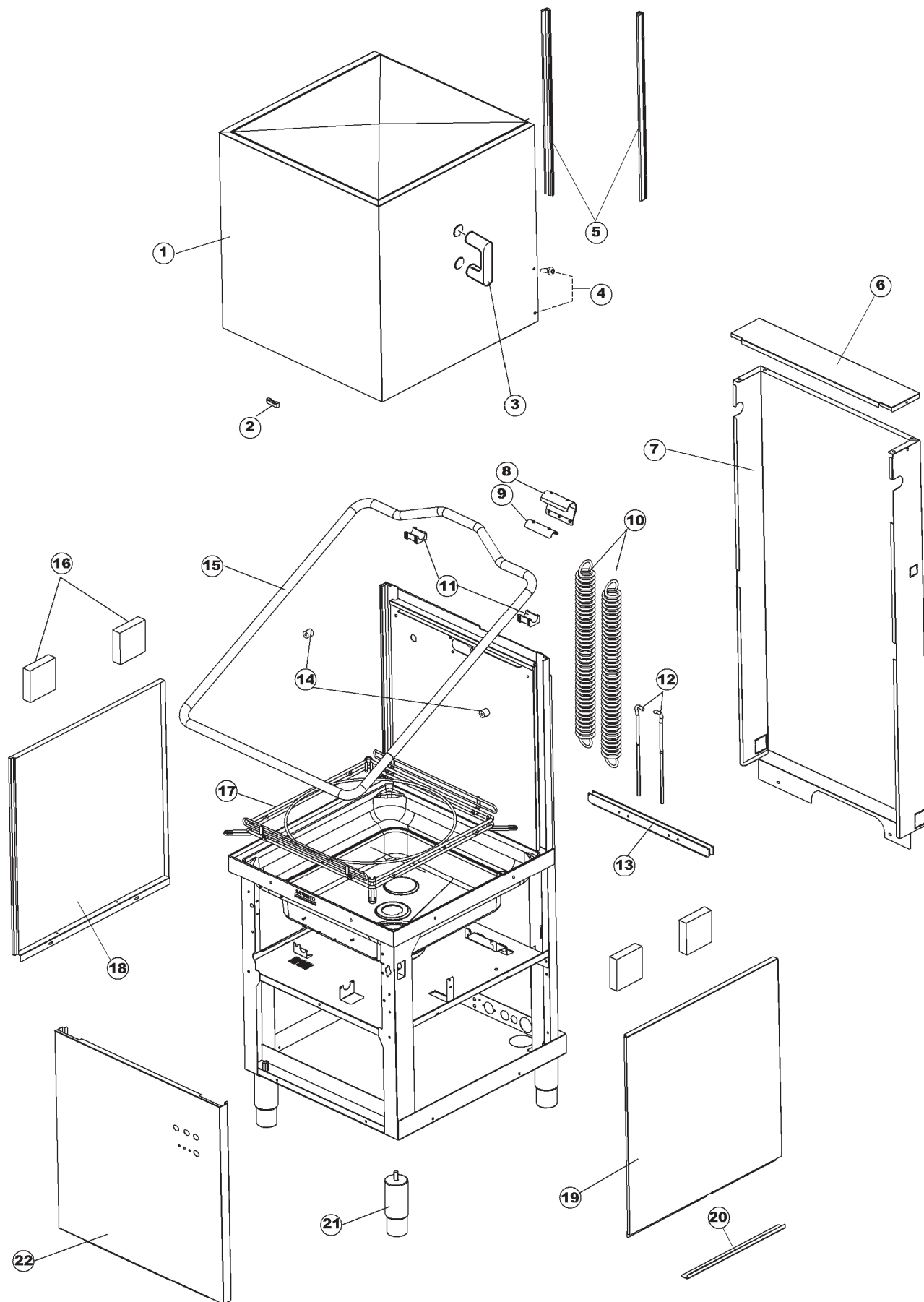
Taf.4: Spuelschaltung

Taf.5: Nachspuelschaltung

Taf.6: Wascharme

Taf.7: Spuelpumpe

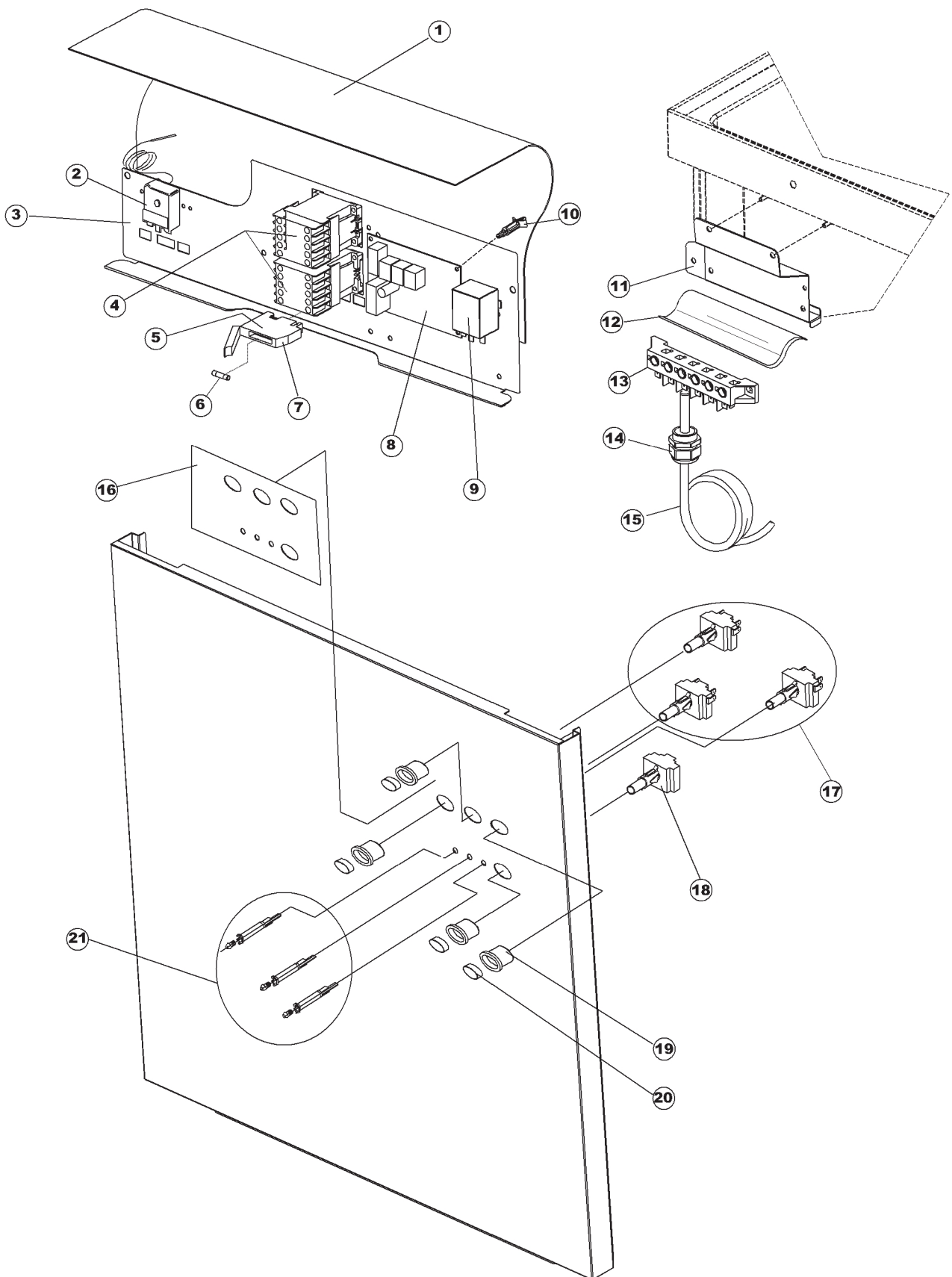
Taf.8: Laugenpumpe



Pagina 1

1	80141	GRUPPO CAPPА SQUADRATA COMPLETA GRUPPO CAPPА SQUADRATA	
2	927088	MAGNETE PER MICROINTERRUTTORE CAPPА MAGNET FOR HOOD MICROSWITCH (M303CE) MAGNET FUER HAUBE-MIKROSCHALTER (M303CE) MAGNETO POUR MICRO HOTTE (M303CE)	
3	926243	PONTICELLO GRIGIO PER MANIGLIONE TIPO CO BIG HANDLE GREY BRACKET - CLG TYPE BRUECHLEIN FUER GROSSEN HANDGRIFF TYP CO PONTET GRIS POUR GRANDE POIGNEE' TYPE CO	
4	80998	VITE PLASTICA M4X6 (DIN933) GOLD SCREW SCHRAUBE VIS	
5	80068	GUIDA CAPOT HOOD DRIVE BAHN GUIDE HOTTE	
6	80324	CAPPELLO X PANNELLO POSTERIORE PG. F COVER FOR BACK PANEL GEHAUSEDECKEL DESSOUS POUR PANNEAU ARRIERE	
7	80162	PANNELLO RETRO BACK PANEL RUECKWAND CPL 463 PANNEAU ARRIERE	
8	80275	SQUADRA AGGANCIО MOLLE ST - FINITA COIL HOOKING BRACKET - COMPLETE KOMPLETTE FEDER- AUFHAENGEVORRICHTUNG ETRIER ACCROCHAGE RESSORTS ST - COMPLET	
9	80277	PATTINO AGGANCIО MOLLE SPRING HOOKING SLIDE - "GOLD" SERIES FEDERBEFESTIGUNGSSCHLITTE-SERIE GOLD PATIN ACCROCHAGE RESSORTS GOLD	
10	926007	MOLLA ACCIAIO A TRAZIONE PER LAVASTOVIGL EXTENSION STEEL SPRING FOR DISHWASHER MO ZUGFEDER AUS STAHL FUER GESCHIRRSPUELER RESSORT DE TRACTION EN ACIER POUR LAVE-	
11	80190	SQUADRA SUPP.MANIGLIONE BRACKET BEF.WINKEL EQUERRE	
12	926009	GANCIO DI REGOLAZIONE MOLLE SPRING ADJUSTMENT HOOK FEDER-EINSTELLUNGSHAKEN CROCHET DE REGLAGE RESSORTS	
13	80023	SQUADRA BRACKET BEF.WINKEL EQUERRE	
14	80105	PARACOLPI CAPOT SHOCK ABSORBER PUFFER AMMORTISSEUR	
15	80027	MANIGLIONE RIVER HANDLE HANDGRIFF BRANCARD	
16	41042	SPESSORE ADESIVO PANNELLI LATERALI LP STICKY DOOR SIDE THICKNESS KLEBENPER SCHLEGER TEMPON ADHESIF	
17	80240	TELAIO PORTACESTO CAPOT D1000 RACK FRAME RAHMEN SUPPORT PANIER	

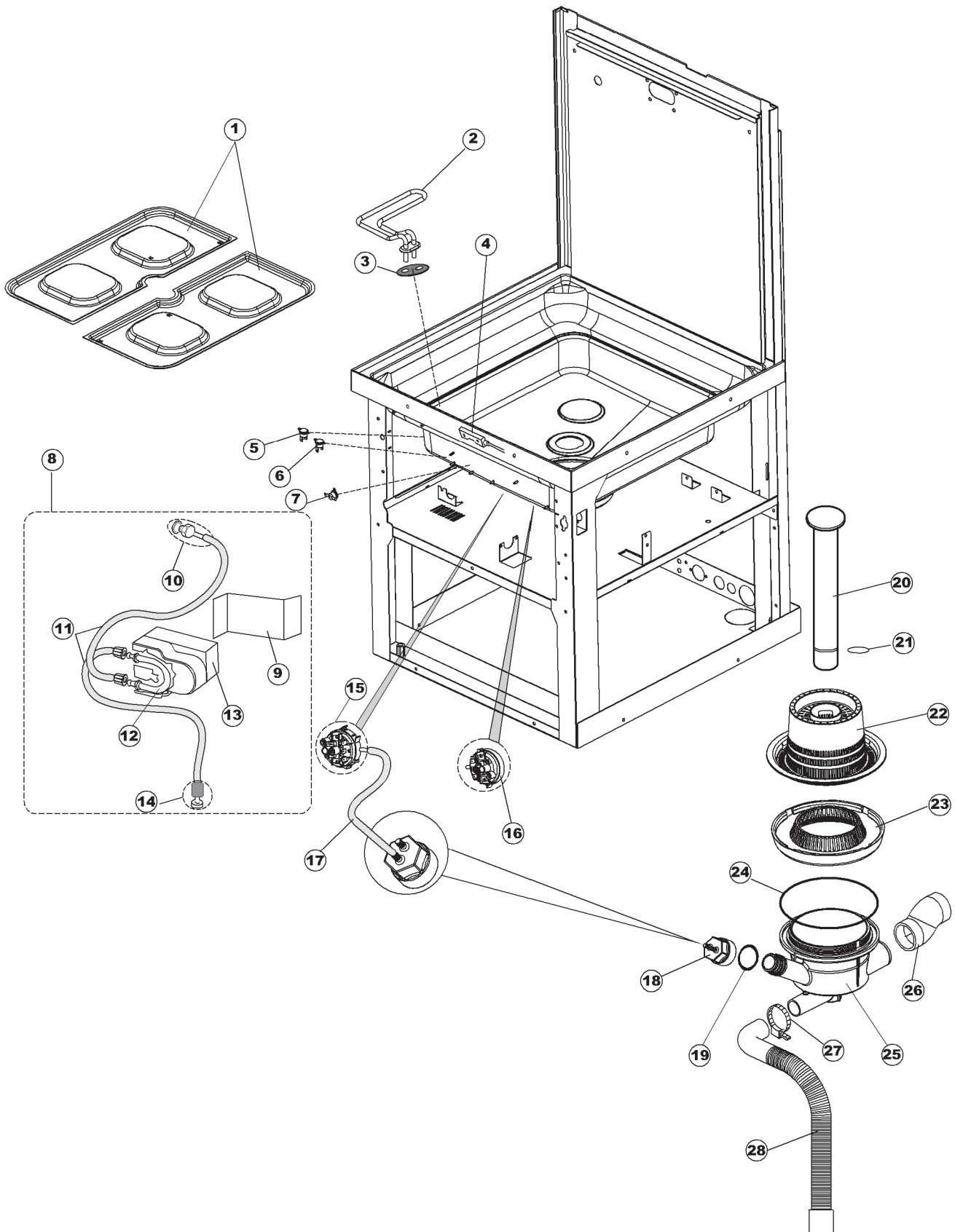
18	80071	PANNELLO LATERALE SX PG FINITO SIDE PANEL LEFT SEITNES PANEEL LINKS PANNEAU LATERERERAL GH.	
19	80072	PANNELLO LATERALE DX PG FINITO SIDE PANEL RIGHT PANNEAU LATERAL DROITE SEITEABDECKUNG	
20	80078	SQ. FISSAGGIO SOTTOPIANI GOLD PG FINITO FIXING BRACKET BEFESTIGUNGSHALTER EQUERRE DE FIXATION	
21	79028	PIEDE IN ACCIAIO INOSSIDABILE 1" 3/4 STAINLESS STEEL ADJ.FEET 1" 3/4 FUSS AUS NICHT ROSTENDEM STAHL 1" 3/4 VERRIN EN ACIER INOXYDABLE 1" 3/4	
22	69460	PANNELLO FRONTALE FRONT PANEL FRONTPANEEL PANNEAU AVANT	



Pagina 2

1	214086	PROTEZIONE TRASPARENTE PER IMPIANTO ELET TRANSPARENT PROTECTION FOR ELECTRIC DURCHSICHTIGER SCHUETZ FUER ELEKTRISCHE PROTECTION TRANSPARENTE POUR INSTALLA- T	
2	236043	TERMOSTATO BOILER PER LAVASTOVIGLIE ADJUSTABLE BOILER THERMOSTAT FOR DISH- W THERMOSTAT DES WARMWASSERBEREITERS FUER THERMOSTATE SURCHAUFFEUR POUR LAVE- VAIS	
3	69041	PANNELLO IMPIANTO PANEL PANEEL PANNEAU	
4	80350	CONTATTORE 230/50-60HZ CONTACTOR 230-50/60HZ KONTAKT-GEBER 230-50/60HZ CONTACTEUR 230-50/60HZ	
5	H.228048	CHIUSURA PORTA FUSIBILE FUSEBOX LID VERSCHLUSS SICHERUNGSHALTER FERMETURE PORTE FUSIBLE	
6	228010	FUSIBILE 5X20 4A FAST FUZE SICHERUNG FUSIBLE	
7	H.228047	PORTAFUSIBILE FUZE-HOLDER SICHERUNGSHALTER PORTE FUSIBLE	
8	215029	SCHEDA IGEA CONTROLLO ELT.LA50 IBRIDA MAIN BOARD KARTE CARTE ELECTRONIQUE	
9	DER111	RELE 30A 230AC 653182300300 RELA Y 30A 230AC 653182300300 (S6246) RELAIS 30A 230AC 653182300300 RELAIS 30A 230AC 653182300300	
10	CWP2	PIEDINI SUPPORTO SCHEDA ELET.(ART.DRA6A) FOOT FUSS PIED	4x
11	69063	SUPPORTO MORSETTIERA	
12	214088	PROTEZ.ELETTTR.TRASP.CL.3 ELECTRIC PROTECTION 220x110 SCHUTZVERKL. ELEKTRIK TRANSPARENT 220x11 PROTECTION ELECT..TRANSP. 220x110 X3	
13	220011	MORSETTIERA 5 POLI CON MORSETTO DI MESSA 5 POLES TERMINAL BOARD WITH EARTHING TER FUENFPOLIGE KLEMMLEISTE + ERDUNGSKLEMME PLAQUE A BORNE 5 POLES AVEC BORNE DE TER	
14	929103	PRESSACAVO PG16 PASSO (BER 4716) CABLE-PRESS KABELBESCHWERER PRESSE-CABLE	
16	69930	POLIESTERE MODELLO MBM LK600	
17	208010	DEVIATORE DOPPIO DOUBLE SWITCH ON-OFF (S6148) DOPPELSCHALTER CORPS DE CONTACT	
18	226102	PULSANTE ELLITTICO ELLIPTICAL PUSH-BUTTON ELLIPTISCHER DRUCKKNOPF POUSSOIR ELLIPTIQUE	

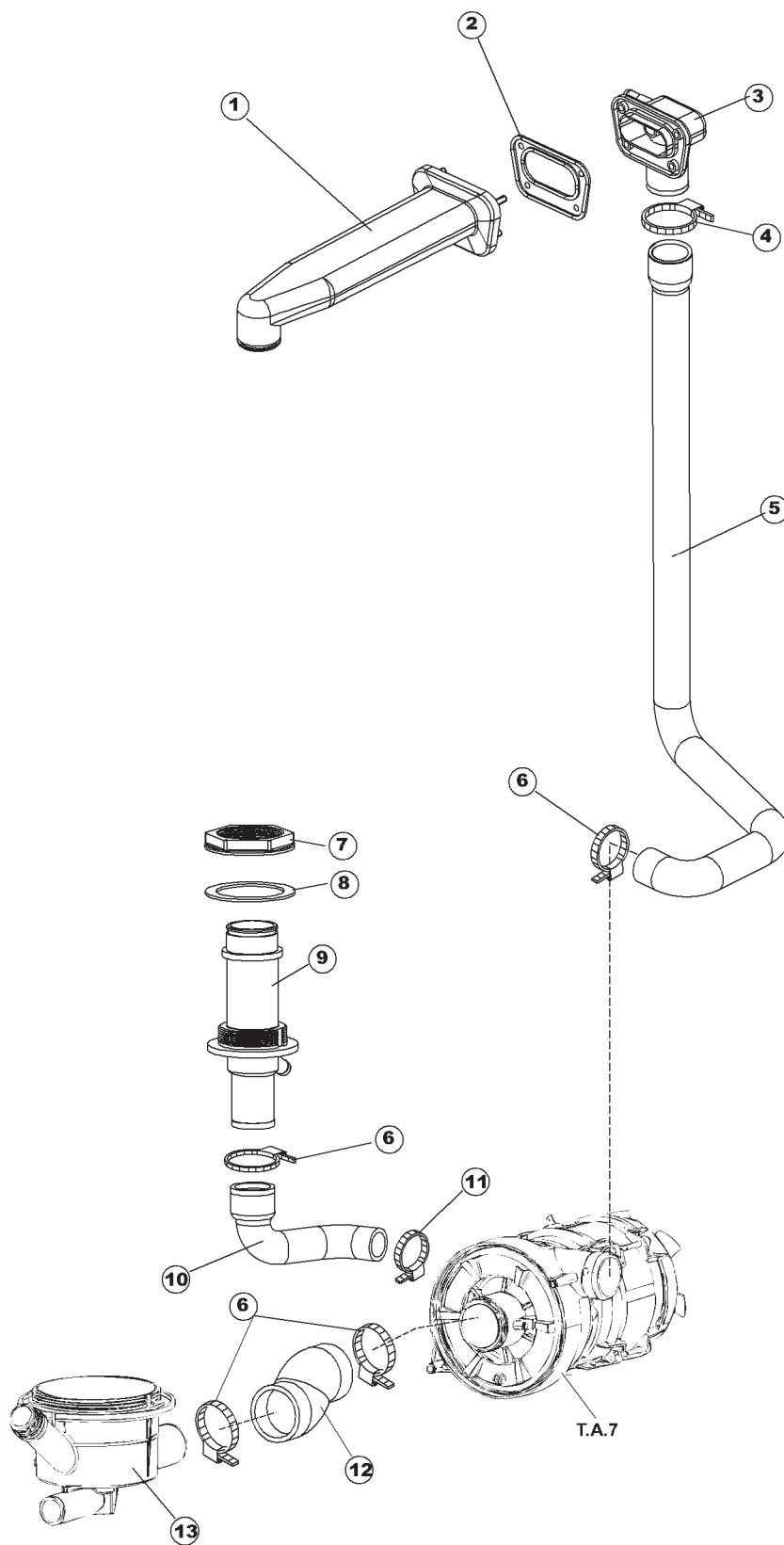
19	226124	CORPO PULSANTE NERO SERIE D25 SWTCH HOLDER DRUCKKNOPF KOMPLETT POUSSOIR COMPLET	
20	227079	TASTO GOFFRATO BIANCO(0774) D25 LINE BUTTON SCHALTER TOUCHE BLANCHE	
21	216029	LAMPADA SPIA TB/06/SQ3 ARANCIO ORANGE LIGHT KONTROLLEUCHTE ORANGE TEMOIN ORANGE	



Pagina 3

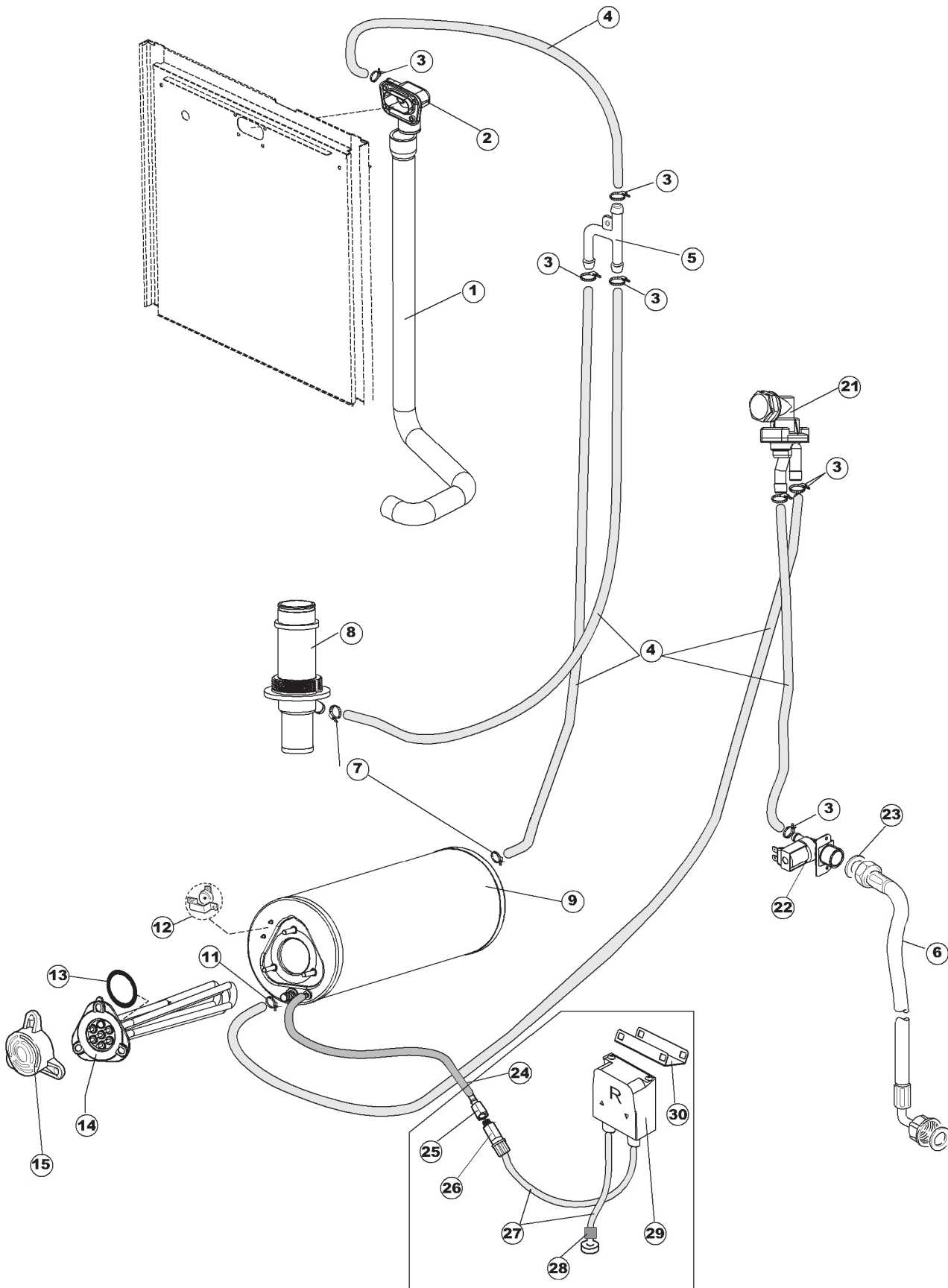
1	121123	FILTRO VASCA PLAST.INTEGRALE LA50	
2	230112	RESISTENZA V 1400W-230V - LA50	
3	437086	GUARNIZIONE RESISTENZA VASCA PACKING OF THE TANK RESISTANCE DICHTUNG DER TANKHEIZUNG JOINT RESISTANCE CUVE	
4	211002AG	CONTATTO MAGNETICO MAGNETIC DOOR SWITCH TUERKONTAK SCHALTER CONTACT MAGNETIQUE	
5	929189	VENTOLA PER ELETTROPOMPA 2250 WASHPUMP FAN 2250 LAUFRAD FUER MOTORPUMPE 2250 HELICE POUR MOTO-POMPE 2250	
6	236048	TERMOSTATO BOILER DI LAVORO 80° WORKING BOILER THERMOSTATE 80° THERMOSTAT DES BETRIEBSWARMWASSERBEREITE THERMOSTATE SURCHAUFFEUR DE TRAVAIL 80°	
7	236035	TERMOSTATO VASCA A CONTATTO CONTACT THERMOSTAT TANK KONTAKT-TANKTHERMOSTAT THERMOSTAT CUVE A CONTACT	
8	69703	KIT DOSATORE BRILLANTANTE PERISTALTICO RINSE AID DISPENSER KIT KIT	Optional
9	69030	SQUADRA SUPPORTO DOSATORE PIEGATO FINITO	
10	468151	RACCORDO IN ACCIAIO INOSSIDABILE DI ENTR STAINLESS STEEL INLET DETERGENT ELBOW, A ANSCHLUSSSTUECK AUS NICHTROSTENDEM STAHL RACCORD EN ACIER INOXYDABLE ENTREE' DETE	
11	143194	TUBO TRASPARENTE 4X6 TRANSPARENT HOSE 4X6 DURCHSICHTIGES ROHR 4X6 TUYAU TRANSPARENT 4X6	
12	143219	TUBETTO SANTOPRENE 6X10 TUBE 6X10 FLASCHEN 6X10 TUBE 6X10	
13	209021	DOSAT.PERIST.DETERGENTE REG.	
14	121075	FILTRO PER POMPA DETERSIVO DETERGENT PUMP FILTER (S6754) SIEB FUER SPUELMITTEL-PUMPE FILTRE POUR POMPE DETERGENT	
15	224022	PRESSOSTATO 120/106 LAVORO MAIN PRESSURE SWITCH 120/106 ARBEITSDRUCKWAECHTER 120/106 PRESSOSTAT DE TRAVAIL EB/HO X3 120/106	
16	224023	PRESSOSTATO - 165/140 MAIN PRESSURE SWITCH 165/140 ARBEITSDRUCKWAECHTER 165/140 PRESSOSTAT DE TRAVAIL 165/140	Pompa scarico
17	143005	TUBO IN GOMMA TELATA 5X12 NERO LINEN RUBBER PIPE 5X12 - BLACK SCHLAUCH AUS LINENGUMMI 5X12 - SCHWARZ TUYAU EN CAOUTCHOUC LIN 5X12 NOIR	

18	107013	CAMPANA PRESSOSTATO PRESSURE SWITCH AIR BELL LUFT-GLOCKE DES DRUCKSCHALTERS CLOCHE PRESSOSTAT	
19	456073	OR(50825)CAMPANA PRESS.LA50 O-RING O-RING O-RING	
20	142058	TROPPO PIENO LA50 OVERFLOW PIPE LA50 UEBERLAUFROHR LA50 BONDE DE SURVERSE LA50	
21	456081	O-RING O-RING O-RING O-RING	
22	121120	FILTRO BASE COMPLETO LA50 FILTER COMPLETE SIEB FILTRE COMPLETE	
23	429072	GHERA CORPO ASPIR./SCARICO LA50	
24	456076	OR.D.I.135.9X5.33 ART.53125 OR.D.I.135.9X5.33 ART.53125 TORISCHE DICHTUNG D.I.135.9X5.33 JOINT TORIQUE D.I.135.9X5.33	
25	136028	CORPO ASPIR./SCARICO LA50 ASPIRATION AND DRAIN BODY LA50 ABSAUG-UND ABFLUSSKOEPPER LA50 CORPS D'ASPIRATION/VIDANGE LA50	
26	127082	MANICOTTO MANDATA RISCIAQUO MANCHON REFOULEMENT RINÇAGE NACHSPUEL-FOERDERUNGSBOGEN RINSE DELIVERY ELBOW	
27	CFS1	FASCETTA A VITE TORRO 32-50/9-7 SCREW-CLAMP TORRO 32-50/9-7 SCHARUBE-SHELLE TORRO 32-50/9-7 COLLIER A VIS TORRO 32-50/9-7	
28	143252	TUBO SCARICO LA50 DRAIN HOSE ABLAUFLEITUNG TUYAU VIDANGE	



Pagina 4

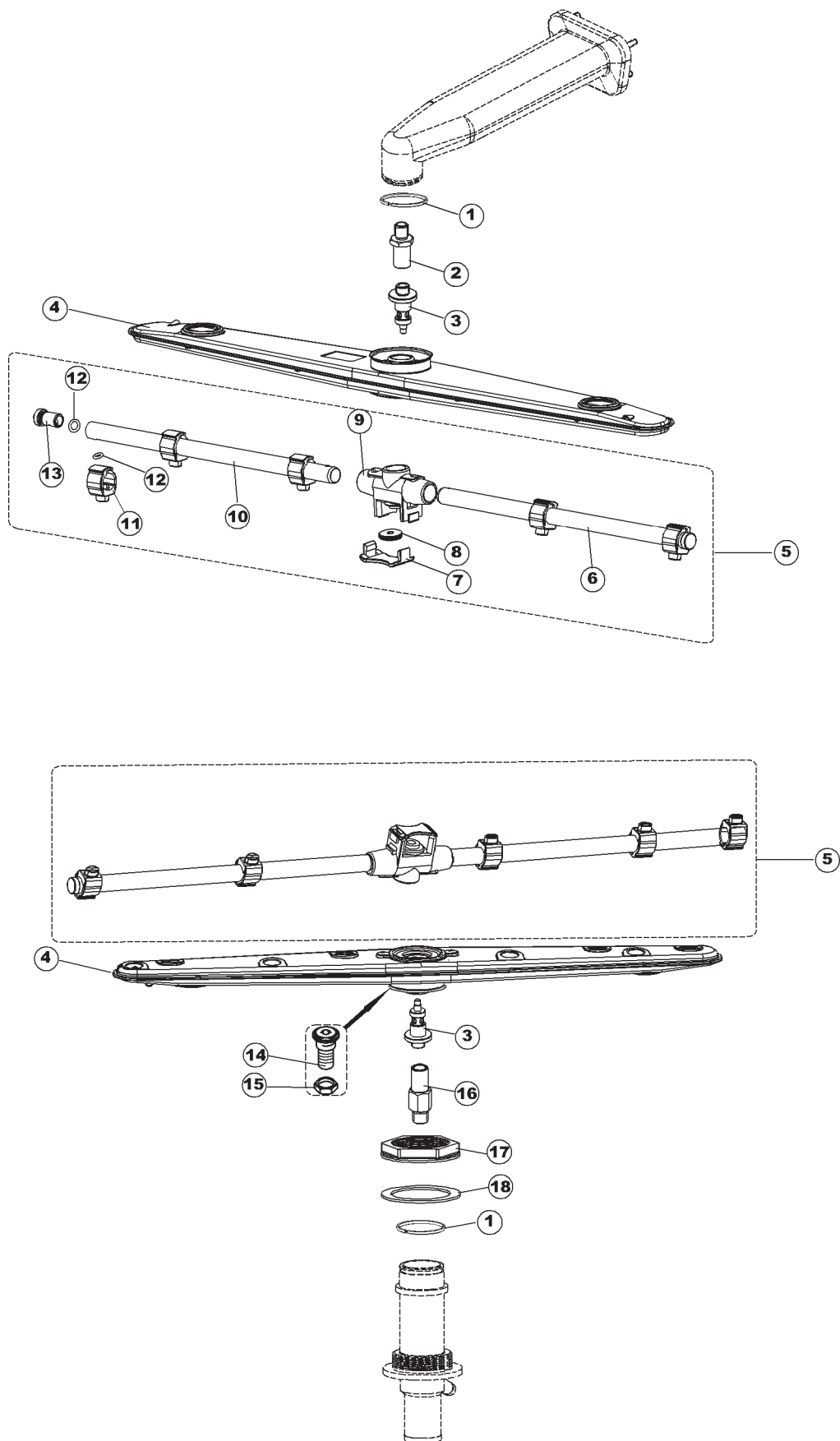
1	80177	CONDOTTO LAVAGGIO SUP.RIVER MAINFOLD ZULAULEITUNG DURITE	
2	80178	GUARNIZIONE MANDATA LAVAGGIO SUPERIORE INLET PIPE GASKET FOR UPPER WASHING DICHTUNG DER ZUFUEHRUNGSLEITUNG FUER WA JOINT TUYAU DE REFOULEMENT LAVAGE SUPERI	
3	80174	RACCORDO LAVAGGIO SUPERIORE ESTERNO CONNECTION ANSCHLUSS RACCORD	
4	CFS1A	FASCETTA A VITE TORRO 40-60/13-7 SCREW-CLAMP TORRO 40-60/13-7 SCHRAUBE-SHELLE TORRO 40-60/13-7 COLLIER A VIS TORRO 40-60/13-7	
5	69020	TUBO MANDATA LAVAGGIO SUPERIORE CAPOT	
6	CFS1	FASCETTA A VITE TORRO 32-50/9-7 SCREW-CLAMP TORRO 32-50/9-7 SCHRAUBE-SHELLE TORRO 32-50/9-7 COLLIER A VIS TORRO 32-50/9-7	
7	429073	GHIERA FISSA CONDOTTO INF.LA50	
8	437102	GUARNIZIONE CONDOTTO INFER.LA50	
9	115143	CONDOTTO CENTRALE INF.LA50 TAPPO DOS. UPPER CENTRAL PIPE LA50 ZENTRALLEITUNG OBEN LA50 CONDUIT CENTRAL INFERIEUR LA50	
10	127085	MANICOTTO MANDATA INF.LA50 PUMP INTAKE COUPLING LA50 SAUGMUFFE PUMPE LA50 MANCHON ASPIRATION POMPE LA50	
11	423008	FASCETTA A VITE TORRO 25-40/9 SCREW CLAMP TORRO 25-40/9 SCHRAUBE-SHELLE TORRO 25-40/9 COLLIER A VIS TORRO 25-40/9	
12	127082	MANICOTTO MANDATA RISCIAACQUO MANCHON REFOULEMENT RINÇAGE NACHSPUEL-FOERDERUNGSBOGEN RINSE DELIVERY ELBOW	
13	136028	CORPO ASPIR./SCARICO LA50 ASPIRATION AND DRAIN BODY LA50 ABSAUG-UND ABFLUSSKOERPER LA50 CORPS D'ASPIRATION/VIDANGE LA50	



Pagina 5

1	69020	TUBO MANDATA LAVAGGIO SUPERIORE CAPOT	
2	80174	RACCORDO LAVAGGIO SUPERIORE ESTERNO CONNECTION ANSCHLUSS RACCORD	
3	927322	FASCETTA NASTRO 12-22 TAPE CLAMP 12-22 BANDSCHELLE 12-22 COLLIER POUR BANDE 12-22	
4	143010	TUBO IN GOMMA 12X19,5 RUBBER PIPE 12X19,5 GUMMISCHALUCH 12X19,5 TUYAU EN CAOUTCHOUC 12X19,5	
5	143173	GIUNZIONE DI RISCIAQUO Y-JUNCTION RINSE MANIFOLD Y-STUECK RACCORD DE RINCAGE	
6	929169	TUBO DI CARICO TERMOPLASTICO VDE (3/4 X THERMOPLASTIC INLET HOSE VDE (A2096) THERMOPLASTISCHER ZULAUFSCHLAUCH VDE TUYAU DE CHARGEMENT THERMOPLASTIQUE VDE	
7	927322	FASCETTA NASTRO 12-22 TAPE CLAMP 12-22 BANDSCHELLE 12-22 COLLIER POUR BANDE 12-22	
8	115143	CONDOTTO CENTRALE INF.LA50 TAPPO DOS. UPPER CENTRAL PIPE LA50 ZENTRALLEITUNG OBEN LA50 CONDUIT CENTRAL INFERIEUR LA50	
9	104060	BOILER LA50 BOILER BOILER SURCHAUFFEUR LA50	
10	423010	FASCETTA A VITE TORRO W2 8 -12/7 SCREW-CLAMP TORRO W2 8-12/7 SCHRAUBE-SHELLE TORRO W2 8-12/7 COLLIER A VIS TORRO W2 8-12/7	
11	927322	FASCETTA NASTRO 12-22 TAPE CLAMP 12-22 BANDSCHELLE 12-22 COLLIER POUR BANDE 12-22	
12	926189	TERMOSTATO DI SICUREZZA A CONTATTO (2360 CONTACT SAFETY-THERMOSTAT (REPLACES FORM KONTAKT-SICHERUNGSTHERMOSTAT (236039) THERMOSTAT DE SURETE' A CONTACT (236039)	
13	456002	O-RING PER RESISTENZA BOILER O-RING FOR BOILER RESISTANCE (S6218) O-RING FUER HEIZUNG DES WARMWASSER- BERE O-RING RESISTANCE SURCHAUFFEUR	
14	230117	RESISTENZA BOILER 7600W/400V HEATING ELEMENT 7600W/400V HEIZUNG 7600W/400V RESISTANCE 7600W/400V	
15	467002	PROTEZIONE RESISTENZA BOILER BOILER HEATING ELEMENT PROTECTION HEIZUNGSSCHUETZ DES WARMWASSERBEREITERS PROTECTION RESISTANCE BOILER	
16	143005	TUBO IN GOMMA TELATA 5X12 NERO LINEN RUBBER PIPE 5X12 - BLACK SCHLAUCH AUS LINENGLUMMI 5X12 - SCHWARZ TUYAU EN CAOUTCHOUC LIN 5X12 NOIR	
17	423010	FASCETTA A VITE TORRO W2 8 -12/7 SCREW-CLAMP TORRO W2 8-12/7 SCHRAUBE-SHELLE TORRO W2 8-12/7 COLLIER A VIS TORRO W2 8-12/7	

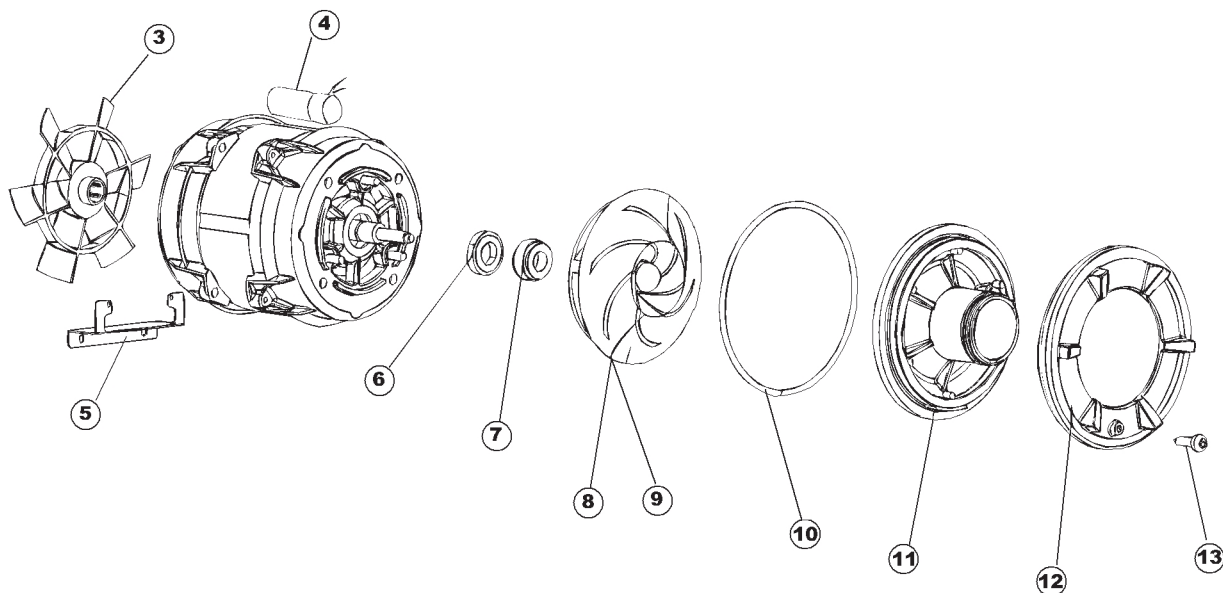
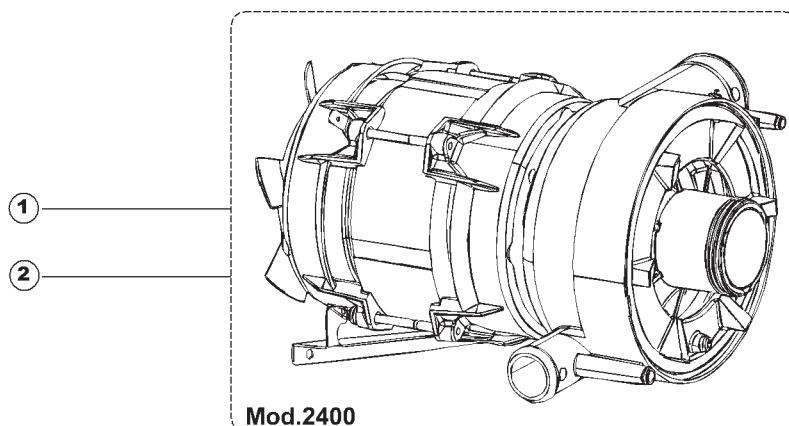
18	H.775601	TUBO 4x6 CRISTAL BLUE (FX NUOVA) BLUE HOSE 4X6 LEITUNG 4x6 CRISTAL BLUE TUYAU 4x6 CRISTAL BLUE	
19	926278	VEDI CODICE 209025 SEE CODE 209025 SIEHE KODE 209025 VOIRE CODE 209025	
20	121075	FILTRO PER POMPA DETERSIVO DETERGENT PUMP FILTER (S6754) SIEB FUER SPUELMITTEL PUMPE FILTRE POUR POMPE DETERGENT	
21	144010	DISPOSIT .A/R.(EB) CON RACCORDO SFIATO AIR GAP TANK - NOT ASSY VORRICHTUNG MIT ENTLUEFTEROHR RESERVOIR AIRGAP - NON COMPLET	
22	240016	ELETTRORVALVOLA PL 3/4 SEMPLICE 230V SENZ SOLENOID VALVE PL 3/4 SIMPLE 230V MAGNETVENTIL PL 3/4 EINFACH 230V SOUPAPE SOLENOIDE PL 3/4 SIMPLE 230V	
23	437041	GUARNIZIONE 3/4 PACKING 3/4 DICHTUNG 3/4 JOINT 3/4	
24	143005	TUBO IN GOMMA TELATA 5X12 NERO LINEN RUBBER PIPE 5X12 - BLACK SCHLAUCH AUS LINENGUMMI 5X12 - SCHWARZ TUYAU EN CAOUTCHOUC LIN 5X12 NOIR	
25	468201	RACCORDO CALZATUBO PER INIEZ.BRILL. CONNECTION ANSCHLUSS RACCORD	
26	468200	RACCORDO ACCIAIO INOX AISI316 1/8" STAINLESS STEEL CONNECTION AISI316 1/8" ANSCHLUSSSTUECK AUS NICHTROSTENDEM STAHL RACCORD EN ACIER INOXYDABLE 1/8"	
27	H.775601	TUBO 4x6 CRISTAL BLUE (FX NUOVA) BLUE HOSE 4X6 LEITUNG 4x6 CRISTAL BLUE TUYAU 4x6 CRISTAL BLUE	
28	121075	FILTRO PER POMPA DETERSIVO DETERGENT PUMP FILTER (S6754) SIEB FUER SPUELMITTEL PUMPE FILTRE POUR POMPE DETERGENT	
29	209023	DOSAT.PERIST.BRILLANTANTE REG. PERISTALTIC DISPENSER PERISTALTJSCHES DOSIERGERAET DOSEUR PERISTALTIQUE	
30	69032	SQUADRA SUPPORTO DOSATORE	



Pagina 6

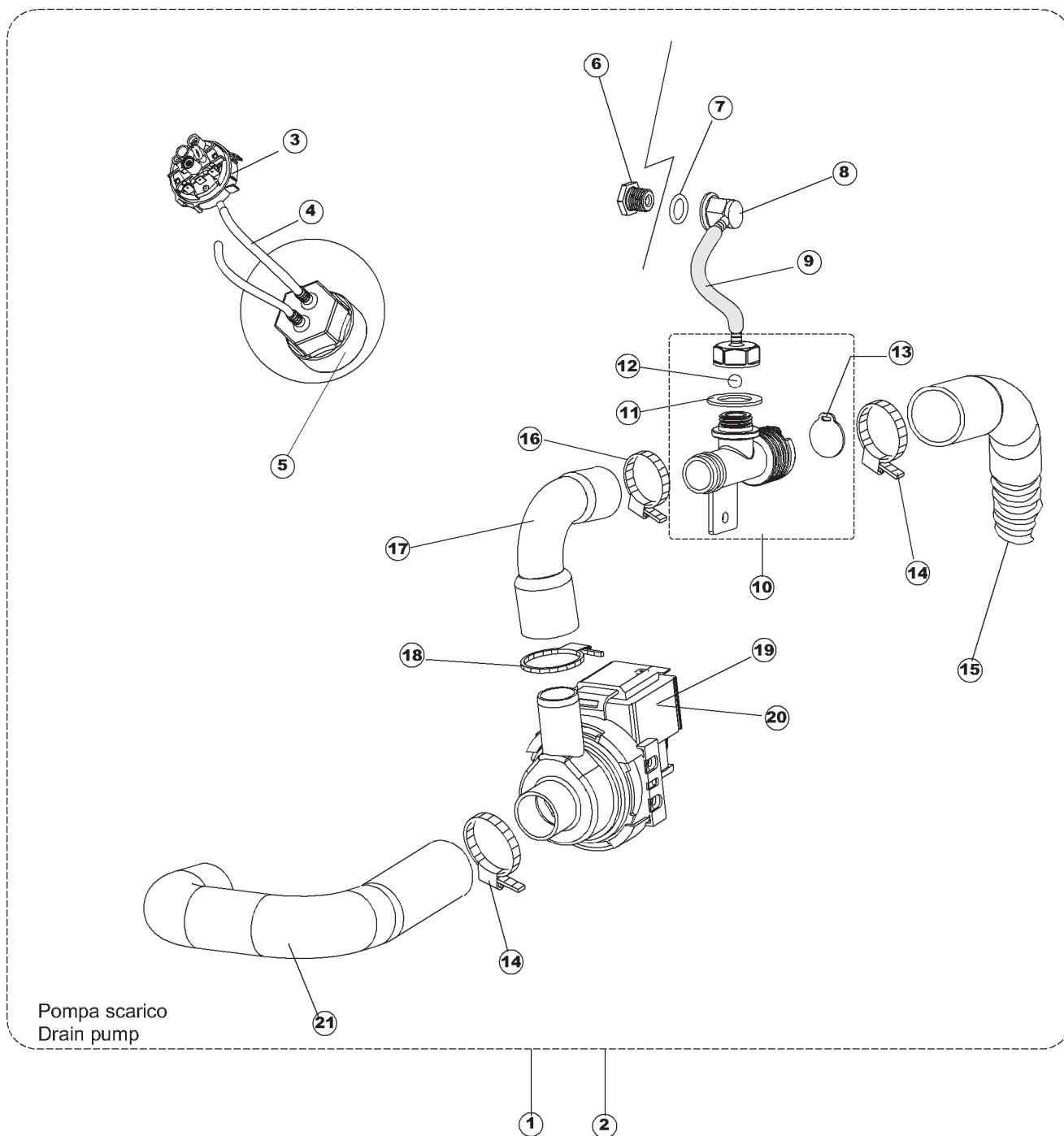
1	80184	ANELLO TENUTA PER SUPP.LAVAGGIO SEALING RING TEILERPLATTE BAGUE	
2	79042	PERNO SUPERIORE LAVAGGIO/RISCIACQUO UPPER PIN C600 OBERZAPFEN C600 PIVOT SUPERIEUR	
3	80380	PERNO LANCIA GIREVOLE REVOLVING ARM SPINDLE DREHARMSPINDEL PIVOT DE TOURNIQUET	
4	69311	PETTINE LAVAGGIO CAPOT WASH ARM SPUELARM BRAS LAVAGE	
5	80370	PETTINE RISCIACQUO RIVER 80/81 RINSE ARM NACHSPUELARM BRAS RINCAGE	
6	80375	TUBO RISC.(2FORI)RIVER 80/81 RINSE PIPE NACHSPUELSCHLAUCH - WASSERSAMMELLEITUNG- TUYAU	
7	412030	FERMO DI SICUR.NOTTOLINO X5 GRIGIO STOPPER SAFETY BLOCK X5 STUTZENEITSVERRIEGELUNG X5 ARRET DE SECURITE X5 GRIS	
8	454005	NOTTOLINO TORNITO D21.5 PIN ZAPFEN PIVOT	
9	129059	CORPO RISCIACQUO X5 RINSE ROTATING ARM X5 VERTEILERSTK. NACHSP.ARM X5 ELEMENT DE BRAS RINCAGE X5	
10	80376	TUBO RISC.(3FORI)RIVER 80/81 RINSE PIPE NACHSPUELSCHLAUCH - WASSERSAMMELLEITUNG- TUYAU	
11	140028	SPRUZZATORE RISCIACQUO RINSE SPRAYER NACHSPUELUNGS-SPRITZER VAPORISATEUR RINCAGE	
12	456060	OR 2025 O-RING 2025 O-RING 2025 JOINT THORIQUE 2025	
13	926132	TAPPO PL.X BRACCIO DI RISC.(DWT312) PLASTIC RINSE ARM CAP ZAPFEN EMBOUT EN PLASTIQUE POUR RAMPE DE RINC.	
14	79044	BOCCOLA X BRACCIO LAVAGGIO INOX C600 WASHING ARM BUSH C600 WASCH-ARME BUCHSE C600 DOUILLE POUR BRAS DE LAVAGE C600	
15	308031	GHIERA BUSSOLA LAVAGGIO X5 WASH LOCKNUT RING ANNEAU	
16	69282	PROLUNGA PERNO	
17	429073	GHIERA FISSA CONDOTTO INF.LA50	

18	437102	GIARNIZIONE CONDOTTO INFER.LA50	
----	--------	---------------------------------	--



Pagina 7

1	69120	ELETTROPOMPA LA50 500W.230/50-1 ELECTROPUMP LA50 500W.230/50-1 ELECKTROPUMPE LA50 500W.230/50-1 ELECTROPOMPE LA50 500W.230/50-1	
2	69120HZ	ELETTROPOMPA MONOFASE 500W 60HZ ELECTROPUMP ELEKTROPUMPE ELECTROPOMPE	
3	335015	VENTOLA POMPA 2400 FAN LUFERRAD VENTILATEUR	
4	206002	CONDENSATORE 10MF POMPA DI SCARICO CAPACITOR 10MF DRAIN PUMP KONDENSATOR 10MF ABFLUSSPUMPE CONDENSEUR 10MF PMPE DE VIDANGE	
6	141008	TENUTA MECCANICA PER POMPA DI LAVAGGIO WASH PUMP SHAFT SEAL FOR GLASSWASHER MECHANISCHE DICHTUNG FUER WASCHPUMPE DER ETANCHEITE' DE LA POMPE DE LAVAGE POUR	
7	141009	TENUTA MECCANICA PER POMPA DI LAVAGGIO WASH PUMP SHAFT SEAL FOR GLASSWASHER MECHANISCHE DICHTUNG FUER WASCHPUMPE DER ETANCHEITE' DE LA POMPE DE LAVAGE POUR	
8	124057	GIRANTE+INSERTO POMPA(2398R) IMPELLER PUMPENFLUEGEL TURBINE	
9	124060	GIRANTE+INSERTO POMPA(2398R)60HZ IMPELLER PUMPENFLUEGEL TURBINE	
10	456078	OR.POMPA(2402R)3.53X170.5 OR.PUMP (2402R)3.53X170.5 TORISCHE DICHTUNG JOINT TORIQUE	
11	480148	TAPPO CHIOCCIOLA POMPA(2397R) PUMP CAP DECKEL PUMPE BOUCHON POMPE	
12	429074	GHIERA FILETTATA POMPA(2399R) NUT RING DOUILLE	
13	486242	VITE 3.5X13 TBC UNI6954(0062R) SCREW 3.5X13 SCHRAUBE 3.5X13 VIS 3.5X13	



Pagina 8

1	69701	KIT POMPA SCARICO (50HZ) DRAIN PUMP KIT KIT FÜR ABLAUFPUMPE KIT POMPE DE VIDANGE	
2	69701HZ	KIT POMPA SCARICO (60HZ) DRAIN PUMP KIT KIT FÜR ABLAUFPUMPE KIT POMPE DE VIDANGE	
3	224023	PRESSOSTATO - 165/140 MAIN PRESSURE SWITCH 165/140 ARBEITSDRUCKWAECHTER 165/140 PRESSOSTAT DE TRAVAIL 165/140	
4	143131	VEDI CODICE 143005 SEE CODE 143005 SIEHE KODE NR. 143005 VOIR CODE 143005	
5	107014	CAMPANA PRESSOSTATO LA50 PRESSURE SWITCH AIR BELL LA50 LUFT-GLOCKE DES DRUCKWAECHTERS LA50 CLOCHE AIR PRESSOSTAT LA50	
6	429076	GHIERA VALVOLA SFIATO PS LA50	
7	456020	GUARNIZIONE OR TRAPPOLA ARIAPRESSOSTATO AIR TRAP OR PACKING FOR PRESSURE SWITCH OR-DICHTUNG DES WINDKESSELS FUER DRUCKWA JOINT "OR" PRISE D'AIR PRESSOSTAT	
8	468029	RACCORDO TRAPPOLA ARIA PRESSOSTATO AIR TRAP CONNECTION OF PRESSURE SWITCH ANSCHLUSSTUECK FUER WINDKESSEL DES DRUCH RACCORD PRISE D'AIR PRESSOSTAT	
9	143013	TUBO IN PVC 4X7 = SPP47 PVC PIPE 4X7 = SPP47 SCHLAUCH AUS PVC 4X7 = SPP47 TUYAU EN PVC 4X7 = SPP47	
10	144995	GRUPPO VALVOLA DI SFIATO X PS LA50 DRAIN PUMP VENT VALVE LA50 LUFTLOCH-VENTIL DER ABFLUSSPUMPE LA50 SOUPAPE DE SOUPIRAL POMPE DE VIDANGE	
11	437083	GUARNIZIONE GOMMA D32D19.5S1.5 GASKET DICHTUNG JOINT	
12	476008	SFEROA VALVOLA LA50. HOST	
13	499092	MEMBRANA VALVOLA SFIATO PS LA50	
14	CFS1	FASCETTA A VITE TORRO 32-50/9-7 SCREW-CLAMP TORRO 32-50/9-7 SCHARUBE-SHELLE TORRO 32-50/9-7 COLLIER A VIS TORRO 32-50/9-7	
15	143252	TUBO SCARICO LA50 DRAIN HOSE ABLAUFLEITUNG TUYAU VIDANGE	
16	423008	FASCETTA A VITE TORRO 25-40/9 SCREW CLAMP TORRO 25-40/9 SCHRAUBE-SHELLE TORRO 25-40/9 COLLIER A VIS TORRO 25-40/9	
17	69071	GOMITO MANDATA POMPA SCARICO INTAKE COUPLING SAUGMUFFE MANCHON D'ASPIRATION	

18	CFS18	FASCETTA A VITE TORRO 20-32/9 CLAMP 20-32/9 SCHELLE COLLIER 20-32/9	
19	80117	ELETTROPOMPA SCARICO 220-240V/50HZ MONOF DRAIN PUMP 240V/50HZ (DPS35-601-04 LA POMPE DE L'ÉGOUT (DPS35-601-043 ELECTROPOMPE DE VIDANGE 240V/50HZ	
20	80117HZ	POMPA DI SCARICO 240/60HZ (DPS35-015) DRAIN PUMP 240/60HZ (DPS35-015) LAUGENPUMPE 240V/60HZ (DPS35-015) POMPE DI VIDANGE 240V/60HZ (DPS5-015)	
21	127087	MANICOTTO GOMMA POMPA SC.LA50 RUBBER COUPLING DRAIN PUMP MUFFE DURITE	