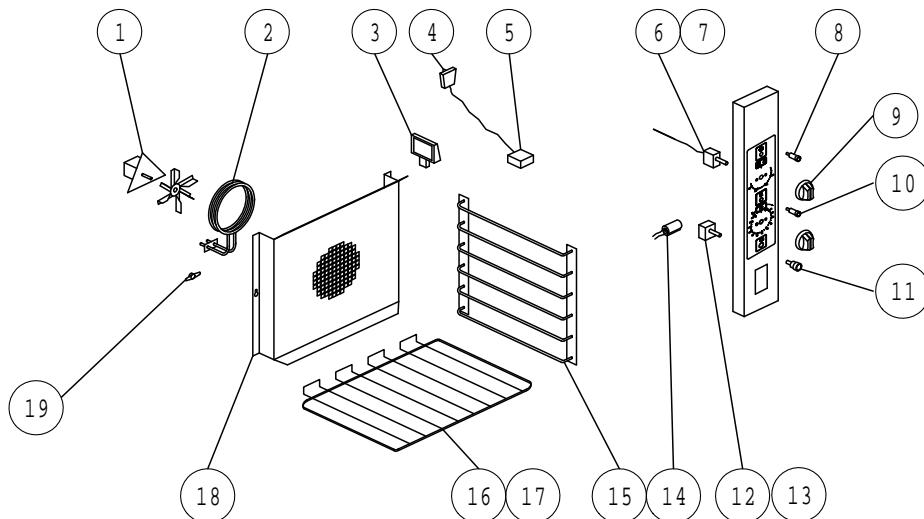
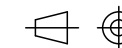


IF IN DOUBT ASK!!

DO NOT SCALE !!

First Angle Projection



No.	Spare Code	Description
1	732910130	Oven Fan
2	732910140	Oven Element
3	732910390	Oven Lamp
4	732910200	Moulded Plug
5	731910390	Terminal Block
6	732910480	Operating Stat
7	732910090	Operating Stat C/W Knob
8	732910485	Red 'Power On' Neon
9	732910420	Control Knob
10	732910490	Amber Neon
11	732910320	Light Switch
12	732910414	Timer
13	732910495	Timer C/W Knob
14	732910417	Buzzer
15	732910160	Shelf Hanger
16	732910330	Shelf (Heavy Duty)
17	732910340	Shelf (Cranked)
18	732910150	Back Baffle
19	732910407	Safety Limiter

All dimensions in millimetres, Tolerance- Linear  $\pm 0.5\text{mm}$  Angular  $\pm 0.5^\circ$  (or as stated). All sharp edges to be removed from sheet metal parts.

CLEARED FOR PRODUCTION					
A	5092	PRODUCTION ISSUE		DJT	02/03/04
Issue	Mod No.	Alteration	Zone	Drawn by	Date



This part is common to the following units

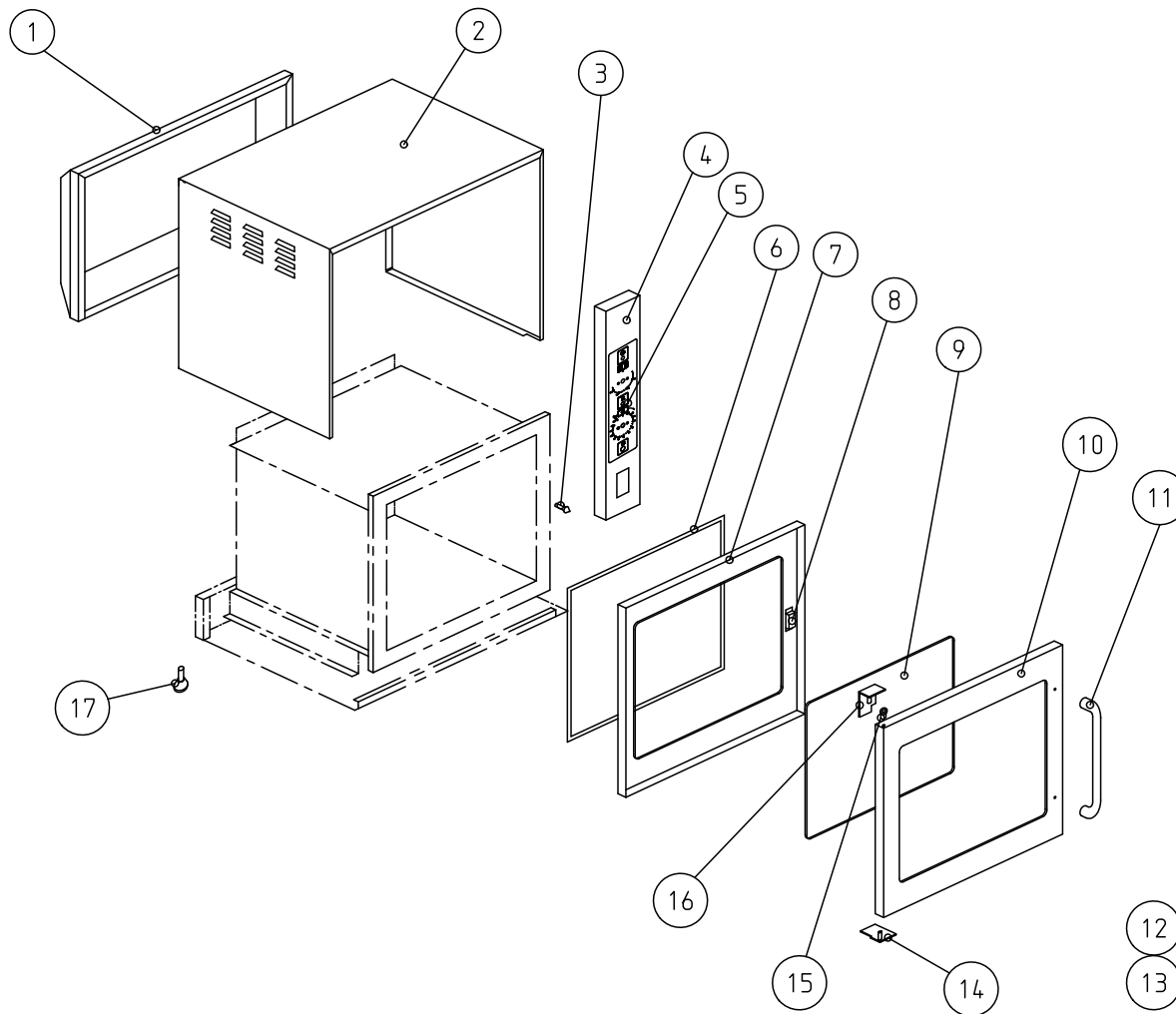
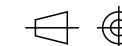
© No reproduction or publication of this drawing may be made and no article may be manufactured or assembled in accordance with this drawing without prior written consent. This prohibition is a term of any contract relating to this drawing. Rights reserved under the Copyright Act 1956 as amended by the Design Copyright Act 1968.

Drawn	DAN THORNTON	Product	E7202 CONVECTION OVEN	
Date	02/03/04	Title	SPARES DIAGRAM - CONTROLS	
Scale	-	Matl.	-	Drawing Number
		No. off	-	Issue
		Bin No.	RZZ291	Kraus No.
			AB42392	A

IF IN DOUBT ASK!!

DO NOT SCALE !!

First Angle Projection



No	Spares Code	Description
1	732910220	RH Back Panel Pre 04/04
1	732910430	LH Back Panel Pre 04/04
1	732910500	Back Panel Post 04/04
2	732910180	RH Outer Cover Pre 04/04
2	732910435	LH Outer Cover Pre 04/04
2	732910501	Outer Cover Post 04/04
3	731910670	Door Keeper Stud
4	732910310	RH Control Panel Assy Pre 04/04
4	732910440	LH Control Panel Assy Pre 04/04
4	732910445	RH Control Panel Assy Post 04/04
4	732910450	LH Control Panel Assy Post 04/04
5	732910421	RH Control Panel Decal Pre 04/04
5	732910455	LH Control Panel Decal Pre 04/04
5	732910460	Control Panel Decal Post 04/04
6	732910000	Door Seal
7	732910030	Inner Door Panel c/w Glass
8	731910370	Door Catch
9	732910403	Door Glass
10	732910020	Outer Door Panel c/w Glass
11	732910050	Door Handle
12	732910361	Glass Door Assy
13	732910475	S/S Door Assy
14	732910070	RH Bottom Door Hinge
14	732910465	LH Bottom Door Hinge
15	732910040	Door Hinge Bush
16	732910060	RH Top Door Hinge
16	732910470	LH Top Door Hinge
17	731910150	Foot

12 GLASS DOOR ASSY  
13 S/S DOOR ASSY

All dimensions in millimetres, Tolerance- Linear  $\pm 0.5\text{mm}$  Angular  $\pm 0.5^\circ$  (or as stated). All sharp edges to be removed from sheet metal parts.

**CLEARED FOR PRODUCTION**



Drawn <b>DAN THORNTON</b> Product <b>E7202 CONVECTION OVENS</b>					
Date <b>01/03/04</b> Title <b>SPARES DIAGRAM - FITMENTS</b>					
Scale <b>-</b>					
Issue <b>A</b> Mod No. <b>5092</b> Alteration <b>PRODUCTION ISSUE</b>			Zone <b>DJT</b> Drawn by <b>DJT</b> Date <b>01/03/04</b>		Drawing Number <b>AB42391</b> Issue <b>A</b>
No. off <b>-</b> Finish <b>-</b>					
Bin No. <b>RZZ291</b> Kraus No. <b>-</b>					

© No reproduction or publication of this drawing may be made and no article may be manufactured or assembled in accordance with this drawing without prior written consent. This prohibition is a term of any contract relating to this drawing. Rights reserved under the Copyright Act 1956 as amended by the Design Copyright Act 1968.

This part is common to the following units