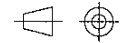


IF IN DOUBT ASK!!

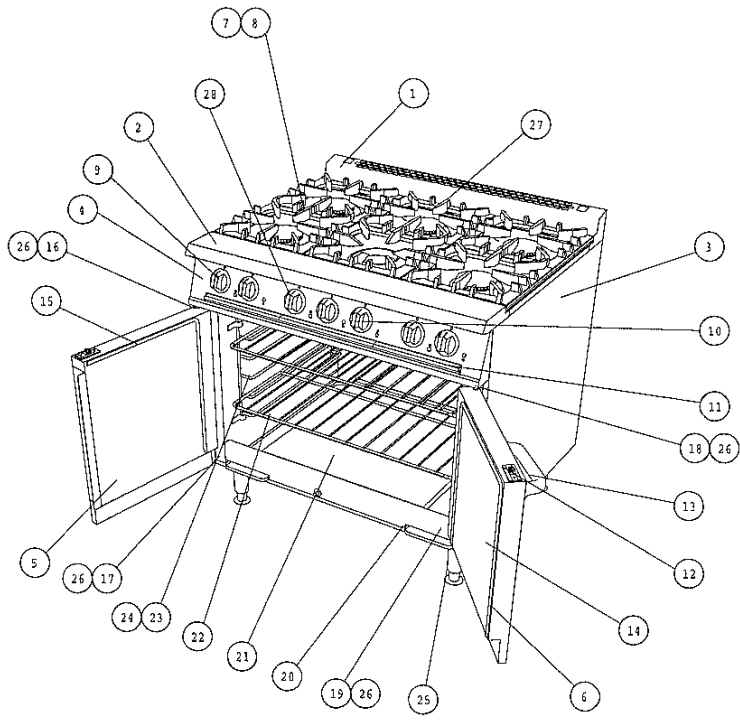
DO NOT SCALE !!

First Angle Projection



G2151 OT FITMENTS

Part No	Spares No	Description
1	535480046	Rear hob rail
2	535480047	Front hob rail
3	535480048	Outer Side Panel
4	535480049	Control panel
5	535480050	L/H Door assy
6	535480051	R/H Door assy
7	535400130	Pan Support Outside (Paint)
8	535400140	Pan Support Outside (Enamel)
9	535400010	Control Knob (hob)
10	535480052	Control Knob (Oven)
11	535520013	Hob Drip Tray
12	535480054	Door Catch
13	535480055	Door Handle
14	535480056	Door seal -RH
15	535480057	Door seal -LH
16	535480058	Top door hinge -LH
17	535480059	Bottom door hinge -LH
18	535480060	Top door hinge -RH
19	535480061	Bottom door hinge -RH
20	535480062	Oven Drip tray
21	535480063	Oven bottom plate
22	535480064	Oven Shelf
23	535480065	Oven Shelf hanger
24	535480066	Oven Shelf Hanger bracket
25	535480067	Adjustable Leg
26	535480077	Door hinge bush
27	535520014	Pan Support Ctr (Paint)
28	535520012	Control Knob (Wok)



All Dimensions in millimetres, Tolerance- Linear $\pm 0.5\text{mm}$ Angular $\pm 0.5^\circ$ (or as stated)

B	5025	BIN No. WAS RZZ331		DJT	23/01/03
A	4844	PRODUCTION ISSUE		DJT	23/01/03
G	Issue	Mod No.	Alteration	Zone	Drawn by
					Date



This part is common to the following units

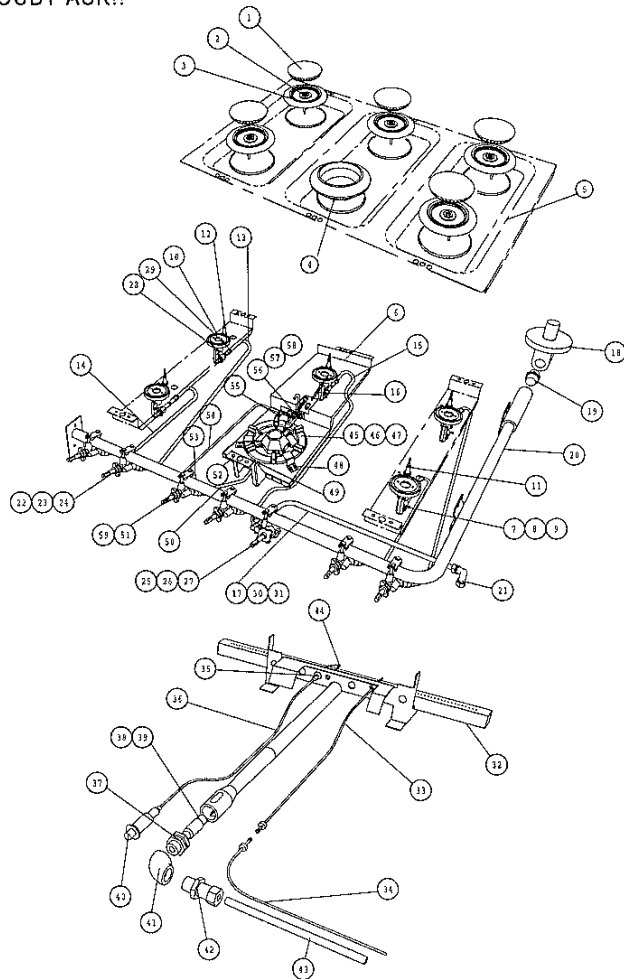
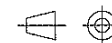
© No reproduction or publication of this drawing may be made and no article may be manufactured or assembled in accordance with this drawing without prior written consent. This prohibition is a term of any contract relating to this drawing. Rights reserved under the Copyright Act 1956 as amended by the Design Copyright Act 1988.

Drawn	DAN THORNTON	Product	G2151 OT RANGE	
Date	23/01/03	Title	G2151 OT FITMENTS SPARES INFO	
Scale	N.T.S			
Mat.		Drawing Number	AA41020	Issue
No. off		Finish		B
Bin No.		Kraus No.	T100416	

Falcon Foodservice Equipment. Wallace View Hillfoots Road Stirling Scotland

IF IN DOUBT ASK!!

DO NOT SCALE !!
First Angle Projection



G2151 OT CONTROLS

Part No	Spares No	Description			
1	535480006	Burner Cap	30	535480029	Olive for Tstat
2	535400070	Burner Venturi	31	535480030	Tube nut for Tstat
3	535400060	Burner Base	32	535480031	Oven burner
4	535520003	Burner Ring	33	535400180	Oven Thermocouple
5	535400150	Hob Panel	34	535400120	Extension Thermocouple
6	535520000	Wok Burner Support	35	535480033	Oven ignition electrode
7	535400090	injector holder c/w Nat inj(boost)	36	535480034	Oven ignition lead
8	535480009	OT Boost injector (Nat) 1.95	37	535480035	Injector adaptor
9	535480010	OT Boost injector (Prop) 1.2	38	535480036	Oven burner injector (Nat) 2.3
10	535400100	Lock Nut - injector holder	39	535480037	Oven burner injector (Prop)
11	535480011	OT Thermocouple - Short	40	535480040	Oven igniter
12	535480012	OT Thermocouple - Long	41	535480041	Elbow for Injector adaptor
13	535400050	Burner pipe - Rear outer	42	535480042	Oven pipe coupling
14	535400040	Burner pipe - Front outer	43	535480043	Oven bottom feed pipe
15	535520008	Burner pipe -Rear middle	44	535480045	Oven Earthing pin
16	535520007	Thermocouple	45	535520002	Wok Burner c/w ng Jets
17	535480013	Oven top feed pipe	46	535520020	Wok Burner Injector NG
18	535480015	Governor	47	535520018	Wok Burner Injector LP
19	535480016	"3/4" Pitting"	48	535520004	Wok Burner Bkt
20	535480017	Float rail	49	535520021	1/4" x 8mm Burner Coupling
21	535480019	Oven feed pipe elbow	50	535520009	Wok Burner - Tap Pipe
22	535480020	Open top burner control	51	535520011	Wok Burner Tap - NG
23	535480021	Nat gas by-pass Screw 0.84	52	535520001	Wok Burner Support Bkt
24	535480022	Propane by-pass screw 0.5	53	535520022	M8 Splitnut
25	535400110	Oven Thermostat	54	535520010	Wok Pilot - Tap Pipe
26	535480023	Nat gas by-pass Screw 0.85	55	535520006	Wok Pilot Bkt
27	535480024	Propane by-pass screw 0.55	56	535520005	Wok Pilot Assy - NG
28	535480027	Olive for tap pipes	57	535520019	Wok Pilot Injector - NG
29	535480028	Tube nut for tap/injector holder	58	535520017	Wok Pilot Injector - Prop
			59	535520028	Wok Burner Tap - Prop

All Dimensions in millimetres, Tolerance- Linear $\pm 0.5\text{mm}$ Angular $\pm 0.5^\circ$ (or as stated)

C	4907	PROP TAP ADDED - NO.59	DJT	05/03/04	
B	5025	BIN No. WAS RZZ331	DJT	13/10/03	
A	4844	PRODUCTION ISSUE	DJT	23/01/03	
Issue	Mod No.	Alteration	Zone	Drawn by	Date



This part is common to the following units

© No reproduction or publication of this drawing may be made and no article may be manufactured or assembled in accordance with this drawing without prior written consent. This prohibition is a term of any contract relating to this drawing. Rights reserved under the Copyright Act 1956 as amended by the Design Copyright Act 1968.

Drawn	DAN THORNTON	Product	G2151 OT RANGE	
Date	23/01/03	Title	G2151 OT C/W WOK BURNER CONTROLS SPARES INFO	
Scale	N.T.S			
Matl.		Drawing Number		Issue
No. off		Finish	UNCONTROLLED	
Bin No.		Kraus No.	T100416	AA41019

Falcon Foodservice Equipment. Wallace View Hillfoots Road Stirling Scotland