



**VM 1700**

# LIST OF THE EXPLODED VIEWS



*SHELL ASSY*

*COOLING SYSTEM*

*HYDRAULIC CIRCUIT*

*SPRAYER PUMP*

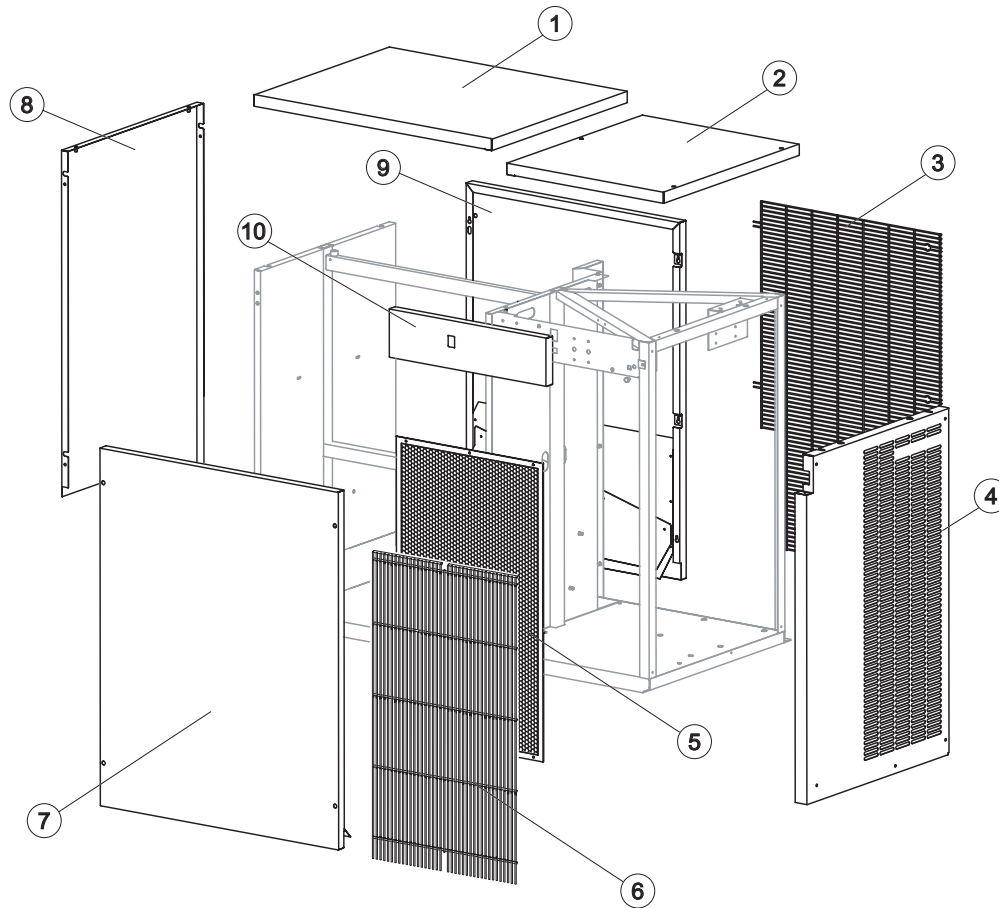
*ELECTRIC PARTS*

Rev. 0 - 14/04/2006



# VM 1700

## SHELL ASSY

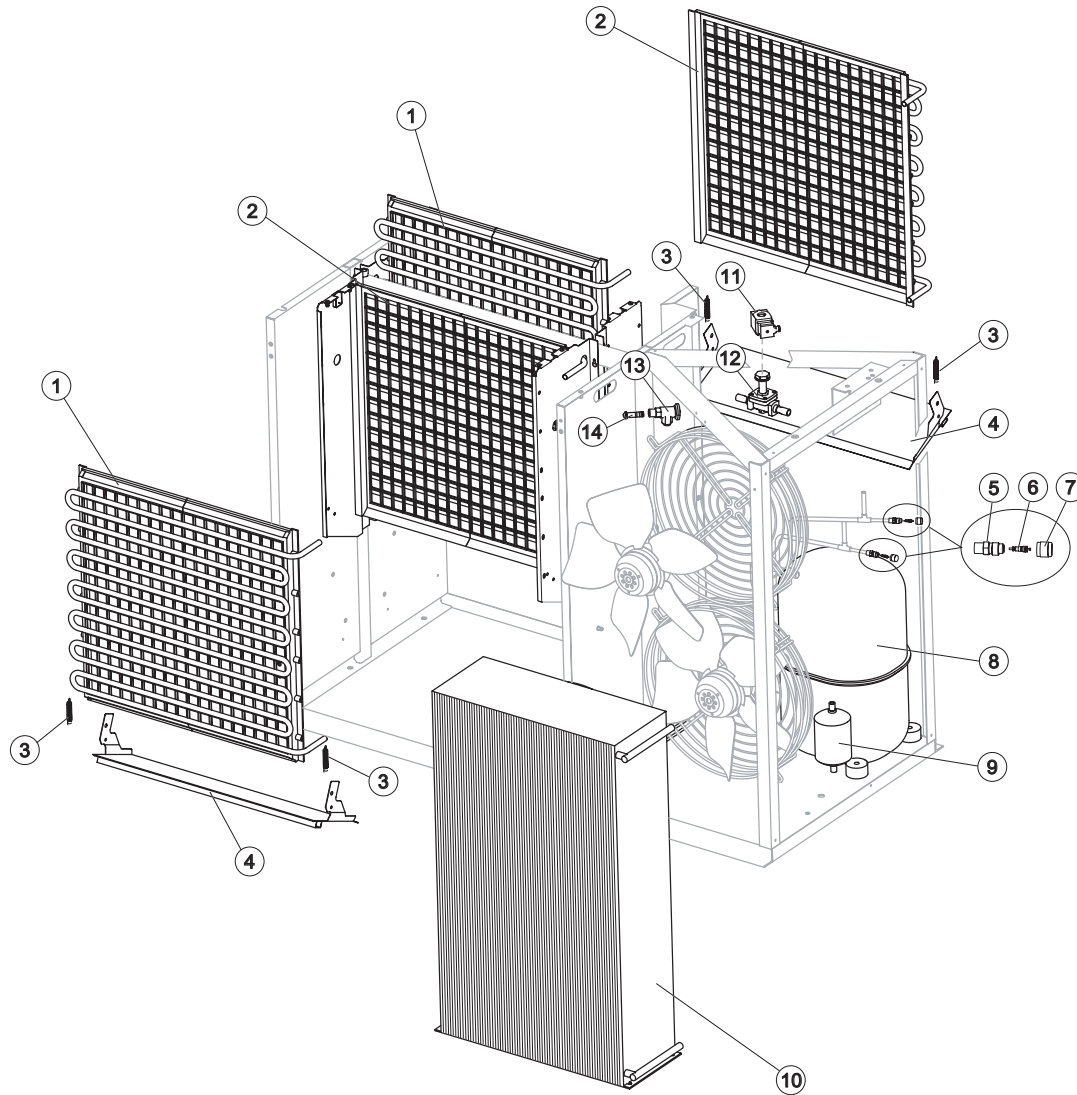


Ref.	Spare Description	Code
1	Top-Evaporator Side	C22371
2	Top-Condenser Side	22370
3	Rear Grid	12077
4	Right Side Panel	22364
5	Filter	18192
6	Front Grid	12079
7	Front Panel Assembly	C22368
8	Left Side Panel	22366
9	Rear Panel Assembly	C22367
10	Electrical Box Cover Panel	22623

Rev. 0 - 14/04/2006



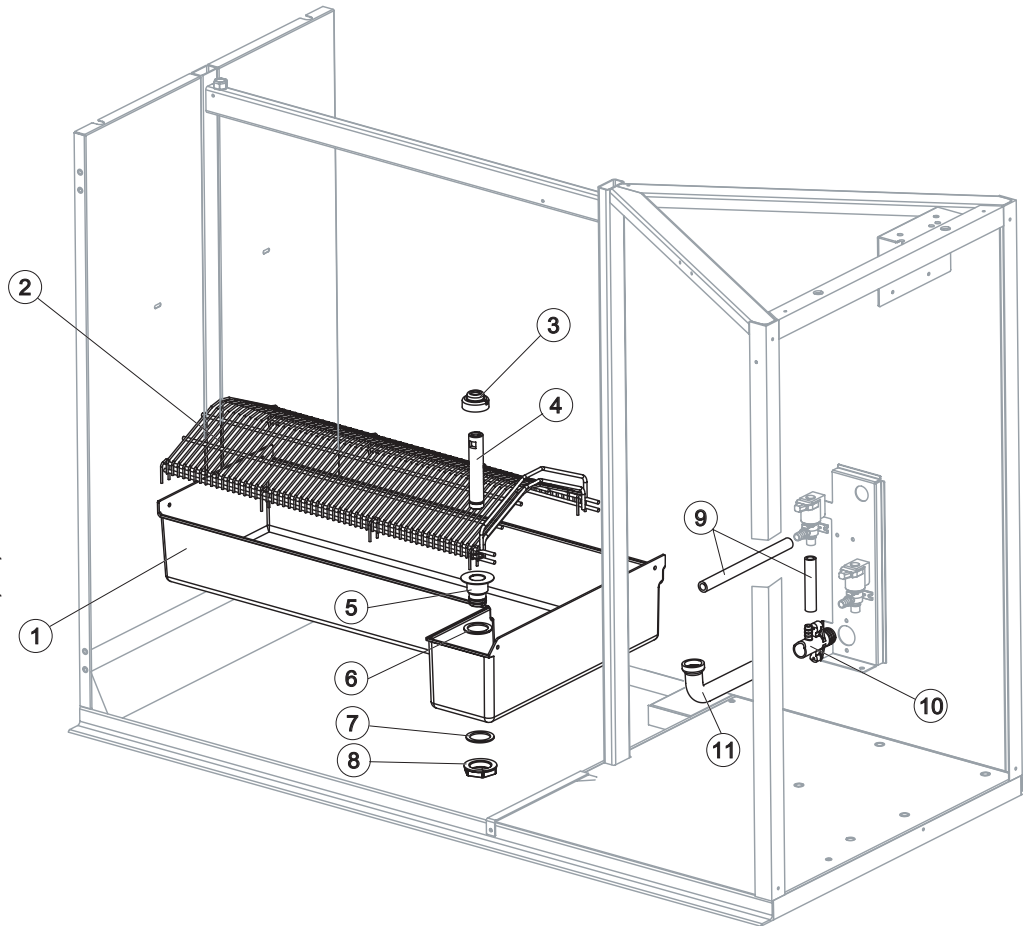
Rev. 0 - 14/04/2006



Ref.	Spare Description	Code
1	Evaporator (Front)	D10504
2	Evaporator (Back)	D10505
3	Spring	20464
4	Horizontally Hinged Panel	22385
5	Vacuum-Charge Valve Body	14007
6	Vacuum-Charge Valve Device	14005
7	Vacuum-Charge Valve Plug	14006
8	Compressor	See Table
9	Solid Filter	14255
10	Air Condenser	20830
11	Hot Gas Valve Coil	23091
12	Hot Gas Valve Body	20832
13	Expansion Valve	20826
14	Orifice	20794

### Ref. 8 - Compressor

Voltage	Code
400-415V 3N~ 50 Hz	23817
220/230V 3~ 60 Hz	23824



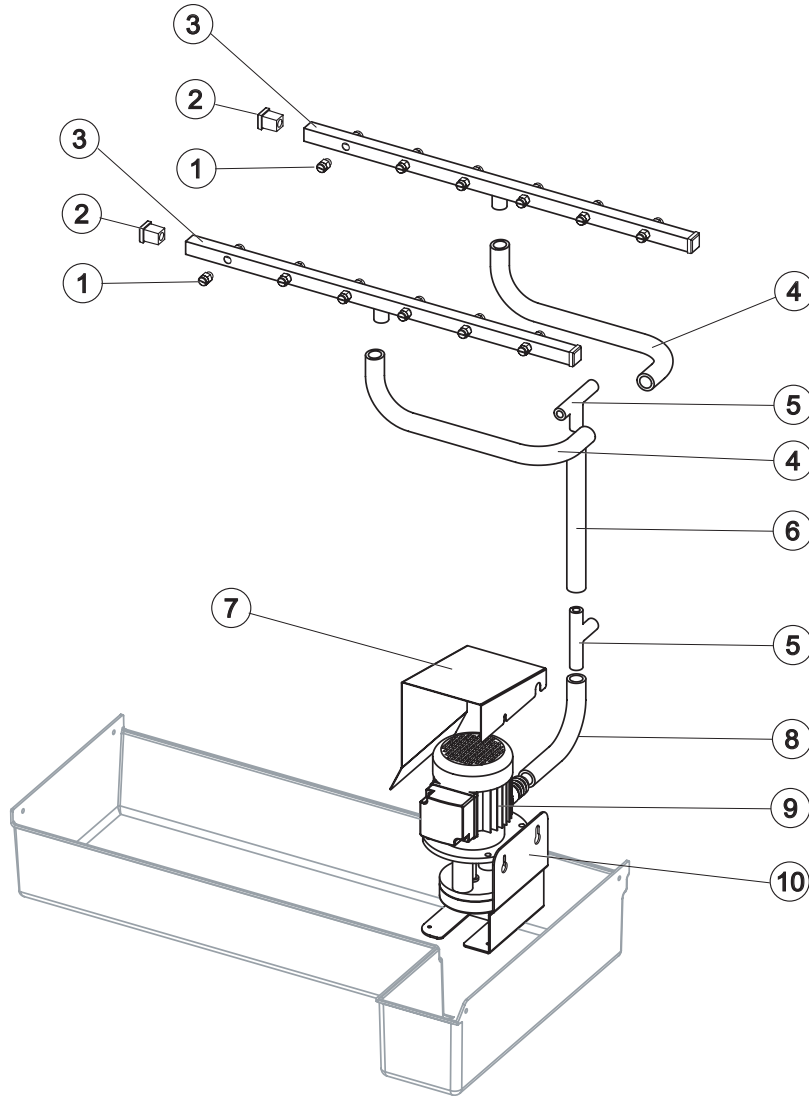
Rev. 0 - 14/04/2006

Ref.	Spare Description	Code
1	Water Basin	10501
2	Ice Cubes Slide	D12078
3	Overflow Cap	10305
4	Overflow Pipe	10399
5	Overflow Pipe Nipple	10472
6	Silicone Gasket	13006
7	Semirigid Polyethylene Gasket	13007
8	Bin Discharge Nut	10096
9	Connection Pipe	13102
10	Discharge Nipple	10431
11	Basin Discharge Pipe	13059



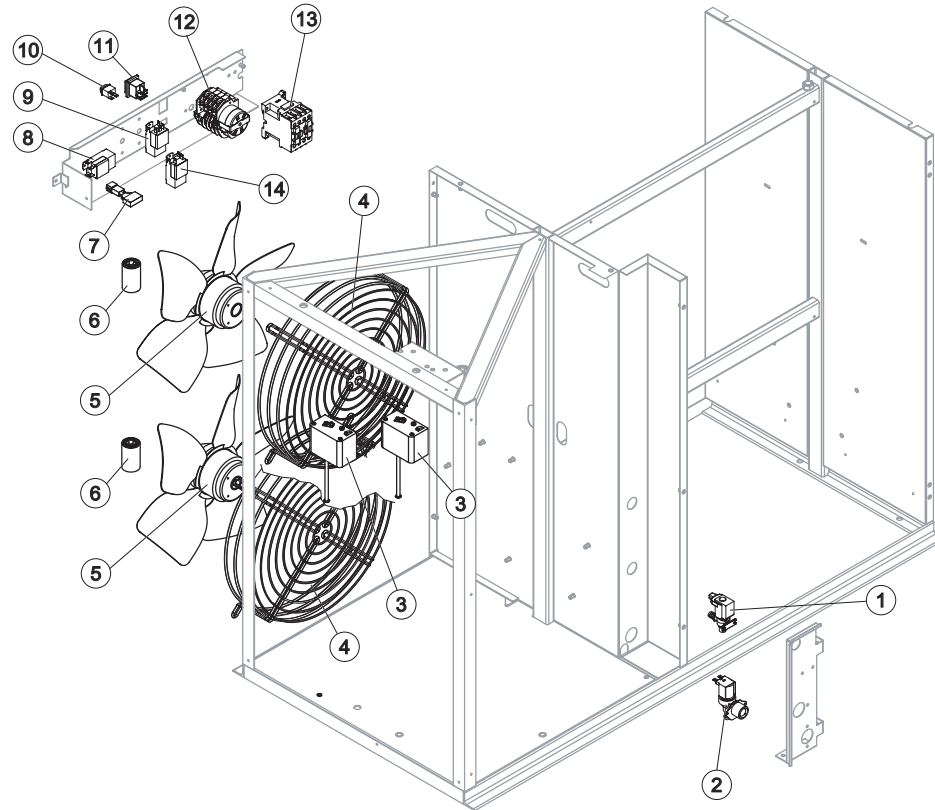
# VM 1700

## SPRAYER PUMP



Ref.	Spare Description	Code
1	Sprayer	D20463
2	Sprayer Bar Plug	10012
3	Sprayer Bar Assembly	C20617
4	Sprayer Bar Connection Pipe	13134
5	Plastic "T" Joint - 20	10082
6	Connection Pipe	13111
7	Pump Protection Panel	22377
8	Connection Pipe	13005
9	Pump	23818
10	Pump Motor Support	22383

Rev. 0 - 14/04/2006



Ref.	Spare Description	Code	
1	Water Outlet Valve	23537	
2	1 Way-Water Inlet Valve	23819	
3	Safety Pressure Switch	23729	
4	Fan Motor Grid	12053	
5	Fan Motor	23468	
6	5 $\mu$ F Capacitor	23469	
7	Anti Radio Interference Filter	Only400-415V 3N~ 50Hz	C23459
8	Condenser Pressure Switch	23175	
9	Evaporator Thermostat	R23591	
10	ìCleaningî Switch	23619	
11	Green Light Switch (On-Off)	23327	
12	Timer	See Table	-
13	Contactora	23398	
14	Bin Thermostat	R23005	

### Ref. 12 - Timer

Tension	Code
400-415V 3N~ 50 Hz	23635
220/230V 3~ 60 Hz	23632