

* = Recommended Spare Parts

Type : CB 2x40, CB1x40 L/R, CB 40
 Artikel : 10750, 10755, 10760, 10765

From mach. nr. : 1O 0001
 Date : 01-2006

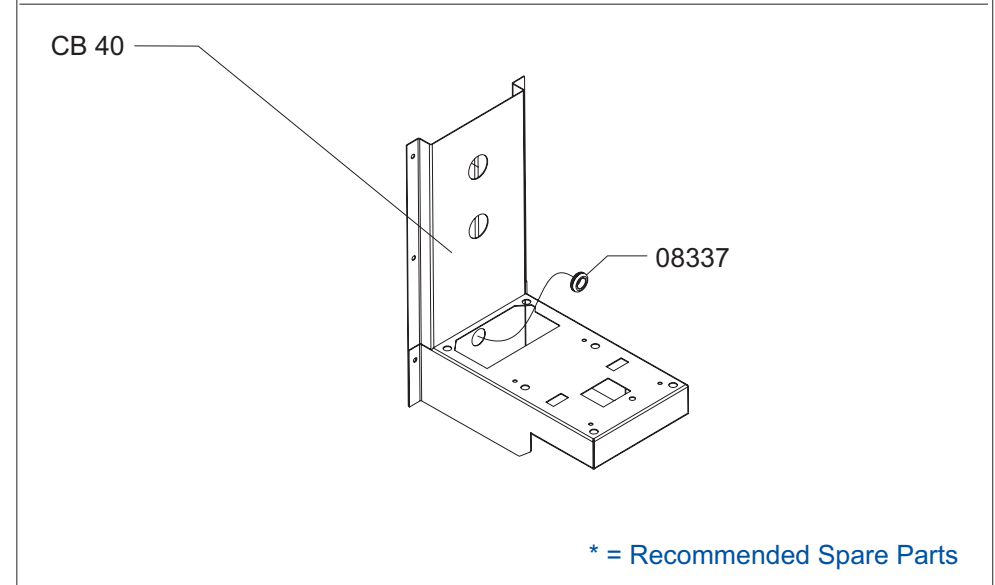
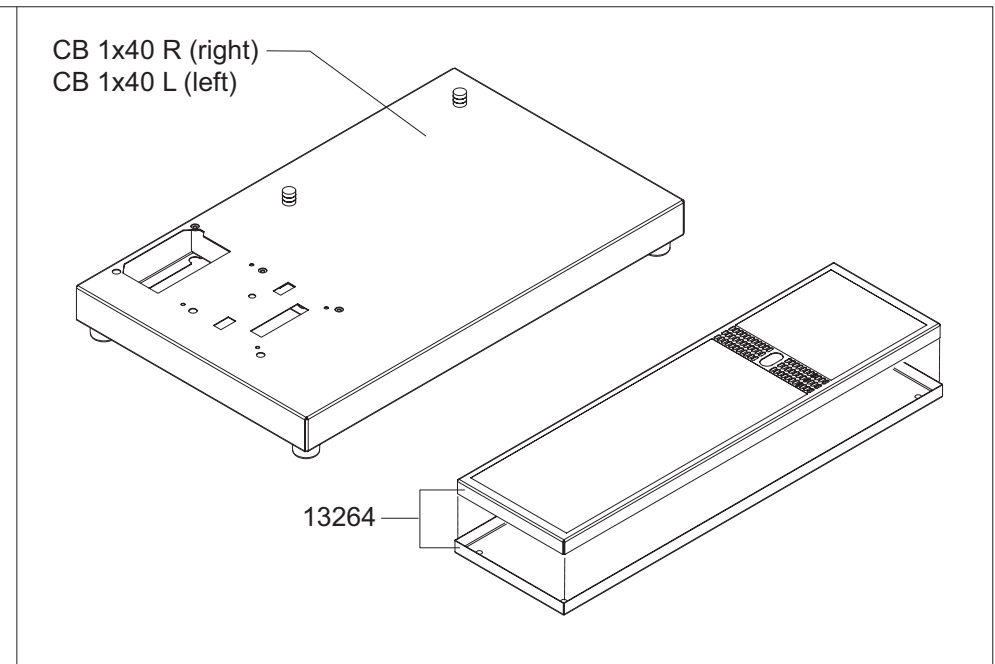
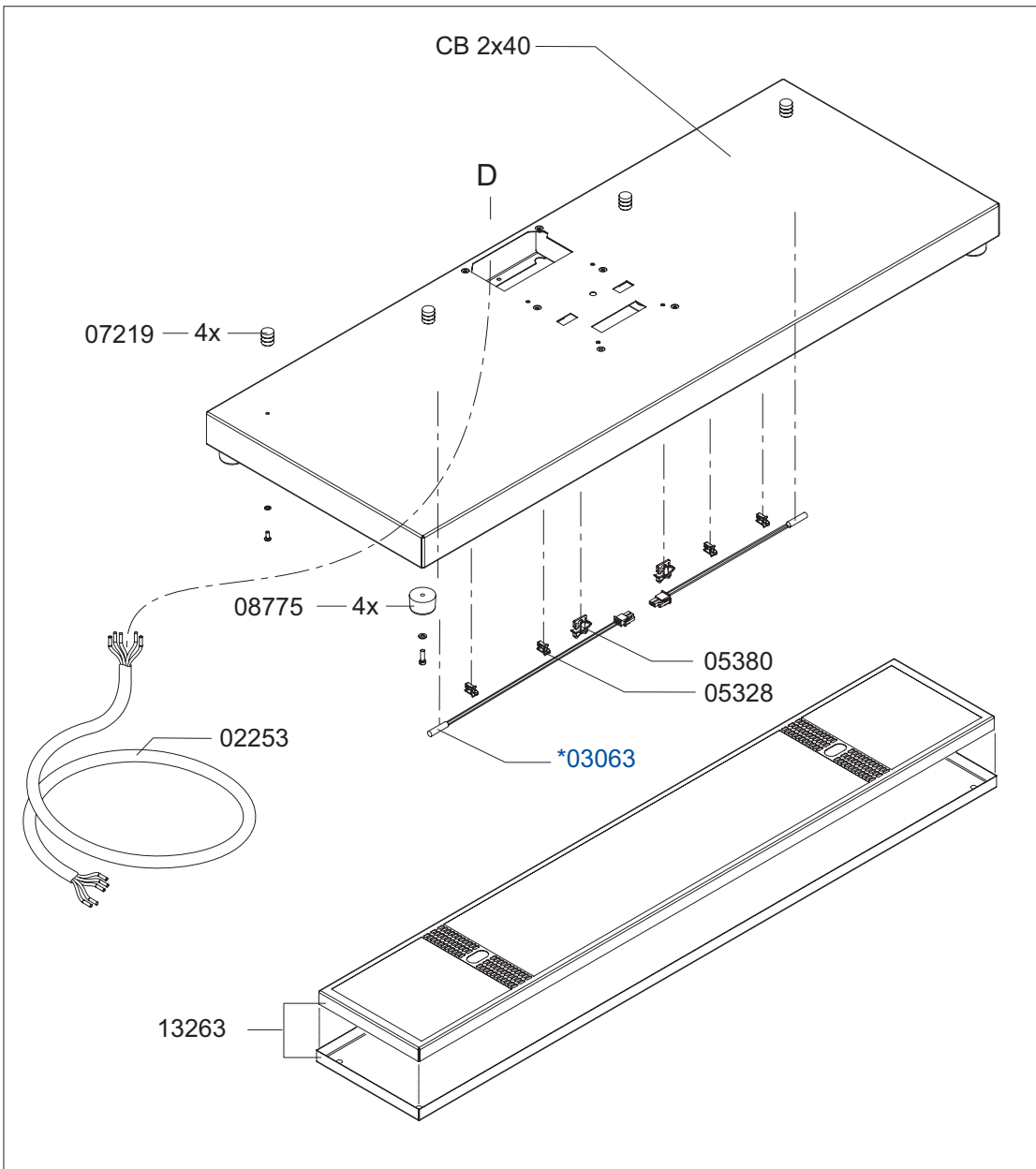
Page : 1-4
 Rev. : 0

Drawer: MT
 Date : 03-04-2006

Rated voltage : 3N~380-415V 50-60Hz 18.200W

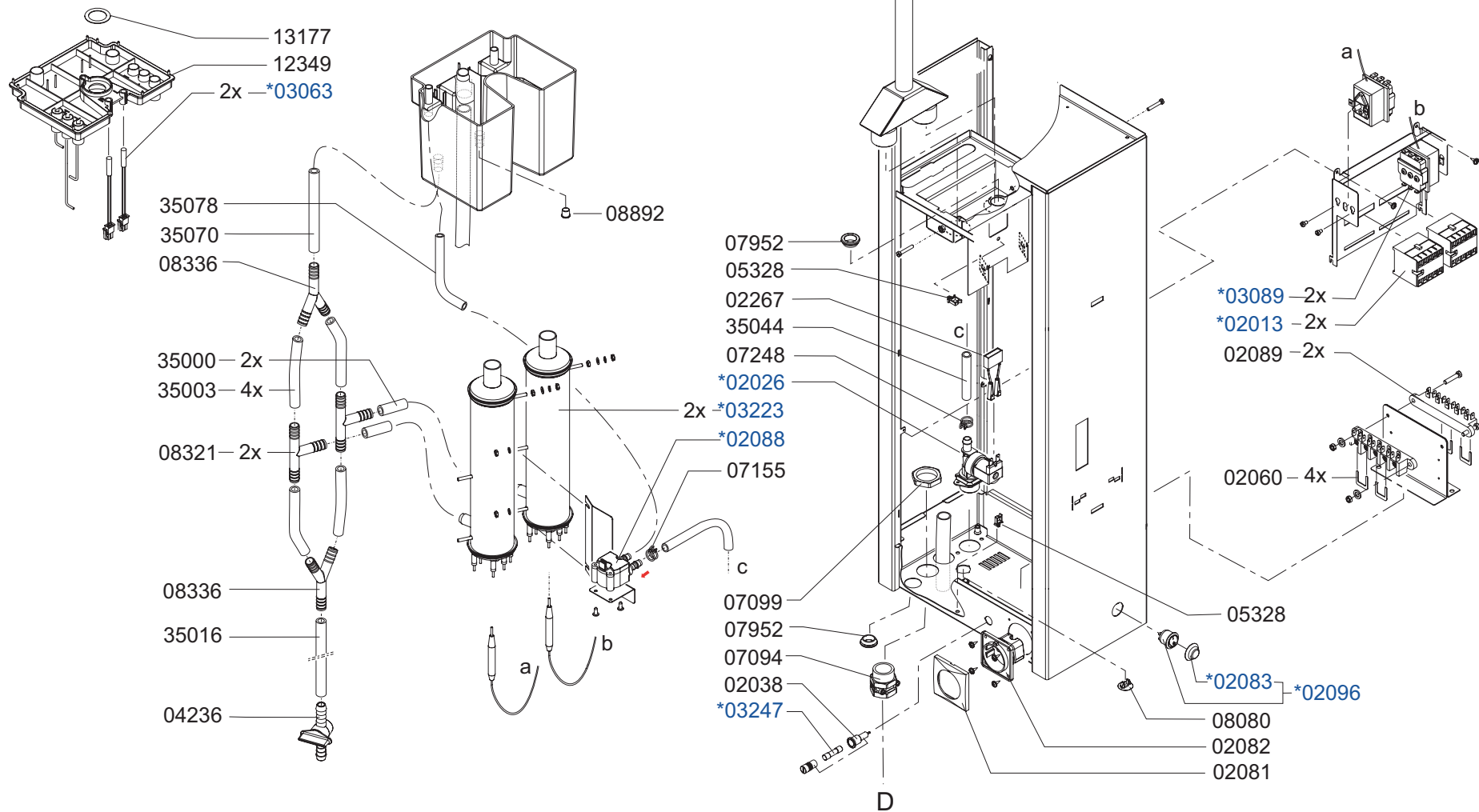
Spare Parts Info

***** **Animo** *****
Assen - Holland



* = Recommended Spare Parts

| | | | | | | | |
|---------------|-------------------------------|-------------------------|------------|--|-------|---------|--------------|
| Type | : CB 2x40, CB1x40 L/R, CB 40 | From mach. nr. | : 1P 00244 | Page | : 2-4 | Drawer: | MT |
| Artikel | : 10750, 10755, 10760, 10765 | Date | : 01-2006 | Rev. | : 0 | Date | : 03-04-2006 |
| Rated voltage | : 3N~380-415V 50-60Hz 18.200W | Spare Parts Info | | ***** Animo ***** Assen - Holland | | | |



* = Recommended Spare Parts

Type : CB 2x40, CB1x40 L/R, CB 40
 Artikel : 10750, 10755, 10760, 10765

From mach. nr. : 1P 00244
 Date : 01-2006

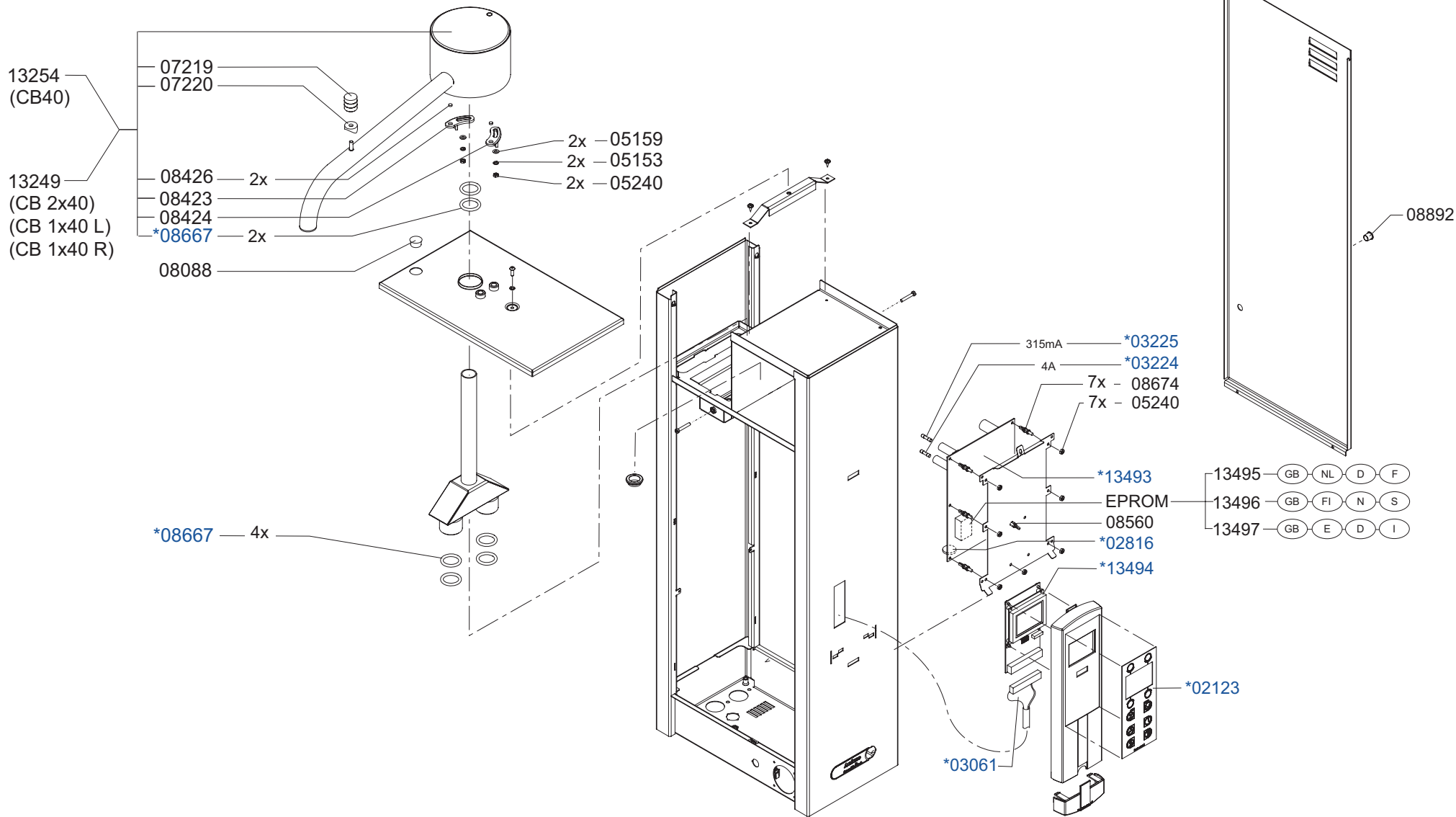
Page : 3-4
 Rev. : 0

Drawer: MT
 Date : 03-04-2006

Rated voltage : 3N~380-415V 50-60Hz 18.200W

Spare Parts Info

***** **Animo** *****
Assen - Holland



* = Recommended Spare Parts

Type : CB 2x40, CB1x40 L/R, CB 40
 Artikel : 10750, 10755, 10760, 10765

From mach. nr. : 1P 00244
 Date : 01-2006

Page : 3-4
 Rev. : 0

Drawer: MT
 Date : 03-04-2006

Rated voltage : 3N~380-415V 50-60Hz 18.200W

Spare Parts Info

***** **Animo** *****
Assen - Holland