

"A"

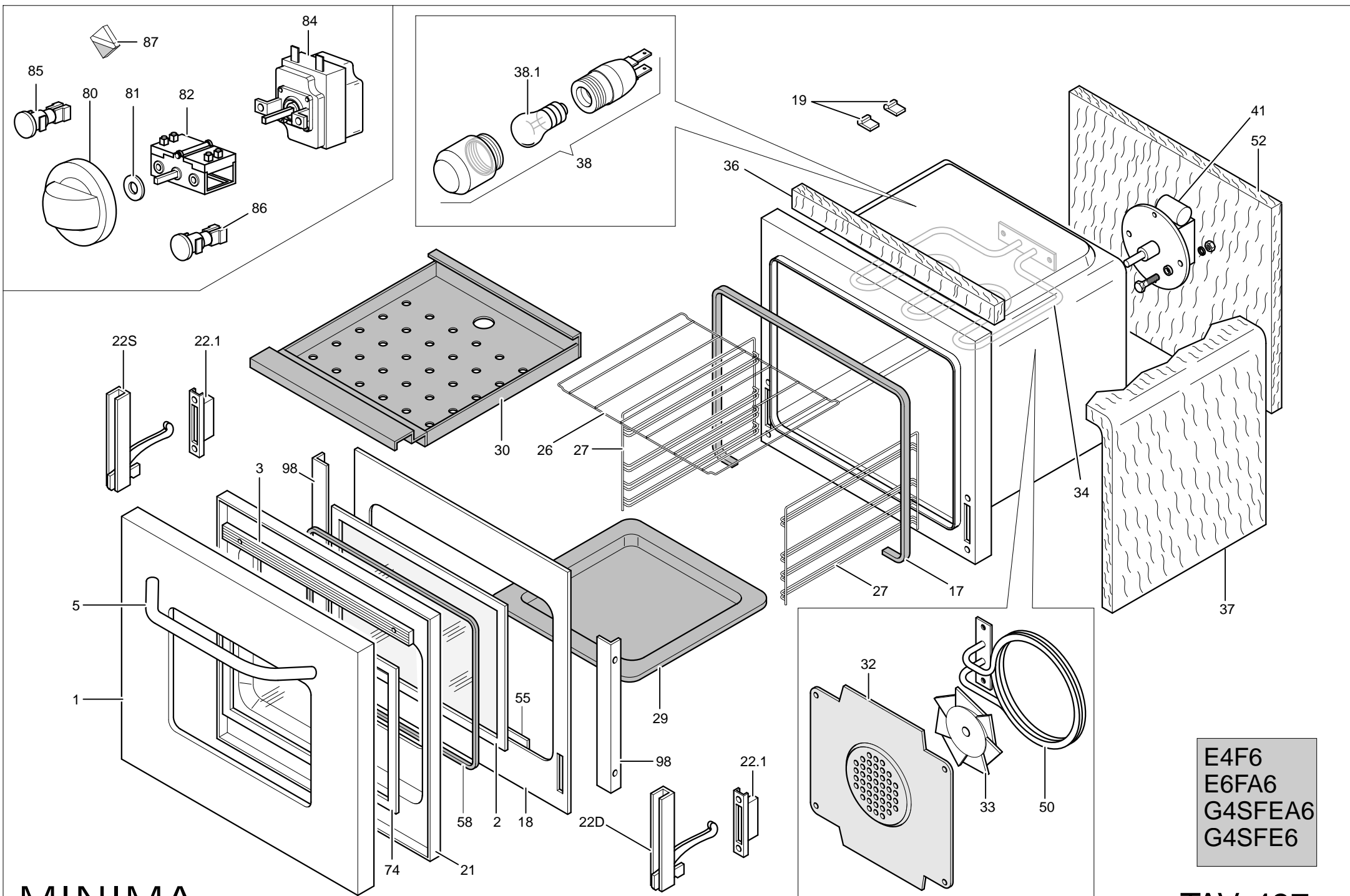
A

MINIMA

E4F6

TAV. 441

|                 |    |            |                              |                                 |                             |                                   |
|-----------------|----|------------|------------------------------|---------------------------------|-----------------------------|-----------------------------------|
| MINIMA TAV. 441 | 1  | RTCU700292 | MARCHIO MBM                  | MARQUE MBM                      | MBM MARK                    | MARK MBM                          |
| MINIMA TAV. 441 | 2  | PACU600338 | CRUSCOTTO E4F6               | PANNEAU DE CONTRÔLE E4F6        | CONTROL PANEL E4F6          | STIRNBRETT E4F6                   |
| MINIMA TAV. 441 | 3  | PACU600002 | FIANCO SX                    | CÔTÉ GAUCHE                     | LEFT SIDE                   | RECHTE SEITE                      |
| MINIMA TAV. 441 | 4  | RTCU800185 | GUARN. ASTA COMM.            | JOINT TIGE COMMUTATEUR          | SWITCH ROD GASKET           | DICHTUNG STAB UMSCHALTER          |
| MINIMA TAV. 441 | 5  | GACU600112 | CAMINETTO                    | CHEMINÉE                        | CHIMNEY                     | SCHORNSTEIN                       |
| MINIMA TAV. 441 | 6  | PACU600054 | POSTERIORE INOX              | PANNEAU POSTÉRIEURE INOX        | STAINLESS STEEL BACK PANEL  | INOX-RÜCKWAND                     |
| MINIMA TAV. 441 | 7  | RTBF700021 | PASSACAPO PG16+DADO 53015140 | PASSE-CABLE PG16+ECROU 53015140 | FAIRLEAD PG16+NUT 53015140  | KABELFÜHRUNG PG16 MUTTER 53015140 |
| MINIMA TAV. 441 | 8  | PACU600117 | PLACCA E46                   | PLAN DE CUISSON E46             | WORK PLANE E46              | PLATTE E46                        |
| MINIMA TAV. 441 | 9  | RTCU700084 | COPERCHIO D.145              | COUVERCLE D.145                 | COVER D.145                 | BECKENABDECKUNG D.145             |
| MINIMA TAV. 441 | 10 | RTCU700293 | RIFERIMENTO FUOCHI           | RÉFÉRENCE DE LES FEUX           | REFERENCE FIRES             | HINWEIS-FEUER                     |
| MINIMA TAV. 441 | 11 | RTCU700087 | PIASTRA EL. 1,5 KW           | PLAQUE ÉLECTRIQUE 1500 W 240 V  | ELECTRIC PLATE 1500 W 240 V | ELEKTRISCHE PLATTE 1500 W 240 V   |
| MINIMA TAV. 441 | 12 | RTCU700083 | COPERCHIO D.220              | COUVERCLE D.220                 | COVER D.220                 | BECKENABDECKUNG D.220             |
| MINIMA TAV. 441 | 13 | RTCU900421 | CAVO ALIMENTAZIONE           | CÂBLE DE ALIMENTATION           | FEEDING CABLE               | VERSORGUNGSKABEL                  |
| MINIMA TAV. 441 | 14 | RTCU700086 | PIASTRA EL. 2,6 KW           | PLAQUE ÉLECTRIQUE 2600 W 240 V  | ELECTRIC PLATE 2600 W 240 V | ELEKTRISCHE PLATTE 2600 W 240 W   |
| MINIMA TAV. 441 | 15 | RTBF900045 | MORSETTIERA                  | GROUPE DE CONNEXION 6 POLES     | TERMINAL BLOCK 6 POLES      | KLEMMBRETT 6 POLIG                |
| MINIMA TAV. 441 | 16 | PACU600119 | SQUADRETTA                   | SUPPORT DE CONNEXION DES CABLES | TERMINAL BOARD BAR          | BLOCKHALTERUNG                    |
| MINIMA TAV. 441 | 17 | RTCU700403 | MANOPOLA                     | BOUTON DU COMMUTATEUR           | COMMUTATOR KNOB             | KOMMUTATORKUGELGRIFF              |
| MINIMA TAV. 441 | 18 | RTCU700078 | COMMUTATORE                  | COMMUTATEUR PLAQUE 3 KW         | PLATE COMMUTATOR 3 KW       | ELEKTROPLATTEN-KOMMUTATOR 3 KW    |
| MINIMA TAV. 441 | 19 | RTCU900290 | LAMPADA SPIA                 | LAMPE TEMOIN VERTE              | GREEN WARNING LAMP          | GRÜNE KONTROLLEUCHTE              |
| MINIMA TAV. 441 | 20 | PACU600003 | FIANCO DX                    | CÔTÉ DROITE                     | RIGHT SIDE                  | RECHTE SEITE                      |



E4F6  
 E6FA6  
 G4SFEA6  
 G4SFE6

|               |       |            |  |                                    |   |                                 |
|---------------|-------|------------|--|------------------------------------|---|---------------------------------|
| MINIMATAV.437 | 24    | RTCU600064 | MANOP.RUB.V.G4S6 TURCH.                      | BOUTON                             | KNOB                                    | DREHGRIFF                       |
| MINIMATAV.437 | 21    | RIC0002676 | CONTROPORATA RUS NERO                        | FAUSSE PORTE RUS NOIRE             | COUNTER-DOOR RUS BLACK                  | GEGENTÜR RUS SCHWARZ            |
| MINIMATAV.437 | 58    | RIC0002676 | CONTROPORATA RUS NERO                        | FAUSSE PORTE RUS NOIRE             | COUNTER-DOOR RUS BLACK                  | GEGENTÜR RUS SCHWARZ            |
| MINIMATAV.437 | 2     | RIC0002587 | CRISTALLO INTERNO F/60 FUMO DI LONDRA        | CRYSTAL INTERIEUR F/60 ANTHRACITE  | INSIDE PLATE GLASS F/60 ANTHRACITE GREY | KRISTALL INTERN F/60 DUNKELGRAU |
| MINIMATAV.437 | 18    | RIC0002675 | FACCIATA 60 G NERO                           | FAÇADE 60G.NOIRE                   | FRONT 60 G.BLACK                        | VORDERSEITE SCHWARZ 60 G.       |
| MINIMATAV.437 | 22D   | RIC0002133 | CERNIERA PORTA DX F/E810                     | CHARNIERE PORTE D.TE F/E810        | DOOR HINGE, RH F/E810                   | SCHARNIER RECHTE TÜR F/E810     |
| MINIMATAV.437 | 30    | 3180001800 | SCATOLA SUPPORTO BRUCIATORE GL               | BOITE SUPPORT BRULEUR GL           | BURNER HOLDER GL                        | KASTENHALTERUNG BRENNER GL      |
| MINIMATAV.437 | 80    | RTCU600195 | MANOP. TERM. F E4F6                          | BOUTON DU THERMOSTAT F E4F6        | THERMOSTAT KNOB F E4F6                  | THERMOSTATKUGELGRIFF E4F6       |
| MINIMATAV.437 | 81    | RTCU800185 | GUARN. ASTA COMM.                            | JOINT TIGE COMMUTATEUR             | SWITCH ROD GASKET                       | DICHTUNG STAB UMSCHALTER        |
| MINIMATAV.437 | 22S   | RIC0002134 | CERNIERA PORTA SX F/E810                     | CHARNIERE PORTE G.CHE F/E810       | DOOR HINGE, LH F/E810                   | SCHARNIER LINKE TÜR F/E810      |
| MINIMATAV.437 | 22.01 | RIC0002448 | PORTARULLINO CERNIERA                        | PORTE-ROULEAU CHARNIERE PORTE      | DOOR HINGE PIN-HOLDER                   | ROLLENFÜHRUNG TÜRSCHARNIER      |
| MINIMATAV.437 | 3     | RIC0002674 | LISTA RINFORZO MANIGLIA E                    | LATTE RENFORCEMENT POIGNEE E       | HANDLE STIFFENER E                      | VERSTÄRKUNGSLEISTE GRIFF UND    |
| MINIMATAV.437 | 98    | 3200002900 | SQUADRA FISSA FORNO A FACCIATA               | EQUERRE FIXE FOUR A FAÇADE         | FRONT OVEN TRY SQUARE                   | FESTER BÜGEL EINBAU-OFEN        |
| MINIMATAV.437 | 50    | RIC0001835 | RESISTENZA CIRCOLARE 3SP 2500/3000W 220/240V | RESISTANCE 3SP 1500/3000W 220/240V | RESISTANCE                              | WIDERSTAND                      |
| MINIMATAV.437 | 22.01 | RIC0002448 | PORTARULLINO CERNIERA                        | PORTE-ROULEAU CHARNIERE PORTE      | DOOR HINGE PIN-HOLDER                   | ROLLENFÜHRUNG TÜRSCHARNIER      |
| MINIMATAV.437 | 98    | 3200002900 | SQUADRA FISSA FORNO A FACCIATA               | EQUERRE FIXE FOUR A FAÇADE         | FRONT OVEN TRY SQUARE                   | FESTER BÜGEL EINBAU-OFEN        |
| MINIMATAV.437 | 26    | 9626153500 | GRIGLIA INTERNA SAGOMATA F/60                | GRILLE INTERIEURE FAÇONNEE F/60    | SHAPED INSIDE GRILL F/60                | PROFILGITTER INNEN F/60         |
| MINIMATAV.437 | 27    | 9626155000 | GUIDA LATERALE F/60                          | GUIDE LATERALE F/60                | SIDE GUIDE F/60                         | SEITLICHE FÜHRUNG F/60          |
| MINIMATAV.437 | 17    | RIC0002340 | GUARNIZIONE FACCIATA F/60                    | JOINT FAÇADE F/60                  | FRONT STREEP F/60                       | DICHTUNG VORDERSEITE F/60       |
| MINIMATAV.437 | 74    | RIC0002679 | CRISTALLO INTERNO FI/60 FISSO                | CRYSTAL INTERIEUR FI/60 FIXE       | INSIDE PLATE GLASS FI/60 FIX            | KRISTALL INNEN FI/60 FEST       |

|              |          |            |                                     |                                  |                                     |                             |
|--------------|----------|------------|-------------------------------------|----------------------------------|-------------------------------------|-----------------------------|
| MINIMATAV437 | 84       | RTCU600186 | T. E E4F6                           | THERMOSTAT E E4F6                | THERMOSTAT E E4F6                   | THERMOSTAT E E4F6           |
| MINIMATAV437 | 87       | RTCU700294 | MARCHIO RIF.FUOCHI FORNO G4SF7      | MARQUE                           | MARK                                | MARK                        |
| MINIMATAV437 | 85       | RTCU900072 | LAMP.SP.GIALLA/250V/TBF013.SF6      | LAMPE TÉMOIN JAUNE               | YELLOW WARNING LAMP                 | GELBE KONTROLLEUCHTE        |
| MINIMATAV437 | 38.01.00 | RIC0002592 | LAMPADA                             | LAMPE                            | LAMP                                | LAMPE                       |
| MINIMATAV437 | 82       | RTCU600185 | COMM. F G4SFED                      | COMMUTATEUR F G4SFED             | COMMUTATOR F G4SFED                 | KOMMUTATOR F G4SFED         |
| MINIMATAV437 | 41       | 9343420000 | MOTOVENTILATORE 220/240V.           | VENTILATEUR 220/240V             | FAN 220/240V                        | VENTILATOR 220/240V         |
| MINIMATAV437 | 52       | 9807222000 | PANNELLO ISOLANTE SCHIENA F/60      | PANNEAU ISOLANT DOS F/60         | BACK INSULATING PANEL F/60          | ISOLIERPANEEL               |
| MINIMATAV437 | 38       | RIC0002549 | PORTALAMPADA                        | DOUILLE                          | LAMP-HOLDER                         | LAMPENHALTERUNG             |
| MINIMATAV437 | 36       | 9807211000 | PANNELLO ISOLANTE CIELO F/60        | PANNEAU ISOLANT CIEL F/60        | TOP INSULATING PANEL F/60           | ISOLIERPANEEL OBEN F/60     |
| MINIMATAV437 | 86       | RTCU900290 | LAMPADA SPIA VERDE                  | LAMPE TEMOIN VERTE               | GREEN WARNING LAMP                  | GRÜNE KONTROLLEUCHTE        |
| MINIMATAV437 | 34       | RIC0001836 | RESISTENZA GRILL F/60 NIP           | RESISTANCE GRILL F/60 NIP        | GRILL RESISTOR F/60 NIP             | GRILLWIDERSTAND F/60 NIP    |
| MINIMATAV437 | 5        | RIC0002479 | MANIGLIA PONTE INOX                 | POIGNEE PONT INOX                | ST.STEEL HANDLE                     | EDELSTAHL BÜGELGRIFF        |
| MINIMATAV437 | 37       | 9807207000 | MATERASSINO ISOLANTE F/60           | PETIT MATELAS ISOLANT F/60 GAZ   | INSULATING PAD F/60 GAS             | ISOLIERMATTE F/60 GAS       |
| MINIMATAV437 | 32       | 3150000119 | PANNELLO COPRIVENTOLA E AUTOPULENTE | PANNEAU DE L'ABRI DU VENTILATEUR | PANEL OF THE SELFCLEANING FAN COVER | TAFEL DER FÄCHER-DECKE      |
| MINIMATAV437 | 1        | 3170004440 | BOMBATO PORTA F/60 INOX             | BOMBE PORTE F/60 INOX            | CONVEX DOOR F/60 ST.STEEL           | GEWÖLBTE TÜR F/60 EDELSTAHL |
| MINIMATAV437 | 55       | RIC0002677 | SQ FISSA VETRO CONTROPORTA          | EQUERRE FIXE VERRE FAUSSE PORTE  | TRY SQUARE FOR COUNTER-DOOR GLASS   | FESTER WINKEL GLAS GEGENTÜR |
| MINIMATAV437 | 29       | 3140000304 | PADELLA E NERO                      | POELE E NOIRE                    | FRYPAN AND BLACK                    | PFANNE SCHWARZ              |