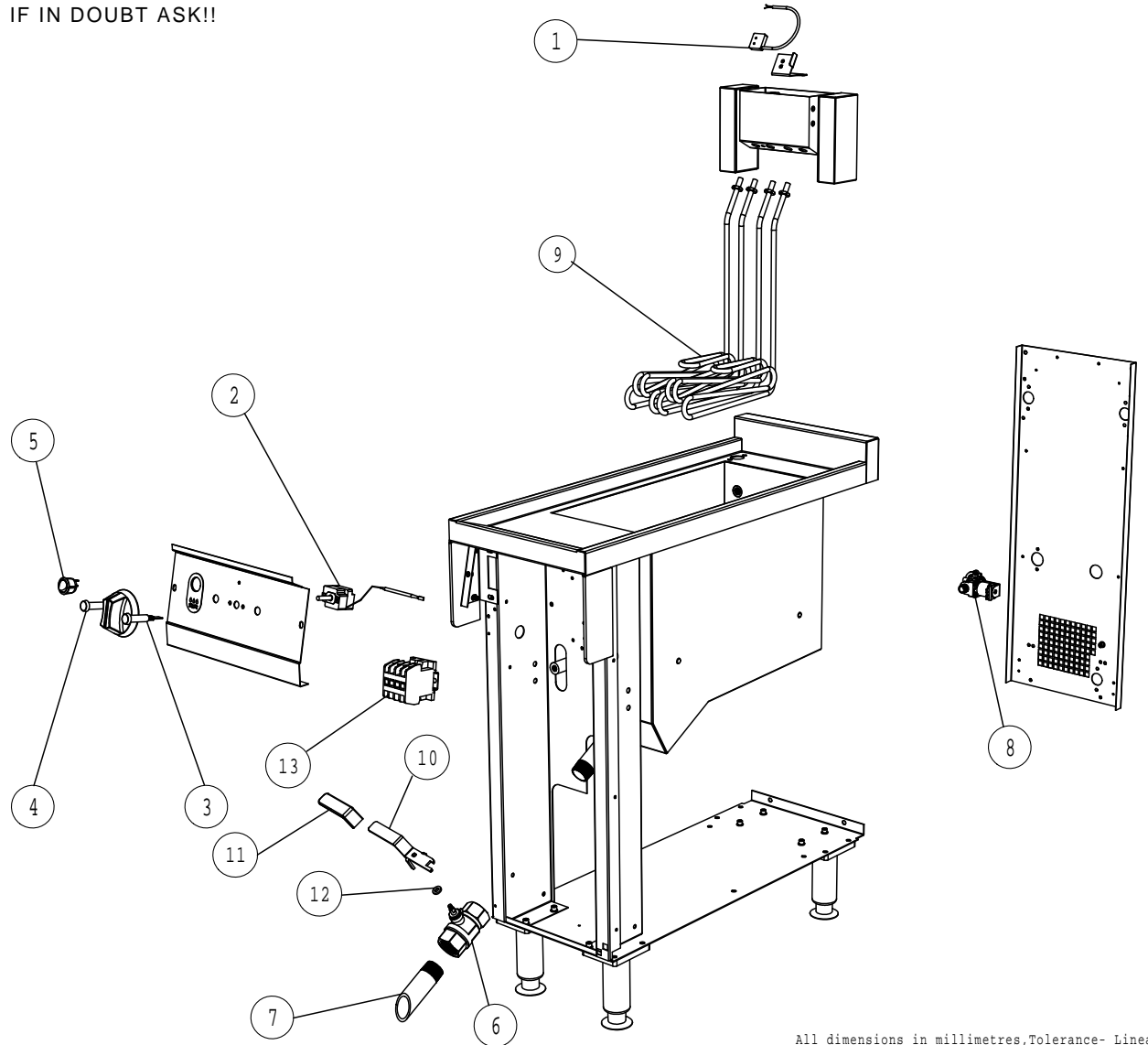
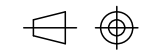


IF IN DOUBT ASK!!

DO NOT SCALE !!

First Angle Projection



ITEM	DESCRIPTION	SPARE No
1	TILT SWITCH	735750014
2	OPERATING THERMOSTAT	735750015
3	RED INDICATOR	735750016
4	AMBER INDICATOR	735750017
5	MOMENTORY SWITCH	735750018
6	DRAIN VALVE	735750019
7	DRAIN SPOUT	735750020
8	SOLENOID	735750021
9	ELEMENT	735750026
10	DRAIN HANDLE	735750028
11	DRAIN HANDLE SLEEVE	735750029
12	DRAIN HANDLE SPACER	735750030
13	CONTACTOR C/W DIN RAIL	735750031

All dimensions in millimetres, Tolerance- Linear  $\pm 0.5\text{mm}$  Angular  $\pm 0.5^\circ$  (or as stated). All sharp edges to be removed from sheet metal parts.

A		1184	PRODUCTION ISSUE	S. MOONEY	27/3/08
Issue	Mod No.	Alteration		Zone	Drawn by
<p>No reproduction or publication of this drawing may be made and no article may be manufactured or assembled in accordance with this drawing without prior written consent. This prohibition is a term of any contract relating to this drawing. Rights reserved under the Copyright Act 1956 as amended by the Design Copyright Act 1968.</p>					

This part is common to the following units



Drawn S. MOONEY  
Date 21/10/04  
Scale NTS

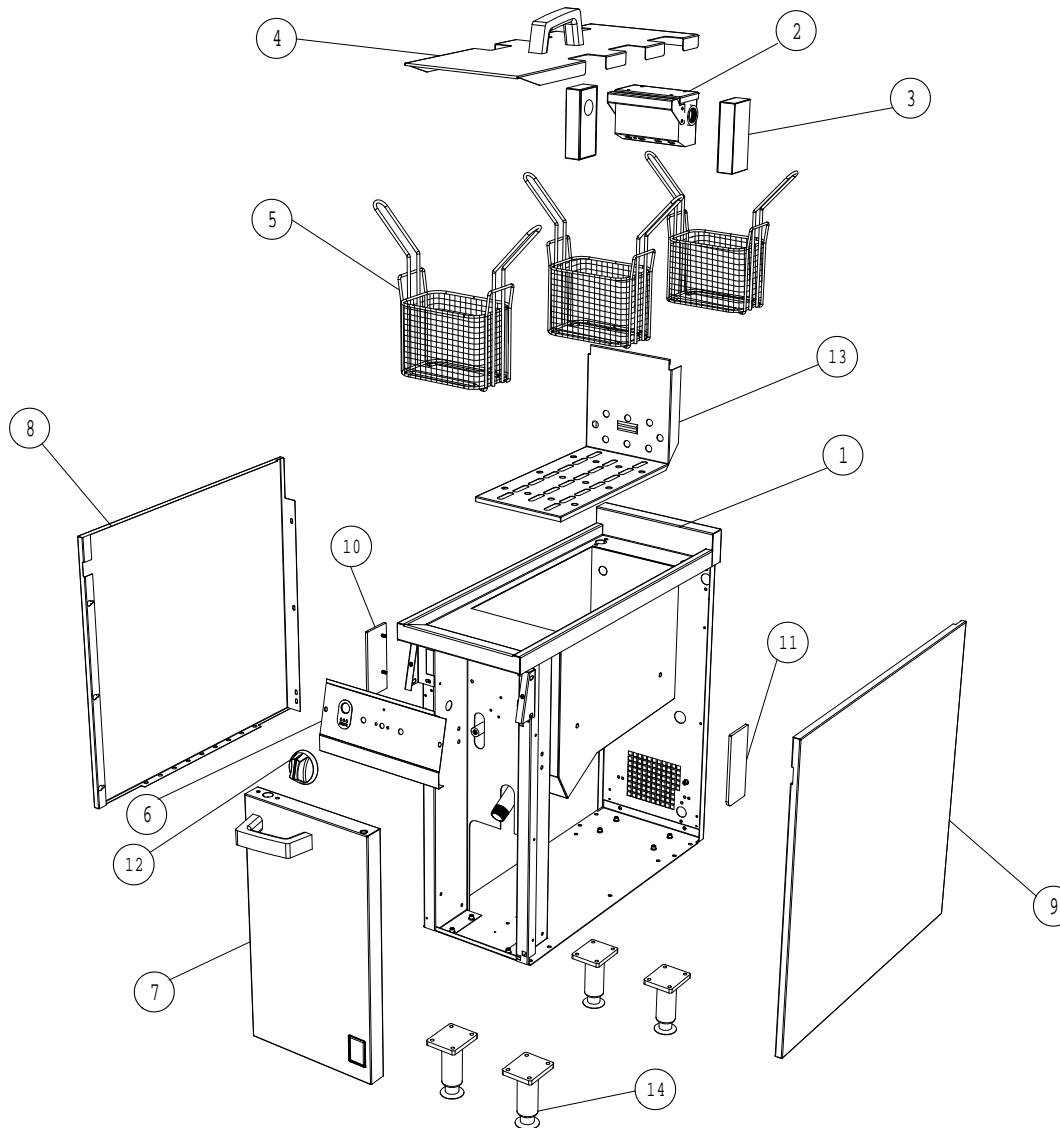
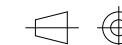
Product E2203 ELECTRIC PASTA BOILER  
Title SPARES - CONTROLS

Matl.	Drawing Number	Issue
No. off	Finish	AD43221
Bin No.	Kraus No.	
		A

IF IN DOUBT ASK!!

DO NOT SCALE !!

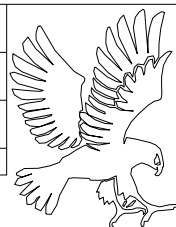
First Angle Projection



ITEM	DESCRIPTION	SPARE No
1	HOB AND PAN ASSY	735750000
2	ELEMENT TERMINAL BOX ASSY	735750001
3	ELEMENT SUPPORT BOX ASSY	735750002
4	DUST COVER ASSY	735750003
5	BASKET	735750004
6	CONTROL PANEL	735750005
7	DOOR ASSY	735750006
8	LH SIDE PANEL	735750007
9	RH SIDE PANEL	735750008
10	LH END CHEEK	735750009
11	RH END CHEEK	735750010
12	CONTROL KNOB	735750011
13	PASTA PLATE	735750012
14	LEG	735750013

All Dimensions in millimetres, Tolerance- Linear  $\pm 0.5\text{mm}$  Angular  $\pm 0.5^\circ$  (or as stated)

A		RELEASED TO PRODUCTION		S. BROWN	07/10/05
Issue	Mod No.	Alteration	Zone	Drawn by	Date



Drawn	S. MOONEY	Product	E2203 ELECTRIC PASTA BOILER	
Date	20/10/04	Title	SPARES - FITMENTS	
Scale	NTS			
Matl.		Drawing Number	AD43220	
No. off		Issue	A	
Bin No.		Kraus No.	T111545	

No reproduction or publication of this drawing may be made and no article may be manufactured or assembled in accordance with this drawing without prior written consent. This prohibition is a condition of any contract relating to this drawing. Rights reserved under the Copyright Act 1956 as amended by the Design Copyright Act 1988.

This part is common to the following units

**UNCONTROLLED**

Falcon Foodservice Equipment. Wallace View Hillfoots Road Stirling Scotland