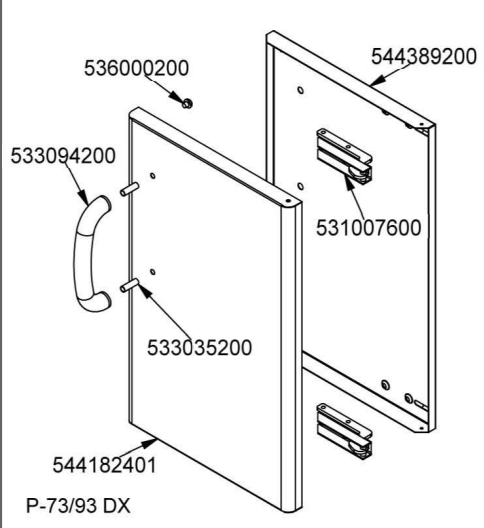


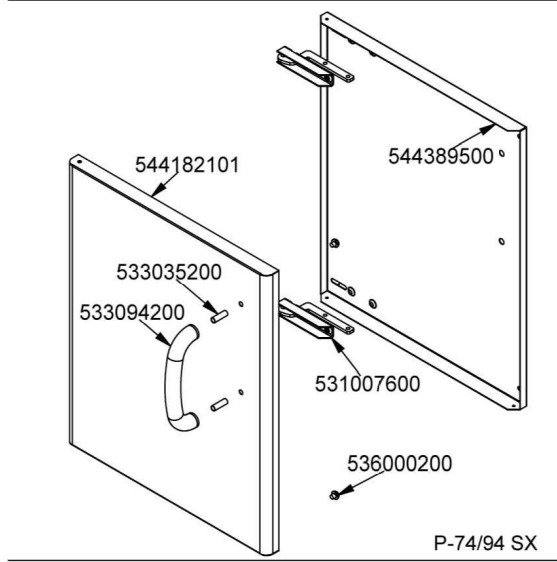
|                              | *         | **        |
|------------------------------|-----------|-----------|
| G30-28+30mbar<br>G31- 37mbar | 533020200 | 533044000 |
| G30- 50mbar                  | 533020200 | 533030900 |
| G20- 20mbar<br>G25- 25mbar   | 533020400 | 533014300 |
| G20- 20mbar<br>DE-AT         | 533020400 | 533014300 |
| G25- 20mbar                  | 533020400 | 533056500 |
| G25- 25mbar<br>NL            | 533020400 | 533056000 |



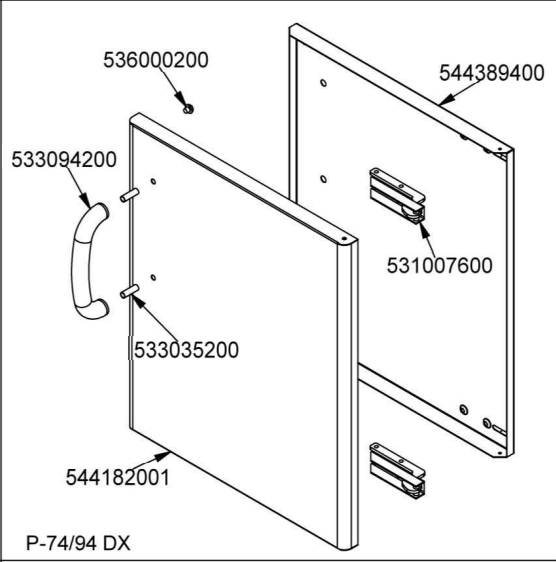
P-73/93 SX



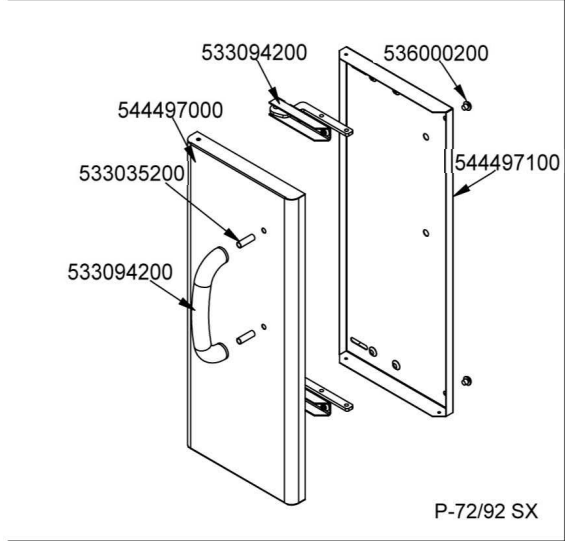
P-73/93 DX



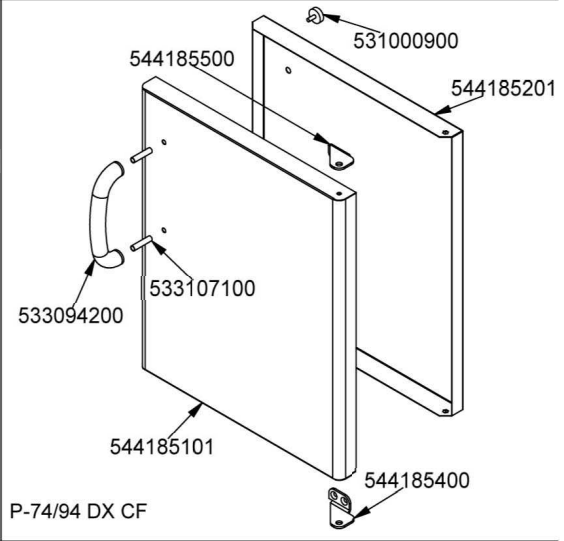
P-74/94 SX



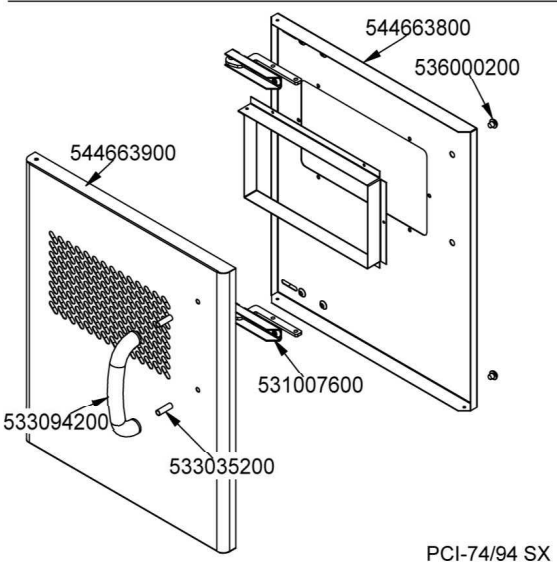
P-74/94 DX



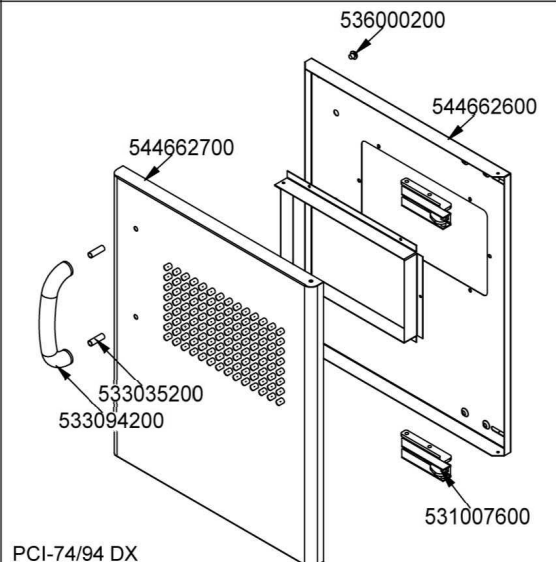
P-72/92 SX



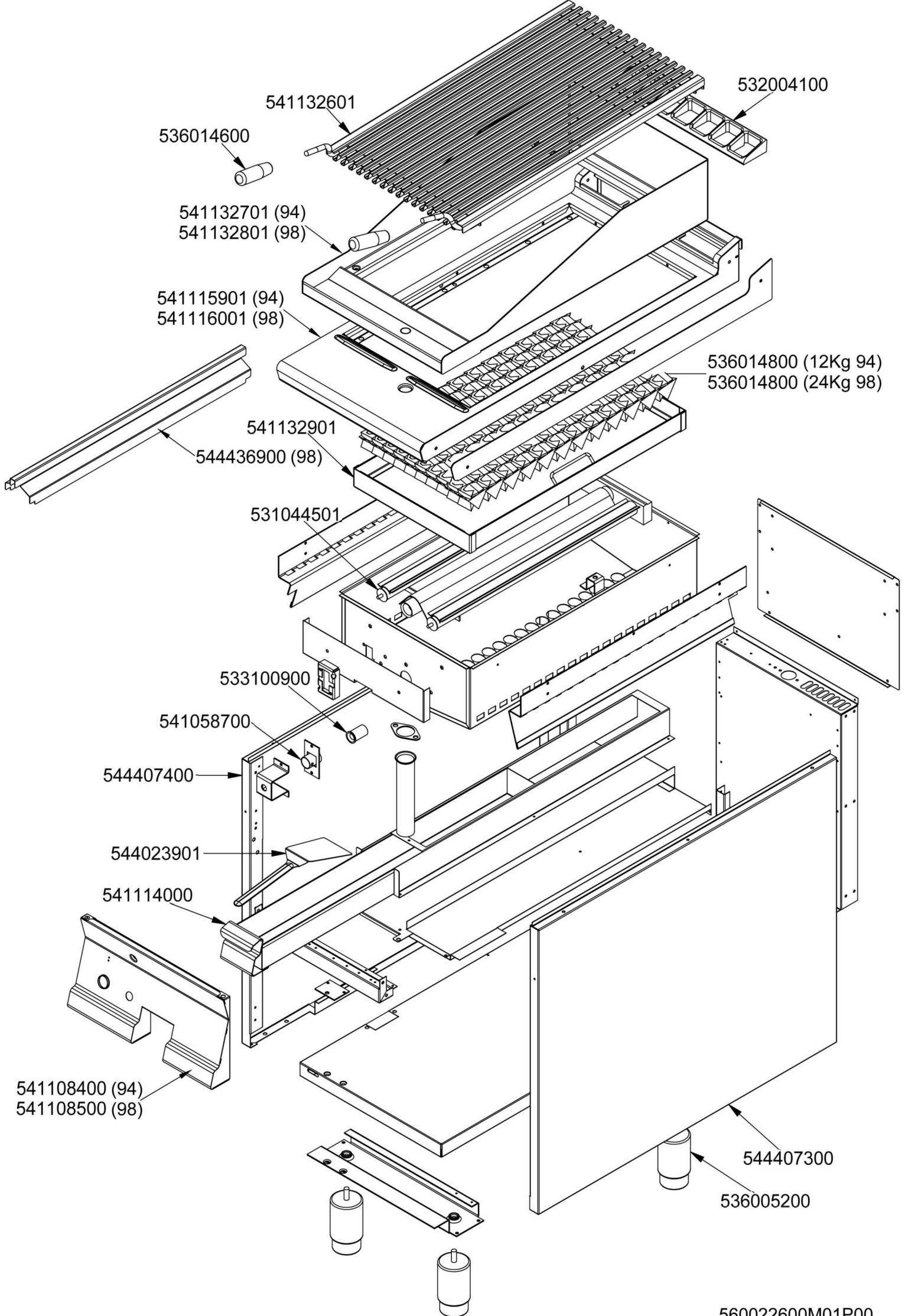
P-74/94 DX CF



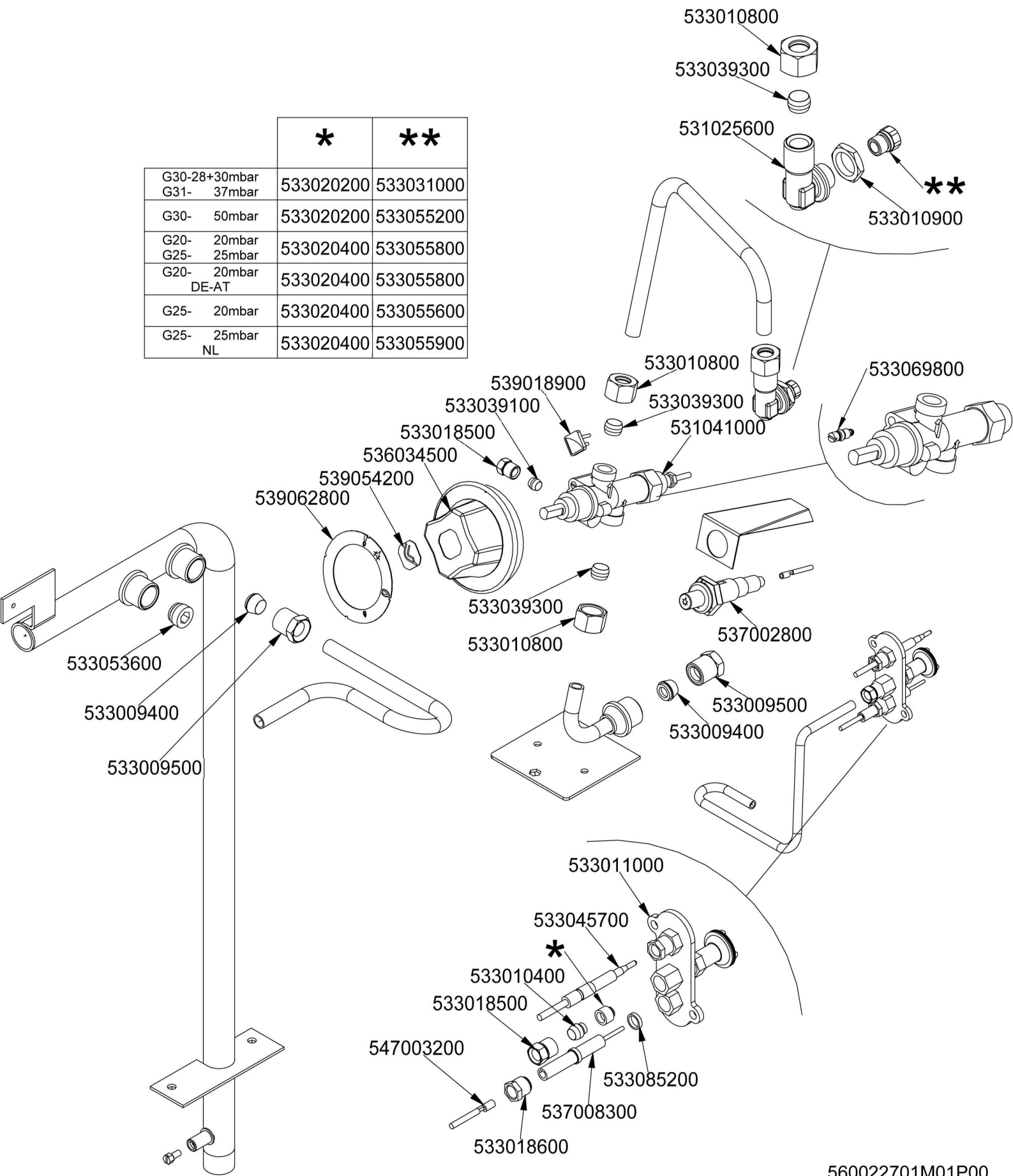
PCI-74/94 SX

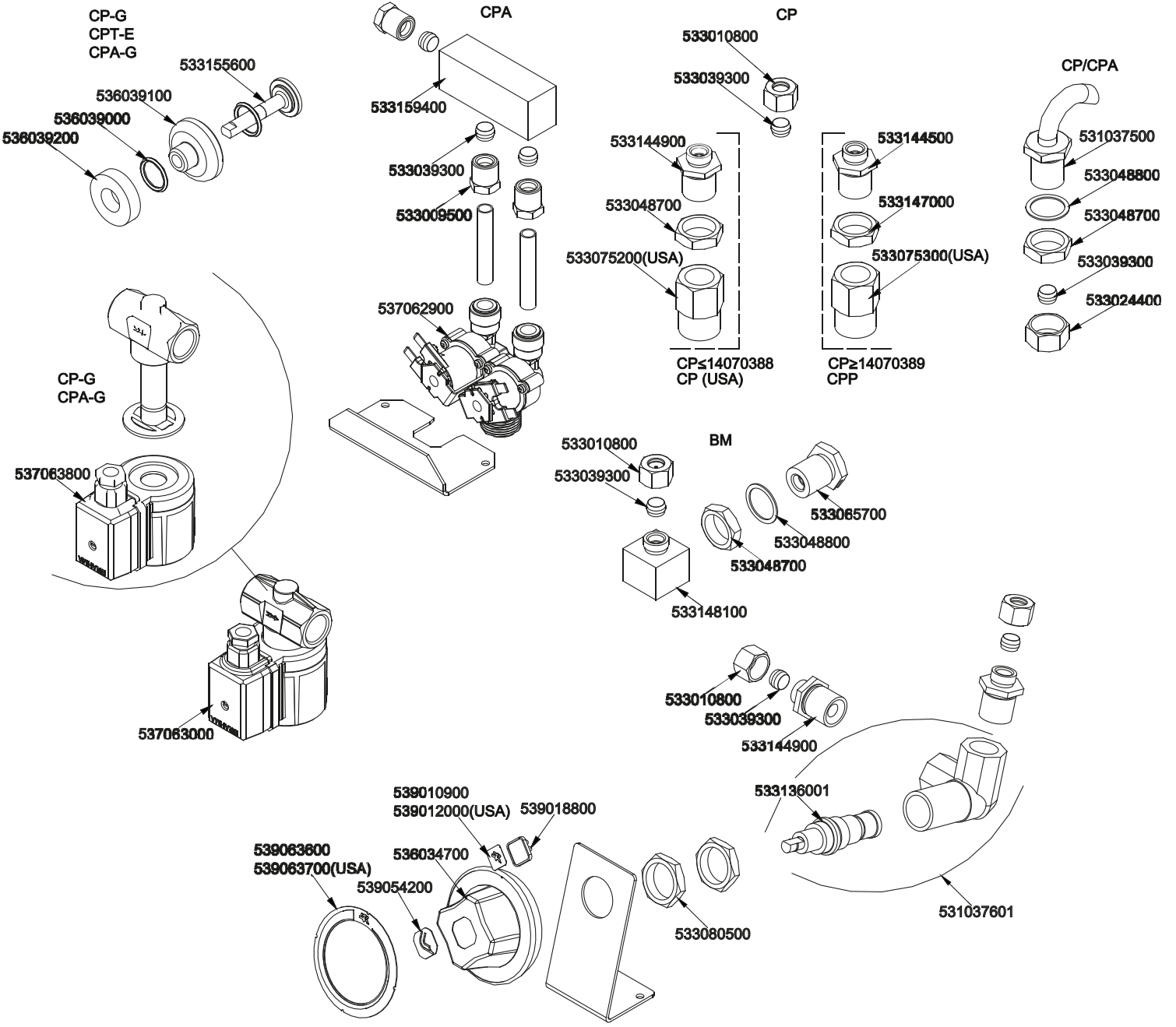


PCI-74/94 DX

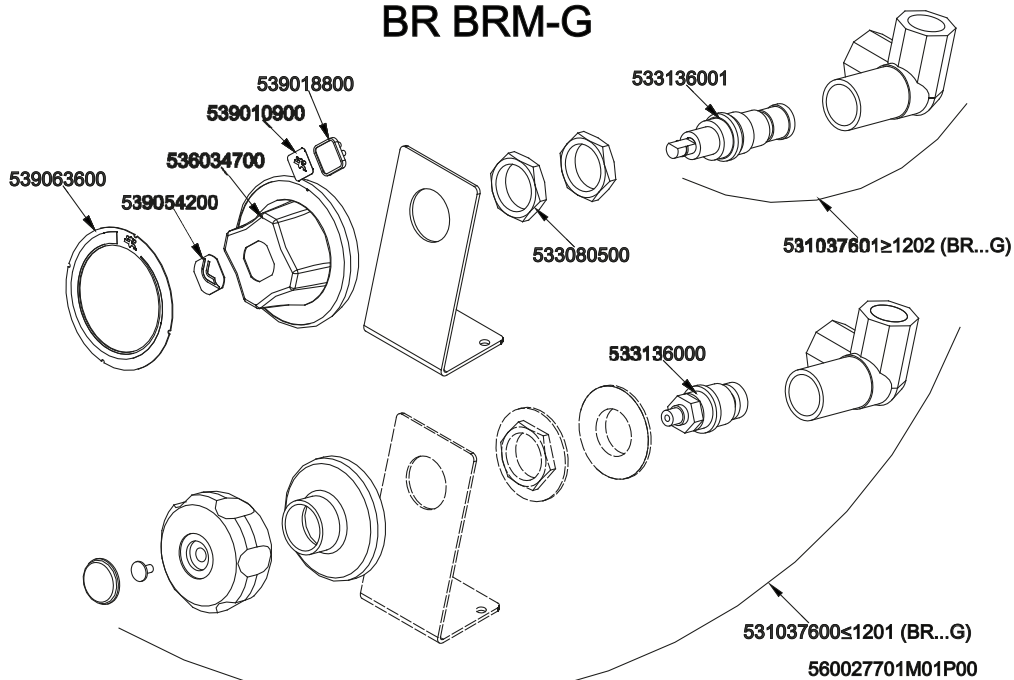


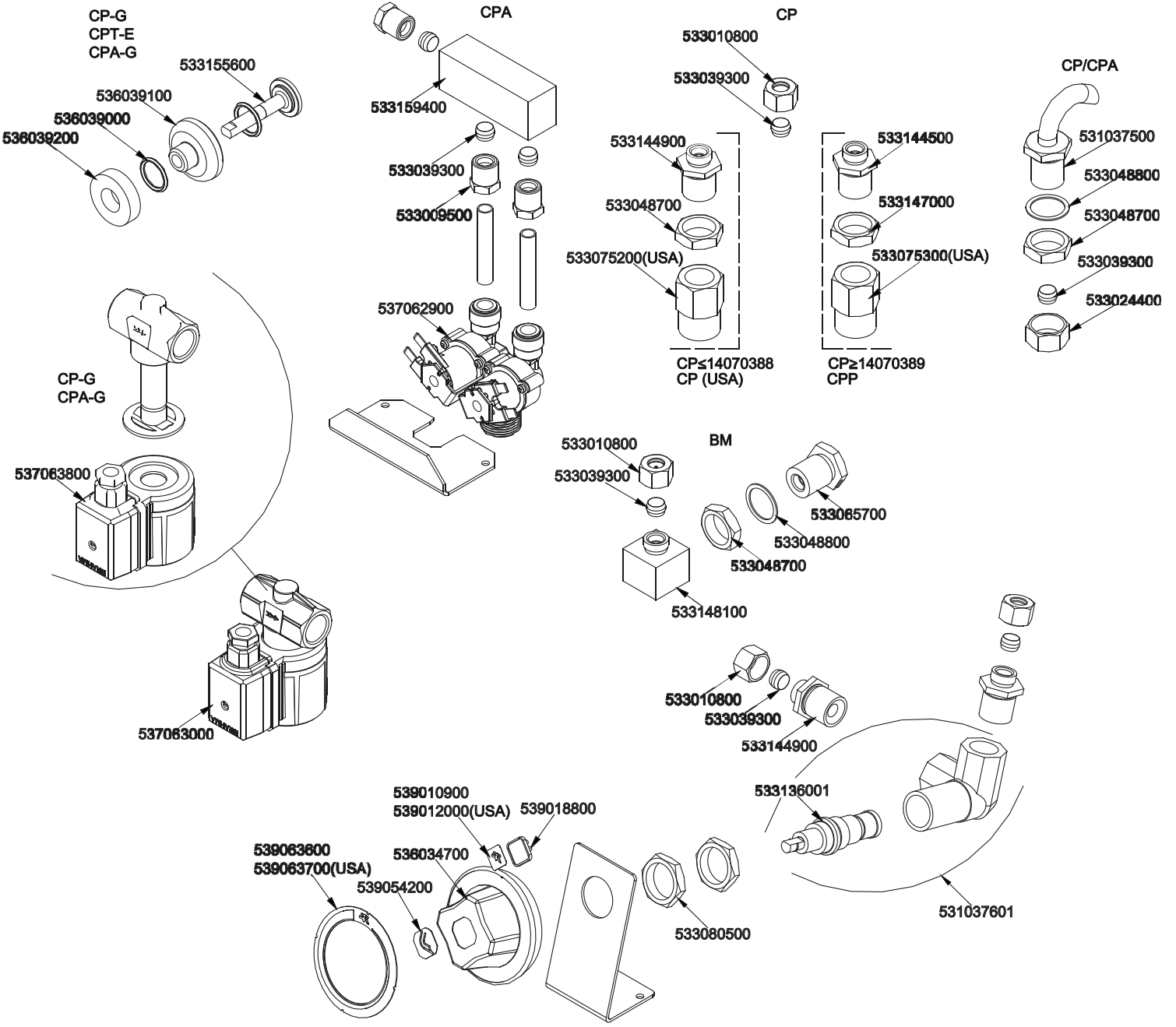
|                              | *         | **        |
|------------------------------|-----------|-----------|
| G30-28+30mbar<br>G31- 37mbar | 533020200 | 533031000 |
| G30- 50mbar                  | 533020200 | 533055200 |
| G20- 20mbar<br>G25- 25mbar   | 533020400 | 533055800 |
| G20- 20mbar<br>DE-AT         | 533020400 | 533055800 |
| G25- 20mbar                  | 533020400 | 533055600 |
| G25- 25mbar<br>NL            | 533020400 | 533055900 |



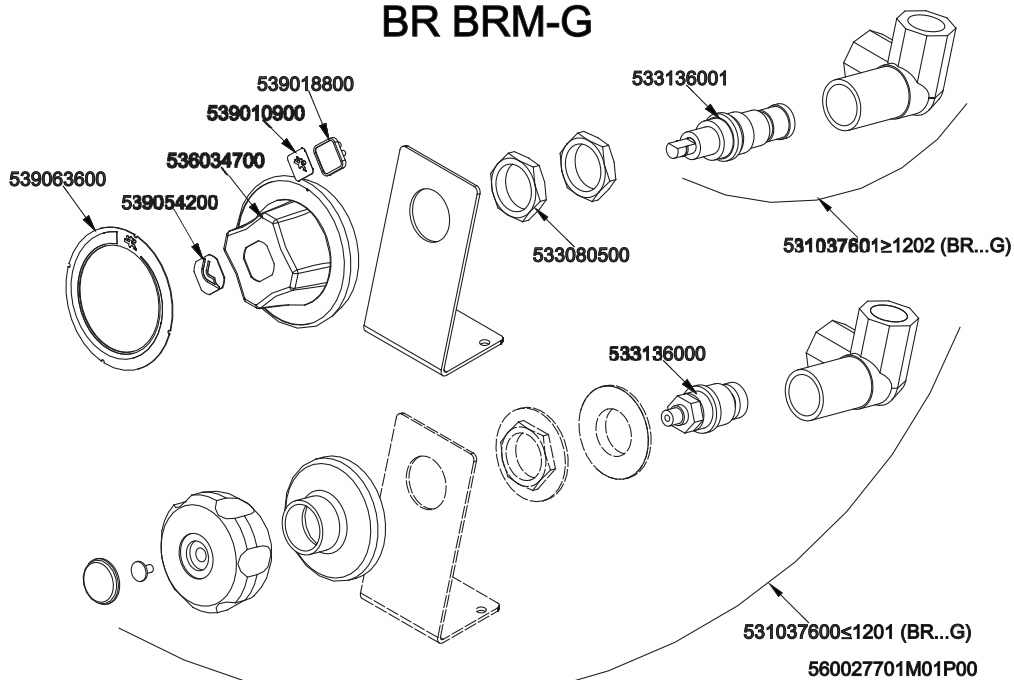


### BR BRM-G





### BR BRM-G



| Page | Pos | Code      | Description                        |
|------|-----|-----------|------------------------------------|
| 001  |     | 532004100 | FLUE GRID L=370 90LINE (RAF        |
| 001  |     | 531037701 | BASKET SUPPORT GRID CP S.90        |
| 001  |     | 531042800 | SEMISPHERE FILTER                  |
| 001  |     | 544412900 | BASKET HOLDER FOR DRAINAGE OF CP90 |
| 001  |     | 541115701 | ASS.PIANO S90 CP-98G               |
| 001  |     | 546006100 | RUBBER TUBE §25INT.*§33EXT.*L=540  |
| 001  |     | 531018600 | BALL VALVE 1"G M-F CPM-62G         |
| 001  |     | 533157400 | FERMO PROLUNGA RUBINETTO 1"G Ø14   |
| 001  |     | 533157300 | PROLUNGA RUB.1"G S90               |
| 001  |     | 533039900 | PIPE HOLDER 1" G M D.24            |
| 001  |     | 533157500 | RACC.A GOM.90° 1 G F.F.            |
| 001  |     | 544407400 | LEFT SIDE PANEL 70 LINE            |
| 001  |     | 533040000 | 1"G F-F-F "T" FITTING              |
| 001  |     | 533149500 | PROLUNGA 1 G M/M FE ZINC L100      |
| 001  |     | 541106603 | ASS.CRUSC.S607090 CP-78G CP-98G    |
| 001  |     | 531017800 | BURNER CPM-62G POLID.103.1515.0    |
| 001  |     | 537062800 | CENTR.SENS.ACQUA E RAB.CP 230V     |
| 001  |     | 544407300 | RIGHT SIDE PANEL 90 LINE           |
| 001  |     | 536005200 | INOX LEG 2" 120-180 M10            |
| 001  |     | 537003800 | TERMINAL BLOCK 3POLES 16A          |
| 002  |     | 533047900 | BY PASS COCK §100 21S              |
| 002  |     | 533009400 | BICONE 10S                         |
| 002  |     | 533009500 | NIPPLE FOR BICONE 10S              |
| 002  |     | 533053600 | EUROSIT VALVE PLUG                 |
| 002  |     | 539018900 | INDEX FOR KNOB W/RED SIGN          |
| 002  |     | 533039100 | BICONE §6                          |
| 002  |     | 533018500 | FITTING FOR BICONE D.6 M10*1       |
| 002  |     | 533010800 | TUBE NUT D.10 M16*1,5              |
| 002  |     | 533039300 | BICONE §10                         |
| 002  |     | 531032100 | GAS COCK 21S P.V.BY-PASS Ø100      |
| 002  |     | 537031901 | RED WARNING LIGHT PCI 12V E FASTON |
| 002  |     | 536034500 | KNOB §77 4P. §08*6,5               |
| 002  |     | 539062800 | RED STICKING DISK 72               |
| 002  |     | 539054200 | STAMP Ø20,5 CR."L" LOTUS R.        |
| 002  |     | 537060300 | IGNITION CONTROL BOX 2F. V30       |
| 002  |     | 533011500 | PILOT BURNER 2 FLAMES 220          |
| 002  |     | 533045700 | THERMOCOUPLE M9*1 500              |
| 002  |     | 533085200 | SPACER FOR PILOT PLUG              |
| 002  |     | 533010400 | BICONE D.6                         |
| 002  |     | 537008300 | ROUND PLUG §2,4- LONG ELECTRODE    |
| 002  |     | 533018600 | PLUG FITTING                       |
| 002  |     | 547002600 | HIGH-VOLTAGE CABLE L=500           |
| 002  |     | 533010900 | NUT M14*1 H.4                      |
| 002  |     | 537015601 | P.D.INTERR.IST.NERO FULMINE        |
| 002  |     | 537001701 | P.D.INTERR.LUM.VERDE 0 1           |
| 002  |     | 533144900 | MALE FITTING WATER INLET M16X1,5   |
| 002  |     | 531072600 | RACC.PORTAINIETT.90°CANN.Ø101/2G   |
| 002  |     | 533020200 | PILOT JETS 0160 FOR LPG §30        |
| 002  |     | 533020400 | NOZZLE 0160 (NATURAL GAS) 51       |
| 002  |     | 533044000 | NOZZLE §195 CH12*14 M-CW4          |
| 002  |     | 533030900 | NOZZLE §165 CH12X14 H-CW           |



| Page | Pos | Code      | Description                         |
|------|-----|-----------|-------------------------------------|
| 002  |     | 533014300 | NOZZLE §285 CH12*14                 |
| 002  |     | 533056500 | NOZZLE §325 CH12*14                 |
| 003  |     | 544389300 | CONTROP.73 SX APP. LT               |
| 003  |     | 531007600 | DOOR HINGE                          |
| 003  |     | 544182501 | LEFT DOOR 73                        |
| 003  |     | 533094200 | S/S HANDLE FOR 70/90 SERIES         |
| 003  |     | 533035200 | HANDLE SPACER                       |
| 003  |     | 536000200 | D.12 H.4 BUMPER                     |
| 003  |     | 544389200 | CONTROP.73 DX APP. LT               |
| 003  |     | 544182401 | RIGHT DOOR 73                       |
| 003  |     | 544182101 | LEFT DOOR 74                        |
| 003  |     | 544389500 | INNER-DOOR OF LHD 74                |
| 003  |     | 544389400 | CONTROP.74 DX APP. LT               |
| 003  |     | 544182001 | RIGHT DOOR 74                       |
| 003  |     | 544497000 | PORTA 72 SX                         |
| 003  |     | 544497100 | CONTROP.72 SX APP. LT               |
| 003  |     | 544185101 | RIGHT DOOR 74 CF                    |
| 003  |     | 533107100 | HANDLE SPACER OF CF-70              |
| 003  |     | 544185500 | UPPER DOOR HINGE FOR COMPARTME CF70 |
| 003  |     | 531000900 | MAGNET §22 KG.3 WITH DISK           |
| 003  |     | 544185201 | INNER DOOR * 74DX                   |
| 003  |     | 544185400 | LOWER DOOR HINGE FOR COMPARTME CF70 |
| 003  |     | 544663900 | LHD 74 DOOR FOR PCI                 |
| 003  |     | 544663800 | 74 LHD OVEN INNER DOOR FOUR PCI     |
| 003  |     | 544662700 | DOOR 74 DX PCI                      |
| 003  |     | 544662600 | CONTROP.74 DX APP. LT PCI           |
| 004  |     | 532004100 | FLUE GRID L=370 90LINE (RAF         |
| 004  |     | 541132601 | "V" GRID FOR CW-94                  |
| 004  |     | 536014600 | GRIP D.28*90*M10 CW                 |
| 004  |     | 541132701 | SPLASH SHIELD CW-94                 |
| 004  |     | 541115901 | UPPER PLATE CW-94                   |
| 004  |     | 536014800 | LAVASTONE                           |
| 004  |     | 541132901 | STONE SUPPORTING FRAME CW-94G       |
| 004  |     | 531044501 | BURNER CW-G 90 LINE                 |
| 004  |     | 533100900 | AIR ADJUSTMENT BUSHING D22 EST.H38  |
| 004  |     | 541058700 | BURNER COUPLING BUSHING CW-G        |
| 004  |     | 544407400 | LEFT SIDE PANEL 70 LINE             |
| 004  |     | 544023901 | SPATTLE FOR FRY-TOP                 |
| 004  |     | 541114000 | DRAINER DRAWER CW-G 90LINE          |
| 004  |     | 541108400 | CONTROL PANEL CW-74G                |
| 004  |     | 544407300 | RIGHT SIDE PANEL 90 LINE            |
| 004  |     | 536005200 | INOX LEG 2" 120-180 M10             |
| 005  |     | 533010800 | TUBE NUT D.10 M16*1,5               |
| 005  |     | 533039300 | BICONE §10                          |
| 005  |     | 531025600 | ELBOW 90° NOZZLE-HOLDER §10 PIPE    |
| 005  |     | 533031000 | NOZZLE §175 CH12X14                 |
| 005  |     | 533055200 | NOZZLE §153 CH12*14 M/L-FQ/P65      |
| 005  |     | 533055800 | NOZZLE CH12X14,0 O250               |
| 005  |     | 533055600 | NOZZLE §280 CH12*14                 |
| 005  |     | 533055900 | NOZZLE CH12X14,0 O265               |
| 005  |     | 533010900 | NUT M14*1 H.4                       |

| Page | Pos | Code      | Description                         |
|------|-----|-----------|-------------------------------------|
| 005  |     | 533069800 | BY PASS COCK §110 20S-21S           |
| 005  |     | 531041000 | SAFETY TAP 21S-B                    |
| 005  |     | 539018900 | INDEX FOR KNOB W/RED SIGN           |
| 005  |     | 533039100 | BICONE §6                           |
| 005  |     | 533018500 | FITTING FOR BICONE D.6 M10*1        |
| 005  |     | 536034500 | KNOB §77 4P. §08*6,5                |
| 005  |     | 539054200 | STAMP O20,5 CR."L" LOTUS R.         |
| 005  |     | 539062800 | RED STICKING DISK 72                |
| 005  |     | 533053600 | EUROSIT VALVE PLUG                  |
| 005  |     | 533009400 | BICONE 10S                          |
| 005  |     | 533009500 | NIPPLE FOR BICONE 10S               |
| 005  |     | 547003200 | HIGH-VOLTAGE CABLE TUBE.§2 L=500    |
| 005  |     | 533018600 | PLUG FITTING                        |
| 005  |     | 537008300 | ROUND PLUG §2,4- LONG ELECTRODE     |
| 005  |     | 533010400 | BICONE D.6                          |
| 005  |     | 533085200 | SPACER FOR PILOT PLUG               |
| 005  |     | 533020200 | PILOT JETS 0160 FOR LPG §30         |
| 005  |     | 533020400 | NOZZLE 0160 (NATURAL GAS) 51        |
| 005  |     | 533045700 | THERMOCOUPLE M9*1 500               |
| 005  |     | 533011000 | PILOT BURNER 3 FLAMES 320           |
| 005  |     | 537002800 | PIEZOELECTRIC IGNITION M18 WITH NUT |
| 006  |     | 533010800 | TUBE NUT D.10 M16*1,5               |
| 006  |     | 533155600 | PERNO PER SENSORE ACQUA             |
| 006  |     | 536039100 | GUIDA PER SENSORE ACQUA             |
| 006  |     | 536039000 | GUARNIZ.O-RING 12,42X1,78 SILIC.    |
| 006  |     | 536039200 | DISTANZIALE PER SENSORE ACQUA       |
| 006  |     | 533039300 | BICONE §10                          |
| 006  |     | 533159400 | RACC.UN.2 U.ELETTROV.ACQUA CP       |
| 006  |     | 533144500 | FITTING FOR WATER INPUT 3/4G        |
| 006  |     | 531037500 | RACCORD CA.H2O 1/2G CAN.D10         |
| 006  |     | 533144900 | MALE FITTING WATER INLET M16X1,5    |
| 006  |     | 533048700 | NUT 1/2G ZN                         |
| 006  |     | 533048800 | GASKET §30*§21*2 FIBRE              |
| 006  |     | 533147000 | BICONE FITTING 3/4G ZN              |
| 006  |     | 533009500 | NIPPLE FOR BICONE 10S               |
| 006  |     | 533024400 | HEXAGONAL NUT 1/2G TUBE D.10        |
| 006  |     | 537062900 | ELETTROV.A.3/4GM-2Ø10JG 230V RPV    |
| 006  |     | 537063800 | COIL ELECTROV.G.1/2GF 230V          |
| 006  |     | 533065700 | FITTING FOR WATER INPUT 1/2G        |
| 006  |     | 533148100 | RACC.A GOM.90° 1/2G F.M16X1,5M. (S  |
| 006  |     | 537063000 | ELETTROV.G.1/2GF-1/2GF 230V         |
| 006  |     | 539010900 | ADHESIVE LABEL FOR DRAIN COCK       |
| 006  |     | 533136001 | SCREW TAP WATER LOAD FOR CP S70/90  |
| 006  |     | 539012000 | ADHESIVE LABEL FOR DRAIN COCK USA   |
| 006  |     | 539018800 | BLANK INDEX FOR KNOB                |
| 006  |     | 539063600 | ADHESIVE DISK 72 FOR DRAIN COCK     |
| 006  |     | 539063700 | ADHESIVE DISK 72 FOR DRAIN COCK USA |
| 006  |     | 536034700 | KNOB §77 4P. §08*6,5 F§30           |
| 006  |     | 539054200 | STAMP Ø20,5 CR."L" LOTUS R.         |
| 006  |     | 531037601 | TAP FOR WATER 90°DX CP              |
| 006  |     | 533136000 | SCREW TAP WATER LOAD FOR CP S70/90  |

| Page | Pos | Code      | Description                         |
|------|-----|-----------|-------------------------------------|
| 006  |     | 531037600 | TAP FOR WATER LOADING 1/2"GF CP 90  |
| 007  |     | 533010800 | TUBE NUT D.10 M16*1,5               |
| 007  |     | 533155600 | PERNO PER SENSORE ACQUA             |
| 007  |     | 536039100 | GUIDA PER SENSORE ACQUA             |
| 007  |     | 536039000 | GUARNIZ.O-RING 12,42X1,78 SILIC.    |
| 007  |     | 536039200 | DISTANZIALE PER SENSORE ACQUA       |
| 007  |     | 533039300 | BICONE §10                          |
| 007  |     | 533159400 | RACC.UN.2 U.ELETTROV.ACQUA CP       |
| 007  |     | 533144500 | FITTING FOR WATER INPUT 3/4G        |
| 007  |     | 531037500 | RACCORD CA.H2O 1/2G CAN.D10         |
| 007  |     | 533144900 | MALE FITTING WATER INLET M16X1,5    |
| 007  |     | 533048700 | NUT 1/2G ZN                         |
| 007  |     | 533048800 | GASKET §30*§21*2 FIBRE              |
| 007  |     | 533147000 | BICONE FITTING 3/4G ZN              |
| 007  |     | 533009500 | NIPPLE FOR BICONE 10S               |
| 007  |     | 533024400 | HEXAGONAL NUT 1/2G TUBE D.10        |
| 007  |     | 537062900 | ELETTROV.A.3/4GM-2Ø10JG 230V RPV    |
| 007  |     | 537063800 | COIL ELECTROV.G.1/2GF 230V          |
| 007  |     | 533065700 | FITTING FOR WATER INPUT 1/2G        |
| 007  |     | 533148100 | RACC.A GOM.90° 1/2G F.M16X1,5M. (S  |
| 007  |     | 537063000 | ELETTROV.G.1/2GF-1/2GF 230V         |
| 007  |     | 539010900 | ADHESIVE LABEL FOR DRAIN COCK       |
| 007  |     | 533136001 | SCREW TAP WATER LOAD FOR CP S70/90  |
| 007  |     | 539012000 | ADHESIVE LABEL FOR DRAIN COCK USA   |
| 007  |     | 539018800 | BLANK INDEX FOR KNOB                |
| 007  |     | 539063600 | ADHESIVE DISK 72 FOR DRAIN COCK     |
| 007  |     | 539063700 | ADHESIVE DISK 72 FOR DRAIN COCK USA |
| 007  |     | 536034700 | KNOB §77 4P. §08*6,5 F§30           |
| 007  |     | 539054200 | STAMP Ø20,5 CR."L" LOTUS R.         |
| 007  |     | 531037601 | TAP FOR WATER 90°DX CP              |
| 007  |     | 533136000 | SCREW TAP WATER LOAD FOR CP S70/90  |
| 007  |     | 531037600 | TAP FOR WATER LOADING 1/2"GF CP 90  |