



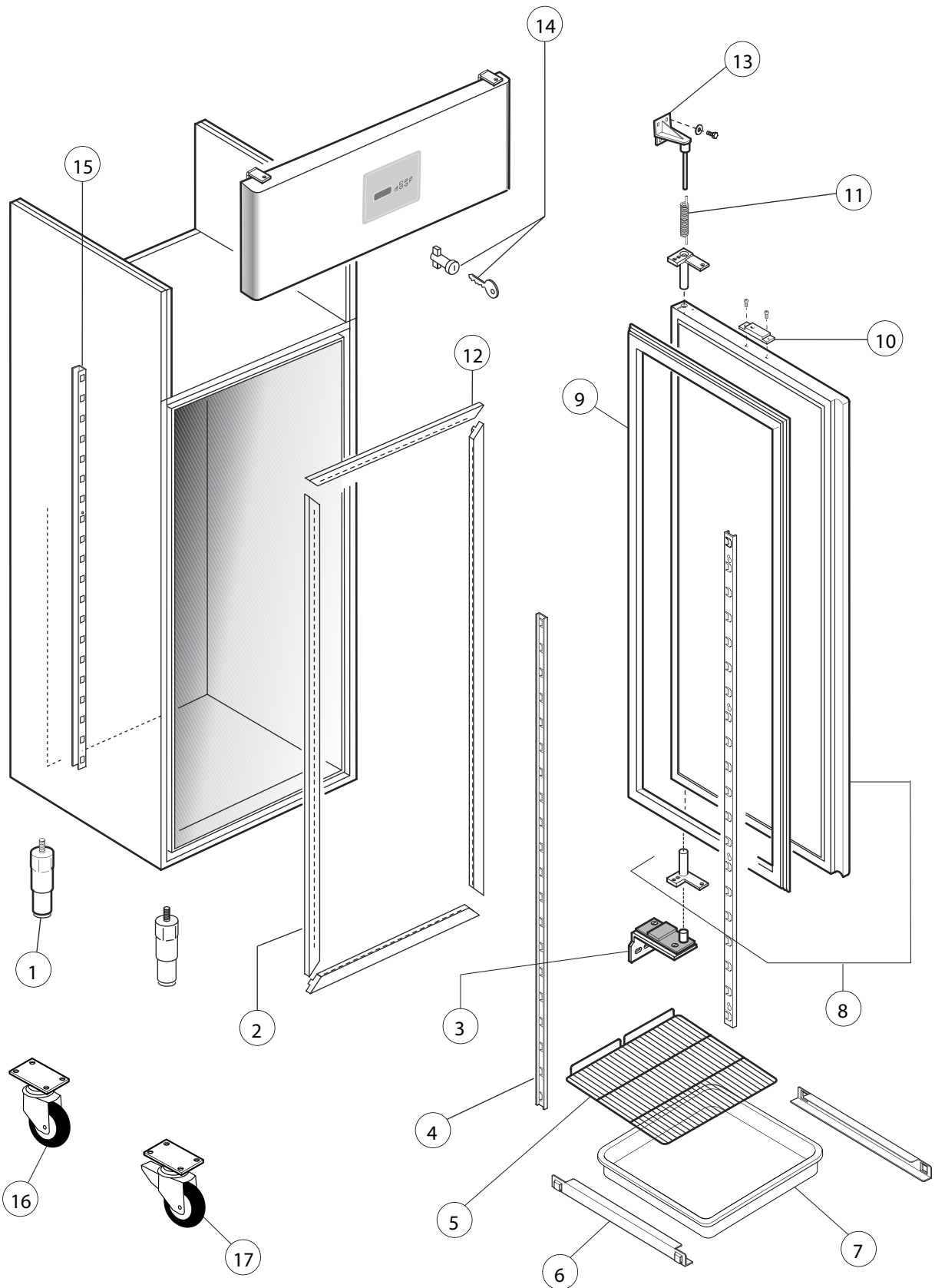
Kühlung Kühlschrank

Artikel-Nr.
621020 (BN2048001800)

Explosionszeichnung / Ersatzteile

Bitte bei Ersatzteilbestellung immer Artikelnummer und Seriennummer mit angeben!

Armadi • Refrigerators LINEAFUTURESTART

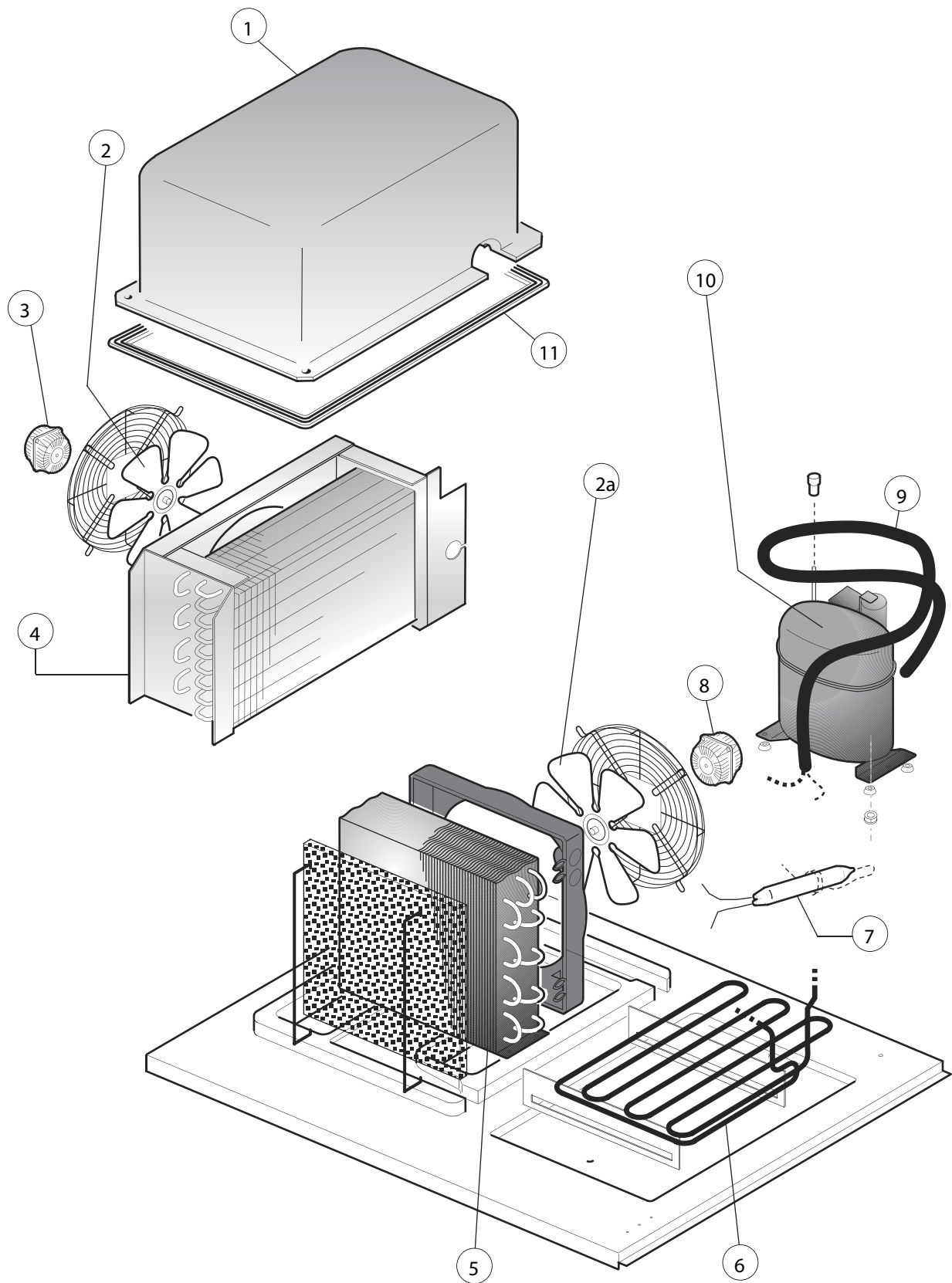


Table_A

EDITION 05 2014

621020 - 2048001-... S70TN

Armadi • Refrigerators LINEAFUTURE START

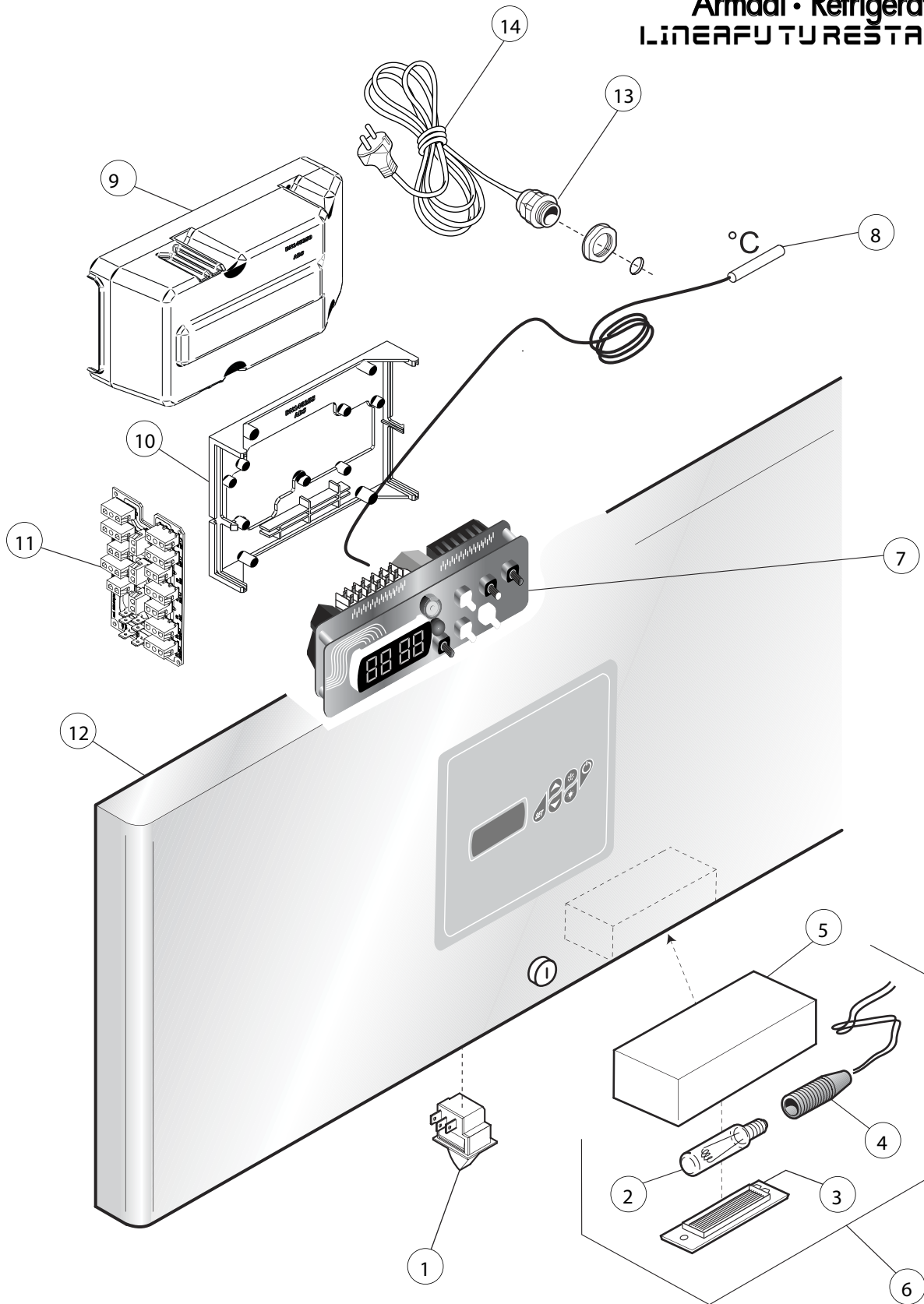


Table_B

EDITION 05 2014

621020 - 2048001-... S70TN

Armadi • Refrigerators LINEAFUTURESTART



Table_C

EDITION 05 2014

621020 - 2048001-... S70TN

Armadi - Refrigerators

LINEA FUTURE START

Table_A

POS.	CODE/CODICE	PIECES	DESCRIPTION	DESCRIZIONE	DATA
1	BN1467520	4	FEET	PIEDINO	
2	BN1471141546	2	VERTICAL PROFILE	PROFILO VERTICALE	
3	BN1484020	1	BOTTOM RIGHT HINGE	STAFFA INFERIORE DX	
4	BN33580192	1	FRONT RACK SUPPORT SX	REGGI GUIDE ANT. SX	
	BN33580193	1	FRONT RACK SUPPORT DX	REGGI GUIDE ANT. DX	
5	BN1440065530	3	GRILL	GRIGLIA	
6	FR1231190	6	SLIDE FOR BAKING DX/SX	GUIDA RIPIANO DX/SX	
7	BN1405011150	3	TRAY	BACINELLA	
8	BN32630611	1	DOOR ASSEMBLY	ASSIEME PORTA	
9	BN14415991560	1	DOOR GASKET	GUARNIZIONE PORTA	
10	FR4710901	1	LOCK SUPPORT MAGNET	SUPPORTO MAGNETE SERRATURA	
11	BN1412083	1	SPRING	MOLLA DX PORTA	
	BN1412084	1	SPRING	MOLLA SX PORTA	
12	BN1471140616	2	ORIZONTAL PROFILE	PROFILO ORRIZONTALE	
13	BN14850012	1	TOP RIGHT HINGE	STAFFA SUPERIORE DX	
14	FR6440320	1	LOCK	SERRATURA	
15	BN33580197	1	REAR RACK SUPPORT SX	REGGI GUIDE POST. SX	
	BN33580196	1	REAR RACK SUPPORT DX	REGGI GUIDE POST. DX	
16	BN147805	2	CASTOR WITHOUT BRAKE	RUOTA SENZA FRENO	
17	BN147806	2	CASTOR WITH BRAKE	RUOTA CON FRENO	

Table_B

POS.	CODE/CODICE	PIECES	DESCRIPTION	DESCRIZIONE	DATA
1	BN14250101	1	FOAMED COVER	CAMPANA	01/01/07 - 01/02/12
	BN14250150	1	POLYSTYRENE COVER	CAMPANA IN POLISTIROLO	02/02/12 - 31/12/99
2	BN1495200029	2	FAN	VENTOLA	
3	BN1648000513	1	EVAPORATOR MOTOR	MOTORE EVAPORATORE	01/01/07 - 01/02/12
	BN1648000516	1	EVAPORATOR MOTOR	MOTORE EVAPORATORE	02/02/12 - 31/12/99
4	BN14330570137	1	EVAPORATOR	EVAPORATORE	01/01/07 - 01/02/12
	BN14330570200	1	EVAPORATOR	EVAPORATORE	02/02/12 - 31/12/99
5	BN141622800030	1	CONDENSER	CONDENSATORE	01/01/07 - 01/02/12
	BN141622800032	1	CONDENSER	CONDENSATORE	02/02/12 - 31/12/99
6	BN14920707008	1	DUCT	TUBO SERPENTINA	01/01/07 - 01/02/12
	BN14920707019	1	DUCT	TUBO SERPENTINA	02/02/12 - 31/12/99
7	BN14354023	1	FILTER	FILTRO	
8	BN1648000512	1	CONDENSER MOTOR	MOTORE CONDENSATORE	
9	BN1480077002	1	EXCHANGER	SCAMBIATORE	01/01/07 - 01/02/12
	BN149278	1	EXCHANGER	SCAMBIATORE	02/02/12 - 31/12/99
10	BN141552210611	1	COMPRESSOR	COMPRESSORE	01/01/07 - 01/02/12
	FR6683100	1	COMPRESSOR	COMPRESSORE	02/02/12 - 31/12/99
11	BN14410080	1	FOAMED COVER GASKET	GUARNIZIONE CAMPANA	01/01/07 - 01/02/12

Table_C

POS.	CODE/CODICE	PIECES	DESCRIPTION	DESCRIZIONE	DATA
1	BN164603	1	DOOR MICROSWITCH	MICROINTERRUTTORE PORTA	
2	BN1640403	1	LAMP 10W	LAMPADA 10W	
3	BN164201	1	LAMP PROTECTION GLASS	VETRINO PROTEZIONE LAMPADA	
4	BN165705	1	BULB LAMP	PORTALAMPADA	
5	BN165706	1	BOX BULB LAMP	SCATOLA PORTALAMPADA	
6	BN32560570	1	LAMP ASSEMBLY	ASSIEME LAMPADA	
7	BN1681114	1	THERMOSTAT	TERMOSTATO	
8	BN167212	1	PROBE 1,5 MT	SONDA 1,5 MT	
9	BN148250	1	BOARD PROTECTION	PROTEZIONE SCHEDA	
10	BN148255	1	SUPPORT BOARD WIRING	SUPPORTO SCHEDA CABLAGGIO	
11	BN1610156	1	WIRING BOARD	SCHEDA CABLAGGIO	
12	BN33285650	1	DASHBOARD	CRUSCOTTO	
13	BN165930	1	CABLE PRESS	PRESSACAVO	
14	BN16101561	1	ELECTRIC SUPPLY CABLE	CAVO ALIMENTAZIONE	

EDITION 05 2014

621020 - 2048001-- - S*70TN