

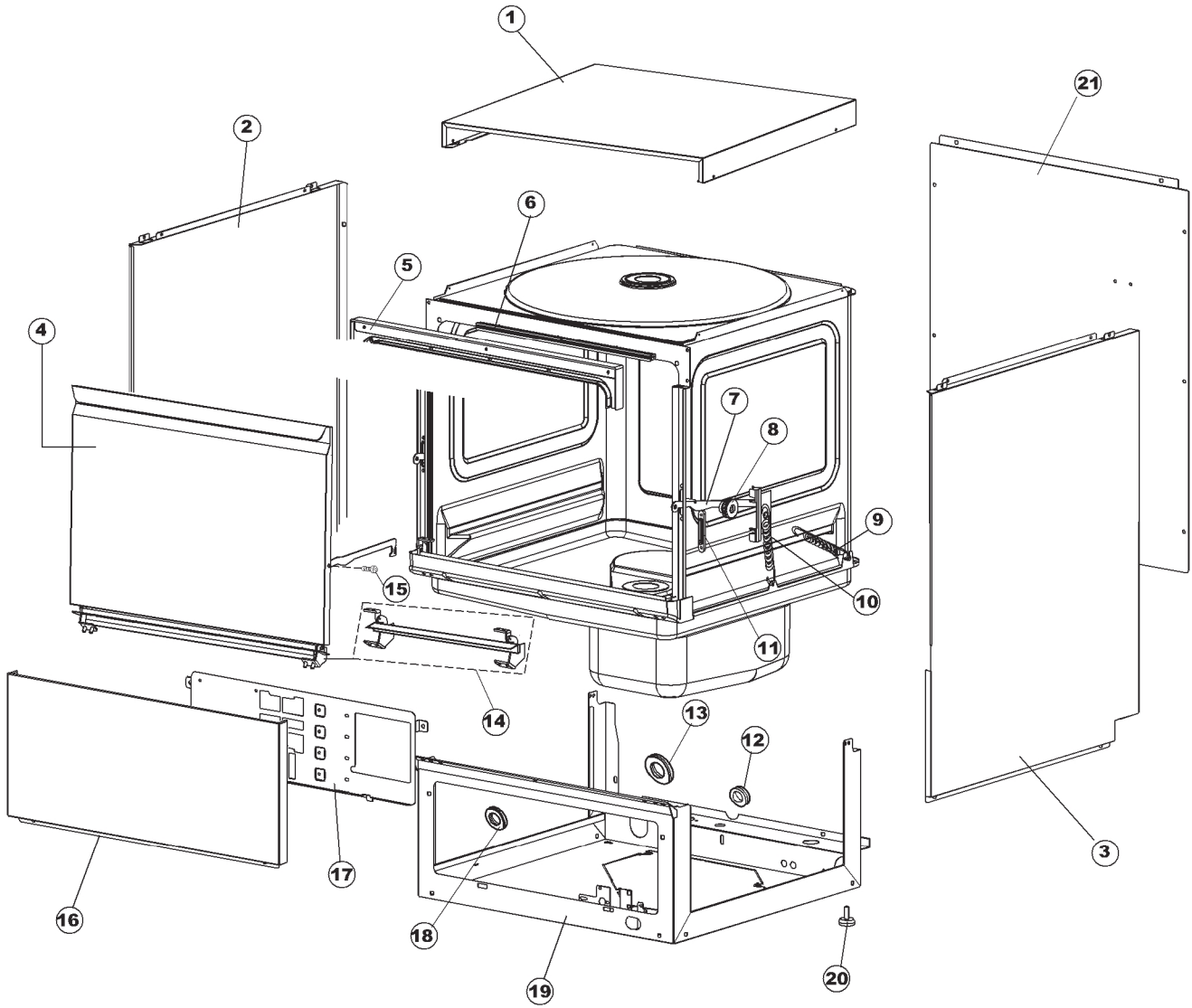


**SPARE PARTS CATALOGUE  
ERSATZTEILKATALOG  
CATALOGUE PIECES DETACHEES  
CATALOGO PARTI RICAMBIO  
CATALOGO DE PIEZAS DE RECAMBIO  
CATALOGO PEÇAS DE REPOSICAO**

**LS 521**

**22-06-2009**

# 1

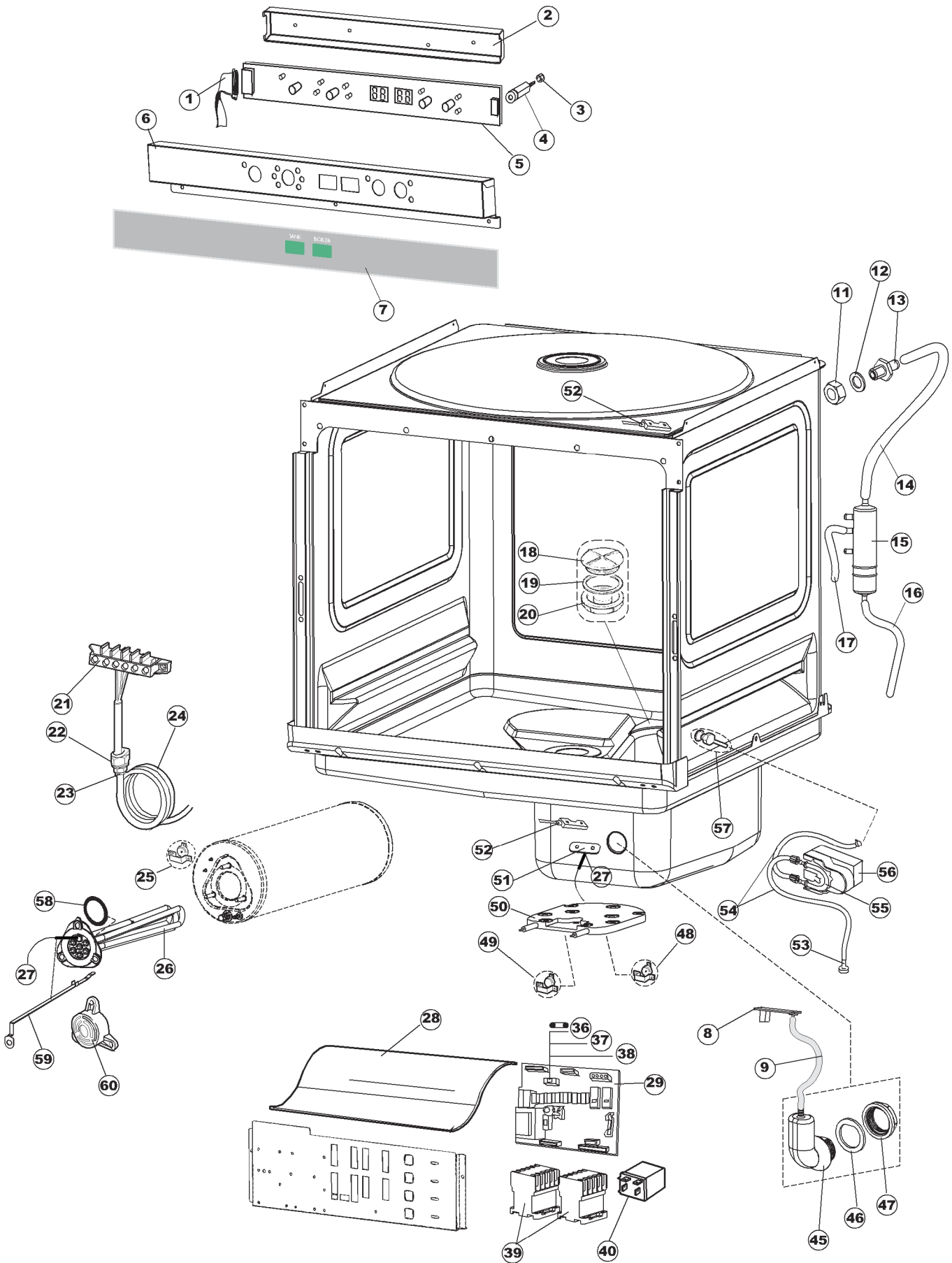


# Pagina 1

1	004113	CAPPELLO COLG.GOLD COVER GOLD GEHAELUSEDECKEL DESSUS	
2	021097	FIANCO SX.X5 SIDE PANEL LEFT SEITENWAND LINKS.X5 FLASQUE LATERALE GAUCHE X5	
3	021096	FIANCO DX.X5 SIDE PANEL RIGHT SEITENWAND RECHTS.X5 FLASQUE LATERALE DROITE X5	
4	029550	PORTA COMPLETA UGS520 BOBECK COMPLETE DOOR UGS520 BOBECK TUER KOMPLETT UGS520 BOBECK PORTE COMPLETE UGS520 BOBECK	
5	328082	FRONTALINO CIELO GRIGIO X5 DOOR FRAME X5 RAHMEN TUR MOD.X5 PARTIE FRONTALE X5	
6	437097	GIARNIZIONE PORTA RV50 PACKING DICHTUNG JOINT	
7	304024	ASTA PORTA X5 ROD STANGE TIGE	
8	499078	RULLO CLEAN 3 CLEAN 3 ROLLER ROLLE RULEAU CLEAN 3	
9	449049	MOLLA ASTA PORTA POST.I=130 CL.3 SPRING FEDER RESSORT	
10	449057	MOLLA PORTA RV54 SPRING FEDER RESSORT	
11	307012	GUIDA BATTUTA ASTA PORTA GRIGIO X5 DOOR STOPPER DRIVE TUR-STÖPSEL-ANTRIEB GUIDE TIGE PORTE	
12	459006	PASSACAVO D INT 9 D EST 16 CHOCK D INT 9 EST 16 LIPPKLAMPE D INT 9 D EST 16 CHAUMARD D INT 9 EST 16	
13	459004	PASSACAVO PER POMPA DI SCARICO THROUGH PIPE DURCH LEITUNG CHAUMARD POUR POMPE DE VIDANGE	
14	030157	GRUPPO DEFLETTORE ACQUA+CERNIERE X5 CLG. COMPLETE DOOR HINGE X5 GRUPPE WASSER DEFLEKTOR + SCHARNIER X 5 DEFLECTEUR	
15	486224	VITE TC SCREW TC SCHRAUBE TC VIS TC	
16	012275	FRONTALINO ESTERNO FRONT PANEL FRONTBLLENDE PANNEAU AVANT	
17	035062	STAFFA COMP. ELETTRICI X5 PIEG. SWITCHBOARD PLATE X5 PIEG. BUEGEL ELEKTRISCHE KOMPONENTEN BRIDE COMPOSANTS ELECTRIQUES X5 PLIE	

18	459020	PASSACAVO DK 18/22/27-1 X5 CABLEHOSE KABELDURCHFUEHRUNG PASSE-CABLE DK 18/22/27-1 X5	
19	040099	ZOCOLO X5 CPL. BASE X5 SOCKEL KOMPLETT SOCLE 5X CML	
20	461019	PIEDINO ESAGONALE REGOLABILE HEXAGONAL FOOT ADJUSTABLE SECHSKANTFUSS VERRIN HEXAGONAL REGLABLE	
21	022139	PANNELLO POSTERIORE X5 BACK PANEL X5 RUECKWAND X5 PANNEAU POST*RIEUR X5	

# 2



## Pagina 2

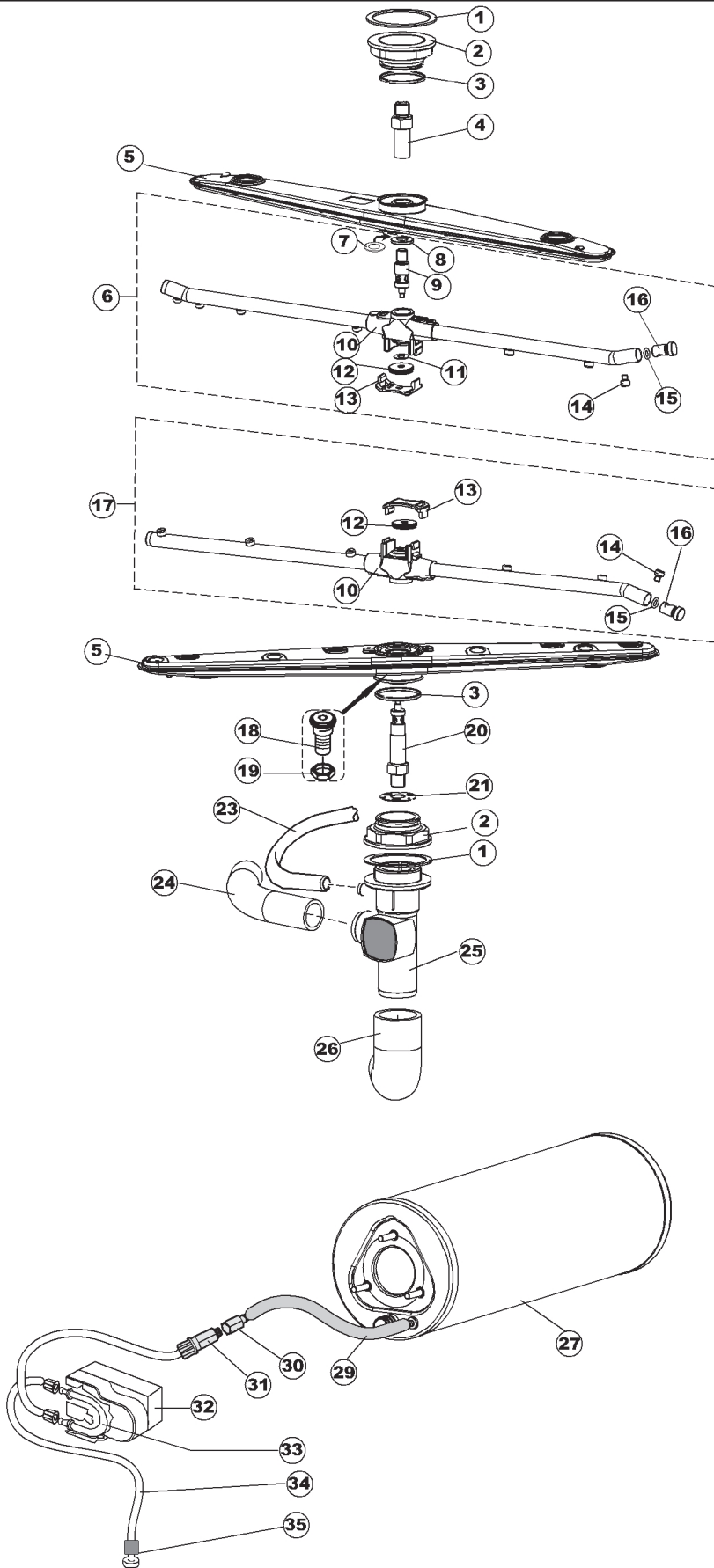
1	211013	CAVO FLAT 10 VIE X PULS.SOFT TOUCH GET 5 FLAT WIRE CABEL CABLE	
2	214104	PROTEZ.PULSANTIERA TERMOFORMATATA PLASTIC PROTECTION  PROTECTION PLASTIQUE	
3	417119	DADO M3 PLASTICA BIANCO NUT M3 NYLON MUTTER M3 NYLON ECROU M3 NYLON	
4	419036	DISTANZIALE M3 INTERFACE BOARD DISTANCE KEEPERS ABSTANDSROHR ENTRETOISE X CARTE ELECTRONIQUE	
5	227084	PULSANTIERA 4 TASTI 2 DISPLAY X GET50 PUSH BUTTONS ASSEMBLY TASTENFELD TABLEAU DE PUSOIR	
6	025888	PANNELLO COMANDI INOX UGS520 BOBECK CONTROL PANEL UGS520 BOBECK FRONTBLLENDE UGS520 BOBECK PANNEAU ARRIERE BOBECK	
7	026075	MASCHERINA POLIESTERE RIVER 54 POLYESTERE CONTROL PANEL RIVER 54 FRONTBLLENDE PANNEAU AVANT	
8	224018	PRESSOSTATO ANALOGICO(SCHEDINA)LA50 PRESSURE SWTCH LA50 DRUCKWAECHTER LA50 PRESSOSTAT LA50	
9	143253	TUBO SILICONE 3X8 SILICON PIPE 3X8 SILIKONSCHLAUCH 3X8 TUYAU SILICONE 3X8	
11	H.602493	DADO M10 INOX A2 UNI5588 NUT MUTTER ECROU	
12	437099	GUARNIZIONE GOMMA D10.5 RUBBER GASKET D10.5 GUMMIDICHTUNG D10.5 JOINT EN CAOUTCHOUC D10.5	
13	468193	RACCORDO SFIATO DOPPIO RV54	
14	H.165168	TUBO PVC 6X9 CRISTAL TRASP. RAUCLAIR PVC PIPE PVC SCHLAUCH TUYAU PVC	
15	144018	SERBATOIO SOFT START BREAK TANK "SOFT START" BEHAELTER "SOFT START" RESERVOIR "SOFT START"	
16	143028	TUBO PVC 4x7 CRISTAL TRASPARENTE PIPE SCHALUCH TUYAU	
17	H.165178	TUBO PVC 5X8 CRUSTAL TRASPARENTE PVC PIPE PVC SCHLAUCH TUYAU PVC	
18	480006	TAPPO SEDE BOCCIA SALE SEAT CAP FOR SALT CONTAINER SITZPROPFEN DES SALZBEHALETERS BOUCHON SIEGE BOL A SEL	

19	437034	GIARNIZIONE D68D81 S3 IN GOMMA PER BOCCI RUBBER GASKET D68D81 S3 FOR SALT CONTAIN GUMMIDICHTUNG D68D81 S3 FUER SALZ- BEHAE JOINT EN CAOUTCHOUC D68D81 S3 POUR BOL A	
20	429012	GHIERA PER FORO BOCCIA SALE SALT CONTAINER HOLE LOCKING NUT GEWINDERING FUER LOCH DES SALZBEHALTERS DOUILLE POUR TROU BOL A SEL	
21	220011	MORSETTIERA 5 POLI CON MORSETTO DI MESSA 5 POLES TERMINAL BOARD WITH EARTHING TER FUENFPOLIGE KLEMMLEISTE + ERDUNGSKLEMMME PLAQUE A BORNE 5 POLES AVEC BORNE DE TER	
22	H.324304-6	PASSACAVO PG21 CORE HITCH LIPPKLAMPE PASSE-CABLE PG21	
23	417123	CONTRODADO PL.PG2104.36(168455) SHAFT FIXING COUNTERNUT BEFEST.GEGENMUTTER WELLE CONTRE-ÉCROU DE FIXATION	
24	H.374339-2	CAVO MACCHINA H07RN-F 5X2.5X3.0MT CABLE H07RN-F 5X2.5X3.0MT MASCHINE KABEL H07RN-F 5X2.5X3.0MT CABLE MACHINE H07RN-F 5X2.5X3.0MT	
25	236047	TERMOSTATO VASCA SICUREZZA 95°C SAFETY TANK THERMOSTAT 95°C SICHERHEITS-TANKTHERMOSTAT 95°C THERMOSTAT CUVE SECURITE 95°C	
26	230111	RESISTENZA 4900W 230/400V HEATING ELEMENT 4900W 230/400V HEIZUNG 4900W 230/400V RESISTANCE 4900W 230/400V	
27	231014	SONDA TEMPERATURA GET-5 TEMP. PROBE KUGEL SONDE	
28	214108	PROTEZIONE TRASPARENTE PER IMPIANTO TRANSPARENT PROTECTION FOR ELECTRIC DURCHSICHTIGER SCHUETZ FUER ELEKTRISCHE PROTECTION TRANSPARENTE POUR INSTALLA-	
29	215032	SCHEDA ELETTRONICA GET50 MAIN BOARD KARTE CARTE ELECTRONIQUE	
36	228004	FUSIBILE 5X20 4A FAST FUSE SICHERUNG FUSIBLE	
37	228011	FUSIBILE 5X20 T2A FUSE SICHERUNG FUSIBLE	
38	228012	FUSIBILE 5X20 T100MA FUSE SICHERUNG FUSIBLE	
39	229037	CONTATTORE QUADRIPOLE X5 22A CONTACTOR KONTAKTGEBER CONTACTEUR	
40	229029	RELE A1-230AC-L RELAY A1-230AC-L RELAIS A1-230AC-L RELAIS A1-230AC-L	
45	107012	CAMPANA PRESSOSTATO (L) RV40-50-CAPOTE AIR TRAP WINDKESSEL PRISE D'AIR	
46	437098	GIARNIZIONE NUOVA CAMP.PRESS. PACKING FOR AIR TRAP OF PRESSURE SWITCH DICHTUNG FUER WINDKESSEL DES DRUECKSWAEC JOINT PRISE D'AIRE PRESSOSTAT	

47	417120	DADO PLASTICA GRIGIO PLASTIC NUT KUNSTSTOFFMUTTER 1-1/4 ECROU EN PLASTIQUE	
48	236053	TERM.CONTATTO VASCA/S. 200° (X5) THERMOSTAT THERMOSTAT THERMOSTAT	
49	236056	TERM.CONTATTO VASCA/L.125°(16A)RV54 THERMOSTAT THERMOSTAT THERMOSTAT	
50	999206	KIT RESIST.VASCA RV.50+PASTA CONDUTTIVA TANK ELEMENT KIT WIDERSTAND RESISTANCE+PASTE CONDUCTIVE	
51	028105	PIASTRINA FERMA SONDA FIXING PLATE PLATCHEN PLAQUETTE FISSAGE	
52	211002	CONTATTO MAGNETICO MAGNETIC DOOR SWITCH TUERKONTAKTSCHALTER CONTACTE MAGNETIQUE	
53	121075	FILTRO PER POMPA DETERGENTE DETERGENT PUMP FILTER (S6754) SIEB FUER SPUELMITTELpumpe FILTRE POUR POMPE DETERGENT	
54	143194	TUBO TRASPARENTE 4X6 TRANSPARENT HOSE 4X6 DURCHSICHTIGES ROHR 4X6 TUYAU TRANSPARENT 4X6	
55	143219	TUBETTO SANTOPRENE 6X10 TUBE 6X10 FLASCHEN 6X10 TUBE 6X10	
56	209021	DOSAT.PERIST.DETERGENTE REG.	Optional
57	468151	RACCORDO IN ACCIAIO INOSSIDABILE DI ENTR STAINLESS STEEL INLET DETERGENT ELBOW, A ANSCHLUSSSTUECK AUS NICHTROSTENDEM STAHL RACCORD EN ACIER INOXYDABLE ENTREE' DETE	
58	456002	O-RING PER RESISTENZA BOILER O-RING FOR BOILER RESISTANCE (S6218) O-RING FUER HEIZUNG DES WARMWASSER- BERE O-RING RESISTANCE SURCHAUFFEUR	
59	69871	PORTASONDA PROBE HOLDER SONDENHALTER PORTE-SONDE	
60	69870	PROTEZIONE RESISTENZA BOILER BOILER HEATING ELEMENT PROTECTION HEIZUNGSCHUETZ DES WARMWASSERBEREITERS PROTECTION RESISTANCE BOILER	



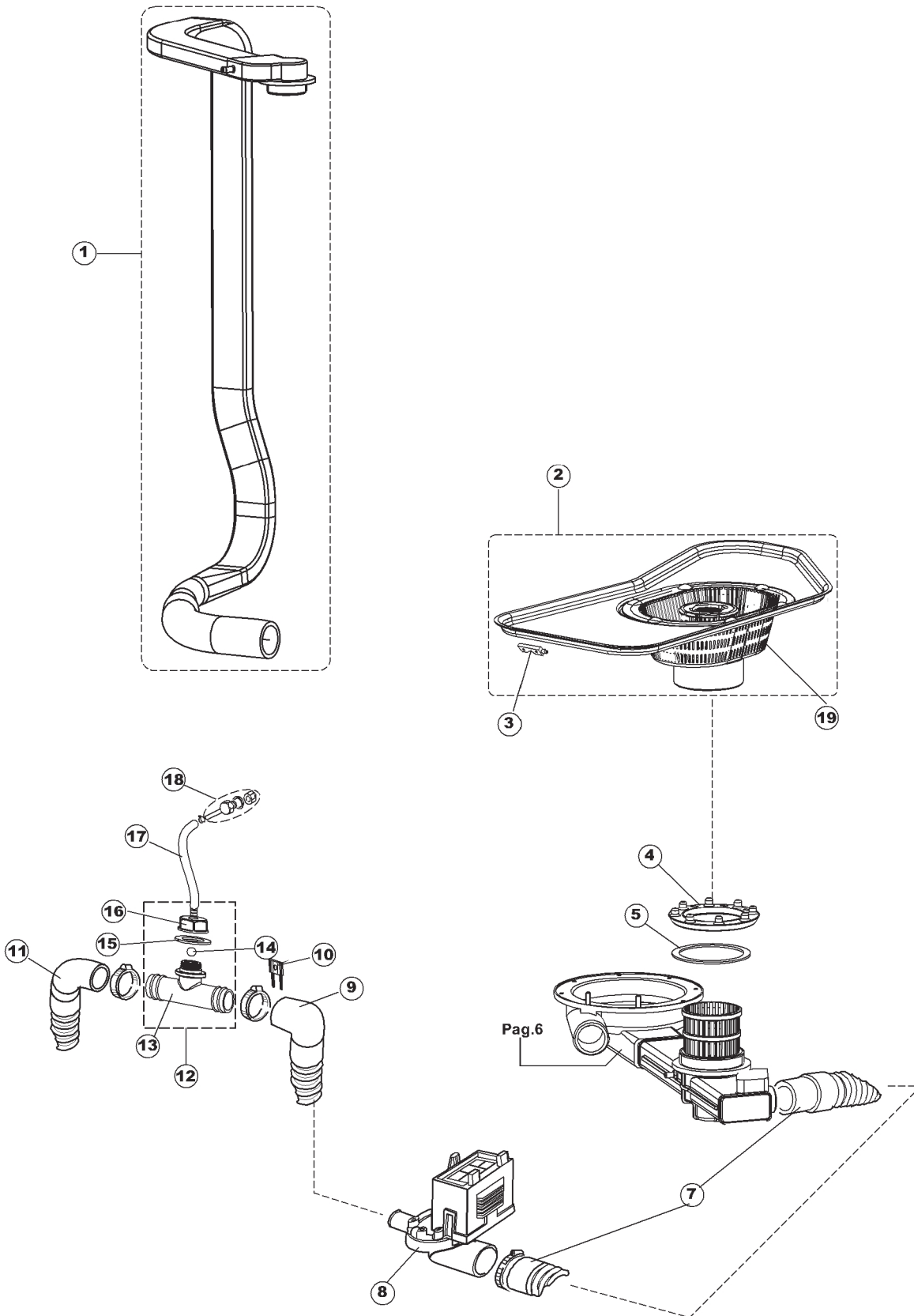
# 3



## Pagina 3

1	437079	GUARNIZIONE CORPO INFERIORE PER LAVABIC LOWER BODY GASKET FOR GLASSWASHERS DICHTUNG DES KOERPERS -UNTEN- FUER GLAES JOINT CORPS INFERIEUR LAVE-VERRES	
2	429069	GHERA COND.CENTRALE X5 RING NUT GEWINDERING DOUILLE	
3	303032	ANELLO INOX DI TENUTA LAVAGGIO X5 INOX RING TEILERPLATTE BAGUE	
4	325070	PROLUNGA PERNO RISC.SUP.X5 PROFILE VERLAENGERUNGSTUECK PIVOT PROLONGUE	
5	990107	GR. PETTINE LAVAGGIO X5 NEWWASH BOSS ASSEMBLY SPUELARM KOMPL. GROUPE RAMPE LAVAGE X5	
6	993051	GR. RISCIACCO SUP. RIVER 48 RINSE ARM ASSEMBLY RIVER 48 NACHSPUELGRUPPE RIVER 48 RAMPE SUP. RIVER 48	
7	437090	GUARNIZIONE D9.3D22S1.0 PTFE PACKING DICHTUNG JOINT	
8	472068	RONDELLA FILETTATA D22 PERNO RISC.X5 WASHER SCHEIBE RONDELLE	
9	325071	PERNO RISC.SUP.X5 PIVOT ZAPPEN PIVOT	
10	129054	CORPO PETTINE RISCIACCO.X5 ARM BODY KOERPER DES NACHSPUELARMES CORPS BRAS	
11	437091	GUARNIZIONE D6D13S0.5 PTFE PACKING DICHTUNG JOINT	
12	454005	NOTTOLINO TORNITO D21.5 PIN ZAPPEN PIVOT	
13	412029	FERMO DI SICUR.NOTTOLINO X5 PIN SAFETY STOPPER SICHERHEITSVERRIEGELUNG X5 FERMATURE PIVOT	
14	140019	SPRUZZATORE DI RISCIACCO PER LAVASTOVIG RINSE NOZZLE FOR DISHWASHERS MOD D18 G25 NACHSPUELUNGSDUESE FUER GESCHIRRSPUELER VAPORISATEUR DE RINCAGE POUR LAVE- YAISS	
15	456060	OR 2025 O-RING 2025 O-RING 2025 JOINT THORIQUE 2025	
16	926132	TAPPO PL X BRACCIO DI RISC.(DWT312) PLASTIC RINSE ARM CAP ZAPPEN EMBOUT EN PLASTIQUE POUR RAMPE DE RINC.	
17	993052	GR. RISCIACCO INF. RIVER 48 RINSE ARM ASSEMBLY RIVER 48 NACHSPUELGRUPPE RIVER 48 RAMPE RINCAGE INF. RIVER 48	

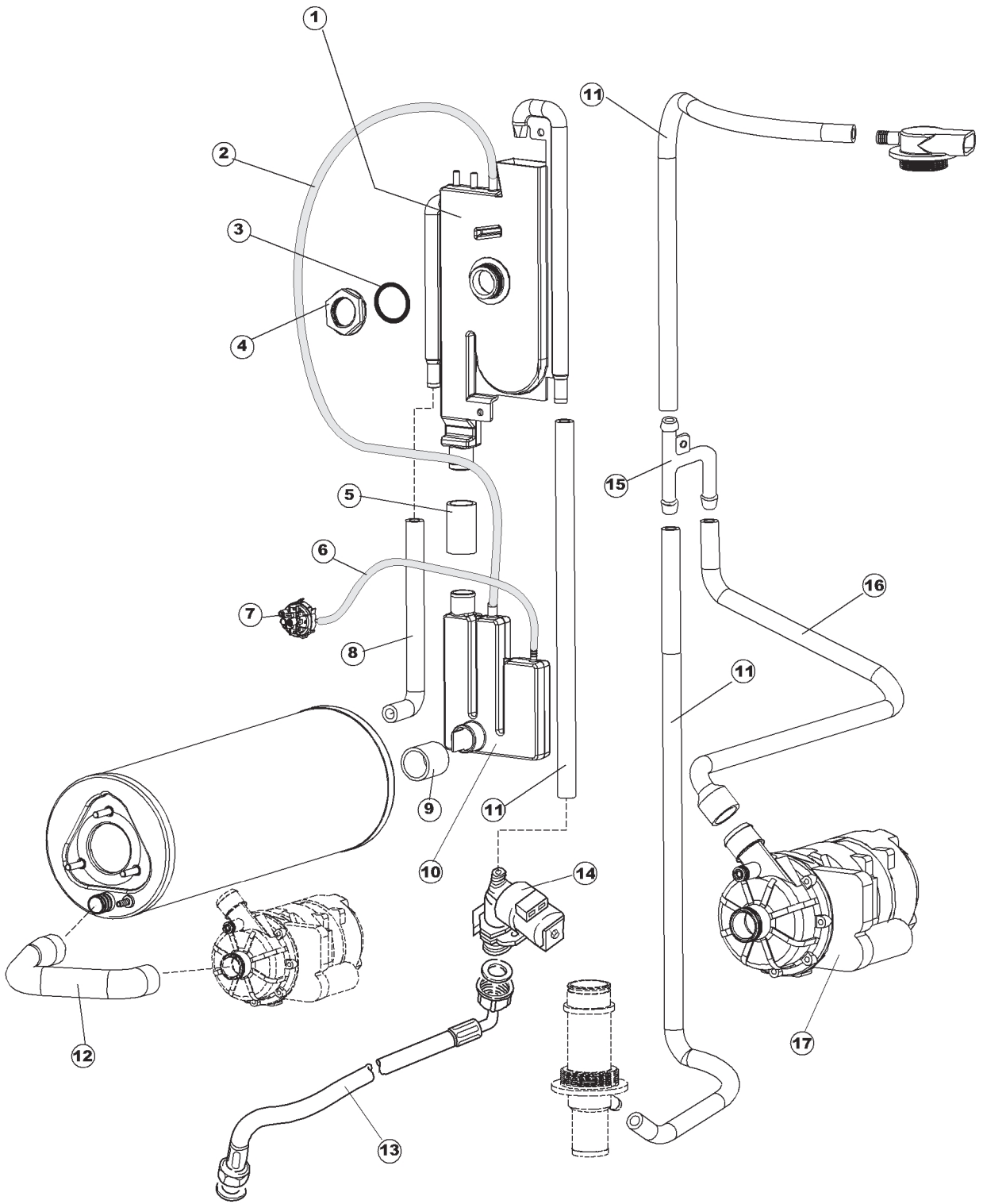
18	417111	BUSSOLA PETTINE LAV. X5 UNION NUT WASH X5 OBERE SPUELROHRBEFESTIGUNG X5 MANCHON	
19	308031	GHIERA BUSSOLA LAVAGGIO X5 WASH LOCKNUT RING ANNEAU	
20	325069	PERNO PETTINE LAV. RISC. INF. X5 PIVOT ZAPFEN PIVOT	
21	199053	DISCO PARZIALE ACQUA X5 FLOW REDUCER DRUCKVERTEILERPLATTE DISQUE REDUCTEUR	
23	143004	TUBO PRESSIONE TP 10X17 PIPE SCHALUCH TUYAU	
24	127065	MANICOTTO LAVAGGIO SUP. X5 SLEEVE MUFFE DURITE	
25	115118	CONDOTTO CENTR. INF. RV54+TAPPO LOWER CENTRAL WASH-PIPELINE+CAP ZENTRALWASCHLEITUNG -UNTEN + DECKEL CONDUITE CENTRALE INFERIEURE+BOUCHON	
26	127064	MANICOTTO LAVAGGIO INF. X5 SLEEVE MUFFE DURITE	
27	104061	BOILER CRP LA50 BOILER CRP BOILER CRP SURCHAUFFEUR CRP	
29	143005	TUBO IN GOMMA TELATA 5X12 NERO LINEN RUBBER PIPE 5X12 - BLACK SCHLAUCH AUS LINENGUMMI 5X12 - SCHWARZ TUYAU EN CAOUTCHOUC LIN 5X12 NOIR	
30	468201	RACCORDO CALZATUBO PER INIEZ. BRILL. CONNECTION ANSCHLUSS RACCORD	
31	468200	RACCORDO ACCIAIO INOX AISI316 1/8" STAINLESS STEEL CONNECTION AISI316 1/8" ANSCHLUSSSTUECK AUS NICHTROSTENDEM STAHL RACCORD EN ACIER INOXYDABLE 1/8"	
32	209024	DOSAT PERIST. BRILLANTE NON REG. PERISTALTIC DISPENSER PERISTALTISCHES DOSIERGERAET DOSEUR PERISTALTIQUE	
33	143251	TUBETTO SILICONE 6X10 RACCORDI+GHIERE TUBE 6X10 FLASCHEN 6X10 TUBE 6X10	
34	H.775601	TUBO 4x6 CRISTAL BLUE (FX NUOVA) BLUE HOSE 4X6 LEITUNG 4x6 CRISTAL BLUE TUYAU 4x6 CRISTAL BLUE	
35	121075	FILTRO PER POMPA DETERSIVO DETERGENT PUMP FILTER (S6754) SIEB FUER SPUELMITTELPUEMPE FILTRE POUR POMPE DETERGENT	



## Pagina 4

1	115139	CONDOTTA LAV. EST. PL. X5 CON MANICOTTO EXTERIOR WASH PLASTIC PIPE X5 WASCHLEITUNG AUSSEN PL. X5 CONDUITE LAVAGE EXT. PL. CPL X5	
2	121114	FILTRO VASCA X5 CON IMP. CHIUSA CPL. TANK STRAINER SIEB FILTRE	
3	217003	MAGNETE M302AFO MAGNET MAGNET AIMANT	
4	429068	GHIERA FISSA COLLETTORE X5 RING NUT GEWINDERING DOUILLE	
5	437087	GUARNIZ. GOMMA CONDOTTO ASP. X5 PACKING DICHTUNG JOINT	
7	127086	MANICOTTO ASPIRAZ. POMPA SC. RV54 DRAIN PUMP INLET HOSE ANSAUGSCHLAUCH UMWÄELZPUMPE DURITE ASPIR. POMPE VIDANGE	
8	130123	POMPA DI SCARICO PER MOD. D18 - G25 DRAIN PUMP FOR MOD. D18-G25 (S6273) ABFLUSSPUMPE FUER MOD. D18-G25 POMPE DE VIDANGE POUR MOD. D18-G25	
9	127077	MANICOTTO P.S. - VALVOLA DI SFIATO SLEEVE MUFFE DURITE	
10	423013	FASCETTA 360x4.5M CLAMP 360X4.45M SCHELLE 360X4.5M COLLIER 360X4.5M	
11	143137	TUBO SCARICO D18 TERMINALE CURVO DRAIN HOSE D18 FOR CURVED TERMINAL (S626) AUSFLUSSSCHLAUCH D18 - GEBOGENES ENDE TUYAU DE VIDANGE D18 - TERMINAL COURBE	
12	144994	GR. VALVOLA DI SFIATO X PS CRP DRAIN PUMP VENT VALVE CRP LUFTLOCH-VENTIL DER ABFLUSSPUMPE CRP SOUPAPE DE SOUPIRAL POMPE DE VIDANGE	
13	144024	VALVOLA SFIATO A(T)P/SCARICO INT. VASCA VENT VALVE LUFTLOCH-VENTIL SOUPAPE DE SOUPIRAL	
14	476008	SFEROA VALVOLA LA50. HOST	
15	437083	GLIARNIZIONE GOMMA D32D19.5S1.5 GASKET DICHTUNG JOINT	
16	468198	RACCORDO VALVOLA SFIATO LA50 CONNECTION LA50 ANSCHLUSSSTUECK LA50 RACCORD LA50	
17	143028	TUBO PVC 4x7 CRISTAL TRASPARENTE PIPE SCHALUCH TUYAU	
18	468151	RACCORDO IN ACCIAIO INOSSIDABILE DI ENTR STAINLESS STEEL INLET DETERGENT ELBOW, A ANSCHLUSSSTUECK AUS NICHTROSTENDEM STAHL RACCORD EN ACIER INOXYDABLE ENTREE' DETE	

19	121113	RACCOGLITORE FILTRO X5 CON IMP.CHIUSA FILTER BOX FILTER BINDER RAMASSEUR FILTRE	
----	--------	--	--

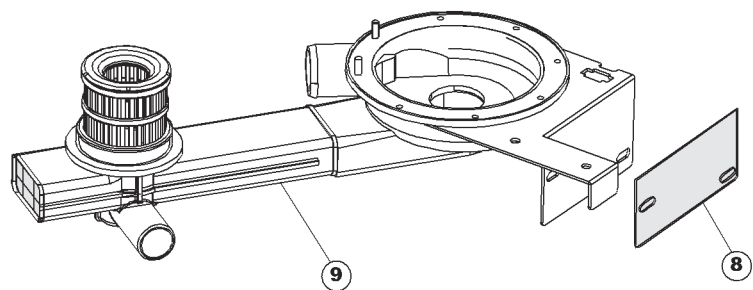
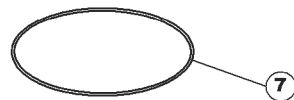
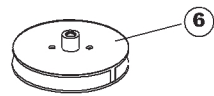
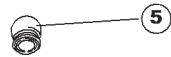
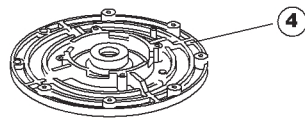
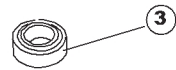
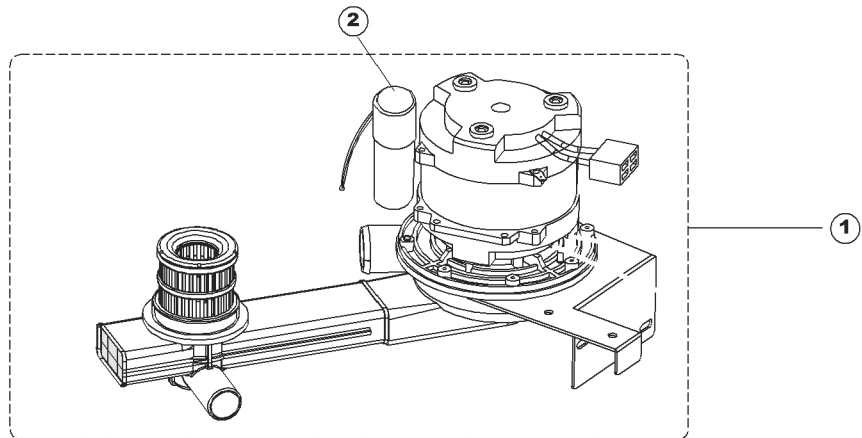


## Pagina 5

1	144021	AIRGAP SPECIALE LA50 PLASTIC AIRGAP AIR GAP GEOFFNETER BEHAELTER AIRGAP SPECIAL LA50	
2	H.165168	TUBO PVC 6X9 CRISTAL TRASP. RAUCLAIR PVC PIPE PVC SCHLAUCH TUYAU PVC	
3	437104	GUARNIZIONE D45D33S2 EPDM 70SH RUBBER GASKET DICHTUNG JOINT	
4	417125	DADO IN PLAST.CON COLLARE(171571) NUT MUTTER ECROU	
5	127096	MANICOTTO BREAK TANK->SISTEMA CRP LA50	
6	143235	TUBO 4X7 SILICONE TRASPARENTE CRP SYLICON PIPE (4x7) SCHLAUCH AUF SILIKON TUBE EN SILICONE	
7	224024	PRESSOSTATO 35/22 PRESSURE SWTCH 35/22 DRUCKWAECHTER 35/22 PRESSOSTAT 35/22	
8	127098	MANICOTTO SFIATO BOILER CRP->BT COUPLING LA50 MUFFE LA50 MANCHON LA50	
9	127095	MANICOTTO BOILER->SISTEMA CRP	
10	144027	SISTEMA CARICAMENTO CRP PLASTIC AIRGAP AIR GAP GEOFFNETER BEHAELTER	
11	143004	TUBO PRESSIONE TP 10X17 PIPE SCHALUCH TUYAU	
12	69068	MANICOTTO ASPIRAZ.CRP LA50 INTAKE COUPLING LA50 SAUGMUFFE LA50 MANCHON D'ASPIRATION	
13	143170	TUBO DI CARICO PER LAVABICCHIERI CHARGING PIPE FOR GLASSWASHERS ZULAUFSCHLAUCH FUER GLAESERSPUELER TUYAU DE CHARGEMENT POUR LAVE-VERRES	
14	240018	ELETTRVALVOLA DI CARICO - 1 VIA CRP ONE-WAY "CRP" FILL SOLENOID VALVE "CRP" WASSERZUFUHR-EINWEGMAGNETVENTIL ELECTROVANNE D'ALIMENTATION "CRP"	
15	143173	GIUNZIONE DI RISCIAQUO Y-JUNCTION RINSE MANIFOLD Y-STUECK RACCORD DE RINCAGE	
16	127097	MANICOTTO MANDATA POMPA CRP->H PUMP DELIVERY COUPLING CRP-H DRUCKMUFFE PUMPE CRP-H MANCHON DE REFOULEMENT POMPE CRP-H	
17	80627	ELETTROPOMPA 200W 230V-1PH-50HZ PUMP PUMPE POMPE	



# 6



## Pagina 6

1	130987	GRUPPO POMPA RV54 + COLLETT.ASP.810W PUMP ASSEMBLY PUMPEN MOTOPOMPE + COLLECTEUR	
2	206004	CONDENSATORE 16MF PER POMPA LAVAGGIO WASH PUMP CAPACITOR 16MF KONDENSATOR 16MF FUER WASCHPUMPE CONDENSEUR 16MF POUR POMPE DE LAVAGE	
3	314001	CUSCINETTO PER POMPA DI LAVAGGIO PER WASH-PUMP BEARING FOR DISHWASHER WASCHPUMPELAGER FUER GESCHIRRSPUELER COUSSINET POUR POMPE DE LAVAGE POUR	
4	315027	FLANGIA POMPA X5 FLANGE FLANSCH BRIDE	
5	141007	TENUTA MECCANICA PER POMPA DI LAVAGGIO P WASH PUMP SHAFT SEAL FOR GLASSWASHER MECHANISCHE DICHTUNG FUER WASCHPUMPE DER ETANCHEITE' DE LA POMPE DE LAVAGE POUR	
6	124052	GIRANTE POMPA X5 IMPELLER PUMPENFLUEGEL TURBINE	
7	456067	OR 3475 MOTORE O-RING O-RING JOINT TORIQUE	
8	437089	GUARNIZ.GOMMA STAFFA POMPA X5 RUBBER GASKET PUMP FLASK X5 DICHTUNG X5 JOINT EQUERRE POMPE X5	
9	111034	COLLETTORE ASP.+ CALOTTA RV54 MAINFOLD ZULAULEITUNG COLLECTEUR	