
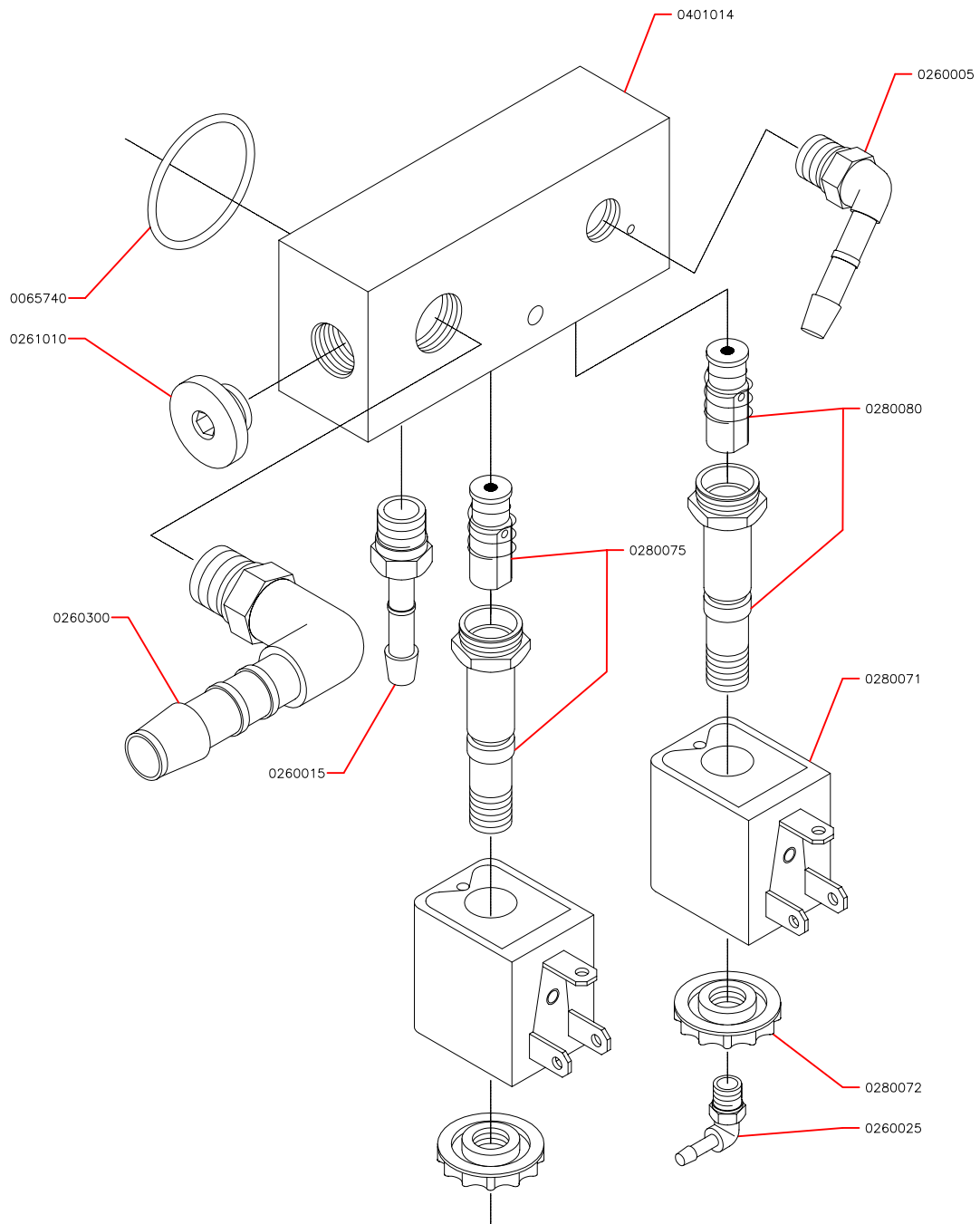
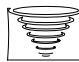
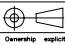
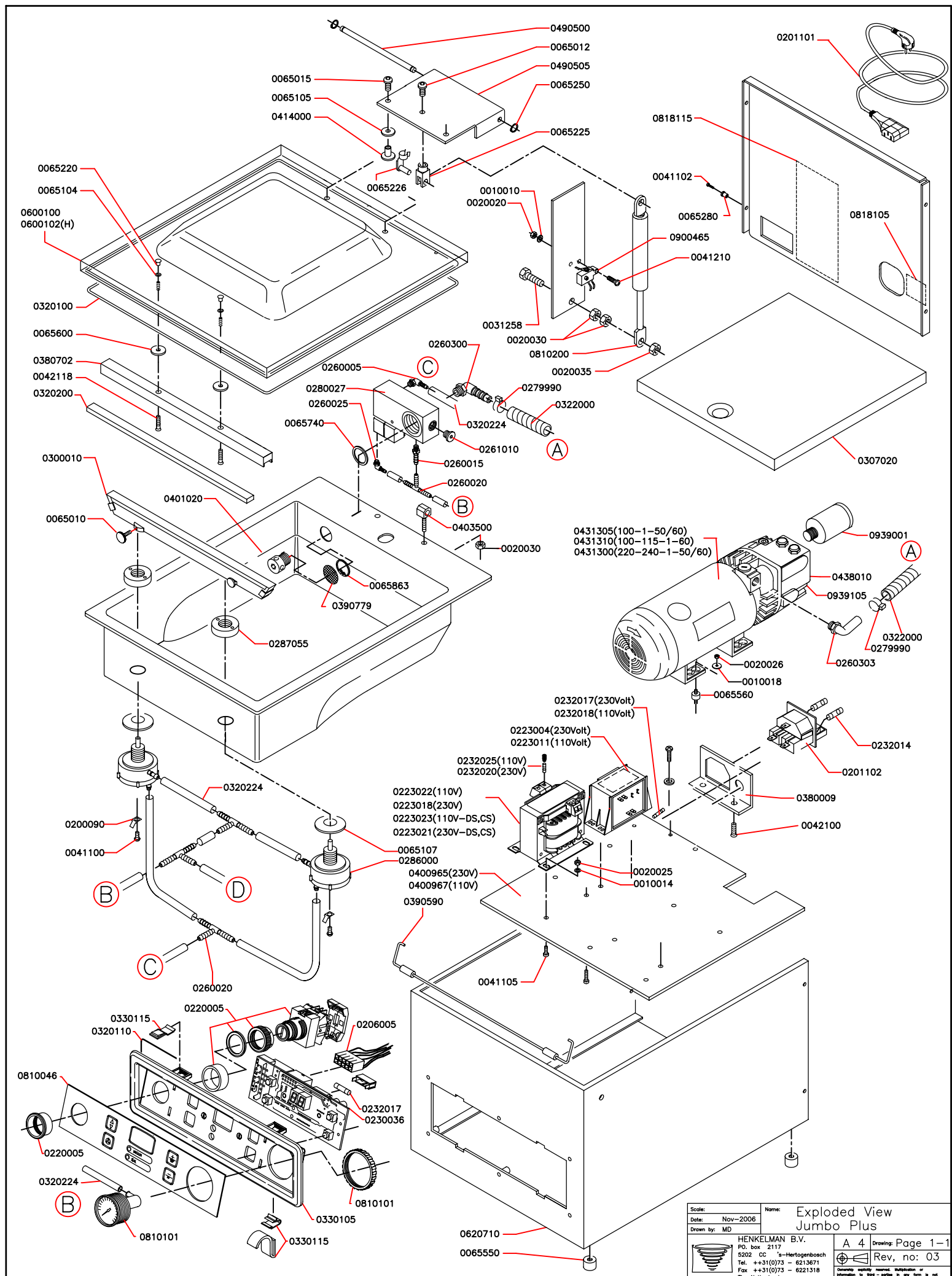


Scale:	Name:	Exploded View	
Date: July 2002	Seal bar Mini Jumbo & Jumbo Plus		
Drawn by: MD			
 HENKELMAN B.V. P.O. box 2117 5202 CC 's-Hertogenbosch Tel. ++31(0)73 - 6213671 Fax ++31(0)73 - 6221318 The Netherlands	A 4	Drawing: Page 1-1	
	Rev. no: 01		
	<small>Copyright: explicitly reserved. Multiplication or information to third parties in any form is not permitted without written permission of the owner.</small>		



Scale:	Name:	Exploded View	
Date: Dec 2004	Valve unit Jumbo Plus		
Drawn by: MD			
 HENKELMAN B.V. P.O. box 2117 5202 CC 's-Hertogenbosch Tel. ++31(0)73 - 6213671 Fax ++31(0)73 - 6221318 The Netherlands	A 4	Drawing: Page 1-1	
	 Rev. 01 <small>Ownership: explicitly reserved. Multiplication or information to third parties in any form is not permitted without written permission of the owner.</small>		



Scale:	Date:	Name:
	Nov-2006	Exploded View Jumbo Plus
Drawn by: MD		
HENKELMAN B.V. P.O. box 2117 5202 CC 't Hartogenbosch Tel. ++31(0)73 - 6213671 Fax ++31(0)73 - 6221318 The Netherlands		A 4 Drawing: Page 1-1 Rev. no: 03

Ownership explicitly reserved. Multiplication or dissemination by third parties in any form is not permitted without written permission of the owner.