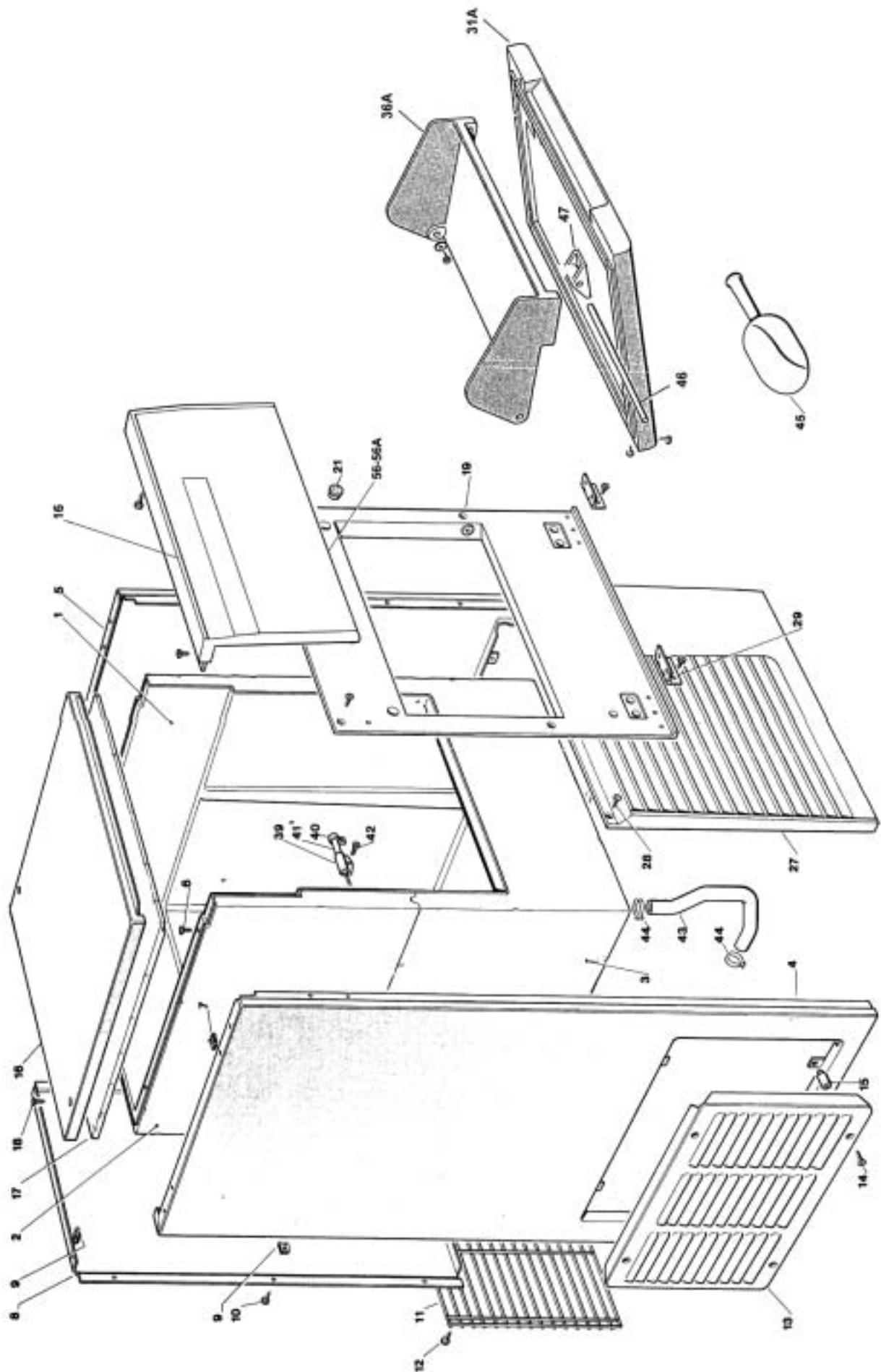


# SCOTSMAN®

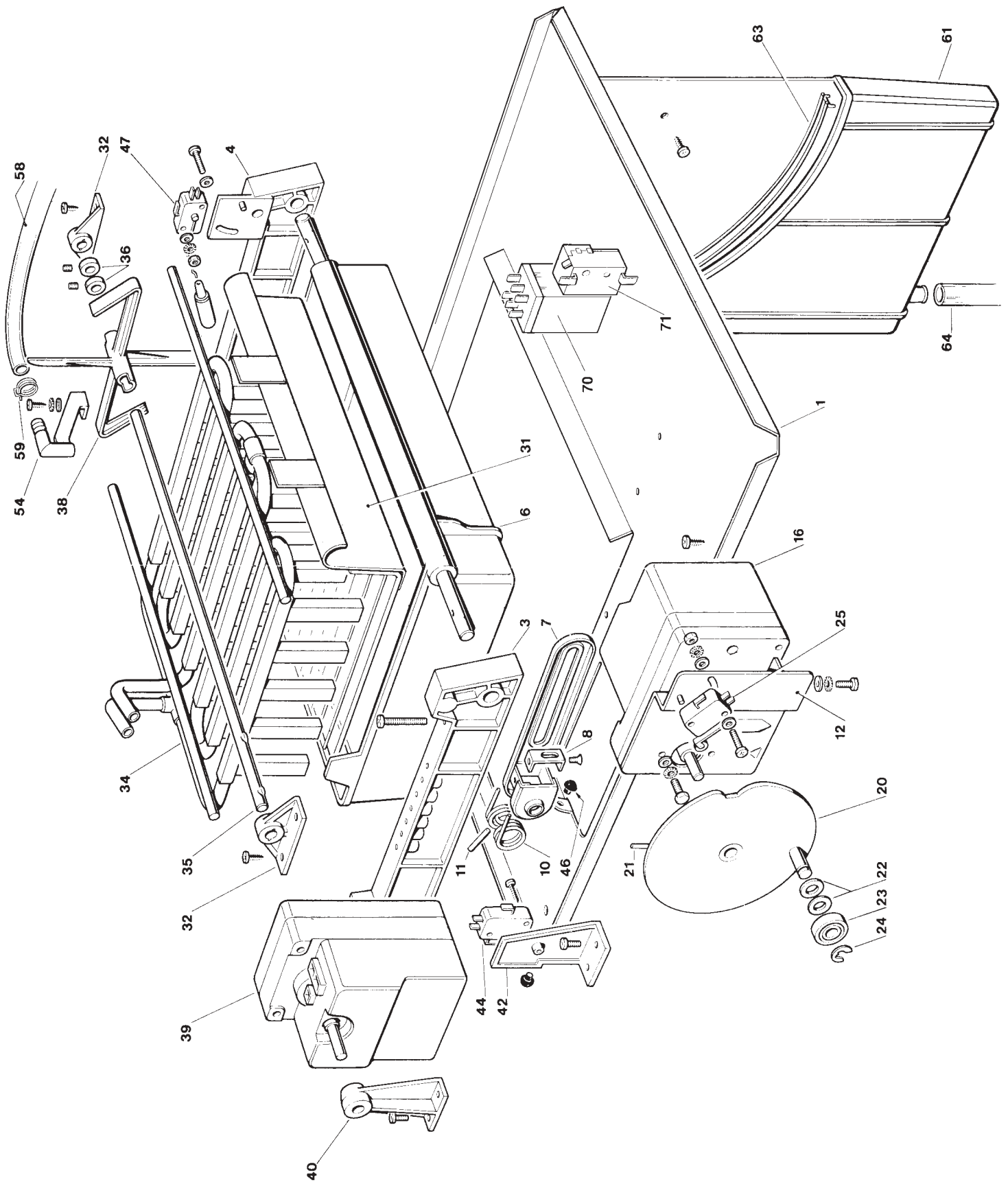


## GP 20-90

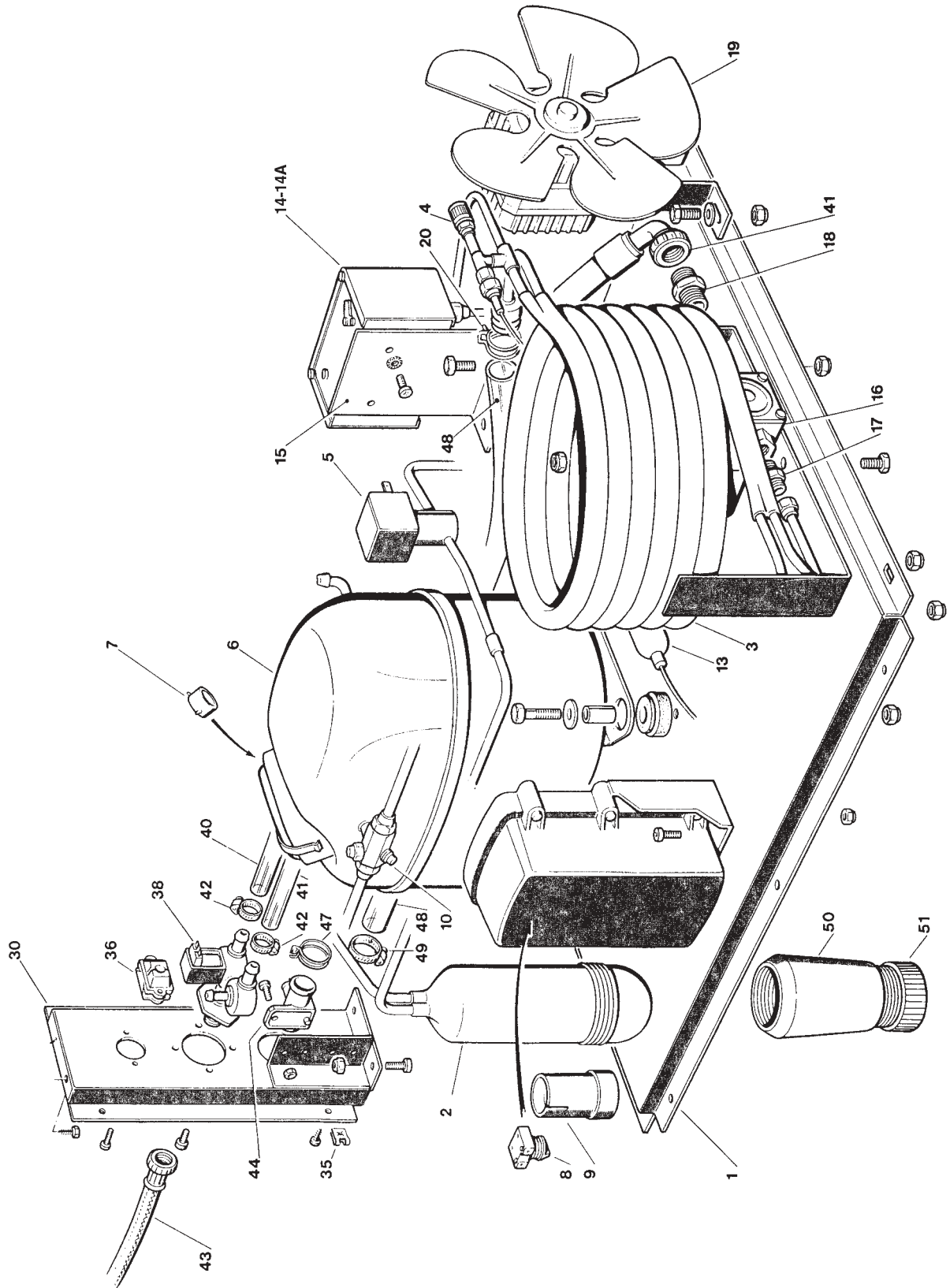
Spare parts list  
Catalogo ricambi  
Catalogues pièces détachées



<b>Pos. Nr.</b>	<b>Codice Code</b>	<b>Descrizione</b>	<b>Description</b>	<b>Description</b>	<b>Quantità Q.ty Q.té</b>
2	81410095/0	ASSIEME CONTENITORE	ICE BIN	ENSEMBLE CUVE	1
1	81410095/0	ASSIEME CONTENITORE	ICE BIN	ENSEMBLE CUVE	1
3	81410095/0	ASSIEME CONTENITORE	ICE BIN	ENSEMBLE CUVE	1
4	25330629/0	FIANCO SINISTRO	LEFT SIDE	PANNEAU GAUCHE	1
5	25300628/0	FIANCO DESTRO	RIGHT SIDE	PANNEAU DROITE	1
7	12436400/0	PIASTRINA	PLATE	PLAQUETTE	21
8	25700029/0	PANNELLO POSTERIORE	BACK PANEL	PANNEAU POSTERIEUR	1
11	25380693/0	GRIGLIA POSTERIORE	BACK GRID	GRILLE ARRIERE	1
13	25610100/0	PRESA D'ARIA	AIR INTAKE	PRISE D'AIRE	2
15	19356001/0	DISTANZIALE	SPACER	ENTRETOISE	8
16	25161098/0	COPERCHIO	COVER	COUVERCLE	1
17	25550112/0	PANNELLO ISOLANTE	INSULATOR PANEL	PANNEAU ISOLANT	1
19	25165499/0	CORNICE	FRAME	CORNICHE	1
21	41109519/0	MAGNETE	MAGNET	MAGNETO	2
26	19262835/0	ETICHETTA	LABEL	ETIQUETTE	1
27	25610095/0	PRESA D'ARIA	AIR INTAKE	PRISE D'AIR	1
29	19120050/0	CERNIERA	HINGE	CHARNIERE	2
31	81400708/0	ASSIEME PORTA	COMPLETE DOOR	PORTE COMPLETE	1
31A	25600182/0	PORTA	DOOR	DOOR	1
36A	25260472/0	DEFLETTORE	DOOR DEFLECTOR	DEFLECTEUR	1
37A	25560151/0	BUSSOLA	BUSH	DOUILLE	1
39	25726141/0	SUPPORTO TERMOSTATO	SUPPORT	SUPPORT	1
40	25726140/0	SUPPORTO TERMOSTATO	SUPPORT	SUPPORT	1
41	19797018/0	TERMOSTATO	THERMOSTAT	THERMOSTAT	1
43	25790621/0	TUBO SCARICO	TUBE	TUYAU	1
44	19281332/0	FASCETTA	CLAMP	BANDE	2
45	19500100/0	PALETTA	ICE SCOOP	PELLE GLACE	1
-	19810114/0	TUBO SCARICO MACCHINA	DRAIN WATER PIPE	TUYAU DE DECHARGE MACHINE	1
46	25030019/0	PERNO	SHAFT	ARBRE	1
47	25726279/0	SUPPORT	SUPPORT	SUPPORT	2
56	25352502/0	FRONTALINO PER VERSIONE BLU	FRONTAL PANEL FOR BLUE VERS.	PETIT PANNEAU FRONTAL VERSION BLEUE	1
56A	25352503/0	FRONTALINO PER VERSIONE INOX	FRONTAL PANEL FOR STAINLESS STEEL VERS.	PETIT PANNEAU FRONTAL VERSION INOX	1



Pos. Nr.	Codice Code	Descrizione	Description	Description	Quantità Q.ty Q.té
1	25745107/0	TELAIO EVAPORATORE	EVAPORATOR FRAME	SUPPORT DE L'EVAPORATEUR	1
3	25726121/0	SUPPORTO EVAPORATORE	SUPPORT	SUPPORT	1
4	25726122/0	SUPPORTO EVAPORATORE	SUPPORT	SUPPORT	1
6	81413001/0	ASS. BACINELLA CON LEVA	PAN ASS'Y	ENSEMBLE CUVETTE	1
7	25440110/0	LEVA	LEVER	LEVIER	1
8	25325953/1	PIASTRINA	STOP PLATE	PLAQUETTE D'ARRÊT	1
10	25474602/0	MOLLA	SPRING	RESSORT	1
11	25560256/0	PERNO	GUDGEON	PIVOT	1
12	25725429/0	SUPPORTO	SUPPORT	SUPPORT	1
16	81413011/0	ASSIEME MOTORIDUTTORE/ DISCO/ SUPPORTO/ MICRO	MOTOR/SUPPORT/CAMMICRO ASS'Y	ENSEMBLE MOTOREDUCTEUR/ SUPPORT/ CAME/ MICRO	1
20	81413043/0	DISCO	CAM	CAME	1
21	12639300/0	SPINA	PIN	GOUPILLE	1
22	25654016/0	RONDELLA	WASHER	RONDELLE	2
23	25110911/0	BUSSOLA	BUSH	DOUILLE	1
24	12000950/0	SEEGER	SEEGER	BAGUE D'ARRÊT	1
25	19410209/0	MICRO	MICRO	MICRO	1
31	81413031/0	CONVOGLIATORE	DEFLECTOR	CONVOYEUR	1
32	25726115/3	SUPPORTO ALBERO PALETTE	PADDLE SHAFT SUPPORT	SUPPORT ARBRE PALETTES	2
34	81412031/0	EVAPORATORE	EVAPORATOR	EVAPORATEUR	1
35A	25030010/0	ALBERO PALETTE	PADDLE SHAFT	ARBRE PALETTES	1
36	25110914/0	BUSSOLA	BUSH	DOUILLE	2
38A	25545520/2	PALETTA	PADDLE	PALETTE	6
39	19440059/0	MOTORIDUTTORE PALETTE	PADDLE MOTOR	MOTOREDUCTEUR DES PALETTES	1
40	25725433/0	SUPPORTO MOTORIDUTTORE	SUPPORT	SUPPORT	1
42	25525419/0	SUPPORTO	SUPPORT	SUPPORT	1
44	19410209/0	MICRO	MICRO	MICRO	1
47	81409179/0	ASS. MICRO GALLEGGIANTE	MICRO/ FLOAT BALL ASS'Y	ENSEMBLE MICRO/ FLOTTEUR	1
54	25300000/0	RACCORDO ENTRATA ACQUA	WATER INLET TUB	TUYAU ENTREE EAU	1
58	25790620/0	TUBO H <sub>2</sub> O	TUBE	TUYAU	1
59	19280700/0	FASCETTA	CLAMP	BANDE	1
61	25820080/0	VASCHETTA RECUPERO	PAN	BAC	1
63	81410690/0	GRIGLIA	GRID	GRILLE	1
64	25790604/0	TUBO SCARICO	DRAIN PIPE	TUYAU D'ECOULEMENT	1
70	19620107/0	RELÈ	RELAY	RALIS	1
71	19797017/0	TERMOSTATO DEPOSITO	BIN THERMOSTAT	THERMOSTAT CONTENEUR	1



Pos. Nr.	Codice Code	Descrizione	Description	Description	Quantità Q.ty Q.tè
1	81410651/0	BASAMENTO	BASE	CHASSIS	1
2	81418393/0	SCAMBIATORE (R134 A)	EXCHANGER ASS'Y (R134 A)	ECHANGER (R134 A)	1
3	81414379/0	CONDENSATORE	CONDENSER	CONDENSATEUR	1
4	19864900/0	VALVOLA DI CARICA	CHARGE VALVE	VANNE DE CHARGE	1
5	19863033/0	VALVOLA GAS	GAS VALVE	VANNE DE GAZ	1
6	19165556/0	COMPRESSORE (R134 A) TIPO CAE 4448Y	COMPRESSOR (R134 A) TYPE CAE 4448Y	COMPRESSEUR (R134 A) TYPE CAE 4448Y	1
7	19560133/0	PROTETTORE (R134 A)	PROTECTION (R134 A)	PROTECTEUR (R134 A)	1
8	19621689/0	RELÈ (R134 A)	RELAY (R134 A)	RELAIS (R134 A)	1
9	19180458/0	CONDENSATORE (R134 A)	CONDENSER (R134 A)	CONDENSATEUR (R134 A)	1
10	19864900/0	VALVOLA DI CARICA	CHARGE VALVE	VANNE DE CHARGE	1
13	19300804/0	FILTRO (R134 A)	DRIER (R134 A)	DESHYDRATEUR (R134 A)	1
14	19550372/0	PRESSOSTATO (R134 A) (FINO LUGLIO 2000)	PRESSURE CONTROL (R134 A) (TILL JULY 2000)	PRESSOSTAT (R134 A) (JUSQU'À JULLET 2000)	1
15	25725437/0	SUPPORTO	SUPPORT	SUPPORT	1
17	25631013/0	RACCORDO	PIPE FITTING	RACCORD	1
18	19320310/0	RACCORDO	PIPE FITTING	RACCORD	1
19	18562501/0	ELETTRONVENTILATORE	FAN MOTOR	VENTILATEUR	1
20-47	19281324/0	FASCETTA	CLAMP	BANDE	2
30	81418353/0	SUPPORTO	SUPPORT	SUPPORT	1
32	12292102/0	DADO	NUT	ECROU	2
35	12436401/0	PIASTRINA	PLATE	PLAQUE	4
36	33320523/0	FISSACAVO	CLAMP	BANDE	1
38	19865509/0	ELETTROVALVOLA ACQUA	WATER SOLENOID VALVE	ELECTRO VANNE EAU	1
40	25790620/0	TUBO ACQUA	TUBE	TUYAU	1
41	81418211/0	TUBO ACQUA	TUBE	TUYAU	1
42	19280153/0	FASCETTA	CLAMP	BANDE	2
43	19810111/0	TUBO ALIMENTAZIONE	WATER INLETT TUBE	TUYAU ENTREE EAU	1
43A	19350158/0	GUARNIZIONE PER TUBO	GASKET FOR TUBE	GARNITURE POUR TUYAU	1
44	25690806/0	SCARICO	WATER DRAIN PIPE	ECOULEMENT MACHINE	2
48	25781513/0	TUBO SCARICO	TUBE	TUYAU	1
49	19280912/0	FASCETTA	CLAMP	BANDE	2
50	25460020/0	MANICOTTO	COUPLING	RALLONGE PIED	4
51	25570880/0	PIEDINO	LEVELLING FOOT	PIET	4