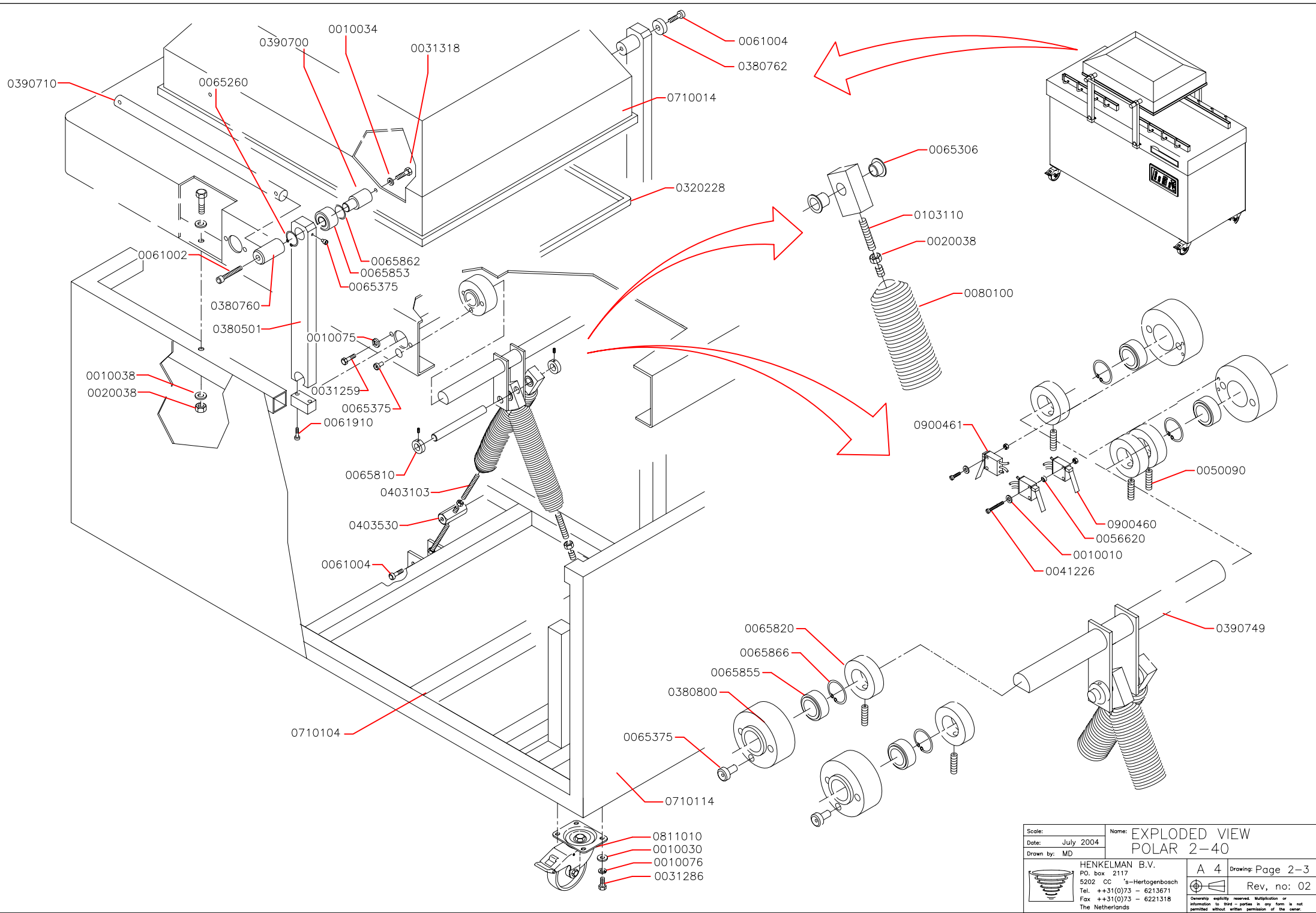
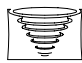
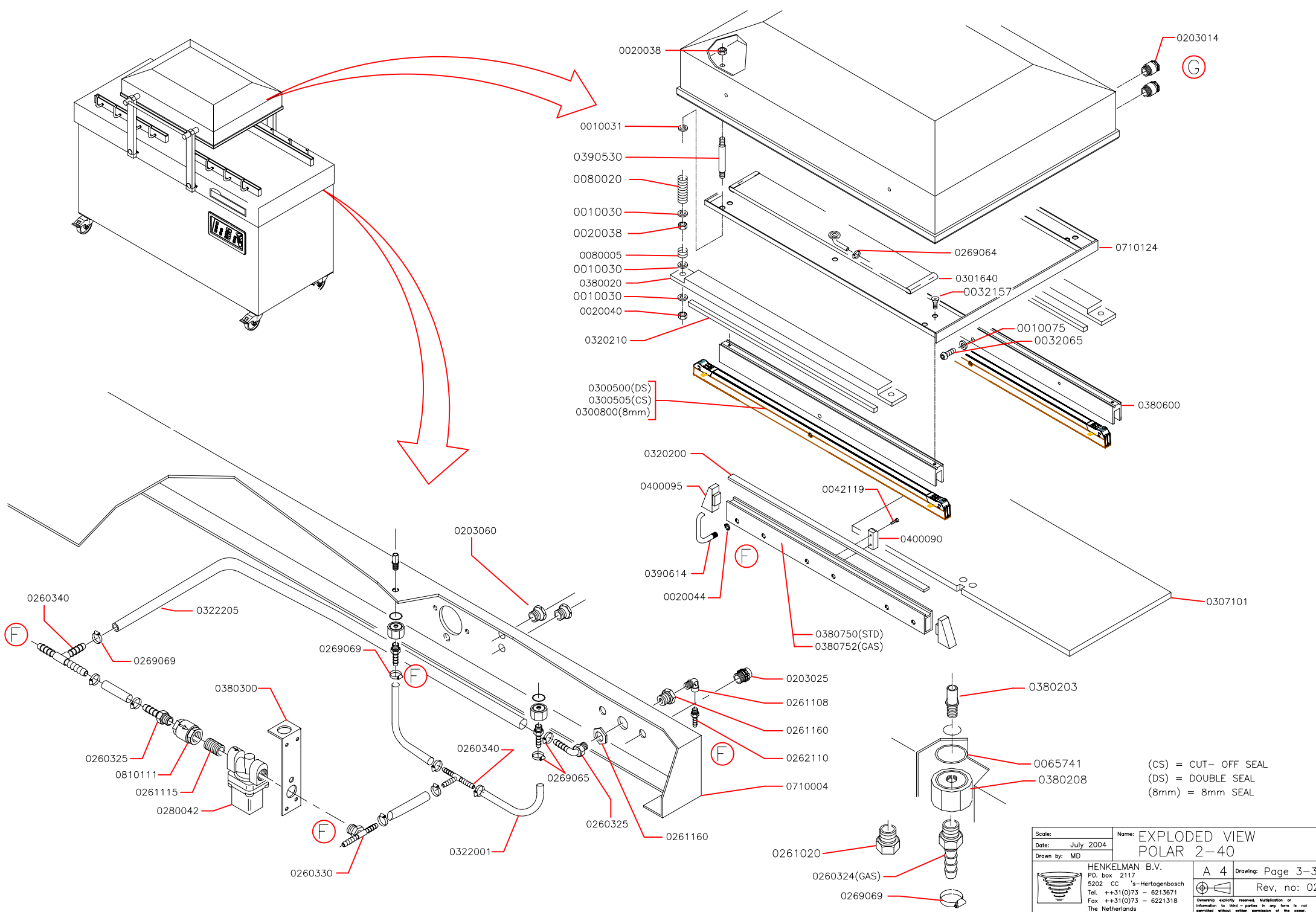


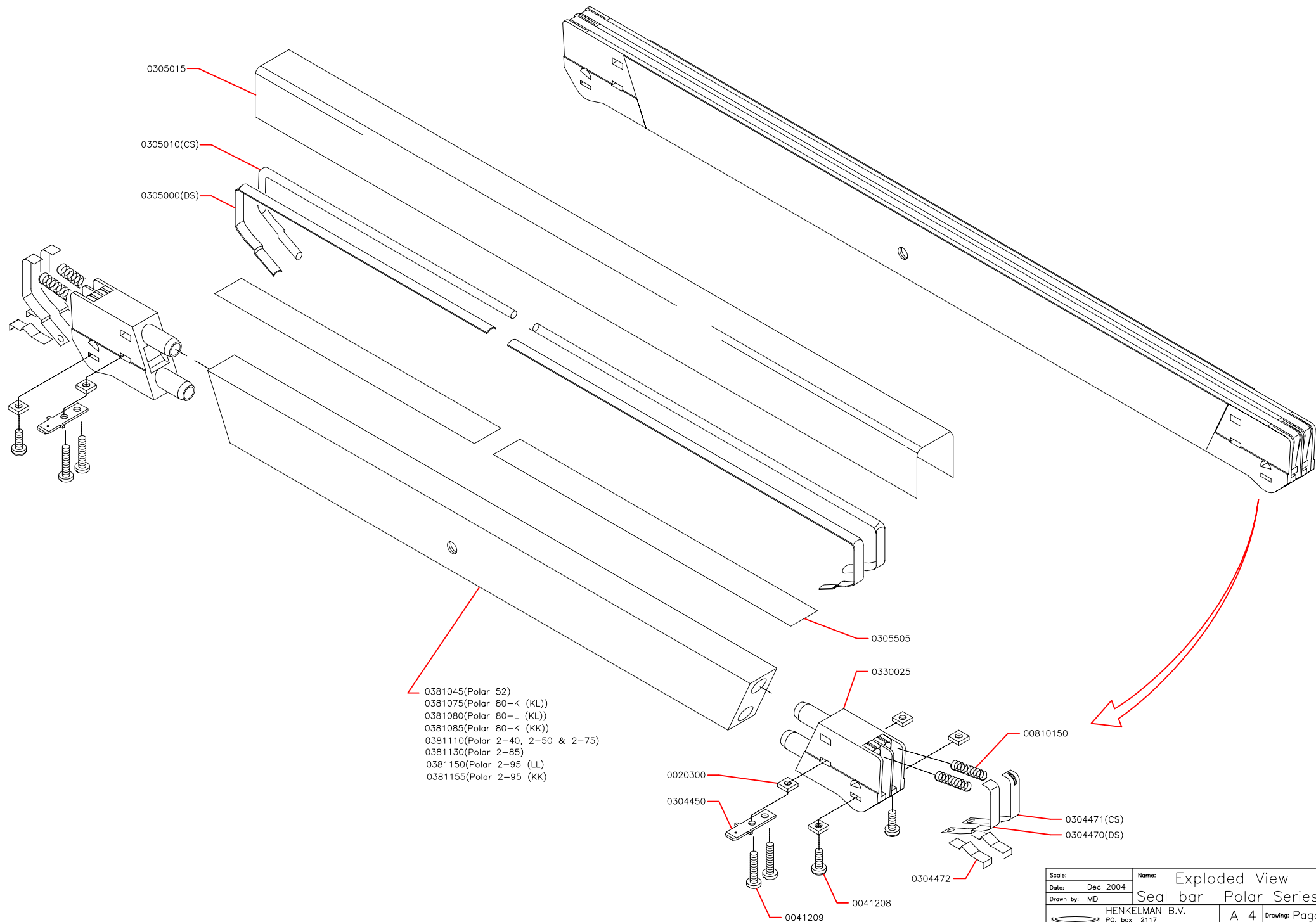
Scale:	Name: Exploded view
Date: July 2004	POLAR 2-40
Drawn by: MD	
HENKELMAN B.V. P.O. box 2117 5202 CC 's-Hertogenbosch Tel. ++31(0)73 - 6213671 Fax ++31(0)73 - 6221318 The Netherlands	
A 4	Drawing: Page 1-3
Rev, no: 02	
<small>Ownership explicitly reserved. Multiplication or information to third parties in any form is not permitted without written permission of the owner.</small>	



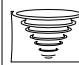
Scale:	Name: EXPLODED VIEW POLAR 2-40
Date: July 2004	
Drawn by: MD	
 HENKELMAN B.V. PO. box 2117 5202 CC 's-Hertogenbosch Tel. ++31(0)73 - 6213671 Fax ++31(0)73 - 6221318 The Netherlands	A 4 Drawing: Page 2-3 Rev. no: 02
	<small>Ownership explicitly reserved. Multiplication or information to third parties in any form is not permitted without written permission of the owner.</small>

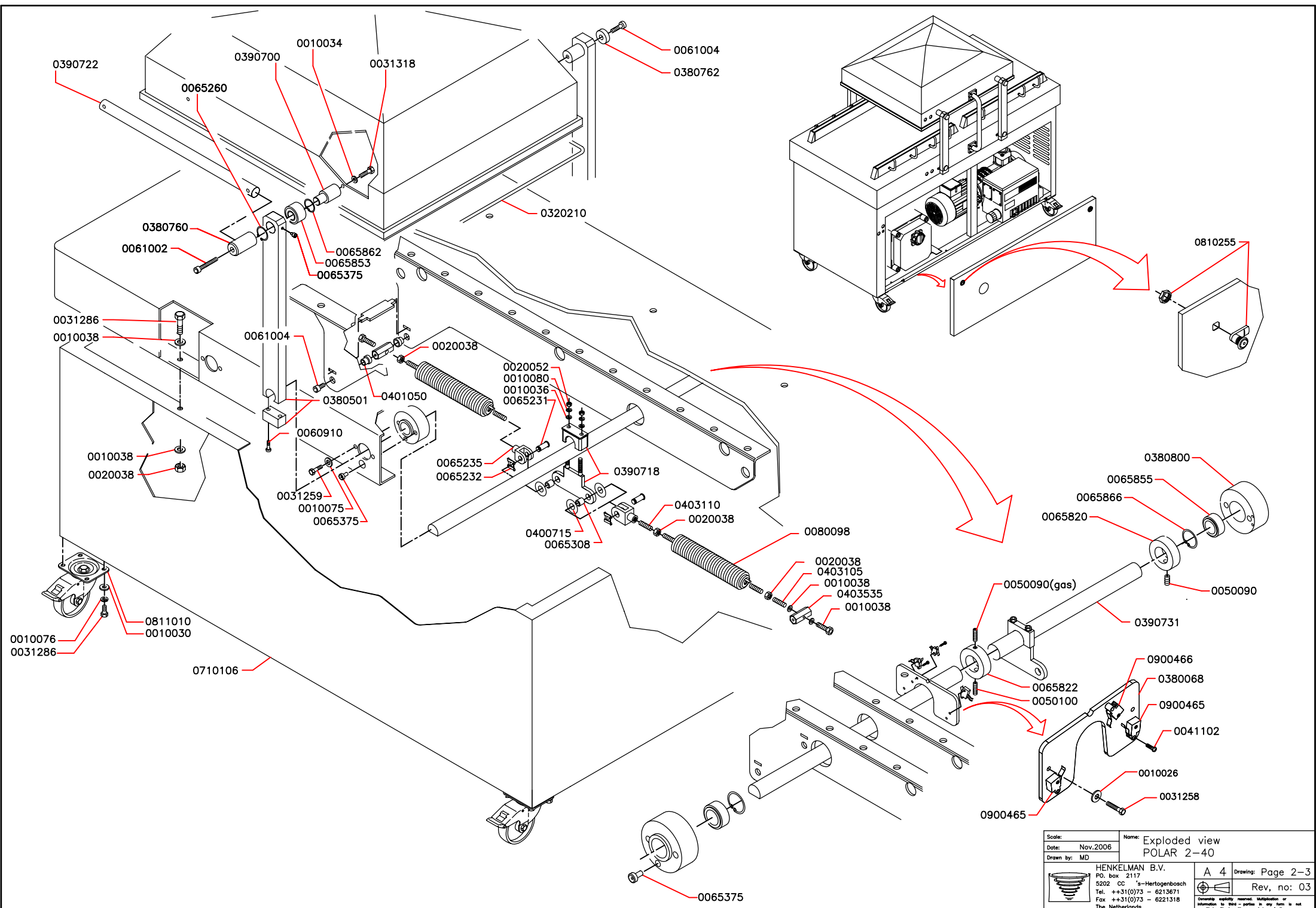


Scale:	Name: EXPLODED VIEW
Date: July 2004	POLAR 2-40
Drawn by: MD	
HENKELMAN B.V. P.O. box 2117 5202 CC 's-Hertogenbosch Tel. ++31(0)73 - 6213671 Fax ++31(0)73 - 6221318 The Netherlands	
A 4	Drawing: Page 3-3
Rev. no: 02	
Ownership explicitly reserved. Modification or information to third parties in any form is not permitted without written permission of the owner.	

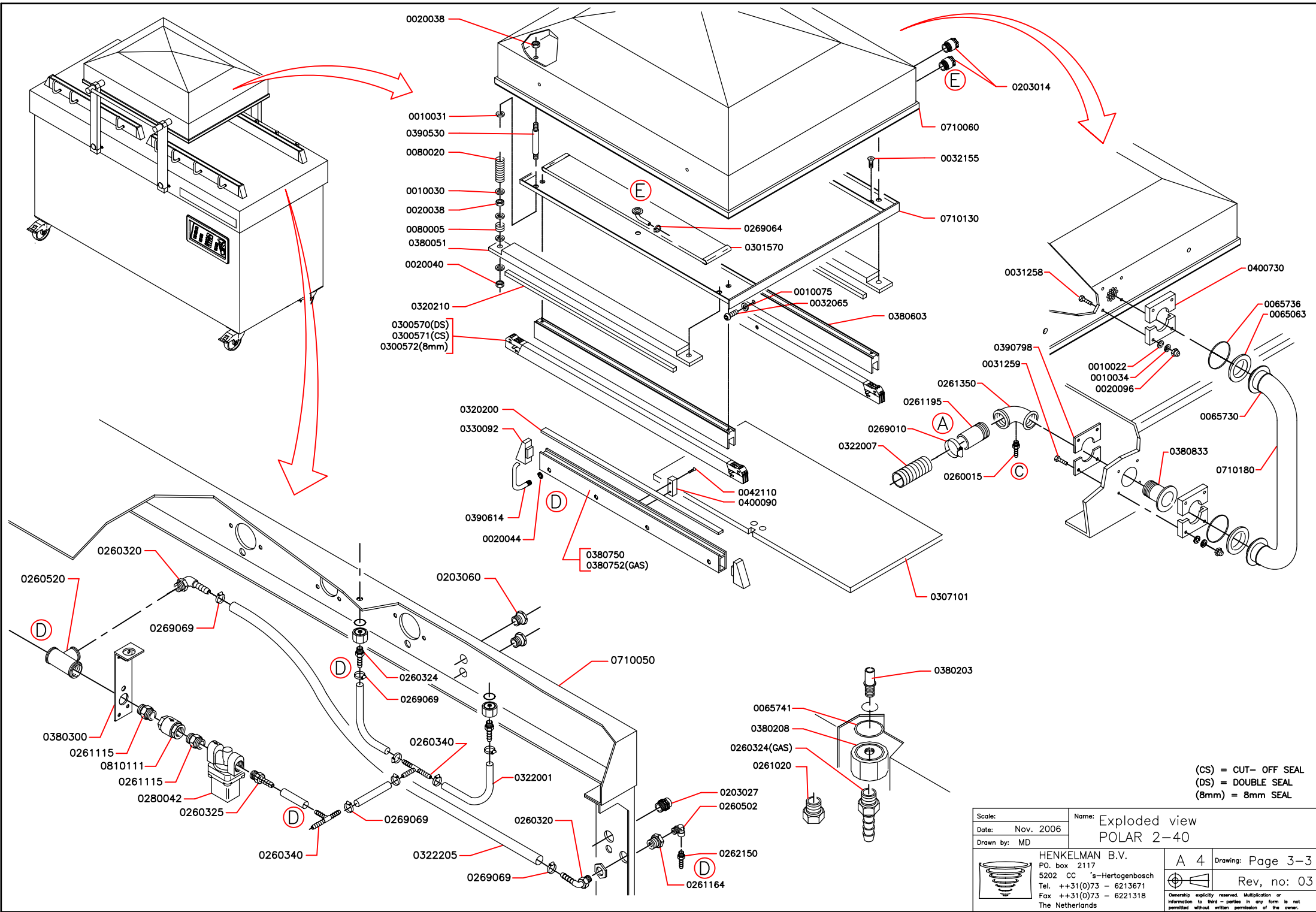


- 0381045(Polar 52)
- 0381075(Polar 80-K (KL))
- 0381080(Polar 80-L (KL))
- 0381085(Polar 80-K (KK))
- 0381110(Polar 2-40, 2-50 & 2-75)
- 0381130(Polar 2-85)
- 0381150(Polar 2-95 (LL))
- 0381155(Polar 2-95 (KK))

Scale:	Name:	Exploded View	
Date:	Dec 2004	Seal bar Polar Series	
Drawn by:	MD	Rev. 01	
HENKELMAN B.V. P.O. box 2117 5202 CC 's-Hertogenbosch Tel. ++31(0)73 - 6213671 Fax ++31(0)73 - 6221318 The Netherlands		A 4 Drawing: Page 1-1 	
<small>Ownership explicitly reserved. Multiplication or information to third parties in any form is not permitted without written permission of the owner.</small>			



Scale:	Name:	Exploded view	
Date:	Nov.2006	POLAR 2-40	
Drawn by:	MD	A 4	
HENKELMAN B.V.		Drawing: Page 2-3	
P.O. box 2117		Rev. no: 03	
5202 CC 's-Hertogenbosch			
Tel. ++31(0)73 - 6213671			
Fax ++31(0)73 - 6221318			
The Netherlands			



Scale:	Name: Exploded view
Date: Nov. 2006	POLAR 2-40
Drawn by: MD	
HENKELMAN B.V. P.O. box 2117 5202 CC 's-Hertogenbosch Tel. ++31(0)73 - 6213671 Fax ++31(0)73 - 6221318 The Netherlands	
A 4	Drawing: Page 3-3
Rev. no: 03	
<small>Ownership explicitly reserved. Multiplication or information to third parties in any form is not permitted without written permission of the owner.</small>	