

(DS) = DOUBLE SEAL  
 (CS) = CUT-OFF SEAL  
 (8mm) = 8mm SEAL

Scale:	Name: Exploded View
Date: July 2004	Product: MARLIN 42 XL
Drawn by: MD	
HENKELMAN B.V. P.O. box 2117 5202 CC 's-Hertogenbosch Tel. ++31(0)73 - 6213671 Fax ++31(0)73 - 6221318 The Netherlands	
A 4 Drawing: Page 1-1	
Rev. no: 02	
<small>Ownership explicitly reserved. Multiplication or information to third parties in any form is not permitted without written permission of the owner.</small>	

0041209  
0041208  
0304472

0080150  
0020300

0041210

0330025

0304400  
0330020(L)

0330020(R)

0381015(Marlin 42 & 42 XL)  
0381055(Marlin46)  
0381025(Marlin 52-I)  
0381030(Marlin 52-II)  
0381005(Marlin 90-K)

0304454

0206730(Marlin 42 & 42XL)  
0206760(Marlin 46)  
0206740(Marlin 52-I)  
0206750(Marlin 52-II)  
0206710(Marlin 90-K)

0305505



0305010(CS)

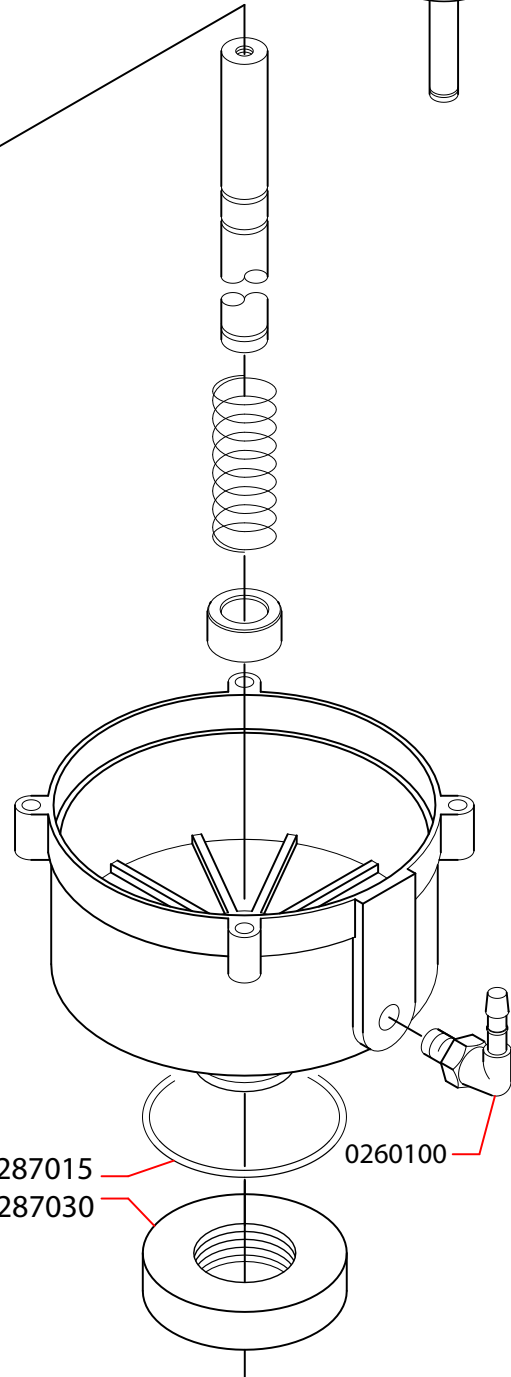
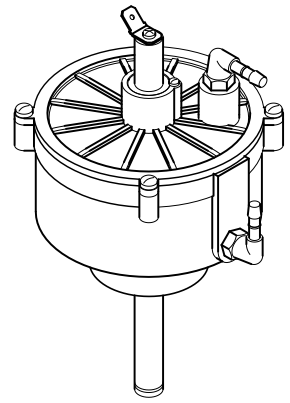
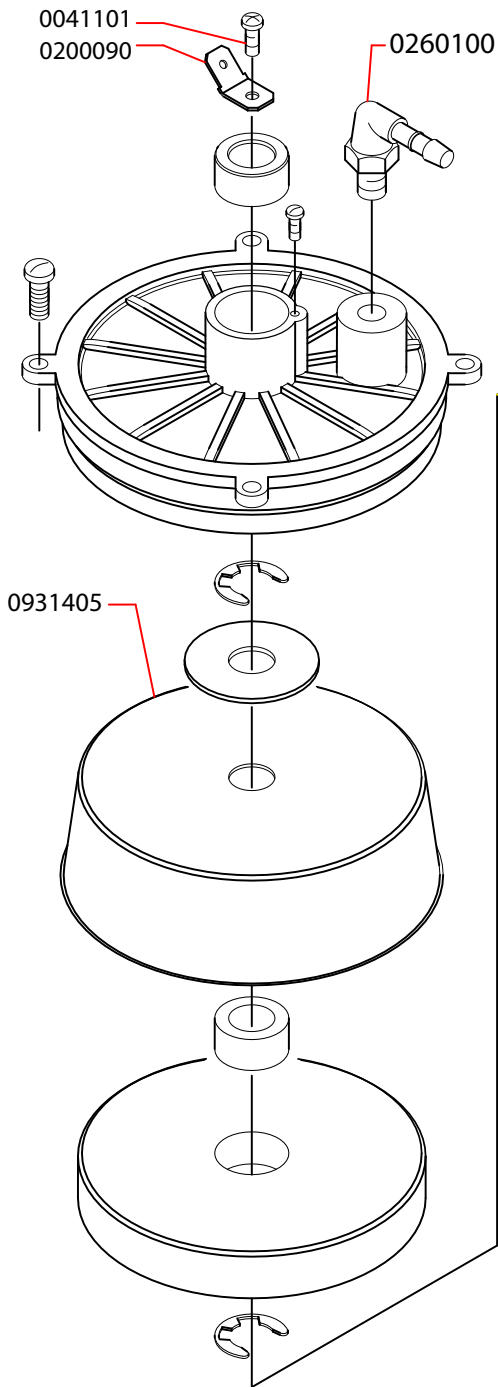
0305015

0304471(CS)

0304470(DS)

0305000(DS)

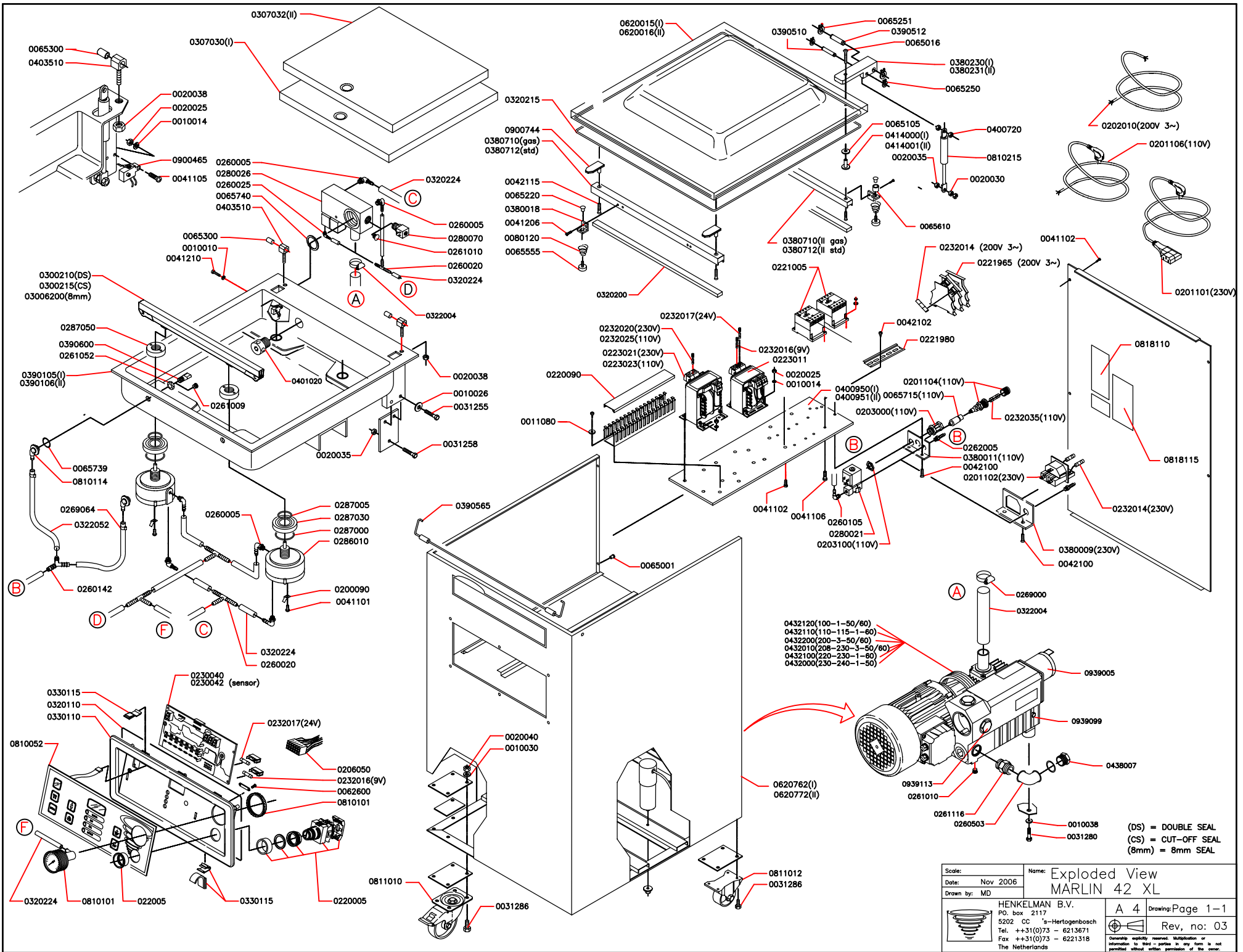
Scale:	Name: Exploded View	
Date: Dec 2004	Seal bar Marlin Series	
Drawn by: MD		
	HENKELMAN B.V.	
	P.O. box 2117	
	5202 CC s-Hertogenbosch	
	Tel. ++31(0)73 - 6213671	
Fax ++31(0)73 - 6221318		
The Netherlands		
		A 4 Drawing: Page 1-1
		REV. 01
<small>Ownership explicitly reserved. Multiplication or information to third parties in any form is not permitted without written permission of the owner.</small>		



0286008 J35 / B35

0286010 J42 / B42 XL  
M42 XL  
M90

Scale:	Name: Exploded View
Date: April 2004	Seal cilinder Boxer 42
Drawn by: MD	
HENKELMAN B.V. PO. box 2117 5202 CC 's-Hertogenbosch Tel. ++31(0)73 - 6213671 Fax ++31(0)73 - 6213118 The Netherlands	
A 4	Drawing: Page 1-1
Rev.01	
<small>Copyright, explicitly reserved. Reproduction or distribution in third parties is not permitted without written permission of the owner.</small>	



(DS) = DOUBLE SEAL  
 (CS) = CUT-OFF SEAL  
 (8mm) = 8mm SEAL

Scale:	Name: Exploded View
Date: Nov 2006	Product: MARLIN 42 XL
Drawn by: MD	
HENKELMAN B.V. P.O. box 2117 5202 CC 's-Hertogenbosch Tel. ++31(0)73 - 6213671 Fax ++31(0)73 - 6221318 The Netherlands	
A 4 Drawing: Page 1-1	
Rev. no: 03	