

Code	No.	Description
G06	1	534350040 Outer Top Panel (Gas)
G03		734350380 Outer Top Panel (Electric)
E01	2	534350130 Flue Discharge Chamber (Gas Only)
B04	3	734350350 Top Hinge
F07	4	734310770 Shelf Hanger R.H.
F09	5	734350390 Outer Side Panel R.H.
C06	6	734350150 Door Latch Keeper
F07	7	734350410 Control Panel
A02	8	734350280 Control Panel Seal

Code	No.	Description
E11	9	734350140 Door Latch c/w Keeper
N12	10	734350420 Door Assembly
E06	11	734350020 Inner Door Glass
E09	12	734350050 Door Seal 734350021
F03	13	734310110 Shelf
C10	14	734350360 Bottom Hinge
F07	15	734310760 Shelf Hanger L.H.
E09	16	734350400 Outer Side Panel L.H.
C06	17	734350430 Foot Assembly

524340023 GREASE GUARD
 7343112900 ST/ST FAN GUARD

7343506500

Sheet Reference Number

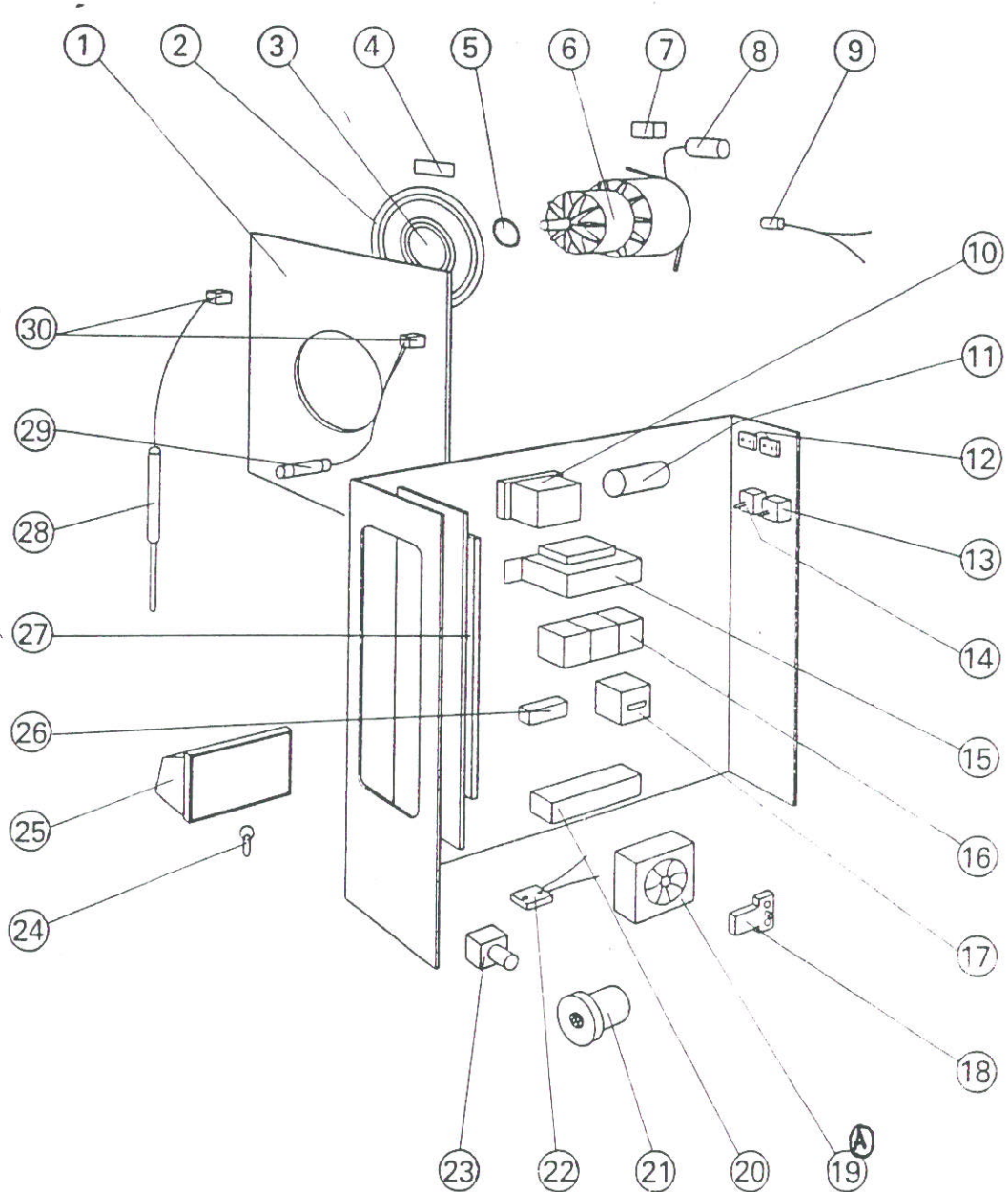
E4103/G4103/0294/001



Falcon Catering Equipment is a business name of Glynwed Consumer Products Ltd a member of the Glynwed International plc group of companies

E4103 COMBINATION OVEN

CONTROLS



Code	No.	Description
D11	1	734350520 Oven Back Baffle
K04	2	734310650 Oven Element — Outer
K01	3	734310660 Oven Element — Inner
A03	4	734310330 Oven Element Gasket
D02	5	534310330 Fan Shaft Seal
N08	6	734350290 Fan c/w Capacitor
B05	7	734311120 Fan Terminal Block
E09	8	734310340 Fan Capacitor
C10	9	734350130 Fan Sensor
J04	10	734310360 Water Level Switch
D03	11	734350120 Mains Filter
B07	12	734350330 Thermocouple Socket
C12	13	734311090 Safety Thermostat — Boiler
E02	14	534310370 Safety Thermostat — Oven
D10	15	734350110 Transformer
G08	16	734310440 Contactor
		534350550 DRAIN GASKET.

Code	No.	Description
H09	17	734310430 Circuit Breaker
C09	18	734350160 Safety Cut Out Thermostat (DELETED)
G06	19	734350310 Cooling Fan (PRE 3/10/94)
F01	20	734350530 Terminal Block
E12	21	734350300 Buzzer
E02	22	734310410 Reed Switch
D02	23	734350170 Light Switch
A03	24	734350190 Bulb
C11	25	734350180 Oven Light
A02	26	734310640 Fuse 2 Amp
P11	27	734350070 Control Board (20 Key)
P10		734350080 Control Board (14 Key)
L05	28	734310470 Food Probe
D12	29	734310370 Thermocouple — CONVECTION CONTROL T/STAT
B05	30	734350320 Thermocouple Plug

Sheet Reference Number

E4103/0294/001

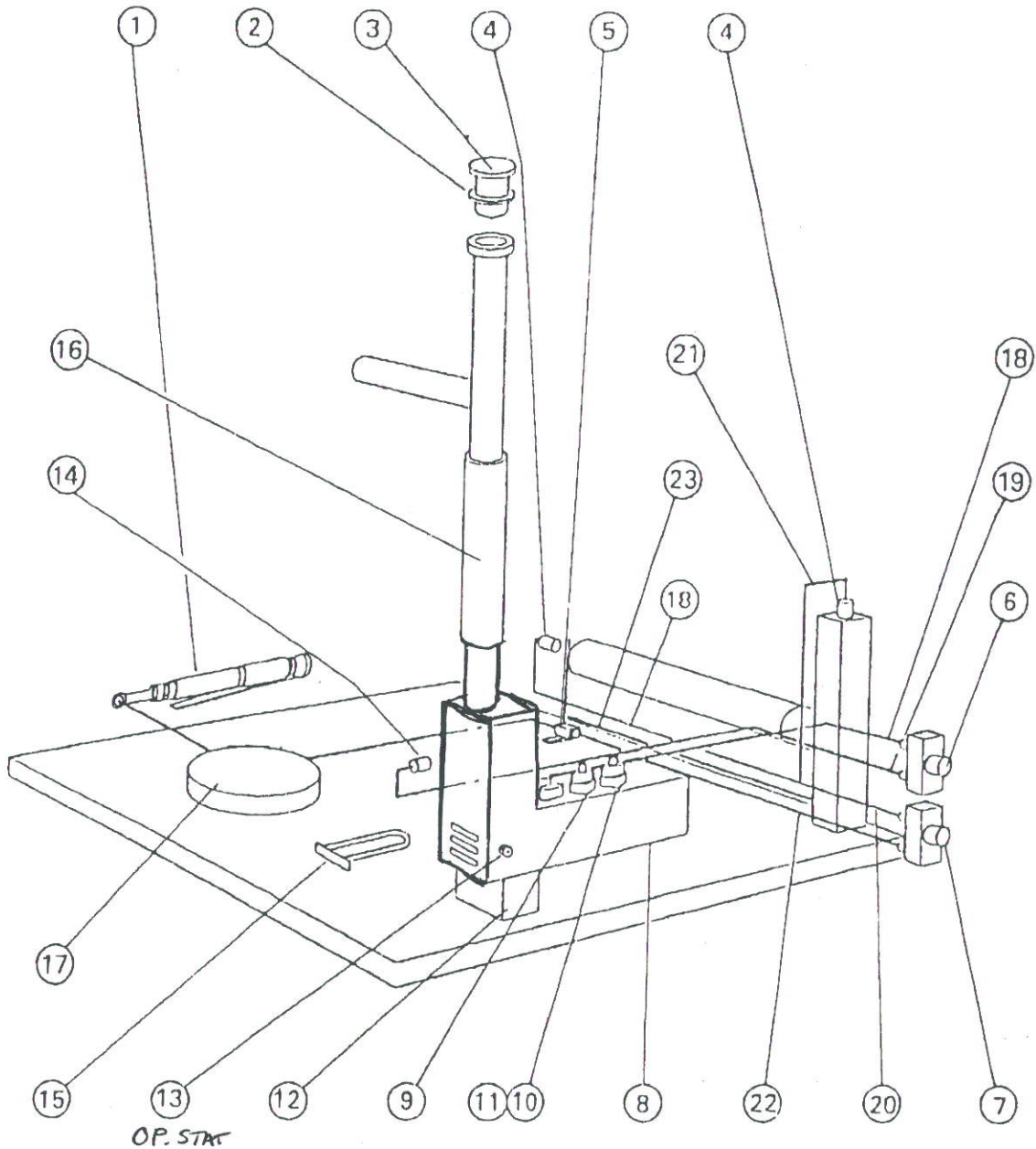
19A. COOLING FAN 534350190
(POST 3/10/94)



Falcon Catering Equipment is a business name of Glynwed Consumer Products Ltd a member of the Glynwed international plc group of companies

/E4103 COMBINATION OVEN

WATER SERVICES



Code	No.	Description	Code	No.	Description
J09	1	734350230 Spray Gun	H03	12	734310960 Drain Motor Valve ^{22mm}
A04	2	734310870 'O' Ring	E07	13	734310270 Boiler Thermostat (OPERATING)
E05	3	734310860 Pressure Relief Cap	E01	14	734350200 Spray Injector - Oven
C12	4	734350210 Water Injector (Condenser and Drain)	D09	15	734300160 Boiler Element c/w Phial Hole (6 Shelf)
B08	5	734350440 Ball Valve	E05		734300080 Boiler Element (6 Shelf)
H05	6	734310290 Water Solenoid Valve (Boiler and Spray)	D11		734311130 Boiler Element c/w Phial Hole (12 Shelf)
G01	7	734350450 Water Solenoid Valve (Condenser and Reel) ^(DOUBLE)	E05		734310250 Boiler Element (12 Shelf)
K01	8	734340120 Boiler (6 Shelf)	B07	16	734350550 Steam Inlet Hose
K11		734350540 Boiler (10 Shelf)	M05	17	734350220 Hose Reel
C12	9	734310300 Electrode (High Level)	B11	18	734350470 Hose - Boiler Fill and Drain Spray
C12	10	734310310 Electrode (Low Level)	A03	19	734350480 Hose - Oven Spray
A02	11	734310320 Electrode Gasket	A08	20	734350490 Hose - Condenser (Short)
		734310265 SINGLE SOLENOID	B11	21	734350500 Hose - Condenser Spray
		734310361 WATER LEVEL CONTROLLER	B07	22	734350510 Hose - Hose Reel ^{40mm}
		FOR SENSITIVITY (OFF-SHORE)	A03	23	734350460 Hose - Fixed Drain ^{40mm}
		SAFETY THERMOSTAT - 734311090			7343102000 - Steam Hose ^{1 3/4" BORE}
		DRAIN VALVE BODY - 534350590			
		" ACCUATOR. 534350600			

580mm
40mm
15mm
120mm

Sheet Reference Number
E4063/E4103/0294/001



Falcon Catering Equipment is a business name of Glynwed Consumer Products Ltd a member of the Glynwed International plc group of companies

E4103 COMBINATION OVEN

LONG SPARES LIST

Code	No.	Description	Code	No.	Description
H09	734310430	Circuit Breaker	F07	734350410	Control Panel
G08	734310440	Contactora	D11	734350520	Oven Back Baffle
C12	734310850	Mechanical Interlock	K11	734350540	Boiler
E05	734310250	Boiler Element	N12	734350420	Door Assembly
D11	734311130	Boiler Element c/w Phial Hole	E06	734350020	Inner Door Glass
C12	734311090	Boiler Safety Thermostat	E04	734350030	Outer Door Glass
K01	734310660	Oven Element — Inner	A08	734350040	Spring — Glass
K04	734310650	Oven Element — Outer	A03	734350240	Spring — Drip Tray
A03	734310330	Oven Element Gasket	A01	734350260	Glass Mounting Gasket — Inner
E07	734310270	Boiler Thermostat	A01	734350270	Glass Mounting Gasket — Outer
C12	734310300	Electrode — High Level	A02	734350250	Glass Locating Bush
C12	734310310	Electrode — Low Level	E04	734340010	Door Link Rod
A02	734310320	Electrode Gasket	E11	734350140	Door Latch c/w Keeper
E05	734310860	Pressure Relief Cap	C06	734350150	Door Latch Keeper
A04	734310870	'O' Ring	E09	734350050	Door Seal
N08	734350290	Fan Motor c/w Capacitor	B05	734350060	Outer Glass Seal
E09	734310340	Fan Motor Capacitor	C05	734350340	Door Drip Tray
B05	734311120	Fan Motor Terminal Block	B04	734350350	Door Hinge Top
C10	734350130	Fan Sensor	C10	734350360	Door Hinge Bottom
D02	534310330	Fan Shaft Seal	F07	734310760	Shelf Hanger (L.H.)
P11	734350070	Control Board (20 Key)	F07	734310770	Shelf Hanger (R.H.)
P10	734350080	Control Board (14 Key)	A12	734350370	Shelf Hanger Stud
A02	734350280	Control Board Seal	F03	734310110	Shelf
D10	734350110	Transformer	C06	734350430	Foot Assembly
D03	734350120	Mains Filter	H03	734310960	Drain Motor Valve
J04	734310360	Level Controller	H05	734310290	Water Solenoid Valve (Boiler and Spray)
E02	534310370	Oven Safety Thermostat	G01	734350450	Water Solenoid Valve (Condenser and Reel)
C09	734350160	Safety Cut Out Thermostat	M05	734350220	Hose Reel
D12	734310370	Oven Thermocouple	B08	734350440	Ball Valve
E02	734310410	Reed Switch	J09	734350230	Spray Gun
L05	734310470	Food Probe	C12	734350210	Water Injector Condenser and Drain
E12	734350300	Buzzer	E01	734350200	Water Injector Oven Spray
C11	734350180	Oven Light	B07	734350550	Hose — Steam Inlet
A03	734350190	Light Bulb	A03	734350460	Hose — Fixed Drain
D02	734350170	Light Switch	B11	734350470	Hose — Boiler Fill and Drain Spray
B10	734350090	Relay — Functional	A03	734350480	Hose — Oven Spray
D01	734350100	Relay — Select	A08	734350490	Hose — Condenser Short
A02	734310640	Fuse 2 Amp	B11	734350500	Hose — Condenser Spray
G06	734350310	Cooling Fan	B07	734350510	Hose — Hose Reel
G03	734350380	Outer Top Panel	B05	734350320	Thermocouple Plug
F09	734350390	Outer Side Panel (R.H.)	B07	734350330	Thermocouple Socket
E09	734350400	Outer Side Panel (L.H.)	F01	734350530	Terminal Block

Sheet Reference Number

E4103/0194/001



Falcon Catering Equipment is a business name of Glynwed Consumer Products Ltd a member of the Glynwed International plc group of companies