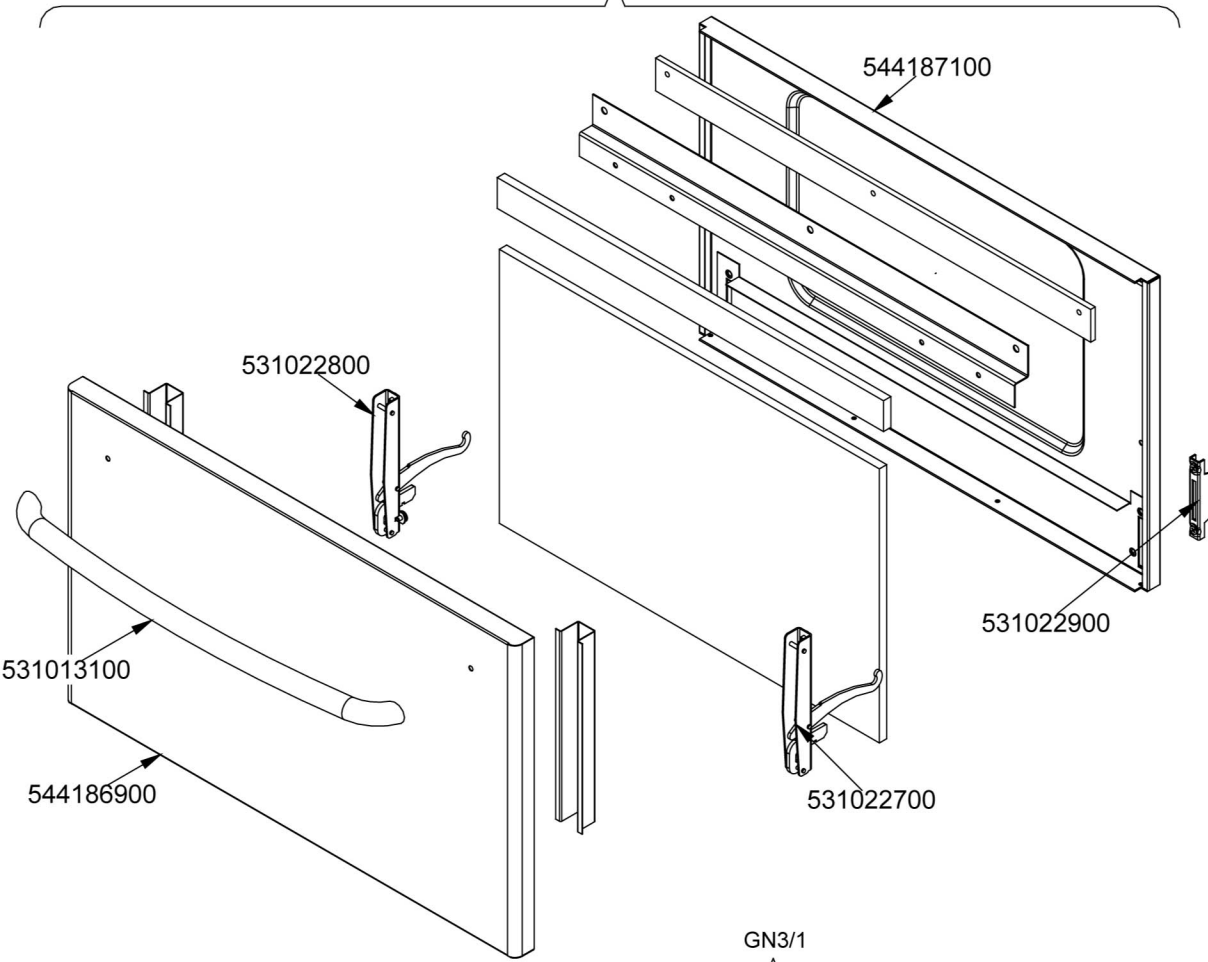
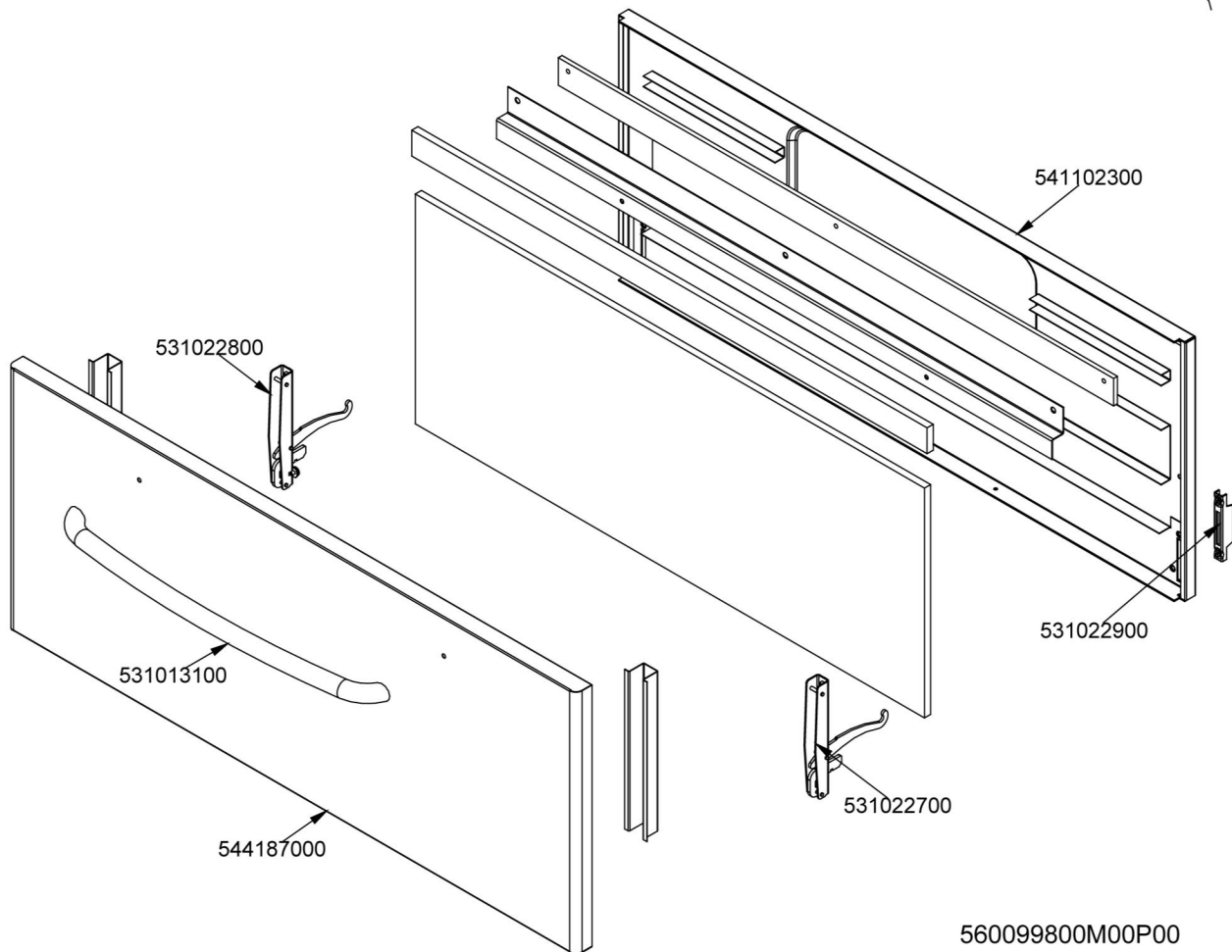


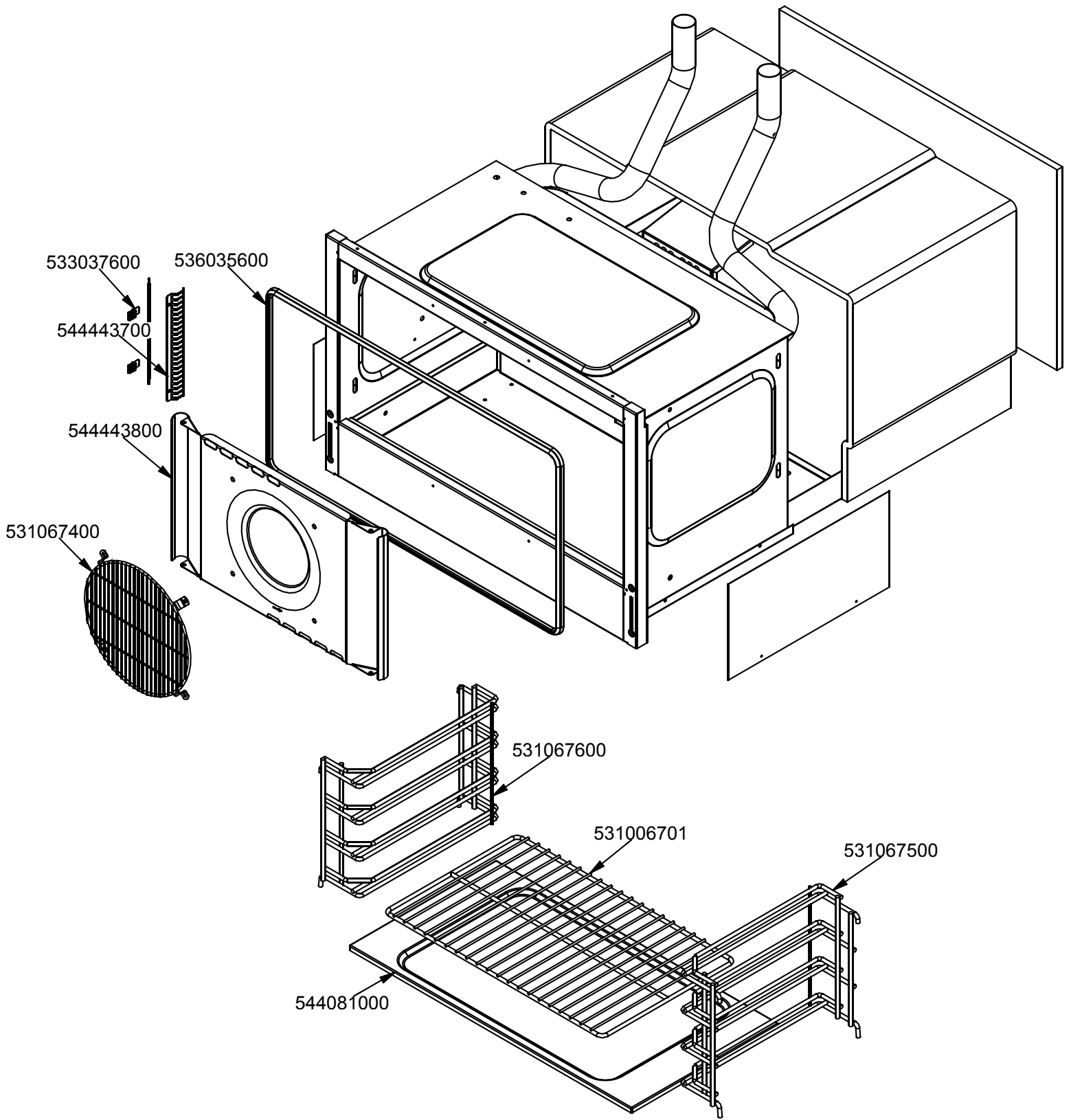
GN2/1

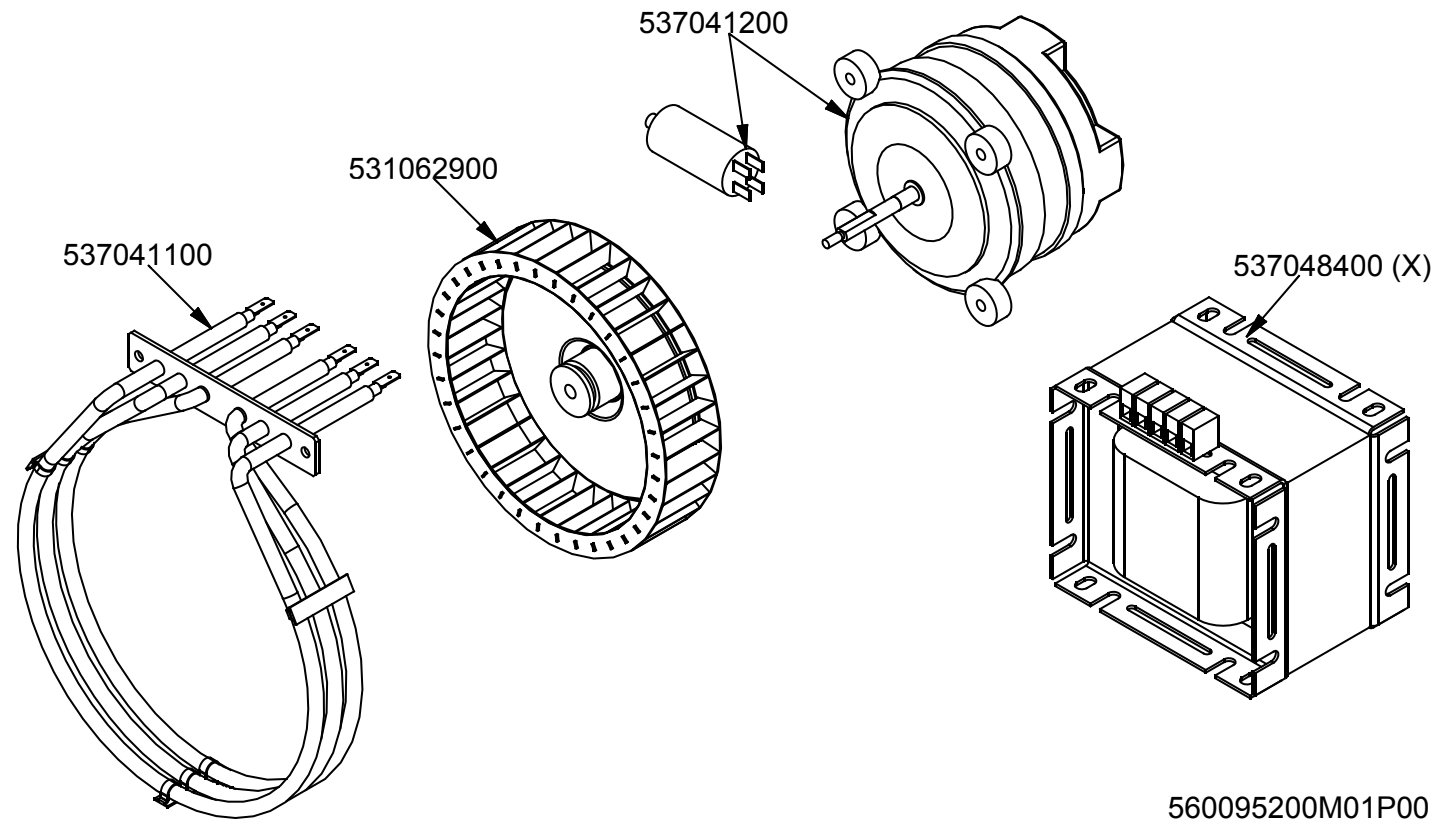
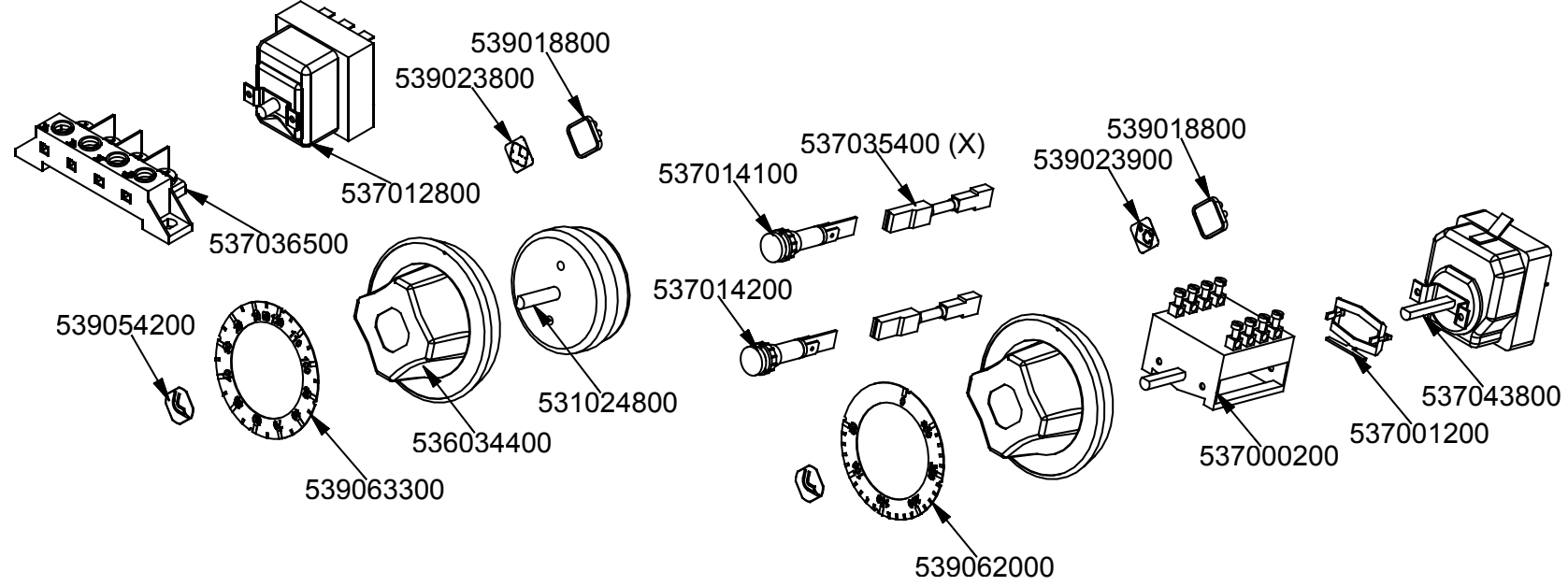


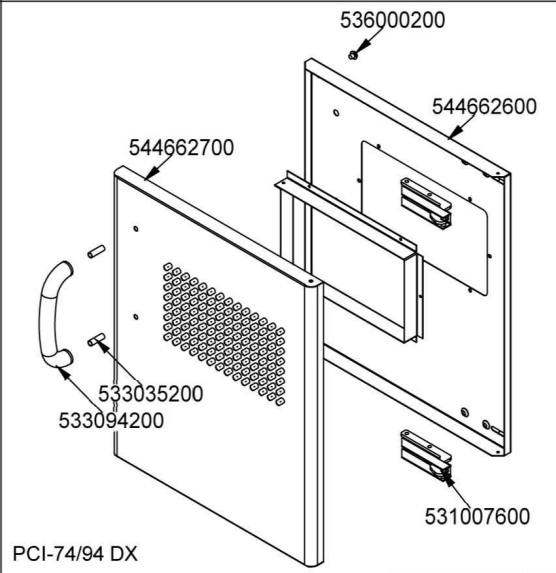
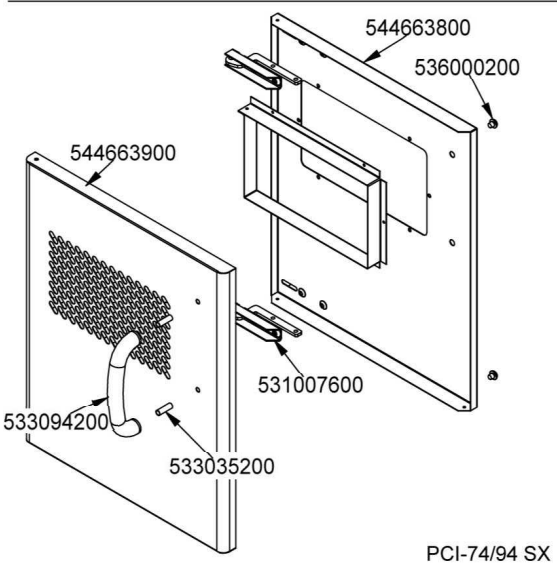
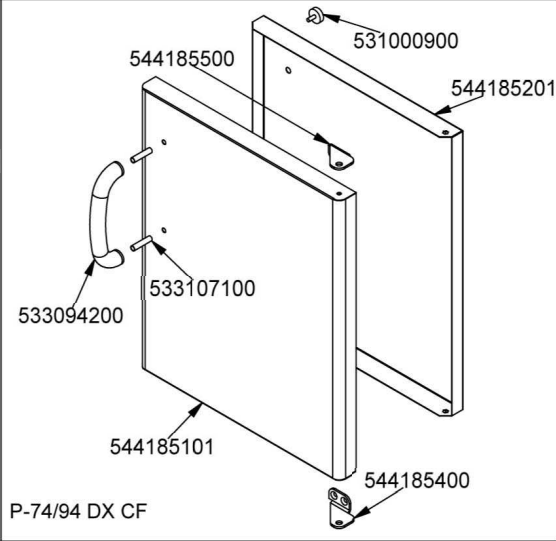
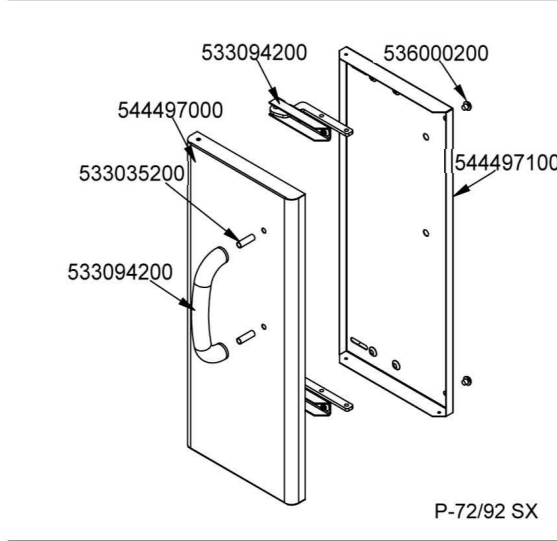
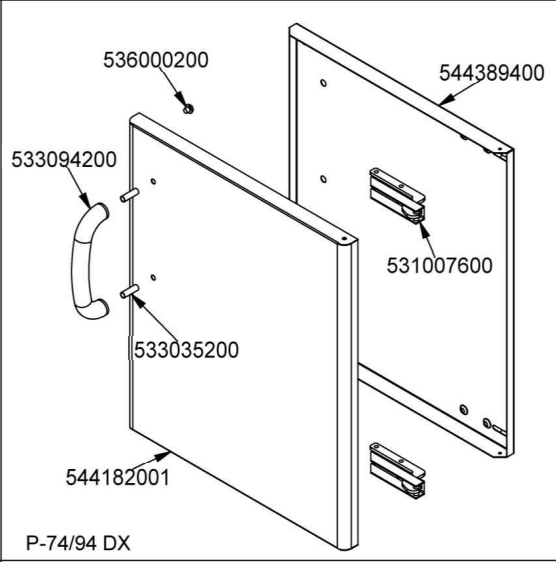
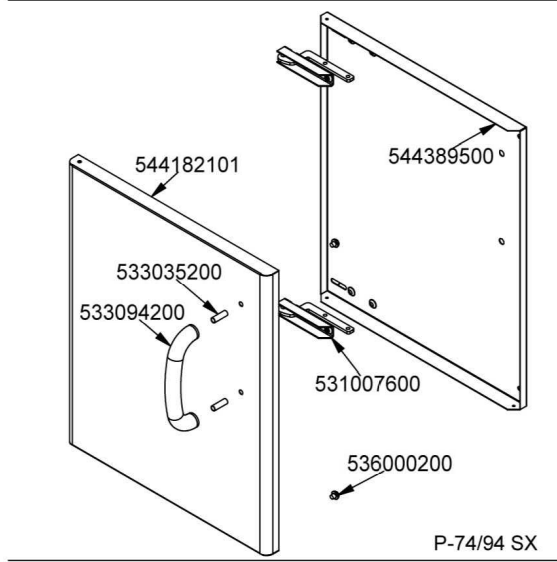
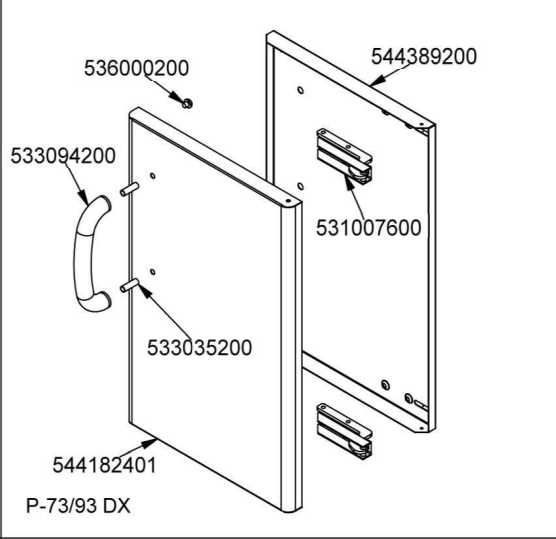
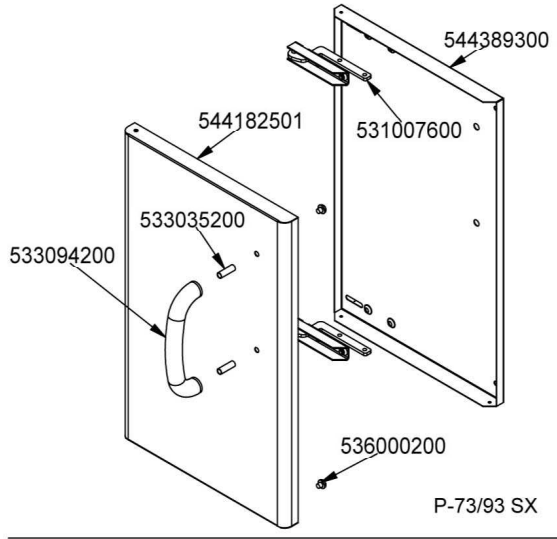
GN3/1

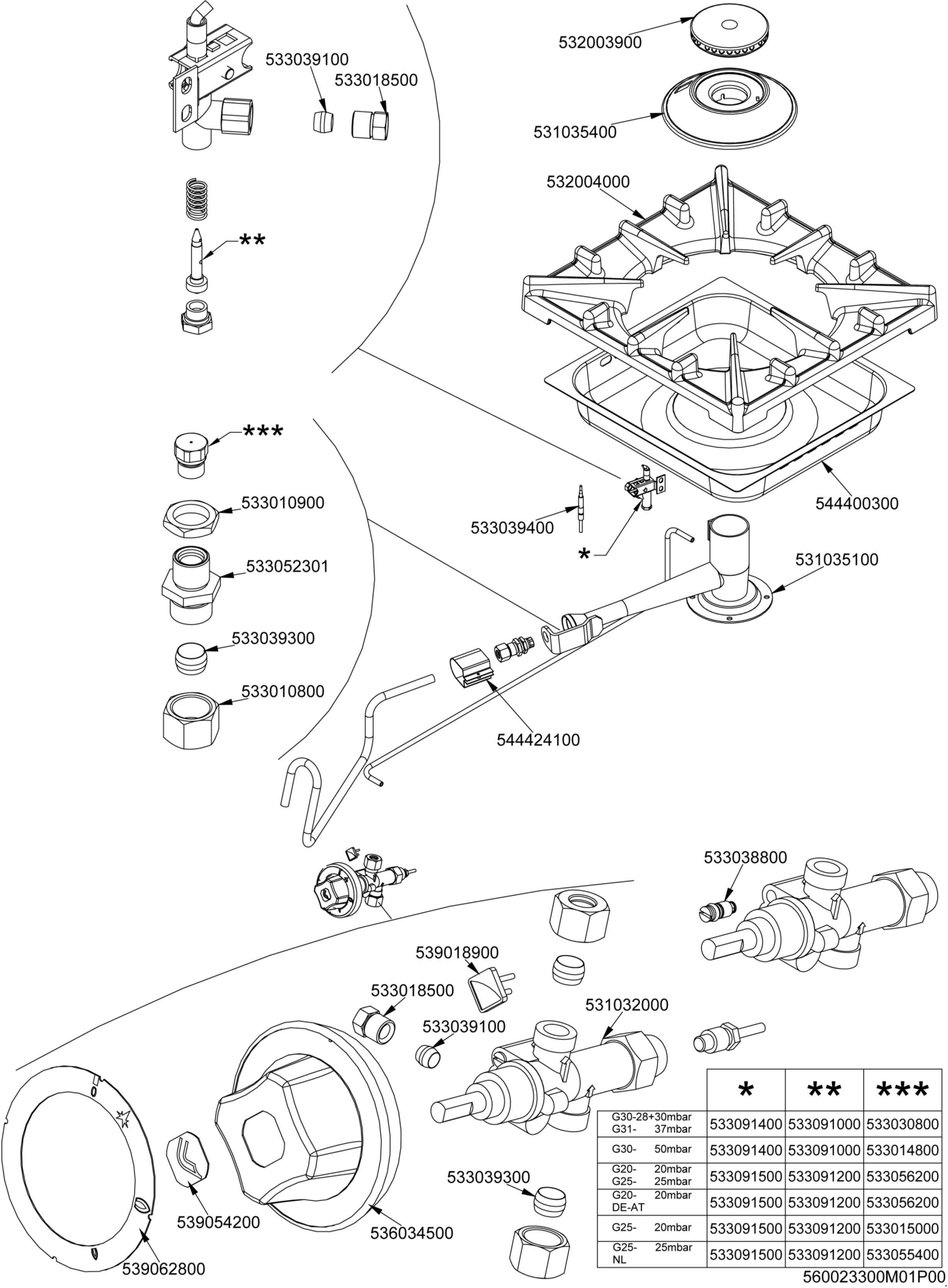


560099800M00P00

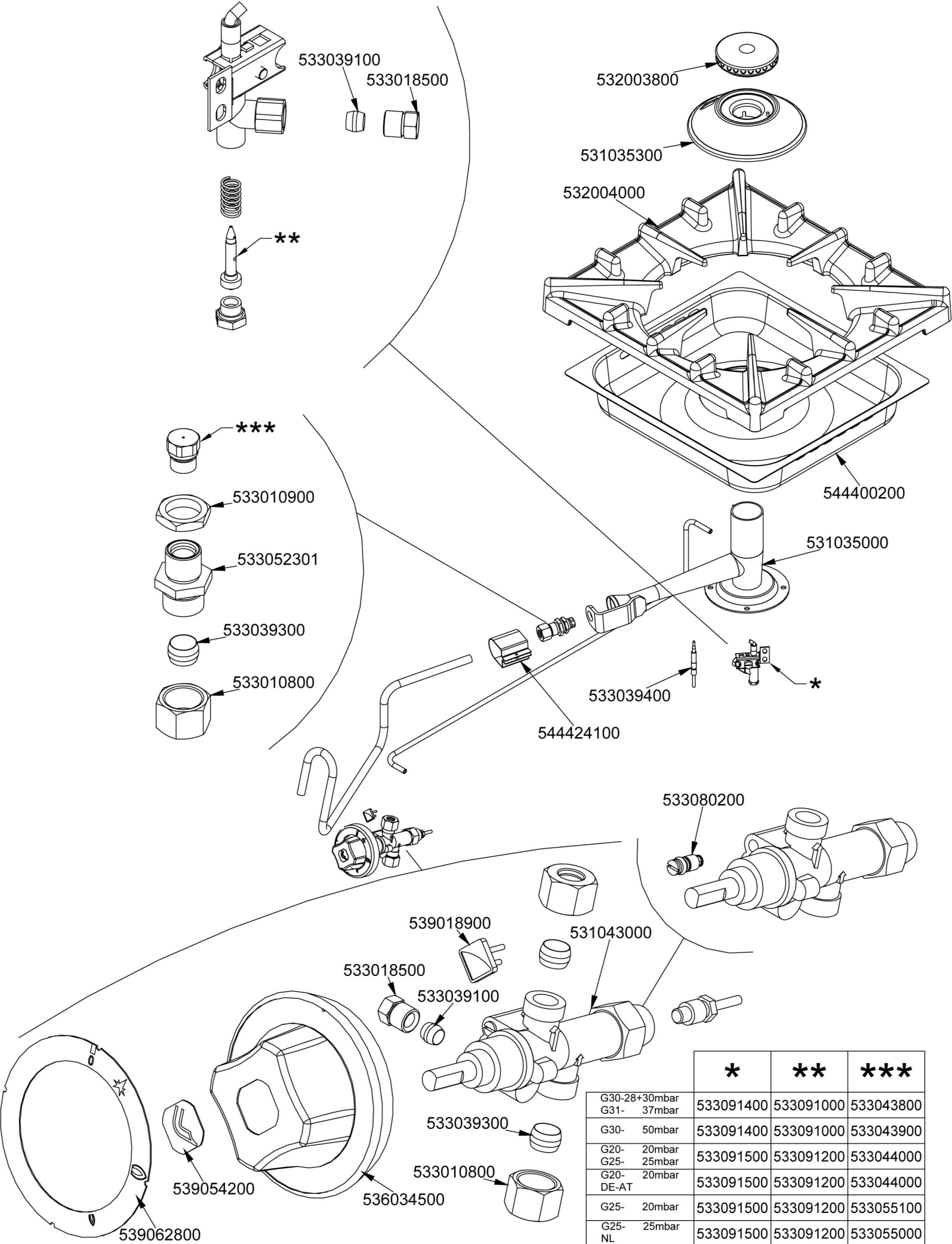




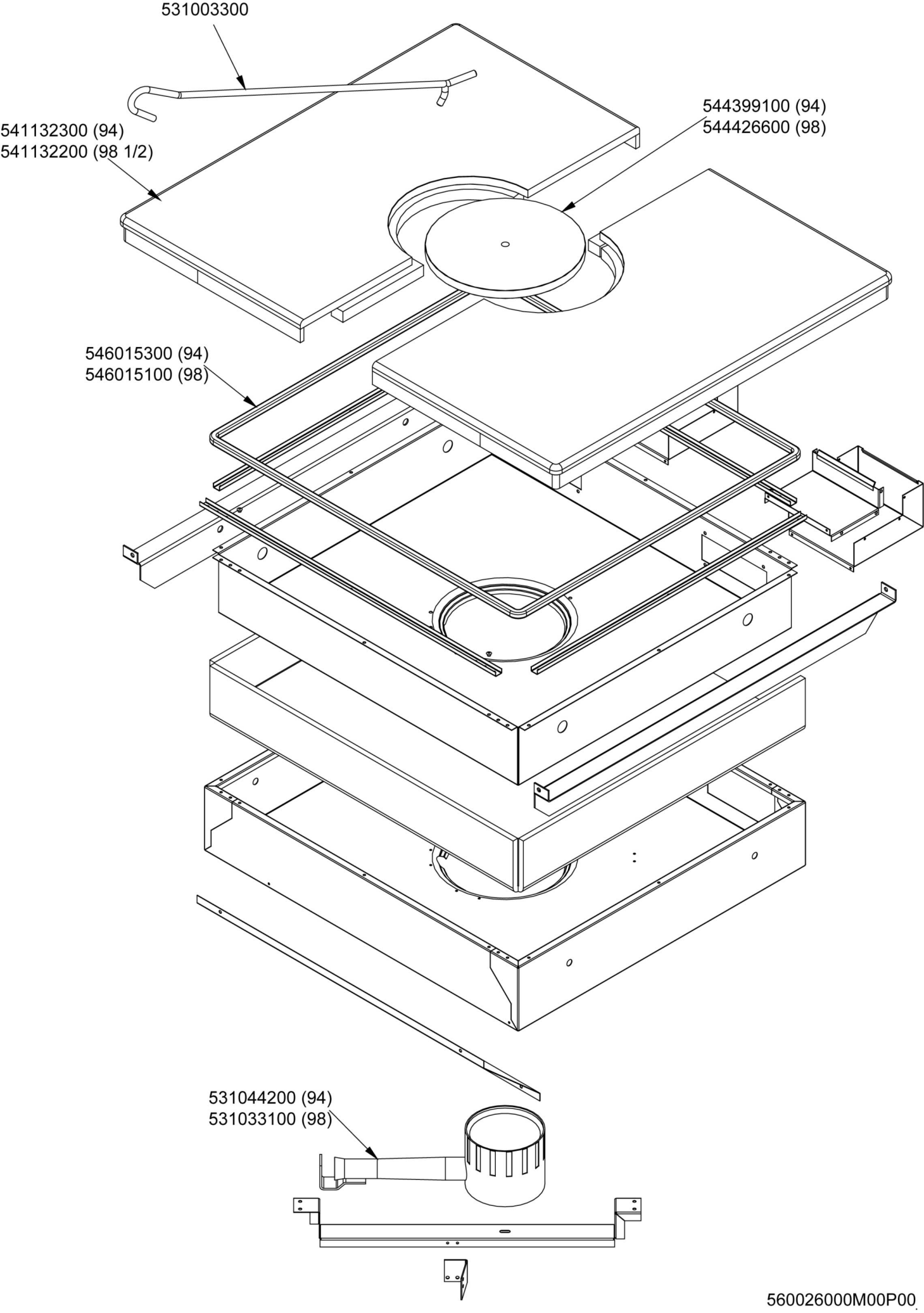




	*	**	***
G30-28+30mbar G31- 37mbar	533091400	533091000	533030800
G30- 50mbar	533091400	533091000	533014800
G20- 20mbar G25- 25mbar	533091500	533091200	533056200
G20- 20mbar DE-AT	533091500	533091200	533056200
G25- 20mbar	533091500	533091200	533015000
G25- 25mbar NL	533091500	533091200	533055400

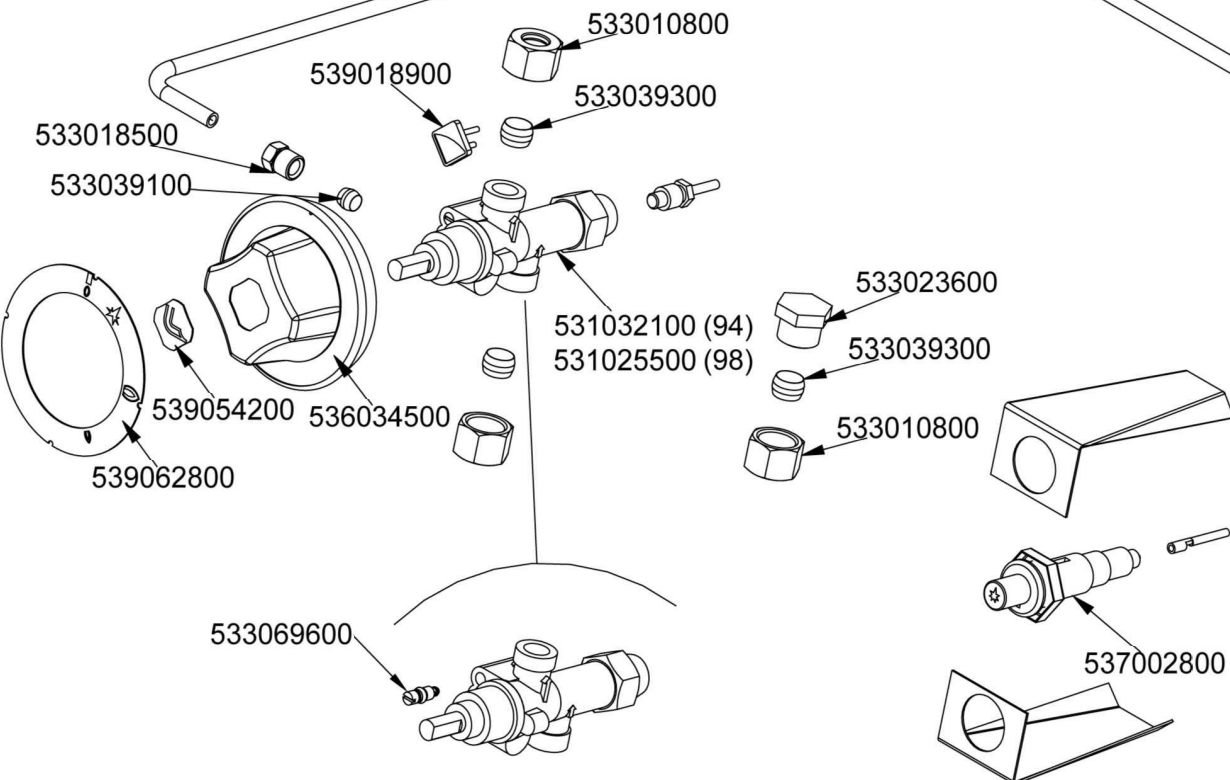
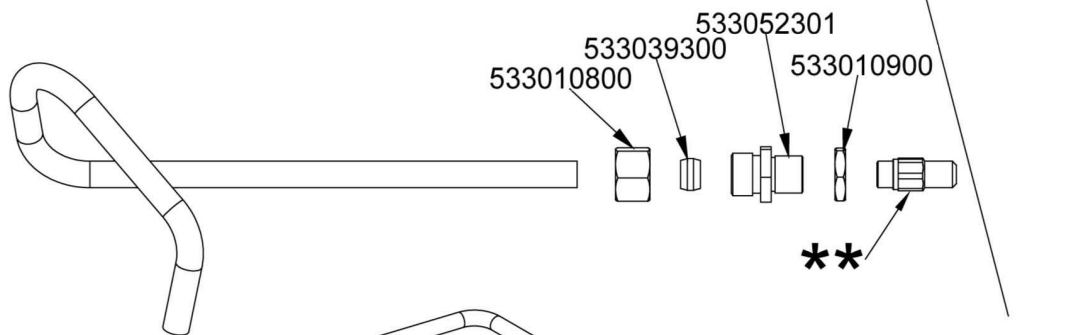
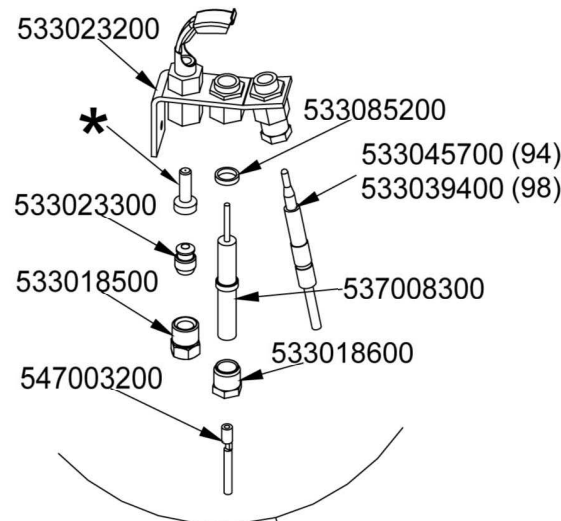


	*	**	***
G30-28+30mbar			
G31- 37mbar	533091400	533091000	533043800
G30- 50mbar	533091400	533091000	533043900
G20- 20mbar	533091500	533091200	533044000
G25- 25mbar	533091500	533091200	533044000
G20- 20mbar DE-AT	533091500	533091200	533044000
G25- 20mbar	533091500	533091200	533055100
G25- 25mbar NL	533091500	533091200	533055000





	*	**	**
		TP-94	TP-98
G30-28+30mbar G31- 37mbar	533020500	533057700	533019600
G30- 50mbar	533020500	533057600	533046200
G20- 20mbar G25- 25mbar	533020600	533047400	533057500
G20- DE-AT	533020600	533047400	533057500
G25- 20mbar	533020600	533047300	533032801
G25- NL	533020600	533047500	533032001
G20- 25mbar	533020600	533046400	



560025900M01P00

Page	Pos	Code	Description
001		532004100	FLUE GRID L=370 90LINE (RAF
001		541118000	UPPER PLATE TP2-912G(TPF2-912G/GV
001		544407200	RIGHT SIDE PANEL RANGE 70 LINE
001		537036500	TERMINAL BLOCK 4POLES 40A SCREW-SCR
001		537027400	TERMINAL BLOCK THREEPHASE 40A
001		541120401	CONTROL PANEL S70/90 TPF2-912GE/GEV
001		544407100	RIGHT SIDE PANEL RANGE 90 LINE
001		536005200	INOX LEG 2" 120-180 M10
002		544187100	OVEN INNER DOOR GN 2/1 70/90LINE
002		531022800	LEFT OVEN DOOR HINGE S.70
002		531013100	OVEN DOOR HANDLE OF 70/90-LINE
002		544186900	OVEN DOOR GN 2/1 70/90LINES
002		531022700	RIGHT OVEN DOOR HINGE 70LINE
002		531022900	HINGE DOOR WHEEL HOLDER S.70
002		541102300	GAS OVEN INNER DOOR GN 3/1 S.70
002		544187000	OVEN DOOR GN 3/1 S.70
003		533037600	LOCK SPRING FOR BULB
003		536035600	OVEN GASKET GN 2/1
003		544443700	PROTEZIONE BULBO FORNO VENTILATO
003		544443800	55 ELECRC OVEN BOTTOM GN1/1
003		531067400	PROTECTION GRID FOR FAN OVEN*S70
003		531067600	LHD GRIDS HOLDER FOR GN1/1-OVEN S70
003		531006701	MAXI OVEN GRID FOR S60/65
003		531067500	RHD GRIDS HOLDER FOR GN1/1-OVEN S70
003		544081000	55 ELECRC OVEN BOTTOM GN1/1
004		539018800	BLANK INDEX FOR KNOB
004		539023800	LABEL FOR OVEN TIMER
004		537012800	SAFETY THERMOSTAT 420°C THREEPHASE
004		537036500	TERMINAL BLOCK 4POLES 40A SCREW-SCR
004		539054200	STAMP O20,5 CR."L" LOTUS R.
004		537014100	WHITE WARNING LIGHT 250V
004		537014200	GREEN WARNING LIGHT 250V
004		539023900	SIGN PLATE FOR OVEN TEMPERATURE
004		537043800	THERMOSTAT 48/300°C THREEPHASE
004		537001200	FIXING BRACKET FOR THERMOSTAT/COMM.
004		537000200	COMMUTATOR 1 POS. 3PHASE S.49 16A
004		539062000	ADESIVE DISK THERMOSTAT OVEN S70
004		531024800	TIMER 120'- 360°
004		536034400	KNOB §77 4P. §06*4,6 C/M
004		539063300	ADESIVE DISK FOR TYMER GREY
004		537041200	S70 MOTORFAN
004		531062900	OVEN FAN O180 S.70
004		537041100	HEATING ELEMENT 5200W 230V3 OVEN
005		544389300	CONTROP.73 SX APP. LT
005		531007600	DOOR HINGE
005		544182501	LEFT DOOR 73
005		533094200	S/S HANDLE FOR 70/90 SERIES
005		533035200	HANDLE SPACER
005		536000200	D.12 H.4 BUMPER
005		544389200	CONTROP.73 DX APP. LT
005		544182401	RIGHT DOOR 73

Page	Pos	Code	Description
005		544182101	LEFT DOOR 74
005		544389500	INNER-DOOR OF LHD 74
005		544389400	CONTROP.74 DX APP. LT
005		544182001	RIGHT DOOR 74
005		544497000	PORTA 72 SX
005		544497100	CONTROP.72 SX APP. LT
005		544185101	RIGHT DOOR 74 CF
005		533107100	HANDLE SPACER OF CF-70
005		544185500	UPPER DOOR HINGE FOR COMPARTME CF70
005		531000900	MAGNET §22 KG.3 WITH DISK
005		544185201	INNER DOOR * 74DX
005		544185400	LOWER DOOR HINGE FOR COMPARTME CF70
005		544663900	LHD 74 DOOR FOR PCI
005		544663800	74 LHD OVEN INNER DOOR FOUR PCI
005		544662700	DOOR 74 DX PCI
005		544662600	CONTROP.74 DX APP. LT PCI
006		533039100	BICONE §6
006		533018500	FITTING FOR BICONE D.6 M10*1
006		532003900	BURNER COVER RING §100
006		531035400	BIG BURNER BODY 90 LINE
006		532004000	1 FLAME GRILL 396X366 (90
006		533010900	NUT M14*1 H.4
006		533039400	THERMOCOUPLE M9*1*850
006		544400300	BURNER DRIP PAN 2/3
006		533052301	JOINT FOR NOZZLE HOLDER
006		531035100	BIG BURNER VENTURI 90 LINE
006		533039300	BICONE §10
006		533010800	TUBE NUT D.10 M16*1,5
006		544424100	AIR ADJUSTMENT BUSHING*BURNER PC90
006		533038800	75 BY-PASS FOR 21S TAP
006		531032000	GAS COCK P.V.BY-PASS Ø075
006		539018900	INDEX FOR KNOB W/RED SIGN
006		536034500	KNOB §77 4P. §08*6,5
006		539054200	STAMP Ø20,5 CR."L" LOTUS R.
006		539062800	RED STICKING DISK 72
006		533091400	P.NOZZLE S100 UG.§20 PC90 LPG-FLUS
006		533091500	PILOT NOZZLE S.100 §30 PC90 NAT.GAS
006		533091000	NOZZLE 0.100 §20
006		533091200	PILOT NOZZLE 0100 Ø35 PIL.PC
006		533030800	NOZZLE §155 CH12X14 M-CW
006		533014800	NOZZLE §135 CH12*14,0
006		533056200	NOZZLE §230 CH12*14
006		533015000	NOZZLE D.I 260 G110 (TOWN GAS
006		533055400	NOZZLE §245 CH12*14
007		533039100	BICONE §6
007		533018500	FITTING FOR BICONE D.6 M10*1
007		532003800	BURNER COVER RING §082
007		531035300	MEDIUM BURNER BODY 90 LINE
007		532004000	1 FLAME GRILL 396X366 (90
007		544400200	BURNER DRIP PAN 2/3
007		533010900	NUT M14*1 H.4

Page	Pos	Code	Description
007		531035000	MEDIUM BURNER VENTURI 90 LINE
007		533052301	JOINT FOR NOZZLE HOLDER
007		533039300	BICONE §10
007		533010800	TUBE NUT D.10 M16*1,5
007		533039400	THERMOCOUPLE M9*1*850
007		544424100	AIR ADJUSTMENT BUSHING*BURNER PC90
007		533080200	BY PASS COCK §65 20S-21S
007		539018900	INDEX FOR KNOB W/RED SIGN
007		531043000	GAS COCK 21S P.V. BY-PASS §065
007		539054200	STAMP Ø20,5 CR."L" LOTUS R.
007		536034500	KNOB §77 4P. §08*6,5
007		539062800	RED STICKING DISK 72
007		533091400	P.NOZZLE S100 UG.§20 PC90 LPG-FLUS
007		533091500	PILOT NOZZLE S.100 §30 PC90 NAT.GAS
007		533091000	NOZZLE 0.100 §20
007		533091200	PILOT NOZZLE 0100 Ø35 PIL.PC
007		533043800	NOZZLE §130 CH12*14 G-CW4
007		533043900	NOZZLE §115 CH12*14 F-CW4
007		533044000	NOZZLE §195 CH12*14 M-CW4
007		533055100	NOZZLE §215 CH12*14 L-CW4
007		533055000	NOZZLE §205 CH12*14 G25 CW4
008		531003300	TP-PLATE LIFTING HOOK
008		541132300	PLATE TP-94G
008		541132200	PLATE TP-98G (1/2
008		544399100	PLATE RING FOR TP-74G TP-94G
008		544426600	PLATE RING FOR TP-98G
008		546015300	SQUARE BRAID 12*12*L=1821
008		546015100	SQUARE BRAID OF INSULATING MATERIAL
008		531044200	CIRCULAR BURNER TP D.066
008		531033100	BURNER TP..-78G
009		533023200	TARGET PILOT + NIPPLE TC BRAC.90°
009		533085200	SPACER FOR PILOT PLUG
009		533045700	THERMOCOUPLE M9*1 500
009		533039400	THERMOCOUPLE M9*1*850
009		533023300	BICONE §6 ("TARGET" PILOT
009		537008300	ROUND PLUG §2,4- LONG ELECTRODE
009		533018500	FITTING FOR BICONE D.6 M10*1
009		547003200	HIGH-VOLTAGE CABLE TUBE.§2 L=500
009		533018600	PLUG FITTING
009		533010900	NUT M14*1 H.4
009		533052301	JOINT FOR NOZZLE HOLDER
009		533039300	BICONE §10
009		533010800	TUBE NUT D.10 M16*1,5
009		539018900	INDEX FOR KNOB W/RED SIGN
009		533039100	BICONE §6
009		539062800	RED STICKING DISK 72
009		539054200	STAMP O20,5 CR."L" LOTUS R.
009		536034500	KNOB §77 4P. §08*6,5
009		531032100	GAS COCK 21S P.V.BY-PASS O100
009		531025500	GAS COCK 21S P.V.BY-PASS O130
009		533023600	TAP PLUG §10 M16*1, 5CH19

Page	Pos	Code	Description
009		533069600	BY PASS COCK §130 20S-21S
009		537002800	PIEZOELECTRIC IGNITION M18 WITH NUT
009		533020500	NOZZLE 0.140 §19
009		533020600	NOZZLE 0.140 §27
009		533057700	NOZZLE §130A CH12*30 F-BRF74
009		533057600	NOZZLE §115A CH12*30 G-BRF74
009		533047400	NOZZLE §195 CH12*30 M-BM8
009		533047300	NOZZLE §215 CH12*30 L-BM8
009		533047500	NOZZLE §205 CH12*30 ML-BM-8G
009		533046400	NOZZLE §185 CH12*30 G-CPM
009		533019600	NOZZLE §165 CH12*30 MH-FT5 H-FT6
009		533046200	NOZZLE §150 CH12X30 L-BR TP
009		533057500	NOZZLE §260 CH12X30
009		533032801	NOZZLE §280 CH12*30 M-CPM
009		533032001	NOZZLE §270 CH12*30 MH-CPM