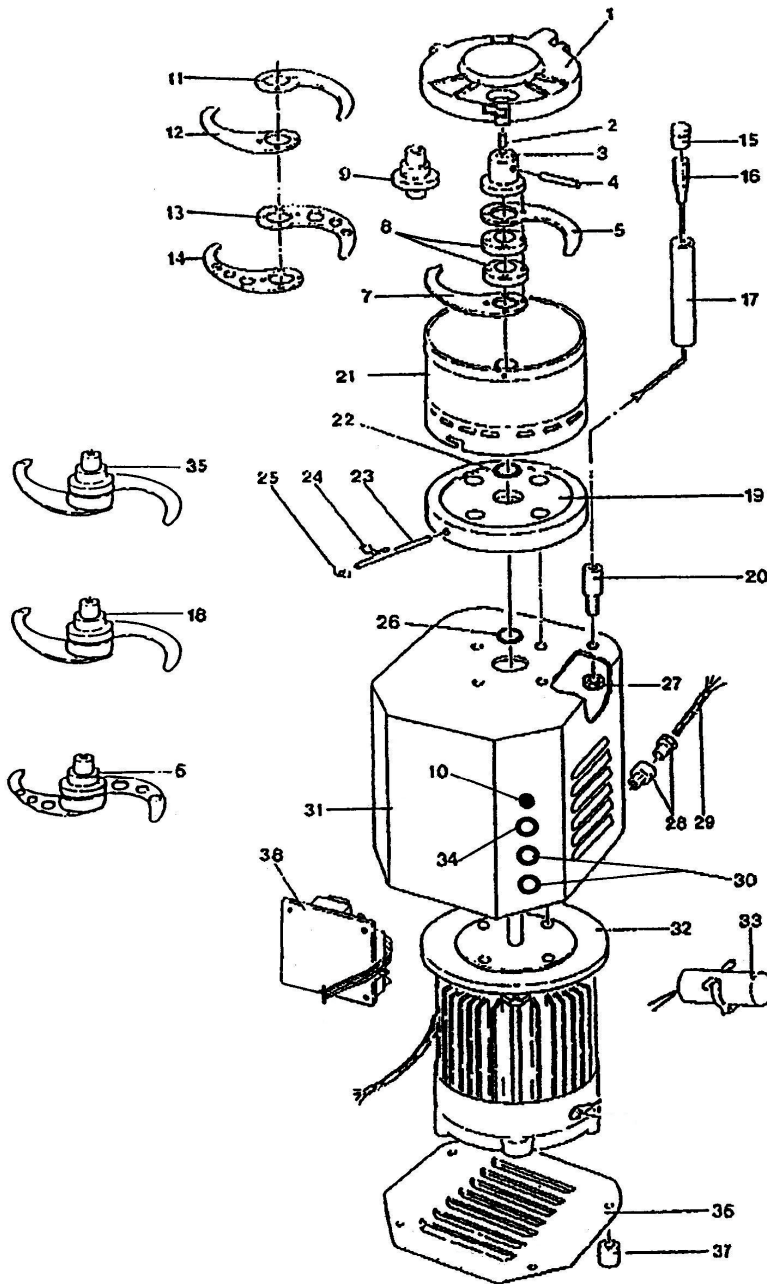


Cutter mod.C300-500-800  
Cutter mod.C300-500-800



## CUTTER MOD.C300-500-800 CUTTER MOD.C300-500-800

Rif No	Codice Code	Caratteristiche Characteristics	Descrizione Description
1	CO2500	(C300)	Coperchio Cover
1	CO2501	(C500-800)	Coperchio Cover
2	CO2502		Grano Grub screw
3	CO2504	(C500-800)	Supporto Support
4	CO2505		Spina Pin
5	CO2513	(C300)	Lama liscia Smooth blade
5	CO2514	(C500-800)	Lama liscia Smooth blade
6	COLC300SI	(C300)	Coltello sbattitore Beater cutter
6	COLC5008I	(C500-800)	Coltello sbattitore Beater cutter
6	COLC5008I	(C500-800 2 speed)	Coltello sbattitore Beater cutter
7	CO2517	(C300)	Lama liscia Smooth blade
7	CO2518	(C500-800)	Lama liscia Smooth blade
8	CO2523	(C300)	Distanziale Spacer
8	CO2524	(C500-800)	Distanziale Spacer
9	CO2503	(C300)	Supporto Support
10	SL1051		Lampada Lamp
11	CO2555	(C300)	Lama dentata Toothed blade
11	CO2556	(C500-800)	Lama dentata Toothed blade
12	CO2557	(C300)	Lama dentata Toothed blade
12	CO2558	(C500-800)	Lama dentata Toothed blade
13	CO2559	(C300)	Lama sbattitrice Beater blade
13	CO2560	(C500-800)	Lama sbattitrice Beater blade
14	CO2561	(C300)	Lama sbattitrice Beater blade
14	CO2562	(C500-800)	Lama sbattitrice Beater blade
15	CO2520		Copertura Covering
16	CO2521		Microinterruttore Microswitch
17	CO2522		Distanziale Spacer
18	COLC300D	(C300)	Coltello dentato Toothed cutter
18	COLC5008D	(C500-800)	Coltello dentato Toothed cutter
18	COLC5008D	(C500-800 2 speed)	Coltello dentato Toothed cutter
19	CO2511	(C300)	Flangia Flange
19	CO2512	(C500-800)	Flangia Flange
20	CO2527		Perno Pivot
21	CO2506	(C300)	Pentola Pan
21	CO2507	(C500)	Pentola Pan
21	CO2508	(C800)	Pentola Pan
22	CO2510		Anello Ring
23	CO2531		Perno Pivot
24	CO2532		Molla Spring
25	CO2533		Boccola Bush
26	CO2519		Paraolio Oil seal
26	CO2554		Paraolio Oil seal
27	CO2563		Dado Nut
28	CO2537		Pressacavo Cable clamp
29	SL1671	1Ph+N+Gnd	Cavo elettrico Electric cable
29	SL1841	3Ph+Gnd	Cavo elettrico Electric cable
30	SL1049	Start	Pulsante Push button
30	SL0901	2 speed	Pulsante Push button
30	SL1539	Impulse	Pulsante Push button
31	CO2525	(C300)	Carcassa Housing
31	CO2526	(C500-800)	Carcassa Housing
32	CO2546	400V/3Ph/50Hz (C300)	Motore Motor
32	CO2547	230V/1Ph/50Hz (C300)	Motore Motor
32	CO2548	400V/3Ph/50Hz (C500-800)	Motore Motor
32	CO2549	230V/1Ph/50Hz (C500-800)	Motore Motor
32	CO2550	400V/3Ph/50Hz (C500-800)	Motore 700/1400rpm Motor 700/1400rpm
32	CO2565	400V/3Ph/50Hz (C500-800)	Motore 1400/2800rpm Motor 1400/2800rpm
33	CO2534	(C300)	Condensatore Condenser
33	CO2564	(C500-800)	Condensatore Condenser
34	SL0945	Stop	Pulsante Push button
35	COLC300T	(C300)	Coltello liscio Smooth cutter
35	COLC5008T	(C500-800)	Coltello liscio Smooth cutter
35	COLC5008T	(C500-800 2 speed)	Coltello liscio Smooth cutter
36	CO2551	(C300)	Fondo Bottom
36	CO2552	(C500-800)	Fondo Bottom
37	CO2543		Piedino Foot
38	CO2541	400V/3Ph/50Hz	Scheda elettronica Electronic card
38	CO2542	230V/1Ph/50Hz	Scheda elettronica Electronic card
38	CO2553	400V/3Ph/50Hz (2 speed)	Scheda elettronica Electronic card

(\*): fuori produzione / out of production