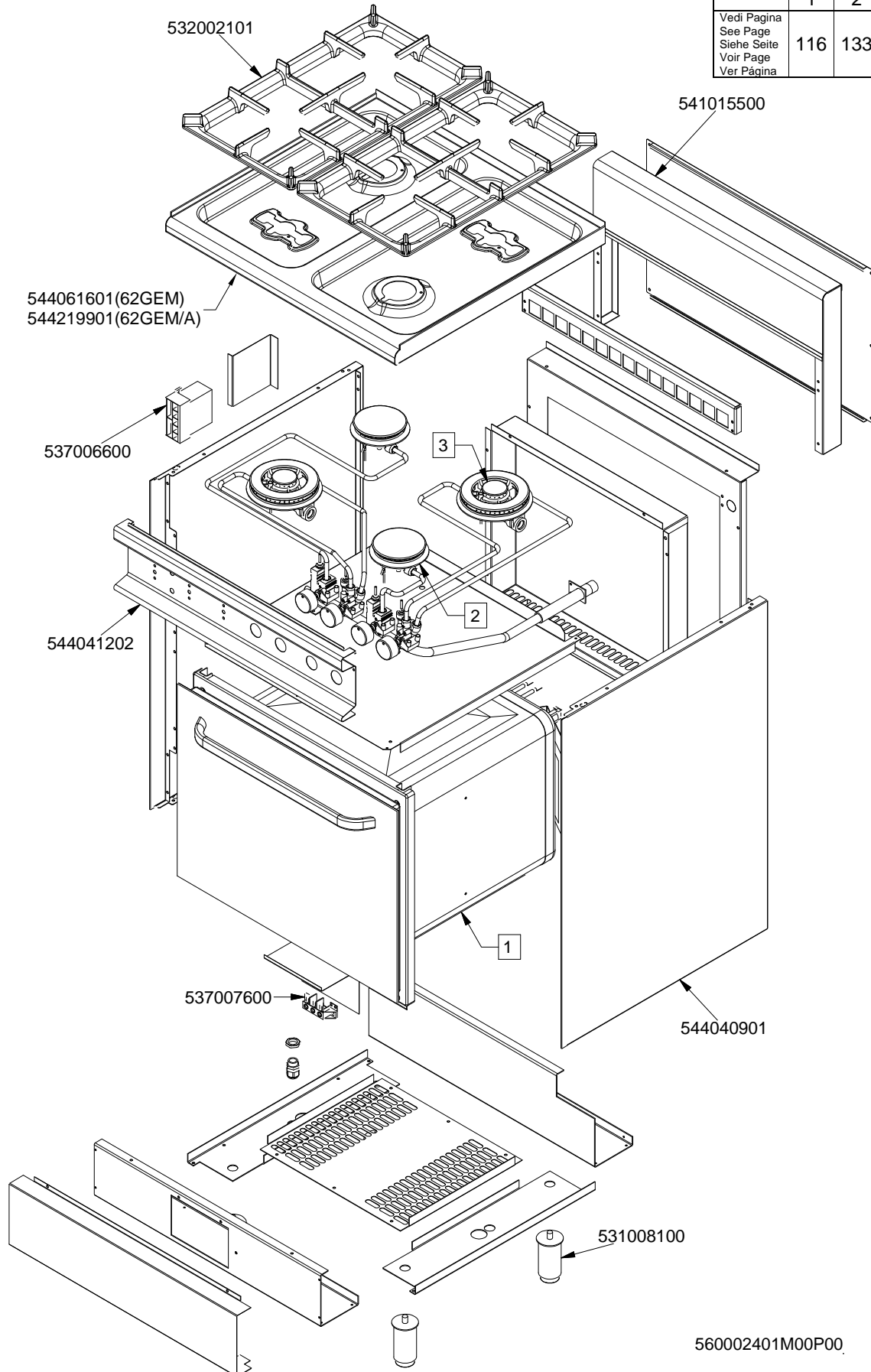


MAGIC SNACK 60

CUCINE / RANGES / HERDE / CUISINIÈRES / N° 20310
CF-62

CF-62GEM CF-62GEM/A

	1	2	3
Vedi Pagina			
See Page	116	133	134
Siehe Seite			
Voir Page			
Ver Pàgina			



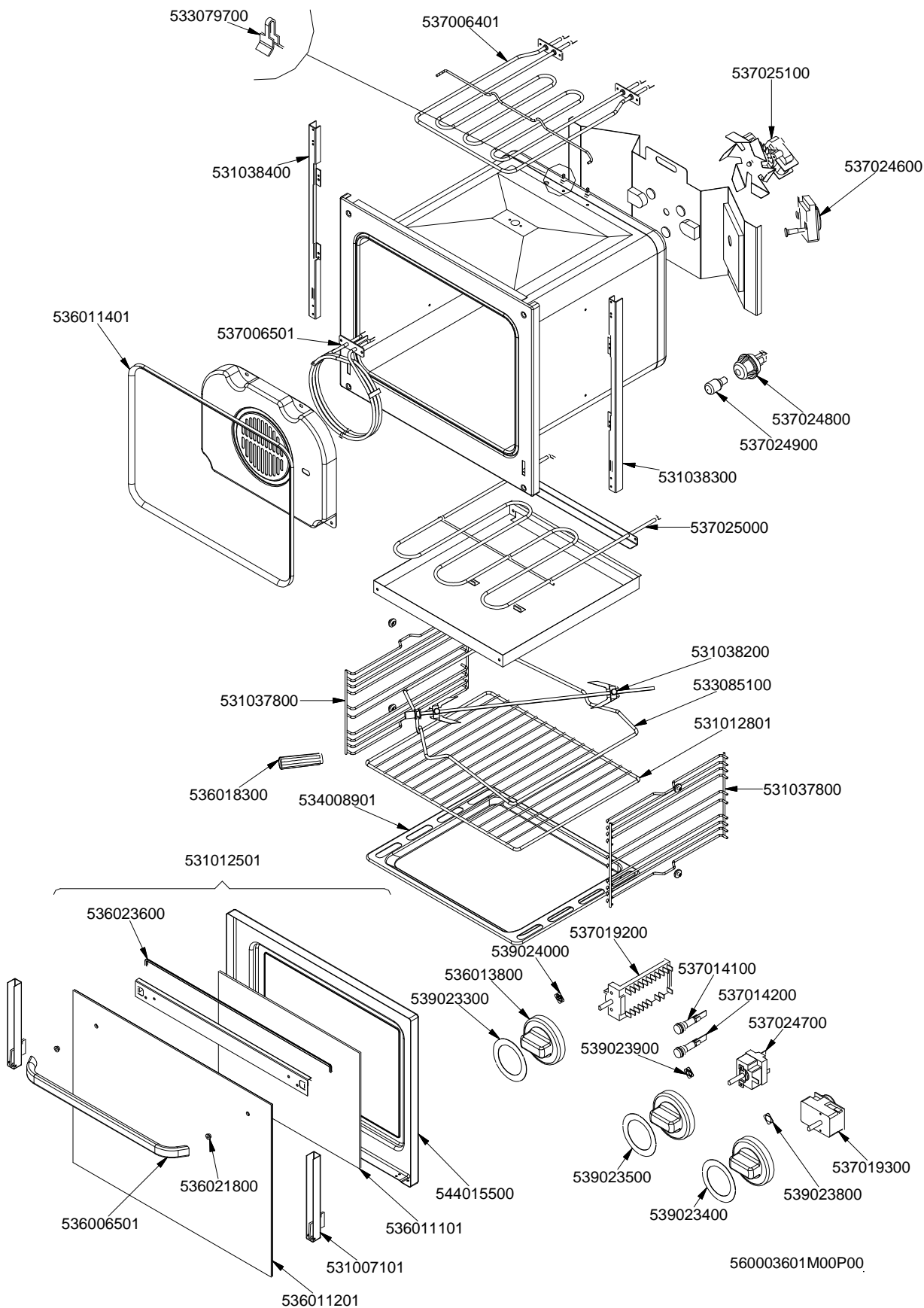
560002401M00P00

MAGIC SNACK 60

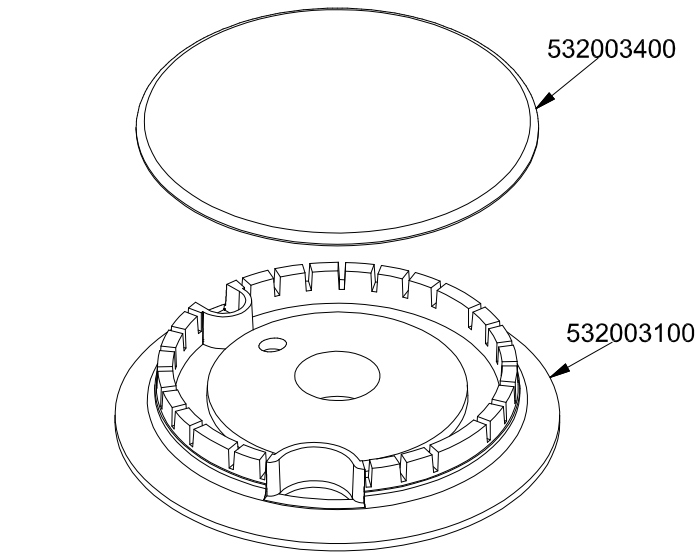
CUCINE / RANGES / HERDE / CUISINIÈRES / N° 0310

FORNO / OVEN / BACKOFEN / FOUR / CF-62

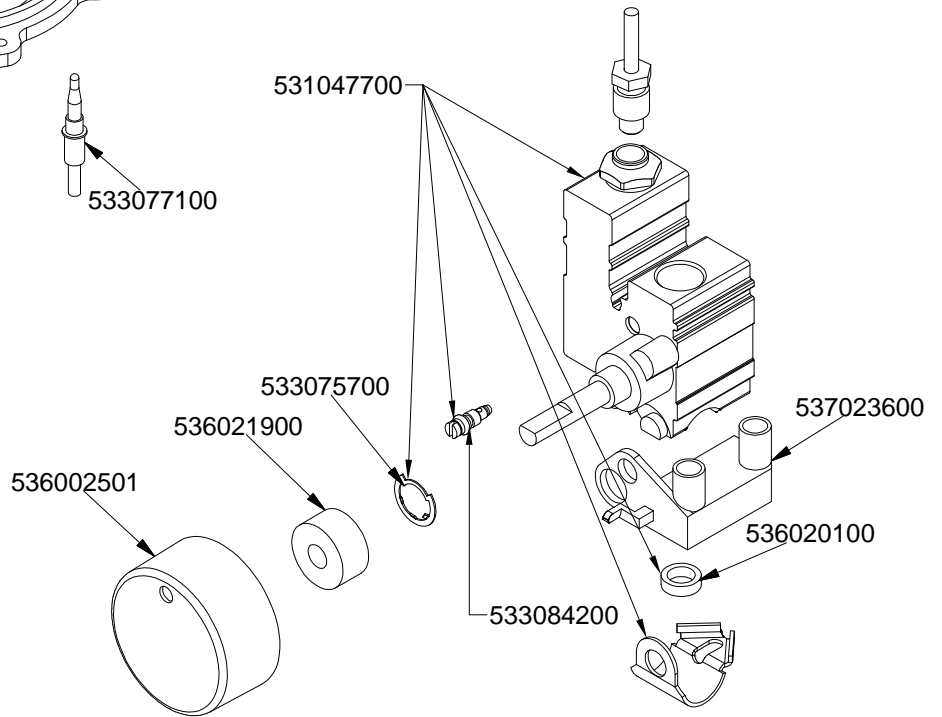
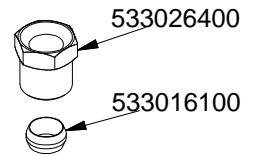
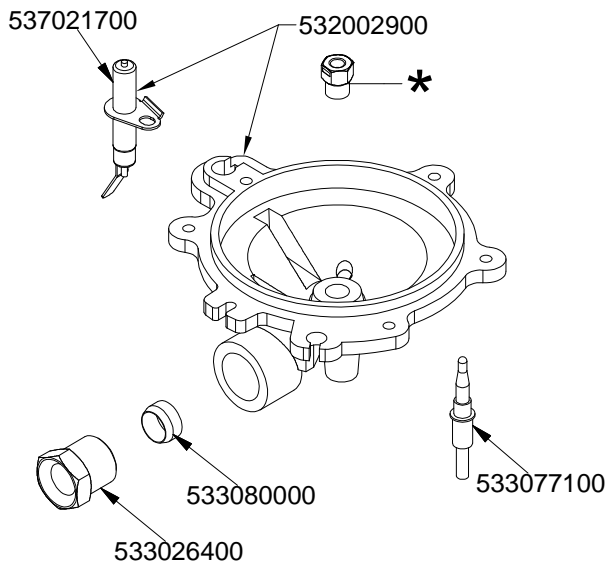
ELETTORICO MULTIFUNZIONE / MULTIFUNCTION ELECTRIC / MULTIFUNKTIONS
ELEKTRO / ELECTRIQUE A FONCTIONS MULTIPLES ≤0706



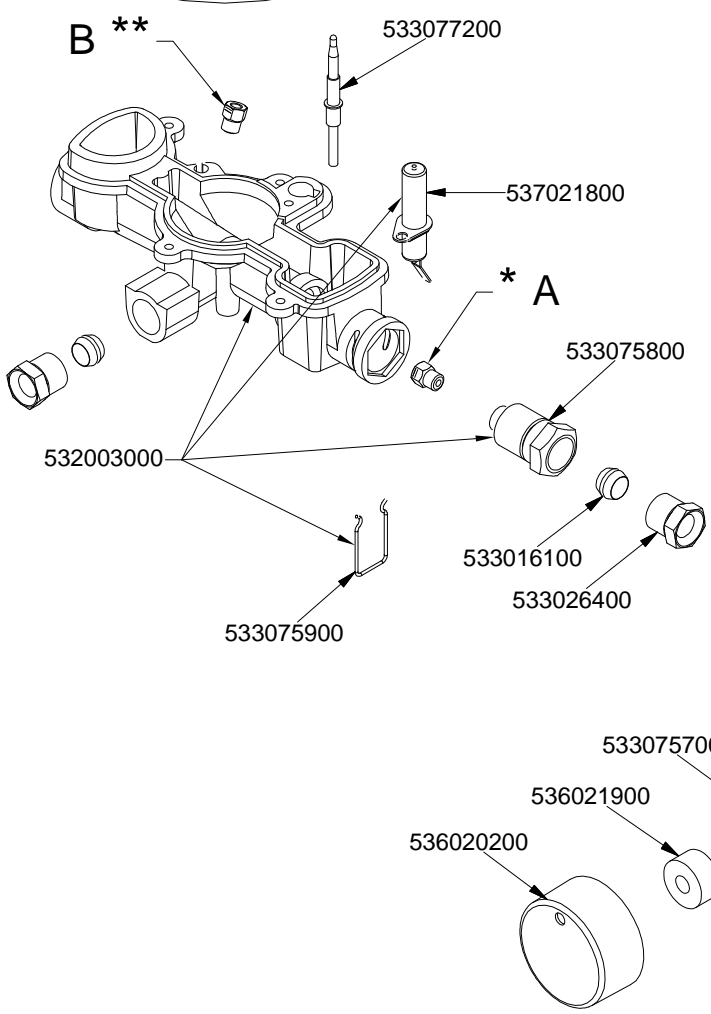
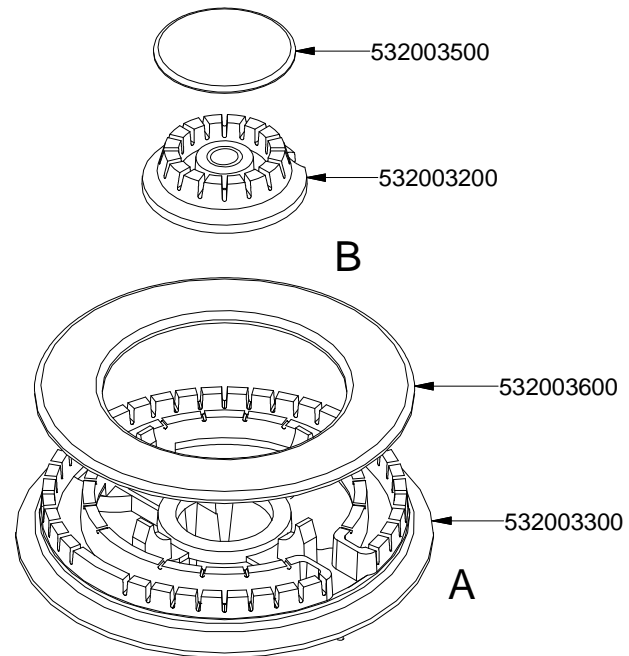
PC-G R N



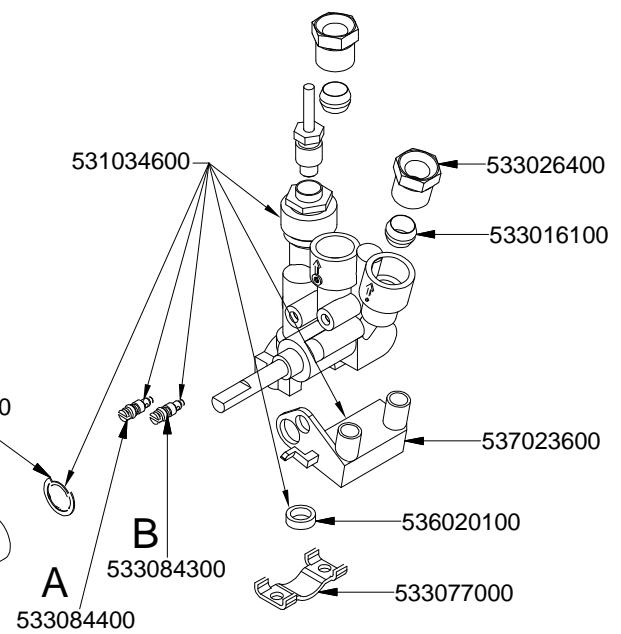
	*
G30-28+30mbar G31- 37mbar	533080600
G30- 50mbar	533083700
G20- 20mbar G25- 25mbar	533080700
G20- 20mbar DE-AT	533080700
G25- 20mbar	533080800
G25- 25mbar NL	533080900
G20- 25mbar	



PC-G WOK



	*	**
G30-28+30mbar G31- 37mbar	533081000	533082200
G30- 50mbar	533082300	533083000
G20- 20mbar G25- 25mbar	533081200	533081100
G20- DE-AT	533081200	533081100
G25- 20mbar	533081400	533081300
G25- NL	533081500	533081300



560025101M00P00

Page	Pos	Code	Description
001		532002101	GRILL 2 BURNERS 292X507 (60)
001		541015500	NEUTRAL SPACER 62
001		544219901	UPPER PLATE CF-62G/A (NEW MOD.)
001		537006600	IGNITION UNIT 4 FLAMES V230
001		544041202	CONTROL PANEL FOR CF-62GE CE
001		537007600	TERMINAL BLOCK SINGLEPHASE 40A
001		544040901	SIDE RANGE CF-62
001		531008100	ADJUSTABLE LEG H9 CHROME
002		533079700	LOCK SPRING FOR BULB §3/§4
002		537006401	GRILL HEATING EL.W3100 V230 CF-62
002		537025100	FAN FOR MULTIF.OVEN CF-62E
002		537024600	SPIT MOTOR FOR CF-8/10E V230
002		531038400	LHD DOOR WHEEL HOLDER MUL.OVEN CF62
002		536011401	OVEN GASKET CF-62
002		537006501	CIRC.HEATING EL. W2400 V230 CF-62
002		537024800	OVEN BULB-SOCKET CF-62E
002		537024900	OVEN BULB 15W 300°C MAXI OVEN
002		531038300	RHD DOOR WHEEL HOLDER F.MULTIF-OVEN
002		537025000	OVEN LOW.HEATING EL.W1200 V230 CF62
002		531038200	SPIT FOR MULTIF. NEW OVEN CF-62
002		533085100	GRID FOR SPIT SUPPORT MULT.OV.CF-62
002		531012801	OVEN GRID CF-62
002		531037800	SUPPORT GRID OVEN NEW CF-62E
002		536018300	GRIP FOR ROTATING SPIT
002		534008901	OVEN DRIPPING-PAN CF-62
002		531012501	COMPLETE OVEN DOOR CF-62
002		536023600	GASKET FOR GLASS DOOR CF-62E
002		539023500	ADHESIVE GRAD.DISC *E.MULTIF.TERM.
002		536006501	NEW OVEN DOOR HANDLE CF-62
002		536021800	DOOR HANDLE SPACER FOR MAXI OVEN
002		536011101	INTERNAL GLASS FOR OVEN DOOR CF-62
002		531007101	OVEN DOOR HINGE FOR CF-62
002		536011201	EXTERNAL GLASS FOR OVEN DOOR CF-62
002		537019200	SELECTOR FOR MULTIFUNCTION OVEN
002		539024000	SIGN PLATE FOR OVEN SELECTOR
002		536013800	KNOB D.70 BLACK 6*5 WITH SPRING
002		537014100	WHITE WARNING LIGHT 250V
002		539023300	ADHESIVE GRADUATED DISC FOR KNOB
002		537014200	GREEN WARNING LIGHT 250V
002		537024700	SINGLEPH.THERMOST.45-250°C MULTI.OV
002		539023900	SIGN PLATE FOR OVEN TEMPERATURE
002		537019300	TIMER FOR MULTIFUNCTION OVEN
002		544015500	INNER DOOR OF OVEN CF-62
002		539023800	SIGN PLATE FOR OVEN TIMER
002		539023400	ADHESIVE GRADUATED DISC F.KNOB
003		532003400	QUICK BURNER COVER
003		532003100	QUICK BURNER RING 640
003		537021700	PLUG IGNITION FOR QUICK BURNER
003		532002900	QUICK BURNER BODY 740
003		533026400	ELBOW FOR BICONE D.8 M13X1
003		533016100	BICONE D.8

Page	Pos	Code	Description
003		531047700	TAP WITH VALVE 699 BY PASS § 40
003		533077100	THERMOCOUPLE 600 M8*1 QUICK BURNER
003		533080000	BICONE § 8
003		533075700	
003		536021900	MAN.EXTENSION MICRO DRIVING TAP 60
003		536002501	COCK KNOB SNACK PC
003		537023600	MICRO-SWITCH FOR COCK 250V 0,0054
003		536020100	TAP GASKET 699
003		533084200	BY PASS COCK §40 699
003		533080600	NOZZLE §88 CH7*9,3 G30-30 R
003		533083700	NOZZLE §80 CH7*22 G30-50 R
003		533080700	NOZZLE §134 CH7*9,3 G20-20 R
003		533080800	NOZZLE §143 CH7*9,3 G25-20 R
003		533080900	NOZZLE §134A CH7*9,3 G25-25NL R
004		532003500	CENTRAL BURNER COVER WOK
004		532003200	CENTRAL BURNER RING WOK 647
004		532003600	EXTERNAL BURNER COVER WOK
004		532003300	EXTERNAL BURNER RING WOK
004		533077200	THERMOCOUPLE 600 M8*1 QUICK BURNER
004		537021800	PLUG IGNITION FOR WOK-BURNER
004		533075800	FITTING FOR NOZZLE-SUPPORT M12X1,25
004		532003000	BURNER BODY WOK 743
004		533016100	BICONE D.8
004		533026400	ELBOW FOR BICONE D.8 M13X1
004		533075900	
004		531034600	TAP WITH VALVE 2OUT009 BYPASS 32/57
004		533075700	
004		537023600	MICRO-SWITCH FOR COCK 250V 0,0054
004		536021900	MAN.EXTENSION MICRO DRIVING TAP 60
004		536020200	COCK KNOB SNACK 2. PC
004		536020100	TAP GASKET 699
004		533084300	BY PASS COCK §32 009
004		533077000	TAP BRIDLE 2 OUT 009
004		533084400	BY PASS COCK §57 009
004		533081000	NOZZLE §84 CH7*9,3 G30-30 W EST.
004		533082200	NOZZLE §51 CH7*11 G30-30 W INT.
004		533082300	NOZZLE §76 CH7*11 G30-50 W.EXT.
004		533083000	NOZZLE §51 CH7*20 G30-50 W INT.
004		533081200	NOZZLE §130 CH7*9,3 G20-20 W EST.
004		533081100	NOZZLE §80 CH7*9,3 G20-20 W INT.
004		533081400	NOZZLE §142 CH7*9,3 G25-20 W EST.
004		533081300	NOZZLE §125 G20
004		533081500	NOZZLE §135 CH7*9,3 G25-25NL W EST.