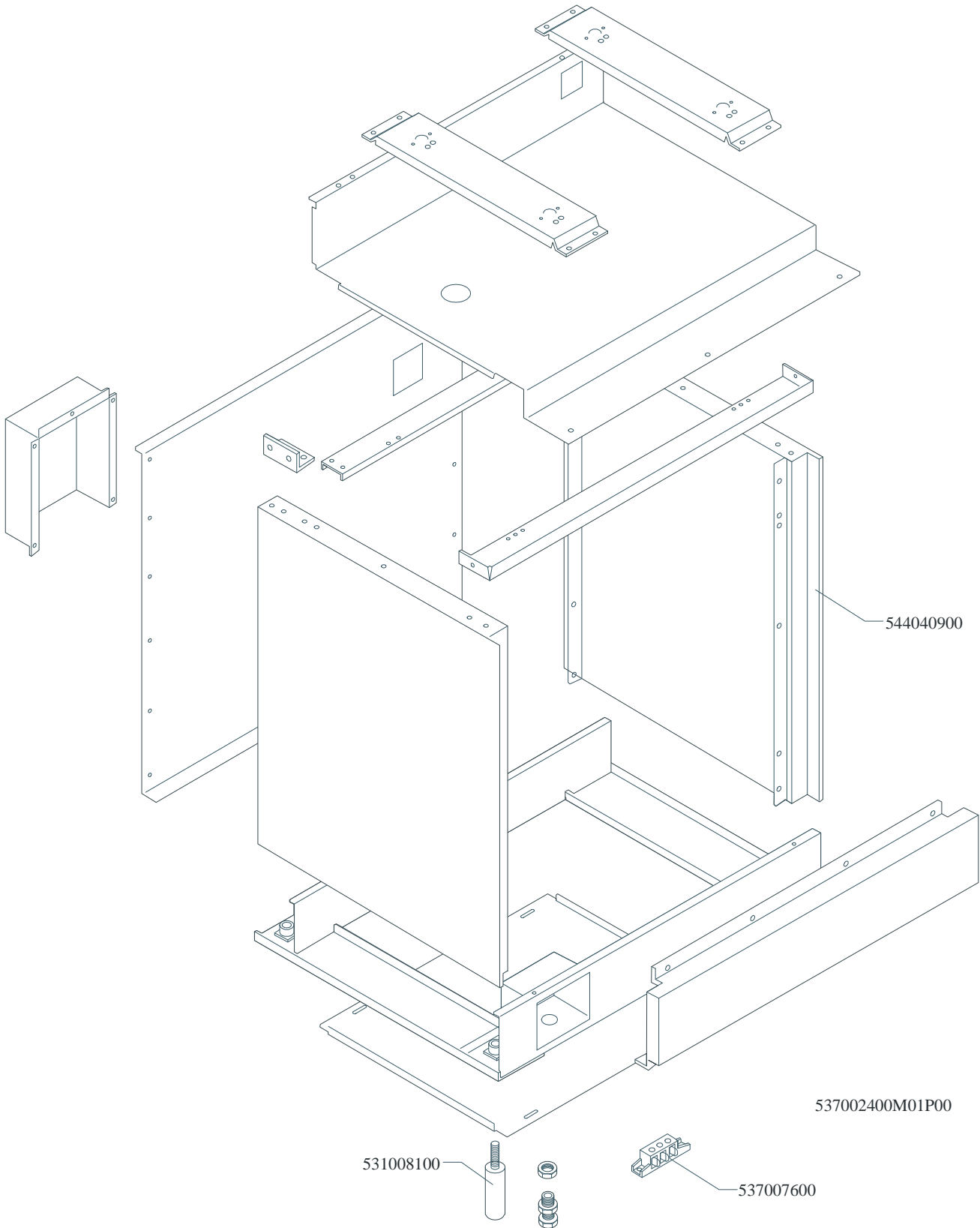


**MAGIC SNACK 60**  
CUCINE / RANGES / HERDE / CUISINIÈRES / N° 0309  
CF-62

**CF-62GEM CF-62GEM/A**



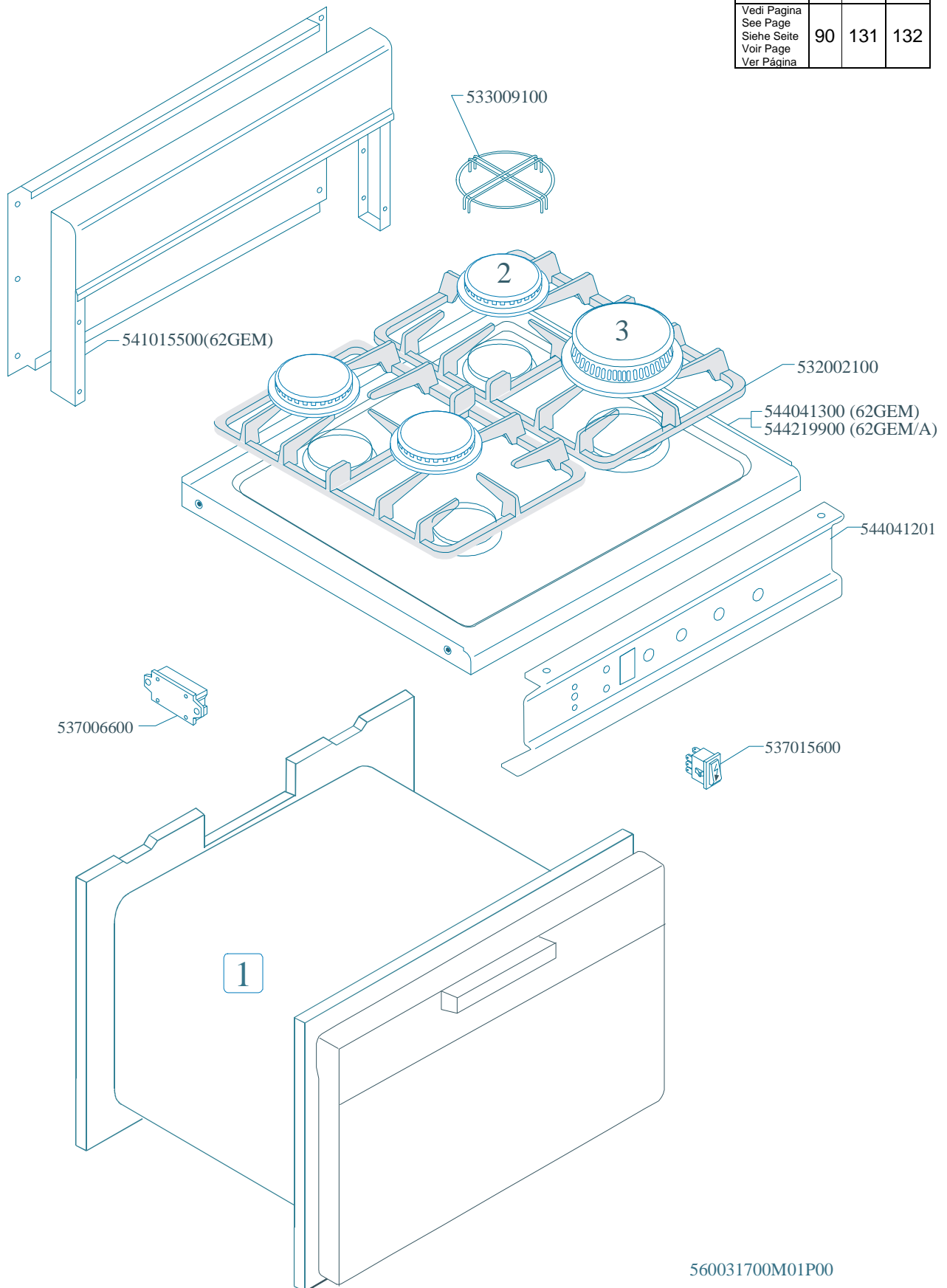
# MAGIC SNACK 60

CUCINE / RANGES / HERDE / CUISINIÈRES / N° 0309

CF-62

CF-62GEM CF-62GEM/A

	1	2	3
Vedi Pagina See Page Siehe Seite Voir Page Ver Pàgina	90	131	132



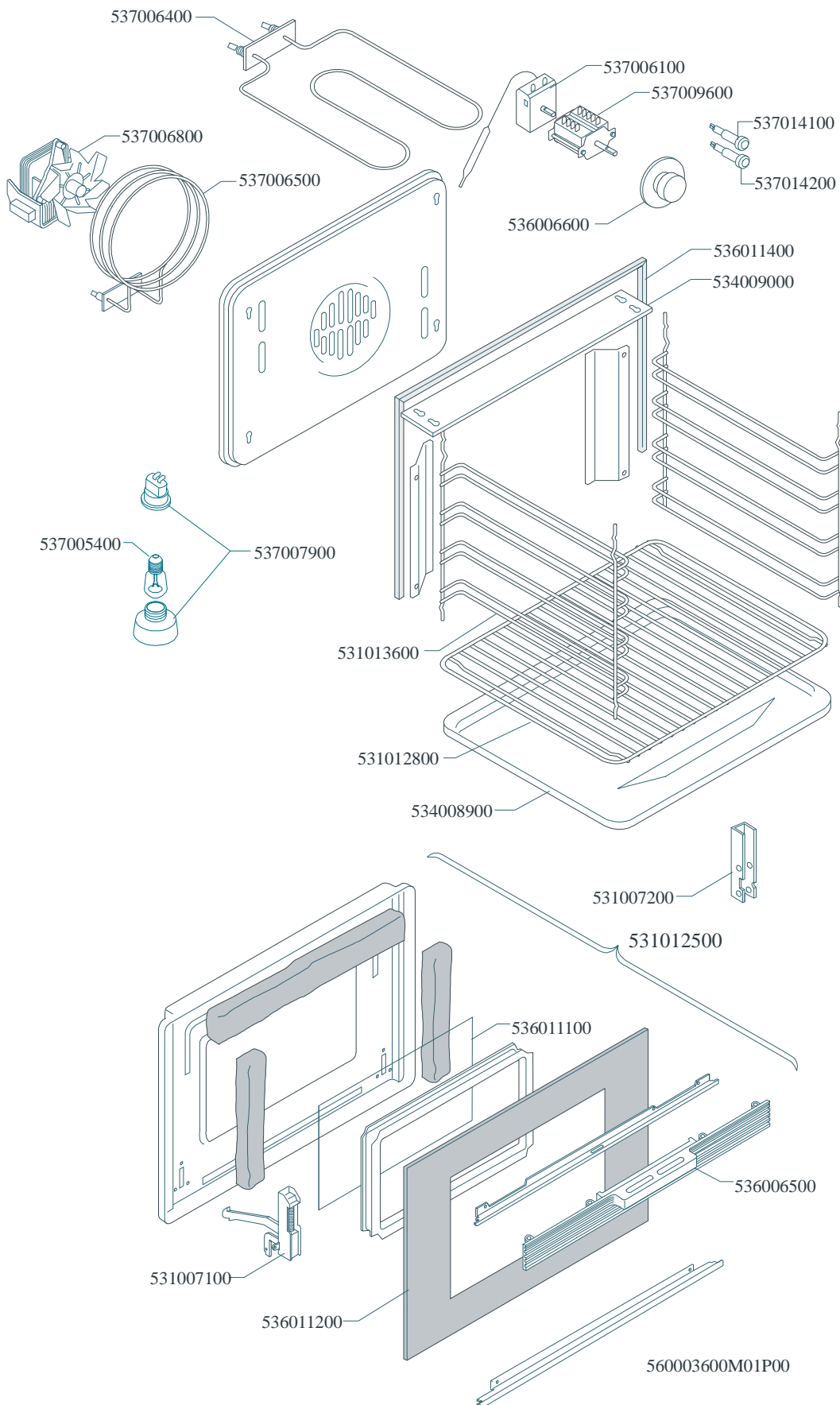
560031700M01P00

# MAGIC SNACK 60

CUCINE / RANGES / HERDE / CUISINIÈRES / N° 0309

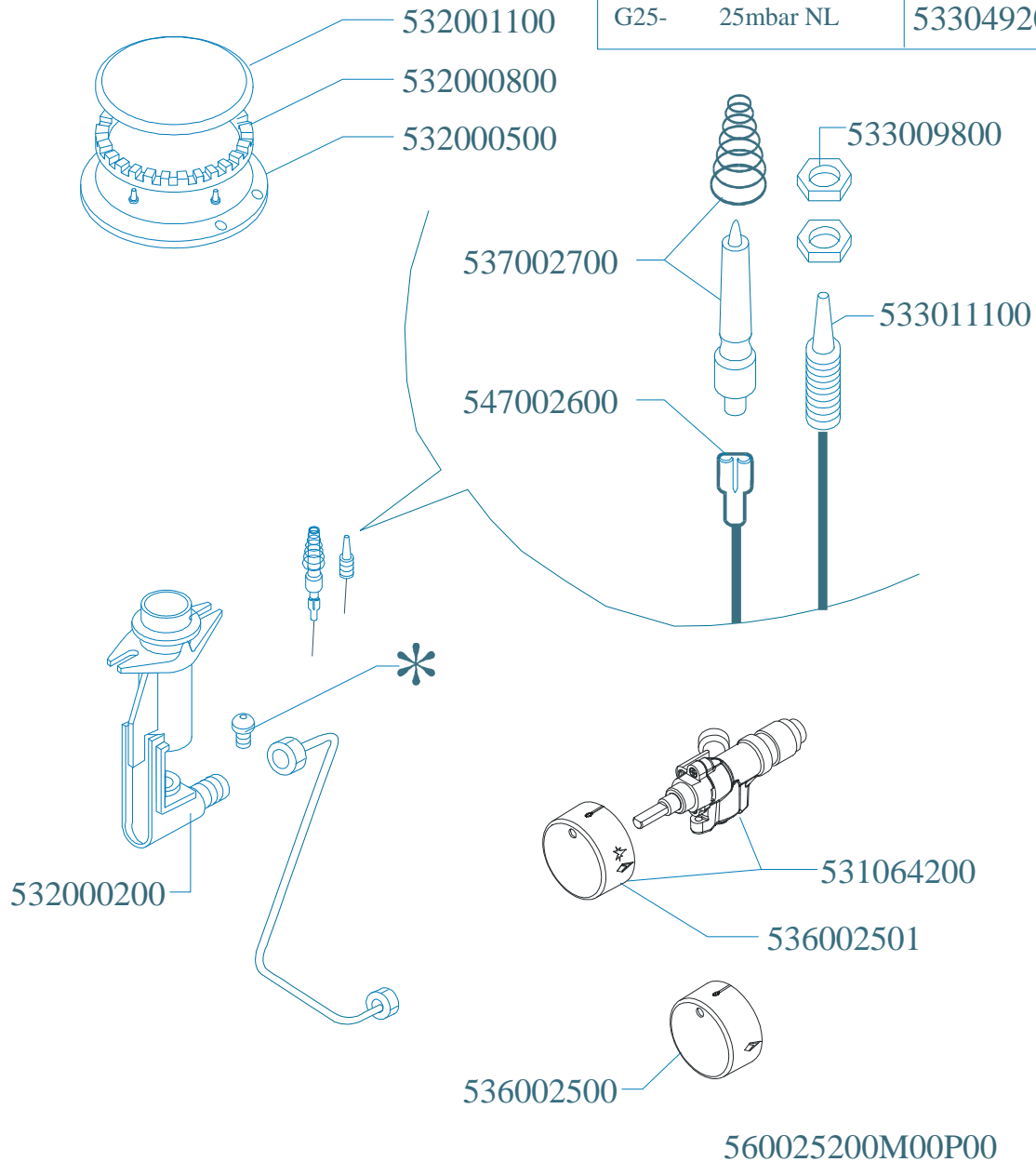
FORNO / OVEN / BACKOFEN / FOUR / CF-62

ELETTRICO MULTIFUNZIONE / MULTIFUNCTION ELECTRIC / MULTIFUNKTIONS  
ELEKTRO / ELECTRIQUE A FONCTIONS MULTIPLES

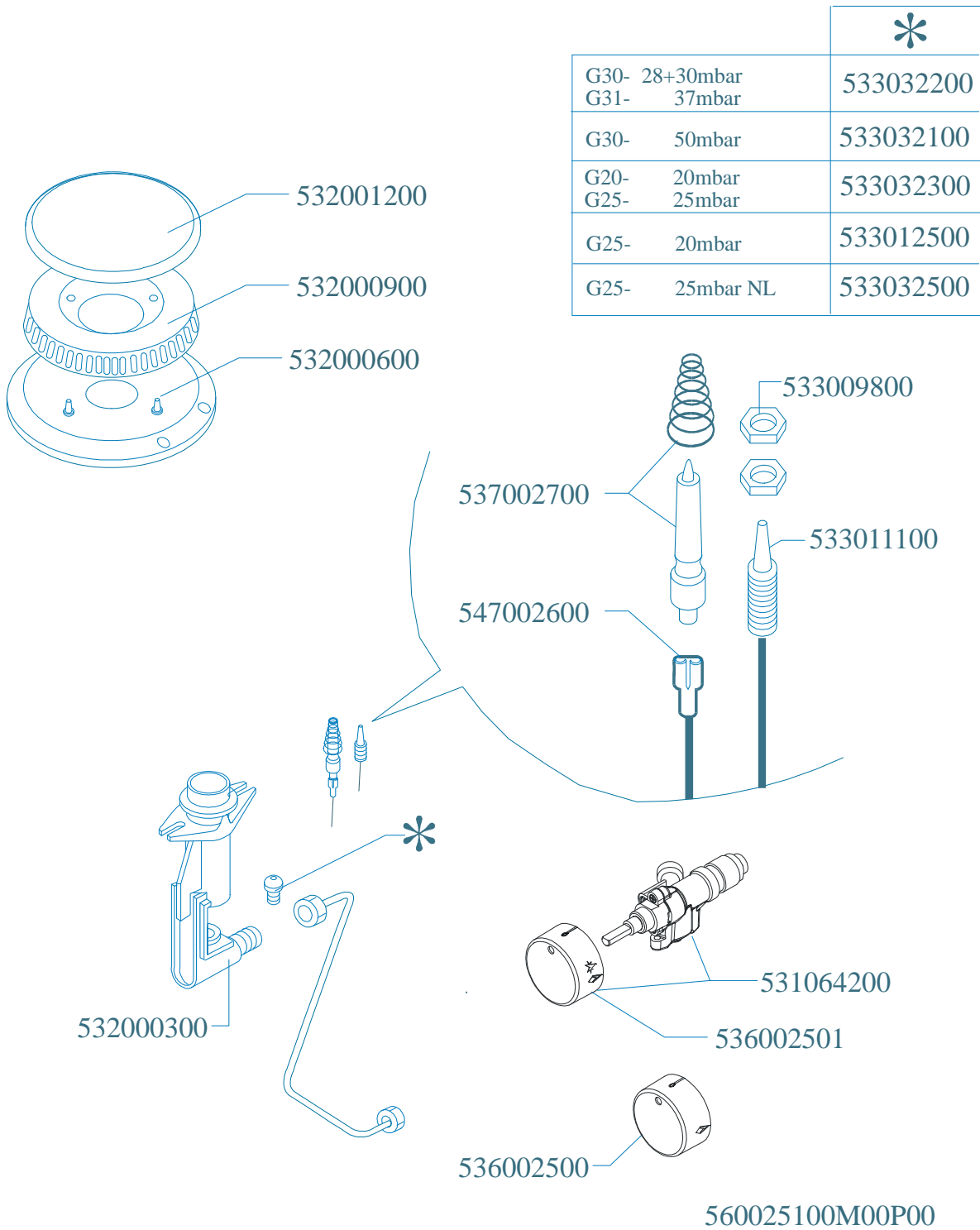


**PC-G R V**

	*
G30- 28+30mbar G31- 37mbar	533032100
G30- 50mbar	533049000
G20- 20mbar G25- 25mbar	533049100
G25- 20mbar	533032400
G25- 25mbar NL	533049200



**PC-G UR**



Page	Pos	Code	Description
001		544040900	SIDE RANGE CF-62
001		531008100	ADJUSTABLE LEG H9 CHROME
001		537007600	TERMINAL BLOCK SINGLEPHASE 40A
002		533009100	REDUCTION S.60
002		541015500	NEUTRAL SPACER 62
002		532002100	2 BURNERS GRID
002		544041300	UPPER PLATE CF-62G
002		544041201	CONTROL PANEL FOR CF-62GE CE
002		537006600	IGNITION UNIT 4 FLAMES V230
002		537015600	BIPOLAR SWITCH
003		537006400	OVEN HEATING EL.W1500 V220 CF-62
003		537006800	FAN 240V CF-62
003		537006500	HEATING ELEMENT W2000 V230 CF-62
003		537006100	OVEN THERMOSTAT CF-62/8/10
003		537009600	OVEN COMMUTATOR CF-62E
003		537014100	WHITE WARNING LIGHT 250V
003		537014200	GREEN WARNING LIGHT 250V
003		536006600	OVEN KNOB CF-62
003		536011400	OVEN GASKET CF-62
003		534009000	GRILL PROTECTION CF-62
003		537007900	OVEN BULB-SOCKET
003		537005400	OVEN BULB 15W 300°C
003		531013600	SIDE GRID FOR MAXI/VENTILATED OVEN
003		531012800	OVEN GRID CF-62
003		534008900	OVEN DRIPPING-PAN CF-62
003		531007200	DOOR WHEEL HOLDER CF-62
003		531012500	COMPLETE OVEN DOOR CF-62
003		536011100	INTERNAL GLASS FOR OVEN DOOR CF62
003		536006500	OVEN DOOR HANDLE CF-62
003		531007100	OVEN DOOR HINGE FOR CF-62
003		536011200	EXTERNAL GLASS FOR OVEN DOOR CF-62
004		533032100	NOZZLE §82 CH9*10 CE G-R
004		533049000	NOZZLE §72 CH9*10 F-R
004		533049100	NOZZLE §125 CH9*10 H-R
004		533032400	NOZZLE §135 CH9*10 L-R
004		533049200	NOZZLE §130 CH9*10 AARD.L-R
004		532001100	QUICK BURNER COVER IN CAST IRON
004		532000800	QUICK BURNER RING
004		532000500	QUICK BURNER SUPPORT 2HOLES
004		537002700	PLUG WITH SPRING H57
004		547002600	HIGH-VOLTAGE CABLE L=500
004		533009800	BRASS NUT M8*1
004		533011100	THERMOCOUPLE 600 M8*1
004		531064200	GAS COCK 22-3403 WITH KNOB
004		532000200	QUICK BURNER VENTURI
004		536002501	COCK KNOB SNACK PC
004		536002500	COCK KNOB
005		533032200	NOZZLE §96 CH9*10 CE G-UR
005		533032100	NOZZLE §82 CH9*10 CE G-R
005		533032300	NOZZLE §142 G20
005		533012500	NOZZLE §160 CH9*10 L-UR

<b>Page</b>	<b>Pos</b>	<b>Code</b>	<b>Description</b>
005		533032500	NOZZLE §150 CH9*10 AARD.L-UR
005		532001200	ULTRA-QUICK BURNER COVER IN CAST IR
005		532000900	ULTRA-QUICK BURNER RING
005		532000600	ULTRA-QUICK BURNER SUPPORT 2HOLES
005		533009800	BRASS NUT M8*1
005		537002700	PLUG WITH SPRING H57
005		533011100	THERMOCOUPLE 600 M8*1
005		547002600	HIGH-VOLTAGE CABLE L=500
005		531064200	GAS COCK 22-3403 WITH KNOB
005		532000300	ULTRA-QUICK BURNER VENTURI
005		536002501	COCK KNOB SNACK PC
005		536002500	COCK KNOB