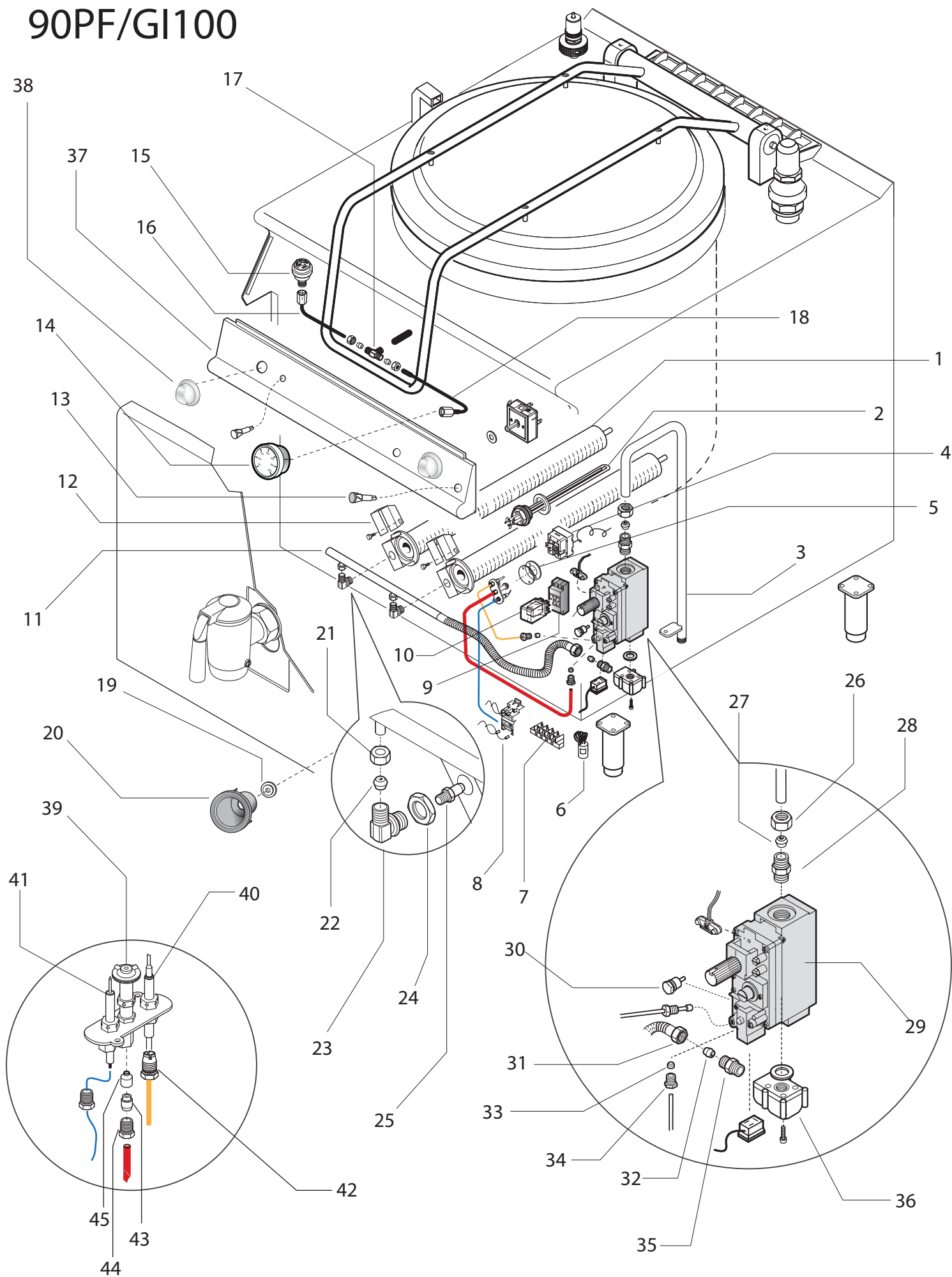


90PF/GI100





Series 900

Boiling Pan 90PF/G100

Table_B

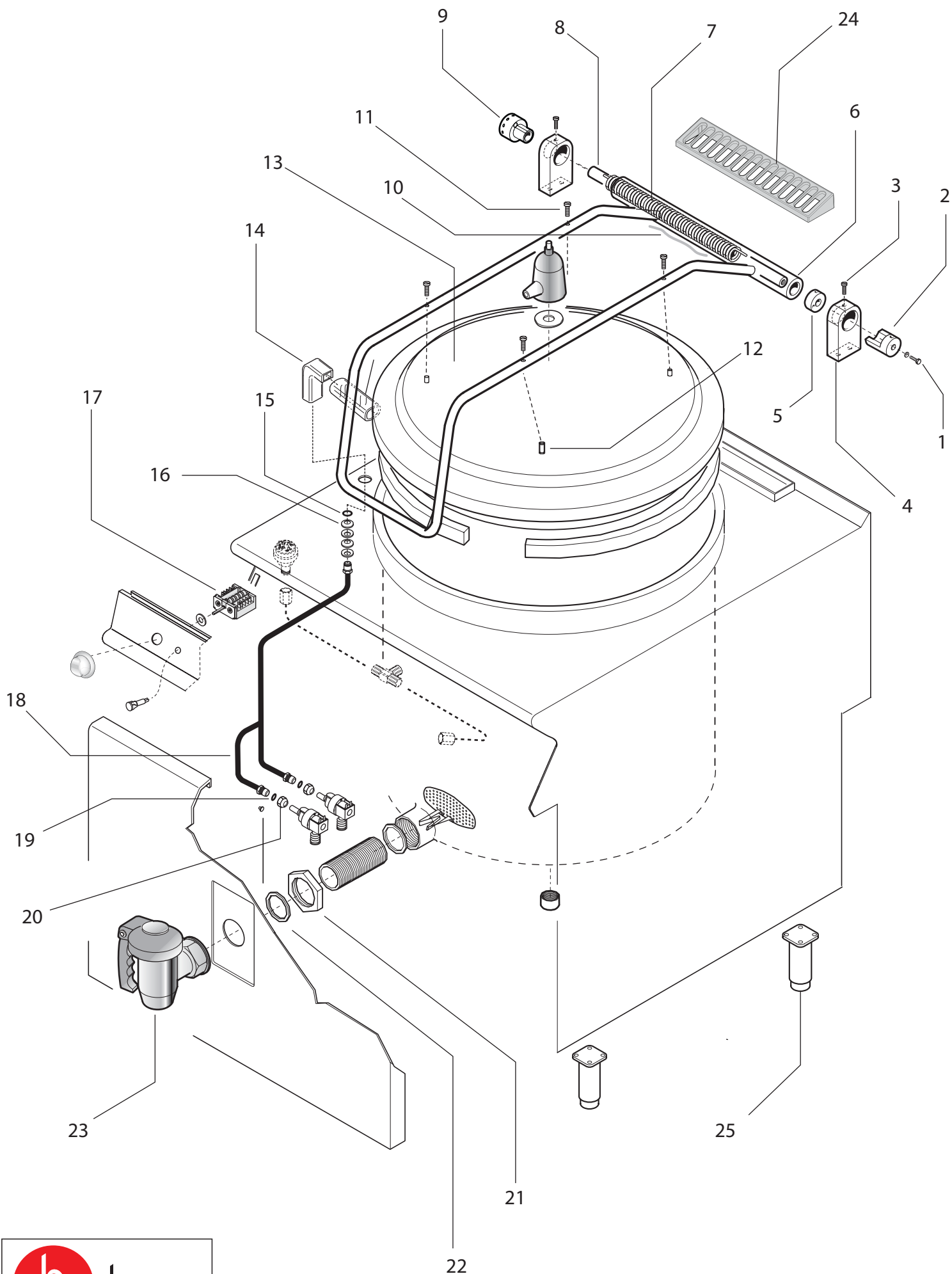
POS.	CODE	PIECES	DESCRIPTION	DATA	C
1	MACM088100	2	BURNER		
2	CR0682160	1	HEATER-WATER DETECTOR		C
3	CR0586130	1	GAS RAMP		C
4	CR0682740	1	SAFETY THERMOSTATE		
5	CR05897960	1	GLASS		
6	CR0506300	1	FILTER		
7	CR0588180	1	TERMINAL BLOCK		
8	MA2971400	1	ELECTRIC STARTER		
9	MA2609500	1			
10	CR0683840	1	RELE		C
11	CR0682450	1	DUCT		C
12	CR0683890	1	AIR REGULATOR		
13	CR0587500	1	ORANGE LIGHT		C
14	CR0589110	1	PRESSURE GAUGE		C
15	CR0587800	1			
16	CR0682600	1	DUST		
17	CR0682590	1	ESTREMITY NOZZLE		
18	CR0682610	1	PRESSURE GAUGE DUST		
19	CM0589800	1	GUARNITURE PROTECTION I FOR VALVE		
20	CM0589790	1	PROTECTION FOR VALVE		
21	MA1326500	1	NUT FOR BICONE		
22	MA86720	1	BICONE		
23	MACM021700	1	NIPPLE 90°		
24	MA1033700200	1	NUT		
25	TABLE B	1	BURNER NOZZLE		
26	MA1421000	1	NUT		
27	MA1127400	1	BICONE FOR VALVE		
28	MA1953700	1	NIPPLO		
29	MA1871200	1	VALVE		
30	MA5142000	1	EXCLUSOR		
31	MA673100	1	NUT		
32	MA673300	1	BICONE		
33	MA673600	1	BICONE		
34	MA673500	1	NUT		C
35	CR0588920	1	NIPPLO		C
36	MA2865800	1	NIPPLE		
37	CR0936180	1	CONTROL PANEL		
38	CR0932360	2	KNOB		
39	MACM040800	1	TARGET PILOT		
40	MACM029100	1	THERMOCOPY		
41	MA1888300	1	ELECTRIC STARTER		
42	MA15780299	1	NUT FOR THERMOCOPY		
43	MA673600	1	PILOT BICONE		
44	MA673500	1	NUT FOR BICONE		
45	TABLE B	1	NOZZLE FOR PILOT		

C >>> Recommended exchange

EDITION 01 2012

CR0785799

90PF/GI100





Series 900

Boiling Pan 90PF/G100

Table_B

POS.	CODE	PIECES	DESCRIPTION	DATA	C
1	MA1033509200	2	SCREW		
2	CR0586320	1	BUSH FOR HINGE SUPPORT		
3	CR0589090	2	SCREW FOR SPRING		
4	CR0586370	1	HINGE SUPPORT		
5	CR0586310	1	BUSH FOR HINGE		
6	CR0586500	1	HANDLE ASSEMBLY		
7	CR0586350	1	SPRING		
8	CR0586360	1	HINGE CONNECTION		
9	CR0586330	1	BUSH FOR HINGE		
10	CR0500010	1	FAT		
11	CR0587940	4	SCREW FOR HANDLE		
12	CR0586460	4	WASHER FOR HANDLE		
13	CR0586560	1	PAN TOP		
14	CR0587440	1	VALVE		C
15	CR0682650	1	GARNISH		
16	CR0682570	1	SPRING		
17	CR0581810	1	SWITCH		C
18	CR0587460	1	VALVE DUCT		
19	MA2867700	1	WASHER		
20	CR0682340	1	NUT FOR NIPPLE		
21	MA14044899	1	COUNTER NUT		
22	MA1420925	1	BUSH		
23	CR0682780	1	DRAIN VALVE		
24	CR0682320	2	ELECTRIC VALVE		C
25	MA6086113	4	FOOT ASSEMBLY		

C >>> Recommended exchange

EDITION 01 2012

CR0785799



Series 900

Table_B

POS.	POT.	COD	QUANT	DIAM	GAS
25	21 Kw	MA1630900	1	ø 255	◻ ▲
25	21 Kw	MA1631000	1	ø 280	▼
25	21 Kw	MA1695200	1	ø 170	○
25	21 Kw	MA2902500	1	ø 145	•
25	21 Kw		1	ø 270	■
25	21 Kw		1	ø 240	+
25	21 Kw		1	ø 155	◻
25	24 Kw	MA1880800	1	ø 275	◻ ▲
25	24 Kw	MA5152900	1	ø 310	▼
25	24 Kw		1	ø 255	+
25	24 Kw		1	ø 290	■
25	24 Kw	MA796200	1	ø 180	○
25	24 Kw		1	ø 170	◻
25	24 Kw	MA1630800	1	ø 155	•
45		MA1033719700	1	ø 41	◻ ▼ ▲ + ■
45		MA1874700	1	ø 25	•
45		CR04110100	1	ø 30	○ ◻

ID GAS

- G30/50 ◻ G30÷31/37 ○ G30/28÷37
- ◻ G20/20 ▲ G25/25 ▼ G25/20 ■ G25.1/25 † G20/26
- G110 8mbar G120 8mbar