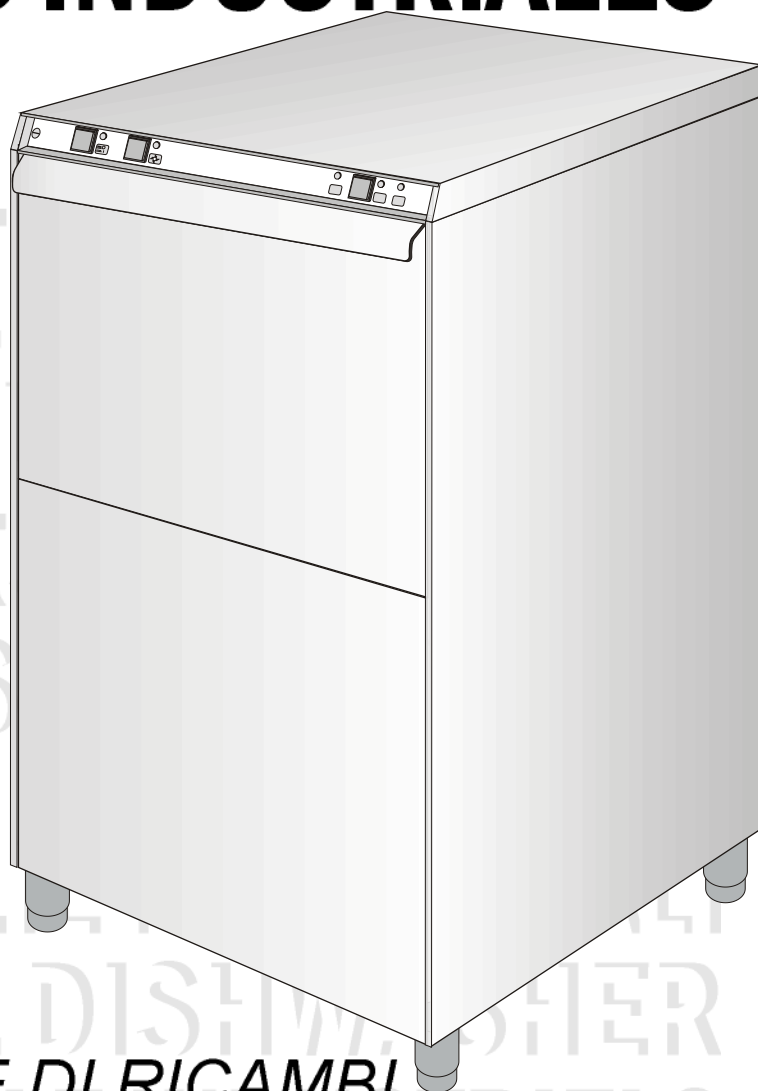


LAVASTOVIGLIE INDUSTRIALI
INDUSTRIAL DISHWASHER
LAVE-VAISSELLE INDUSTRIELS
INDUSTRIEGESCHIRRSPÜLES
LAVAVAJILLAS INDUSTRIALES

800

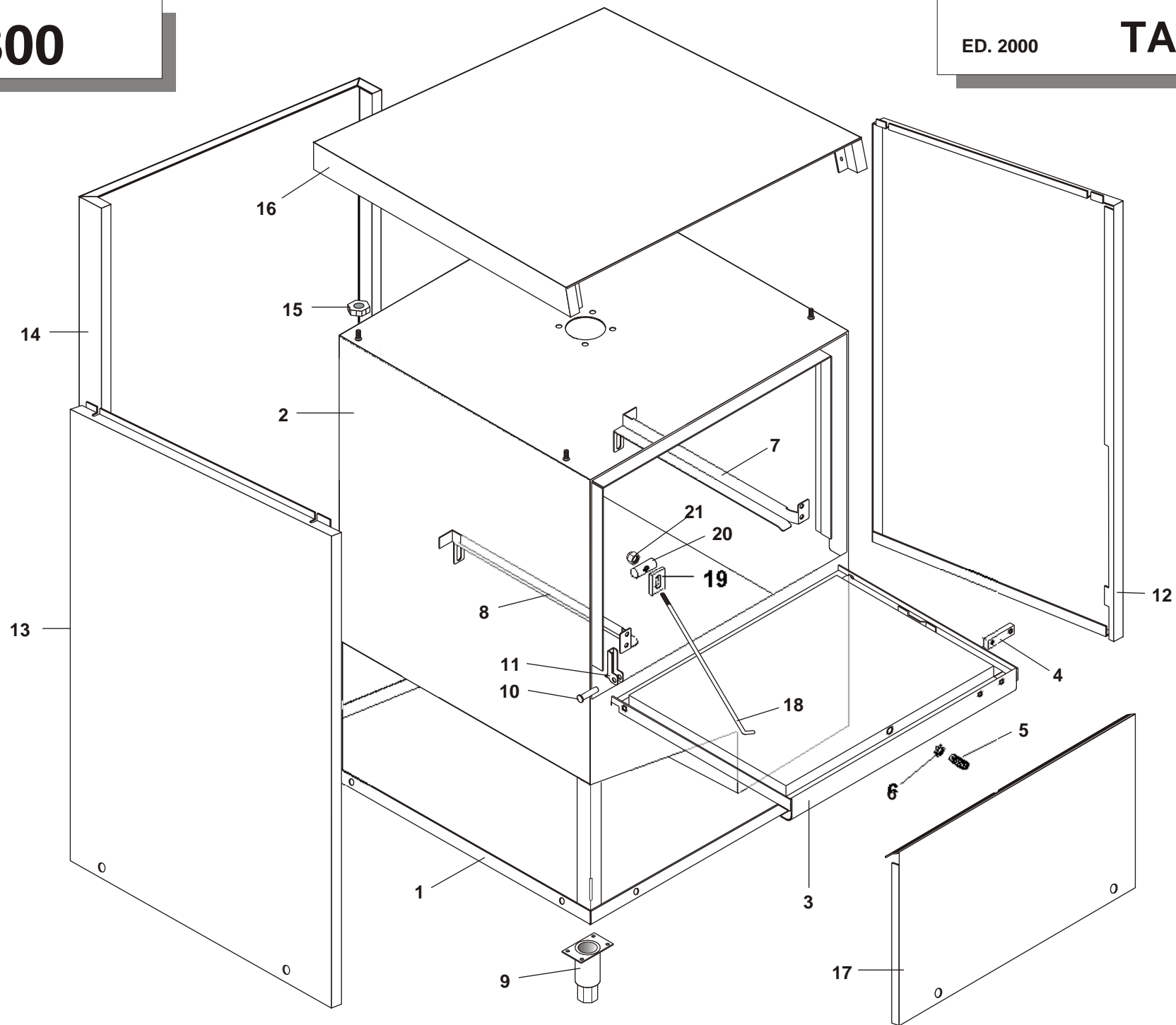


MANUALE DI RICAMBI
SPARE PARTS
CATALOGUES PIÈCES
ERSATZTEILEKATALOG
CATÁLOGO DE REPUESTOS

800

ED. 2000

TAV. 1

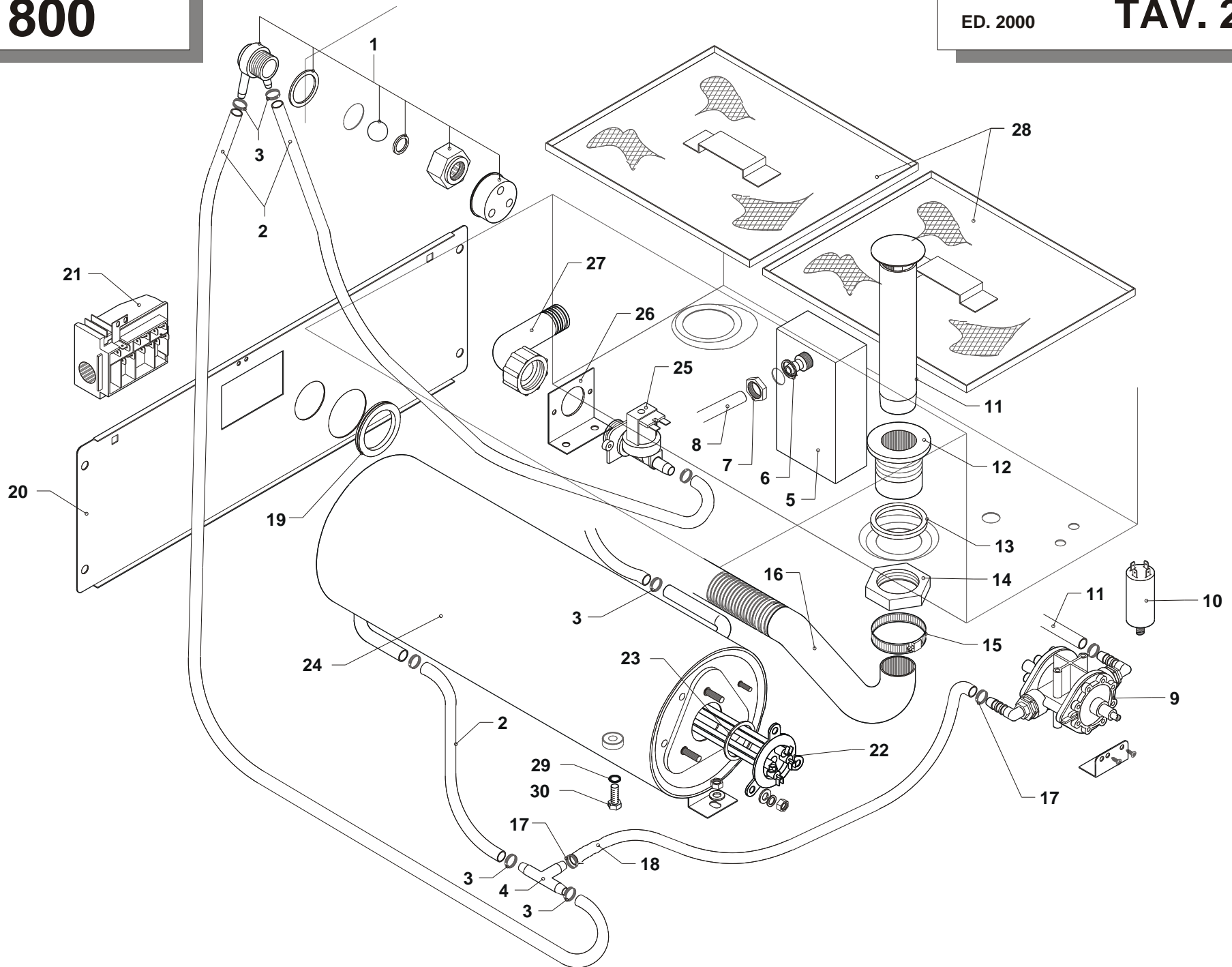


Pos.	COD.	Q.tà	DESCRIZIONE	DENOMINATION	DESCRIPTION	BEZEICHNUNG	DESCRIPCIÓN
1	900273	1	BASAMENTO	SOCLE	BASE	UNTERSTRUKTUR	BASE
2	901921	1	VASCA	CUVE	TANK	TANK	PILETA
3	905182	1	PORTA	PORTE	DOOR	TÜR	PUERTA
4	TR0220	1	CUSTODIA CON MAGNETE	PROTECTION MAGNETO	COVER MAGNET	MAGNETSCHUTZ	ESTUCHE CON IMÁN
5	906121	1	SCROCCHETTO	CLIQUET FERMETURE PORTE	DOOR CATCH	SCHNAPPVERSCHLUSS	SCROCCHETO
6	902023	1	DADO SCROCCHETTO	ECROU DE CLIQUET	NUT CATCH	KLIKENMUTTER	TUERCA
7	901678	1	GUIDA CESTELLI DX	COULISSE PANIER DROITE	BASKET GUIDE	KORBÜFUHRUNG	GUIA DERECHA CANASTOS
8	901677	1	GUIDA CESTELLO SX	COULISSE PANIER GAUCHE	BASKET GUIDE	KORBÜFUHRUNG	GUIA IZQUIERDA CANASTOS
9	TR0299	4	PIEDINO REGOLABILE	PIED	RUBBER LEG	EINSTELLBARERSOCKE	PIÉ REGULABLE
10	904795	2	PERNO PORTA	TOURILLON DE LA PORTE	DOOR PIN	TÜRSCHARNIERESTIFT	PERNO PUERTA
11	901245	2	CERNIERA	PATTE	DOOR SUPPORT	SCHARNIER	BISAGRA
12	904565	1	PANNELLO LATERALE DX	PANNEAU DROITE	RIGHT PANEL	RECHTE VERKLEIDUNG	PANEL DERECHO LATERAL
13	904566	1	PANNELLO LATERALE SX	PANNEAU GAUCHE	LEFT PANEL	LINKE VERKLEIDUNG	PANEL IZQUIERDO LATERAL
14	904591	1	PANNELLO POSTERIORE	PANNEAU POSTERIEUR	BACK PANEL	HINTERE VERKLEIDUNG	PANEL POSTERIOR
15	902132	2	GHIERA FISSAGGIO PANN. SUP.	VIROLE	LOCK-NUT	NUT-MUTTER	ABRAZADERA FIJADO PAN. POS.
16	904578	1	PANNELLO SUPERIORE	PANNEAU SUPERIEUR	UPPER SIDE PANEL	OBERE VERKLEIDUNG	PANEL SUPERIOR
17	904481	1	PANNELLO INFERIORE	PANNEAU INFERIEUR	LOWER PANEL	UNTERE VERKLEIDUNG	PANEL INFERIOR
18	907240	2	TIRANTE PORTA	TIRANT DU PORTE	DOOR SCREW STAY	TÜRZUGSTANGE	VARILLA PUERTA
19	904952	2	PIASTRINA	PLAQUETTE	PLATE	PLATTEKEN	PLACA
20	905424	2	FERMO PORTA	FERMETURE PORTE	DOOR SUPPORT	TÜR HALTERUNG	TOPE PUERTA
21	902040	2	DADO ATB M6	ECROU	NUT	MUTTER	TUERCA

800

ED. 2000

TAV. 2

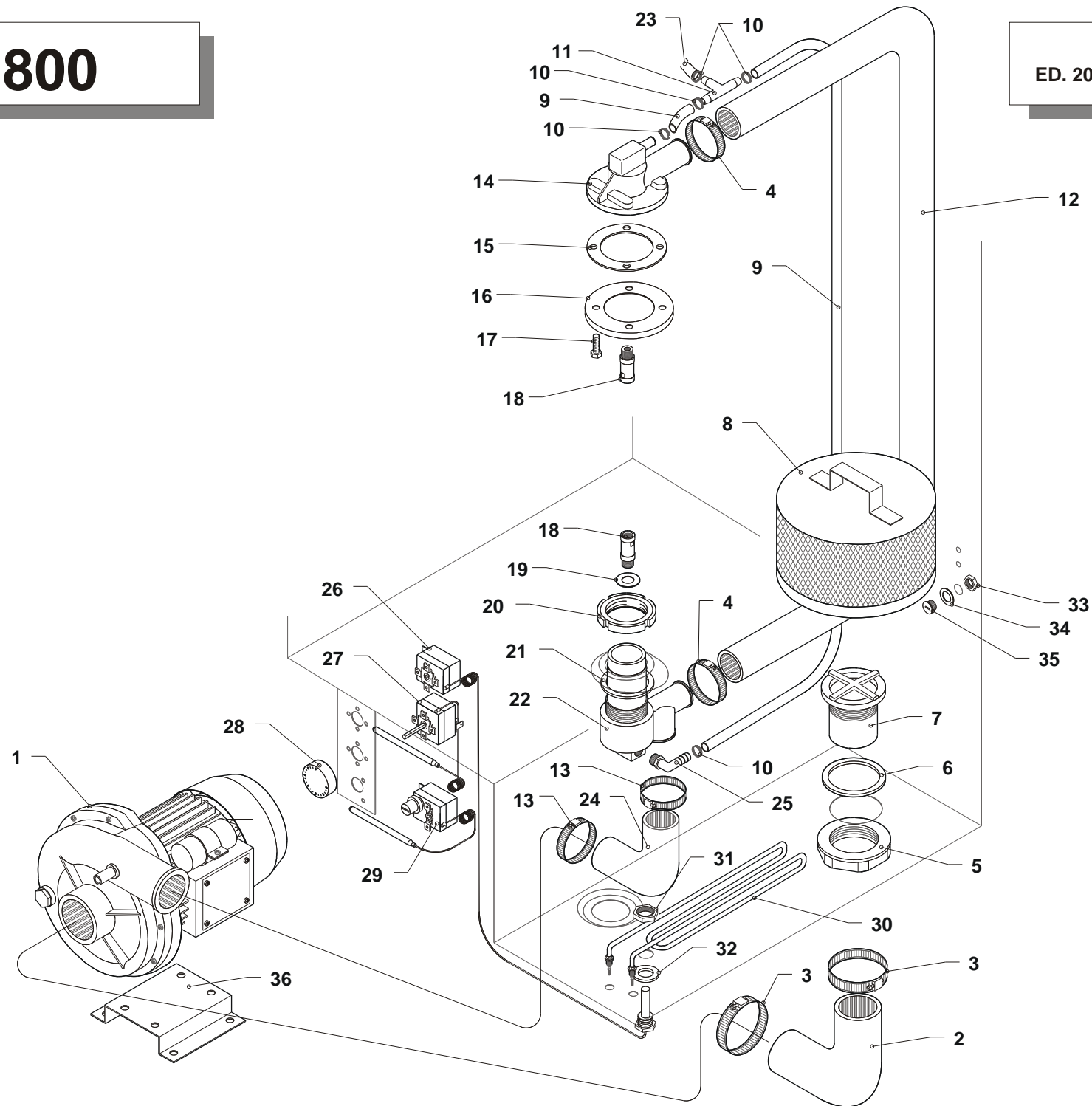


Pos.	COD.	Q.tà	DESCRIZIONE	DENOMINATION	DESCRIPTION	BEZEICHNUNG	DESCRIPCIÓN
1	TR2433	1	VALVOLA ANTIRIFLUSSO	VALVE	VALVE	VENTIL	VALVULA
2	907295	4	TUBO GOMMA 12 x 19,5	TUYAU EN CAOUTCHOUC	RUBBERHOSE	GUMMISCHLAUCH	TUBO GOMA
3	902440	6	FASCETTA 13 ÷ 20	COLLIER	CLAMP	SCHELLE	ABRAZADERA
4	905381	1	RACCORDO A "T"	RACCORD	PIPE FITTING	ANSCHLUSSE	EMPALME
5	TR0268	1	TRAPPOLA ARIA	RESERVOIR AIR	AIR TRAP	LUFTFALLE	TRAMPA DEL AIRE
6	903260	1	GUARNIZIONE	JOINT	GASKET	DICHTUNG	GUARNICIÓN
7	902100	1	GHIERA 3/8" GAS	VIROLE	LOCK-NUT	NUT-MUTTER	ABRAZADERA
8	907272	1	TUBO PRESSOSTATO	TUYAU PRESSOSTAT	PRESSURE SWITCH PIPE	SCHLAUCH	TUBO PRESÒSTATO
9	902199	1	DOSATORE	DOSEUR	RINSE AID DISPENSER	DOSIERSATZ	PIÉ
10	901743	1	CONDENSATORE 16µF	CONDENSEUR	CONDENSER	KONDENSATEUR	CONDENSADOR
11	907336	1	TROPPO PIENO	NIVEAU	OVER FLOW	VERBELAUF	DAMSIADO LLENO
12	905450	1	RACCORDO SCARICO 1" ¼	RACCORD DÉCHARGÉ	PIPE FITTING FOR OUTLET	ABLAUFANSCHLUSS	EMPALME DESAGOTE
13	904380	1	O-RING	O-RING	O-RING	O-RING	O-RING
14	902080	1	GHIERA 1" ¼	VIROLE	LOCK-NUT	NUT-MUTTER	ABRAZADERA
15	902441	1	FASCETTA 38 ÷ 50	COLLIER	CLAMP	SCHELLE	ABRAZADERA
16	907450	1	TUBO SCARICO	TUYAU DE DÉCHARGÉ	OUTLET PIPE	ABLAUFSCHLAUCH	TUBO DESAGOTE
17	902439	2	FASCETTA 11 ÷ 17	COLLIER	CLAMP	SCHELLE	ABRAZADERA
18	907359	1	TUBO GOMMA 8 x 15	TUYAU EN CAOUTCHOUC	RUBBER HOSE	GUMMISCHLAUCH	TUBO GOMA
19	904721	1	PASSACAVO	CHAUMARD	FAIRLEAD	KABELDURCHGANG	AIKLADOR
20	906325	1	PANNELLO POSTERIORE INFER.	PANNEAU POSTERIEUR INFER.	BACK LOWER PANEL	HINTERE UNTERE VERKLEIDUNG	PANEL POSTERIOR INFERIOR
21	904171	1	MORSETTIERA	BORNES	TERMINAL BOARD	KLEMMLEISTE	TABLEROS DE BORNES
22	905560	1	RESISTENZA 4500W	RESISTANCE	HEATING ELEMENT	HEIZKÖRPER	RESISTENCIA
23	907981	1	O-RING	O-RING	O-RING	O-RING	O-RING
24	900353	1	BOILER	CHAUFFE EAU	BOILER	HEISSWASSERSPEICHER	BOILER
25	902390	1	ELETTRIVALVOLA 1 VIA	SOUPAPE ELECTRIQUE	ELECTRIC VALVE	ELEKTROVENTIL	VALVULA ELECTRICA
26	906365	1	SQUADRETTA	PALIER	BEARING	TRÄGE	ESCUADRA
27	907344	1	TUBO DI CARICO	TUYAU D'ENTREE DE L'EAU	INLET PIPE	WASSERZUFÜHRROHR	TUBO
28	902631	2	FILTRO	FILTRE	FILTER	FILTER	FILTRO
29	904430	1	O-RING	O-RING	O-RING	O-RING	O-RING
30	907820	1	VITE	VIS	SCREW	SCHRAUBE	TORNILLO

800

ED. 2000

TAV. 3

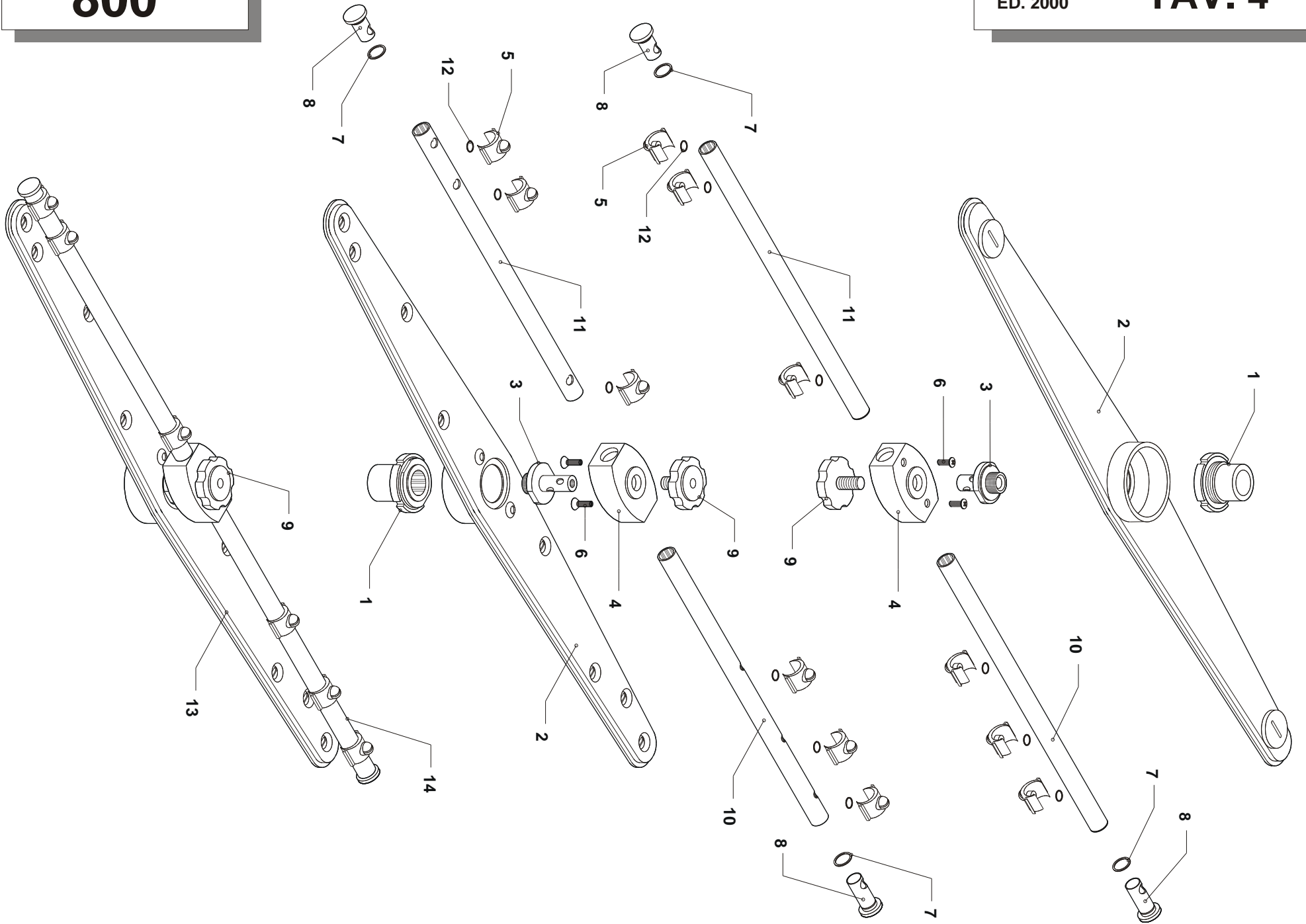


Pos.	COD.	Q.tà	DESCRIZIONE	DENOMINATION	DESCRIPTION	BEZEICHNUNG	DESCRIPCIÓN
1	902301	1	POMPA 1,2 HP	POMPE	PUMP	PUMPE	BOMBA
2	903690	1	MANICOTTO ASPIRAZIONE	MANCHON D'ASPIRATION	INLET ELBOW	ANSAUGMUFFE	PALANCA DE ASPIRACIÓN
3	902490	2	FASCETTA 58 ÷ 75	COLLIER	CLAMP	SHELLE	ABRAZADERA
4	902460	2	FASCETTA 26 ÷ 38	COLLIER	CLAMP	SHELLE	ABRAZADERA
5	TR2449	1	GHIERA 2" GAS	VIROLE	LOCK-NUT	NUT-MUTTER	ABRAZADERA
6	TR2448	1	GUARNIZIONE	JOINT	GASKET	DICHTUNG	GUARNICIÒN
7	TR0099	1	RACCORDO ASPIRAZIONE	RACCORD D'ASPIRATION	INTAKE PIPE FITTING	ANSAUGANSCHLUSSE	PALANCA DE ASPIRACIÓN
8	902610	1	FILTRO	FILTRE	FILTER	FILTER	FILTRO
9	907360	2	TUBO GOMMA 10 x 17	TUYAU EN CAOUTCHOUC	RUBBER HOSE	GUMMISCHLAUCH	TUBO GOMA
10	902440	5	FASCETTA 13 ÷ 20	COLLIER	CLAMP	SHELLE	ABRAZADERA
11	905382	1	RACCORDO A "T"	RACCORD	PIPE FITTING	ANSCHLUSSE	EMPALME
12	903726	1	MANICOTTO MANDATA SUP.	MANCHON DE REFOUL SUP.	UPPER OUTLET ELBOW	OBERE AUSLASSMUFFE	PALANCA DE MANDO SUP.
13	902441	2	FASCETTA 38 ÷ 50	COLLIER	CLAMP	SHELLE	ABRAZADERA
14	900033	1	MOZZO SUPERIORE	MOYEU SUPERIEUR	UPPER HUB	OBERE NABE	BUJE SUPERIOR
15	903330	1	GUARNIZIONE	JOINT	GASKET	DICHTUNG	GUARNICIÒN
16	901775	1	FLANGIA	FLASQUE	FLANGE	FLANSCH	SOPORTE
17	907780	4	VITE T.E. M6 x 10	VIS	SCREW	SCHRAUBE	TORNILLO
18	904765	2	PERNO LAVAGGIO	TOURILLON DE LAVAGE	WASH PIN	WASCH STIFT	PERNO LAVADO
19	906002	1	RONDELLA	WASHER	WASHER	UNTERLEGSSCHEIBE	ARANDELA
20	900035	1	GHIERA 1" ½	VIROLE	LOCK-NUT	NUT-MUTTER	ABRAZADERA
21	903301	1	GUARNIZIONE	JOINT	GASKET	DICHTUNG	GUARNICIÒN
22	900031	1	MOZZO INFERIORE	MOYEU INFERIEUR	INFERIOR HUB	UNTERE NABE	BUJE INFERIOR
23	907295	1	TUBO GOMMA 12 x 19,5	TUYAU EN CAOUTCHOUC	RUBBER HOSE	GUMMISCHLAUCH	TUBO GOMA
24	903750	1	MANICOTTO MANDATA	MANCHON DE REFOULEM	OUTLET ELBOW	AUSLASSMUFFE	PALANCA DE MANDO
25	907908	1	RACCORDO GOMITO 1/4"	RACCORD	PIPE FITTING	ANSCHLUSSE	EMPALME
26	907124	1	TERMOSTATO VASCA	THERMOSTAT	THERMOSTAT	THERMOSTAT	TERMÒSTATO PILETA
27	907110	1	TERMOSTATO REG. 0° - 90°	THERMOSTAT	THERMOSTAT	THERMOSTAT	TERMÒSTATO
28	903982	1	MANOPOLA	BOUTON	KNOB	KNOFF	EMPUÑADURA
29	907125	1	TERMOSTATO SICUREZZA	THERMOSTAT	THERMOSTAT	THERMOSTAT	TERMÒSTATO DE SEGURIDAD
30	905748	1	RESISTENZA 3000W	RESISTANCE	HEATING ELEMENT	HEIZKÖRPER	RESISTENCIA
31	902100	1	GHIERA 3/8" GAS	VIROLE	LOCK-NUT	NUT-MUTTER	ABRAZADERA
32	904991	1	GUARNIZIONE	JOINT	GASKET	DICHTUNG	GUARNICIÒN
33	902679	1	GHIERA PG. 7	FRETTE	RING-NUT	NUT-MUTTER	ABRAZADERA
34	903351	1	GUARNIZIONE	JOINT	GASKET	DICHTUNG	GUARNICIÒN
35	902678	1	TAPPO PG. 7	BOUCHON	PLUG	FROPFEN	TAPÒN
36	906368	1	SUPPORTO POMPA	SUPPORT POMPE	PUMP SUPPORT	PUMPE MAUFMAMME	SOPORTO BOMBA

800

ED. 2000

TAV. 4



800

ED. 2000

TAV. 4

Pos.	COD.	Q.tà	DESCRIZIONE	DENOMINATION	DESCRIPTION	BEZEICHNUNG	DESCRIPCIÓN
1	904277	2	MOZZO + GHIERA	MOYEU + VIROLE	HUB + RING-NUT	NABE + KLEMMUTTER	BUJE + ABRAZADERA
2	902908	2	GIRANTE LAVAGGIO	BRAS DE LAVAGE	WASH ARM	SPÜLLARM	RODETE LAVADO
3	904760	2	PERNO GIRANTE RISCIAQUO	TOURILLON DE RINÇAGE	RINSE PIN	SPÜLLSTIFT	PERNO RODETE ENJUAGUE
4	904292	2	MOZZO GIRANTE RISCIAQUO	MOYEU	HUB	NABE	BUJE RODETE ENJUAGUE
5	902816	12	GETTO RISCIAQUO	JET DE RINÇAGE	RINSING JET	SPÜLLDUSE	CHORRO ENJUAGUE
6	907651	4	VITE TPS M4 x 8	VIS	SCREW	SCHRAUBE	TORNILLO
7	904321	4	O-RING	O-RING	O-RING	O-RING	O-RING
8	906450	4	TAPPO PER BRACCIO RISC.	BOUCHON BRAS DE RINÇAGE	PLUG FOR RINSE ARM	VERSCHLUSS SPÜLLAUF.	TAPÓN PARA BRAZO ENJUAGUE
9	902880	2	GHIERA BLOCCAGGIO	FRETTE DE BLOCAGE	RING-NUT	KLEMMUTTER	ABRAZADERA BLOQUEO
10	954806	2	BRACCIO RISCIAQUO DX	BRAS DE RINÇAGE DROITE	RIGHT RINSE ARM	RECHTE SPÜLLAUFRAD	BRAZO ENJUAGUE DERECHO
11	954807	2	BRACCIO RISCIAQUO SX	BRAS DE RINÇAGE GAUCHE	LEFT RINSE ARM	LINKE SPÜLLAUFRAD	BRAZO ENJUAGUE IZQUIERDO
12	904388	12	O-RING	O-RING	O-RING	O-RING	O-RING
13	903107	2	GIRANTE LAVAGGIO COMPLETA	BRAS DE LAVAGE	WASH ARM	SPÜLLARM	RODETE LAVADO COMPL.
14	903017	2	GIRANTE RISCIAQUO COMPLETA	BRAS DE RINÇAGE	SWILLARM	SPÜLLSTIFT	RODETE ENJUAGUE COMP.

800

ED. 2000

TAV. 5

