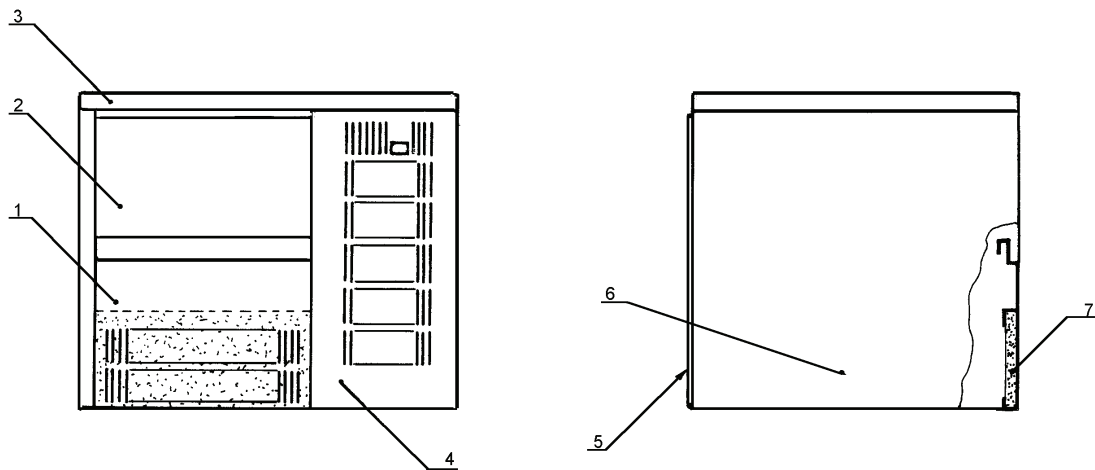


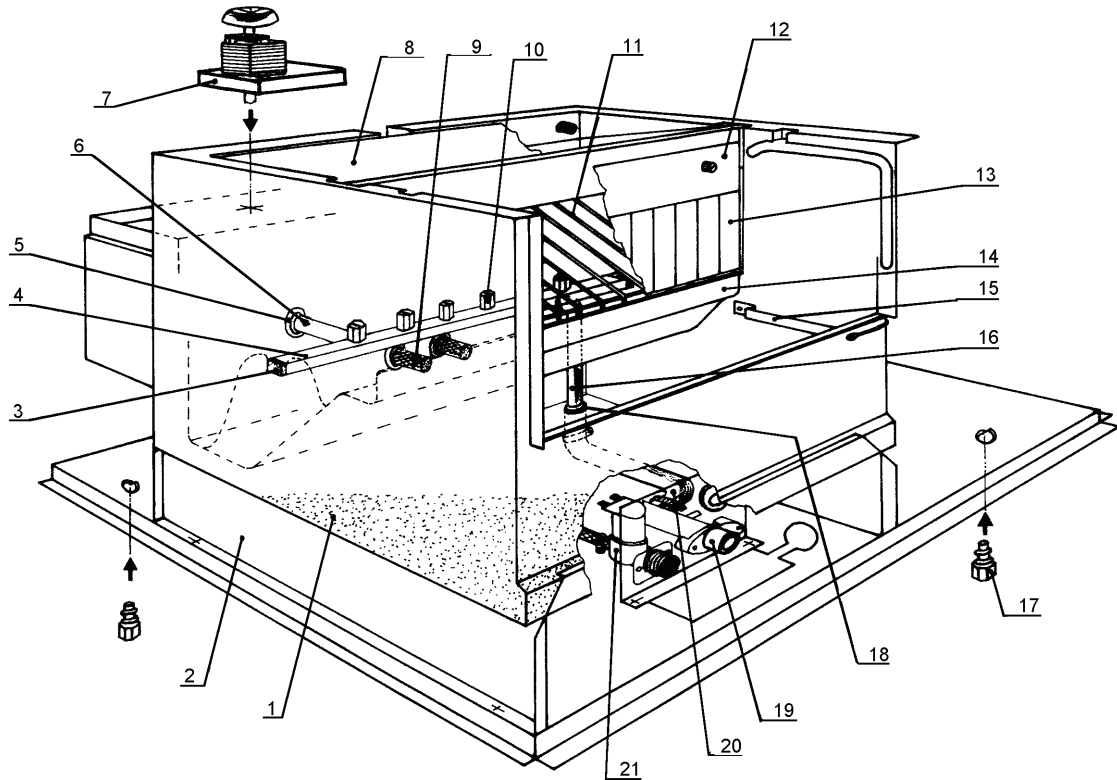
CABINET ASSEMBLY Mod. IC24 A - Cube. A

(Cod. 24366)



HYDRAULIC CIRCUIT Mod. IC24 A - Cube A

(Cod. 24367)



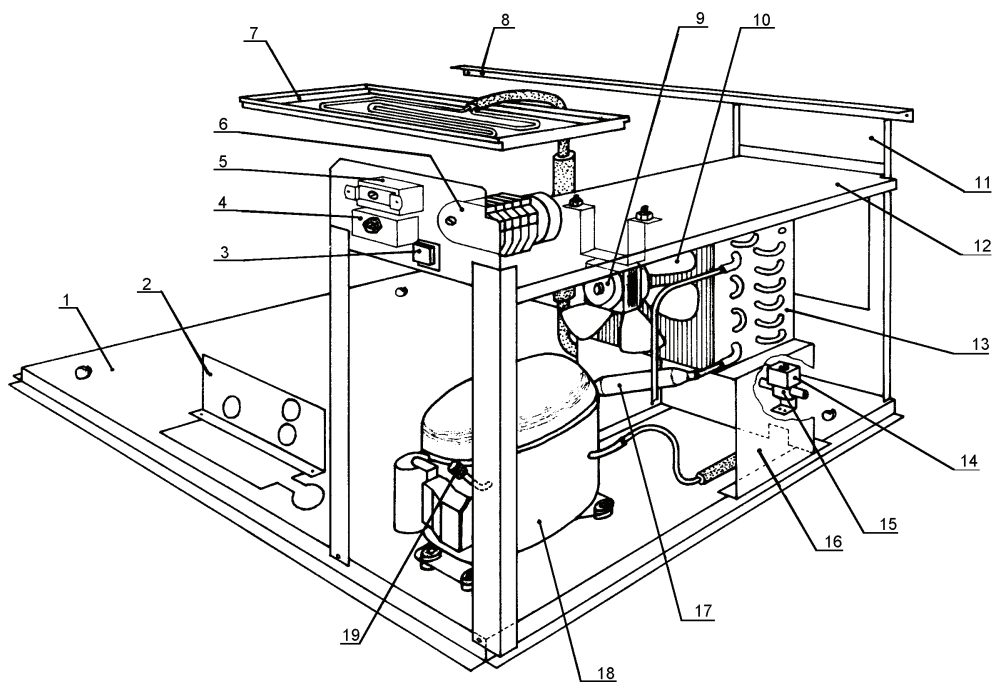
CABINET ASSEMBLY Mod. IC24 A - Cube. A**(Cod. 24366)**

Ref.	Description	Refrigerant	A/W	Tension	Code
1	Front panel				22300
2	Door assembly				C10303
3	Top assembly				C22298
4	Right & front panel (fan side)				22297
5	Back panel				21152
6	Left panel				22299
7	Filtering panel				18075

Note:**HYDRAULIC CIRCUIT Mod. IC24 A - Cube A****(Cod. 24367)**

Ref.	Description	Refrigerant	A/W	Tension	Code
1	Foamed bin				C26503
2	Bin support saddle				21150
3	Sprayers bar plug				10012
4	Sprayers bar assembly				C20265
5	Basin nipple				10160
6	Pump delivery pipe				13068
7	Pump assy			1	C23254
7	Pump assembly			2	C23416
7	Pump assembly			3	C23417
8	Evaporator cover				10008
9	Pump suction filter				20005
10	Sprayer				D20002
11	Ice cubes slide				D12001
12	Flags support assy				C22034
13	Flag				10005
14	Evaporator basin				10158
15	Bulbe thermostat tube				20008
16	Overflow pipe				13001
17	Foot				10017
18	Plastic nipple water outlet				10007
19	Exhaust manifold				10006
20	Water discharge pipe				13066
21	Inlet watervalve 1 way			1-2	23300
21	Inlet watervalve 1 way			3	23415

Note:



COOLING SYSTEM ASSEMBLY Mod. IC24 A - Cube A**(Cod. 24368)**

Ref.	Description	Refrigerant	A/W	Tension	Code
1	Base plate				21153
2	Support (water valve & discharge)				21149
3	Green light switch				23327
4	Evaporator thermostat				23591
5	Bin thermostat				23005
6	Timer			1	23222
6	Timer			2	23248
6	Timer			3	23259
7	Evaporator				D10045
8	Cross fixing panels				21163
9	Fan motor			1-2	23029
9	Fan motor			3	23265
10	Suction fan				20095
11	Back plate				21151
12	Fan motor & electrical components support plate				22296
13	Air condenser				20260
14	Hot gas coil			1-2	23091
14	Hot gas coil			3	23256
15	Hot gas valve body				20410
16	Air condenser support				21148
17	Molecular drier				14009
18	Compressor	R404A		1	23436
18	Compressor	R404A		2	23494
18	Compressor	R404A		3	23446
18	Compressor	R22		1	23197
18	Compressor	R22		2	23346
18	Compressor	R22		3	23368
19	Vacuum-charge valve device				14005
19	Vacuum-charge valve plug				14006
19	Vacuum- charge valve body				14007

Note: Code 23327 from September 1994. Before Code 23061.

Erklärung zu Ersatzteillisten in den Spalten Tension-Spannung

1	Spannung	220-240V	50Hz
2	Spannung	220-230V	60Hz
3	Spannung	110 115V	60Hz
4	Spannung	230V3P	50Hz
5	Spannung	400V	50Hz
6	Spannung	220-230V3P	60Hz
7	Spannung	440-460V3P	60Hz