

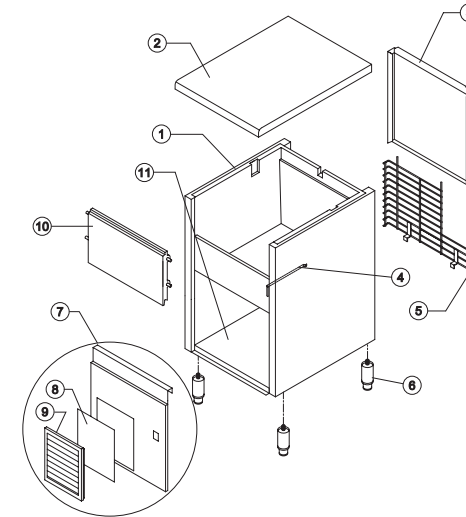


VB 250

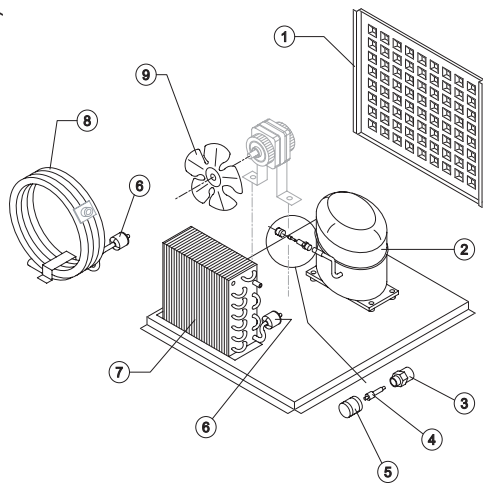
LIST OF THE EXPLODED VIEWS



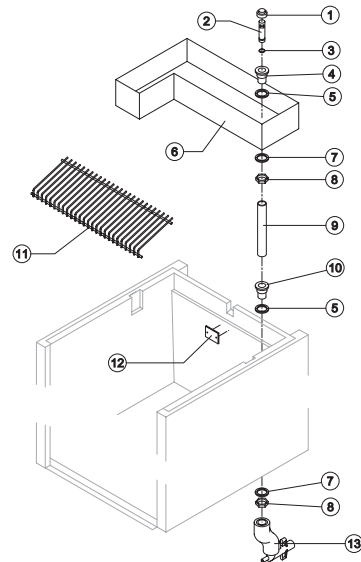
SHELL ASSY



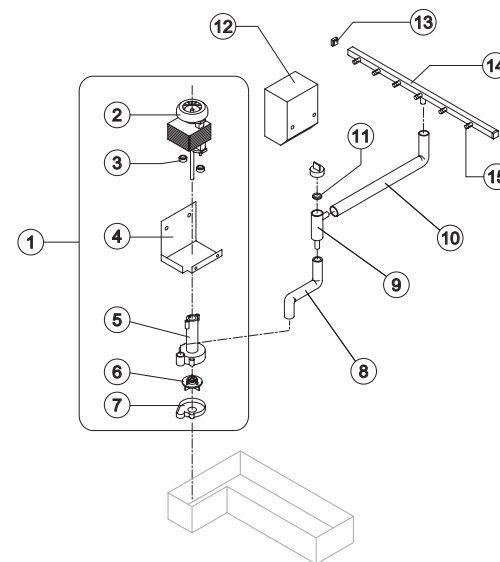
COOLING SYSTEM



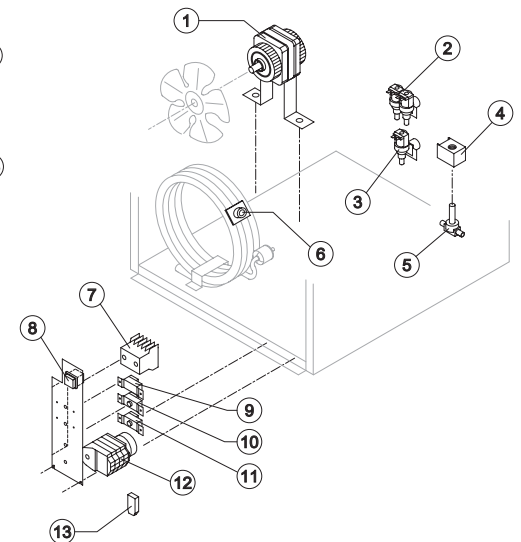
HYDRAULIC CIRCUIT



SPRAYER PUMP



ELECTRIC PARTS

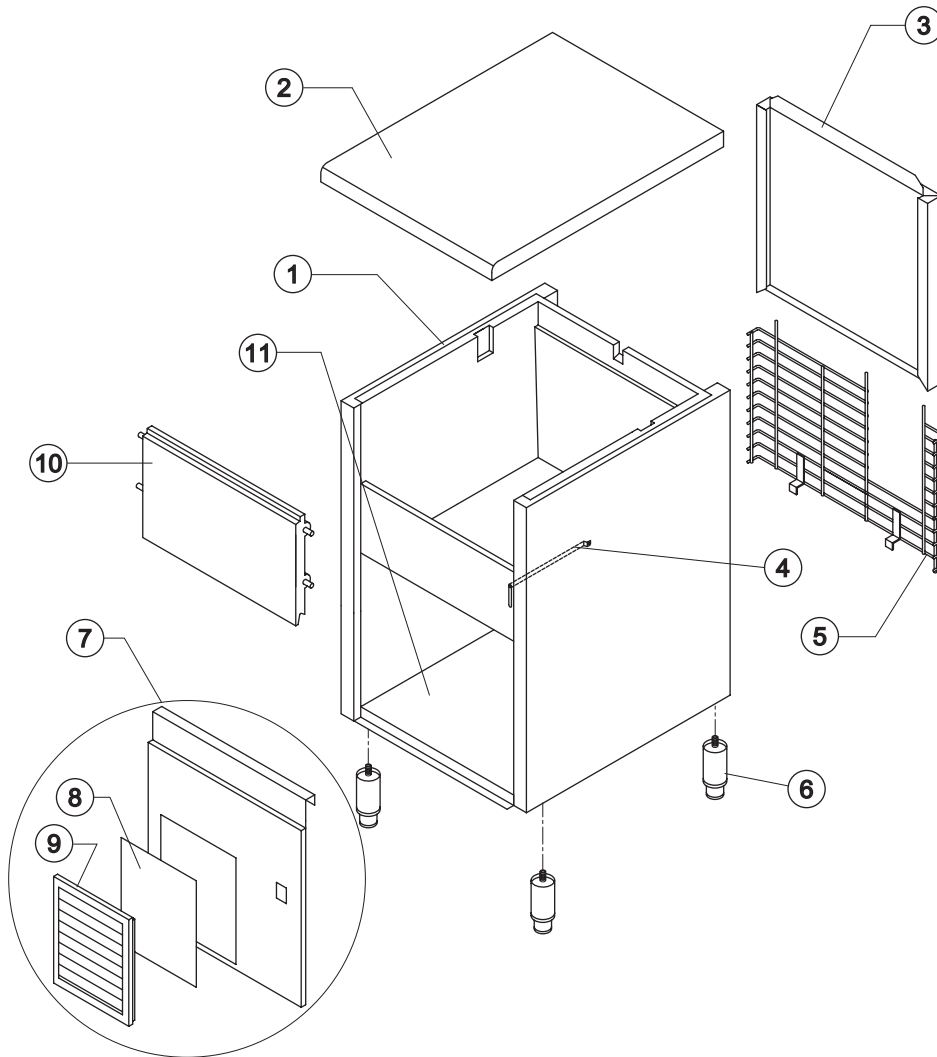


Rev. 1 - 12/6/2002



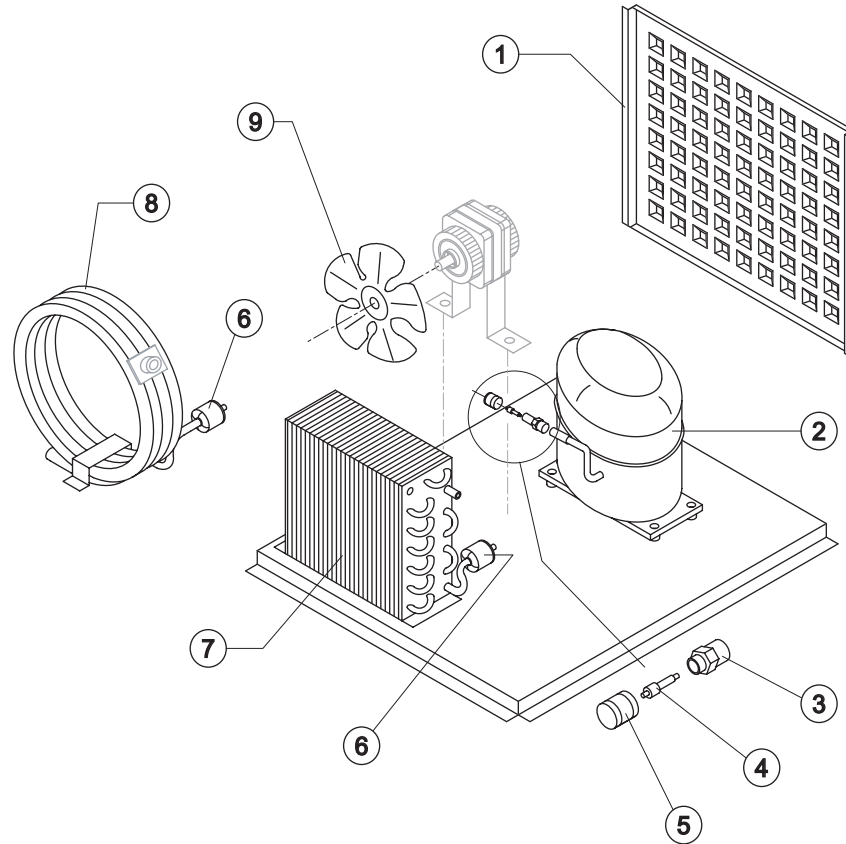
VB 250

SHELL ASSY



Ref.	Spare Description	Code
1	Foamed Cabinet Assy	C11100/E
2	Top Assembly	C22673
3	Back Panel Assembly	C22268
4	Bulbe Thermostat Tube	Current Version 20522
4	Bulbe Thermostat Tube	Till s/n. 94946 20017
5	Rear Grid	D12059
6	Stainless Steel Foot Adjustable	Current Version 20613
6	ABS Foot	Till s/n. 142209 10040
7	Front Grid Panel	C22672
8	Filtering Panel	18106
9	Grid with Frame	C10205
10	Door Assy	C10275
11	Base Plate	Current Version 21280
11	Base Plate	Till s/n. 142209 C21036

Rev. 1 - 12/6/2002



Common Parts

Ref.	Spare Description	Code
1	Evaporator	D10261
2	Compressor	See Table
3	Vacuum-Charge Valve Body	14007
4	Vacuum-Charge Valve Device	14005
5	Vacuum-Charge Valve Plug	14006
6	Solid Core Drier	14089

Parts for Air-Cooled Version Only

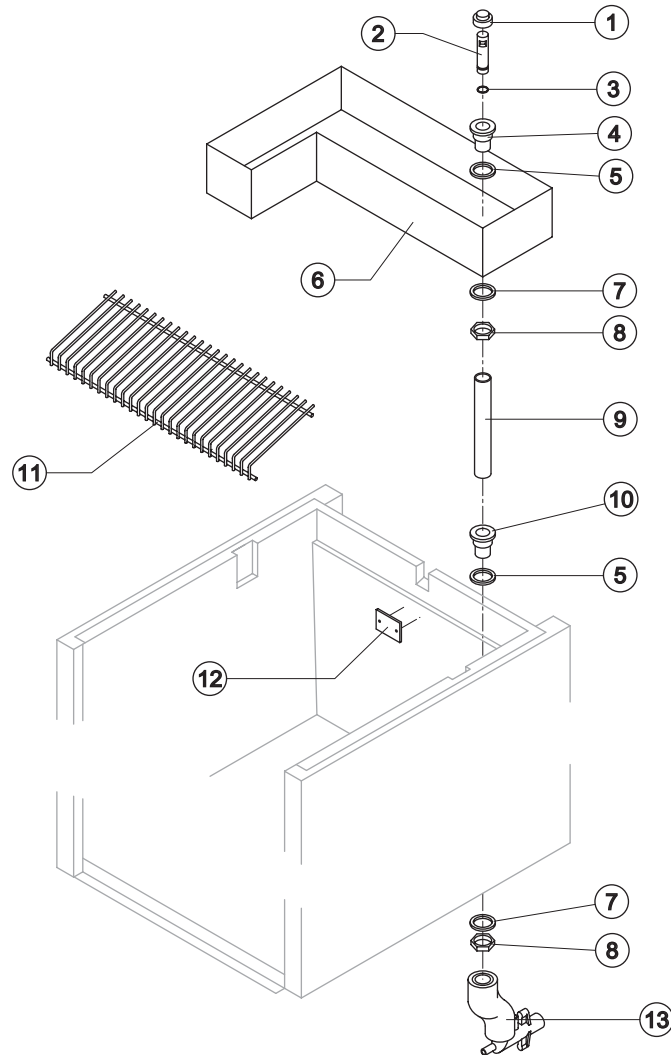
Ref.	Spare Description	Code
7	Air Condenser	20264
9	Suction Fan 254 / 31°	20031

Parts for Water-Cooled Version Only

Ref.	Spare Description	Code
8	Water Condenser	14034

Ref. 2 - Compressor

Tension	Code
220/240V 50 Hz	23503
220/230V 60 Hz	23504
110/115V 60 Hz	23553



Common Parts

Ref.	Spare Description	Code
1	Overflow Cap	10305
2	Overflow Pipe	10133
3	OR Gasket for Overflow Pipe	20233
4	Overflow Pipe	10241
5	Silicone Gasket	13006
6	Basin	10260
7	Semirigid Polyethylene Gasket	13007
8	Bin Discharge Nut	10096
9	Overflow Pipe	13106
10	Plastic Nipple Water Outlet	10007
11	Ice Cubes Slide	D12057
12	Slide Keep Plate	10009

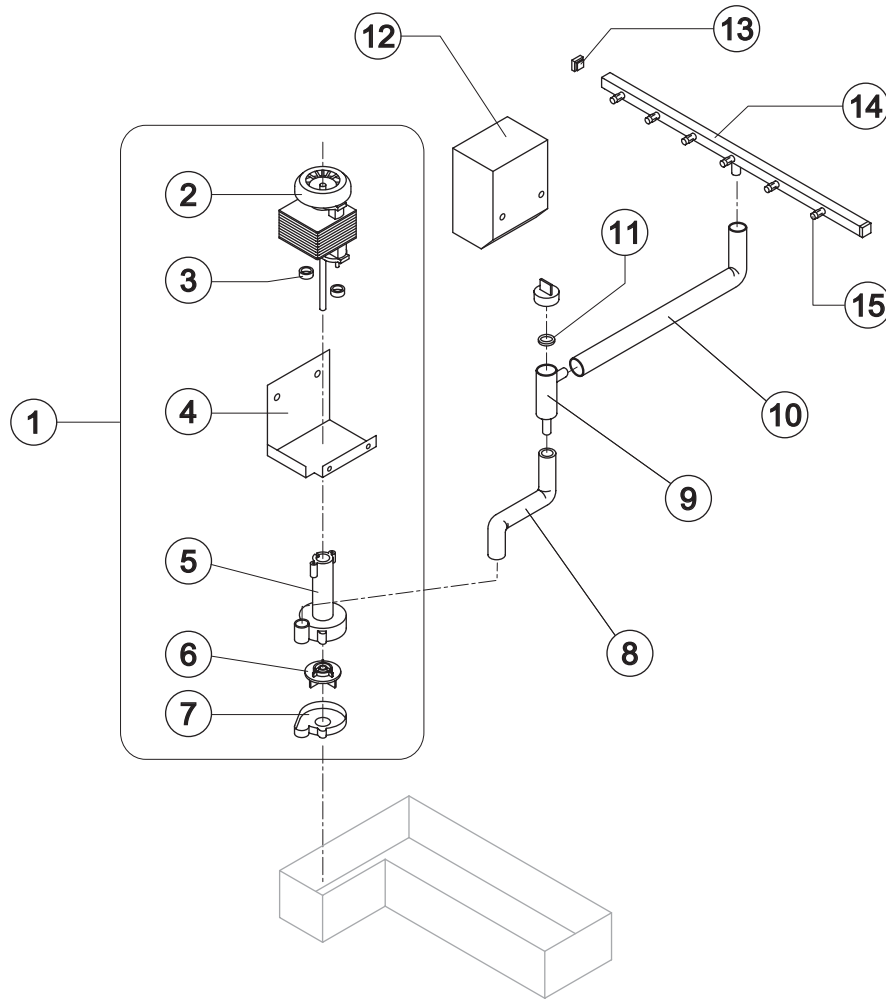
Parts for Air-Cooled Version Only

Ref.	Spare Description	Code
13	Discharges Manifold	C10006

Parts for Water-Cooled Version Only

Ref.	Spare Description	Code
13	Discharges Manifold	C26452

Rev. 1 - 12/6/2002



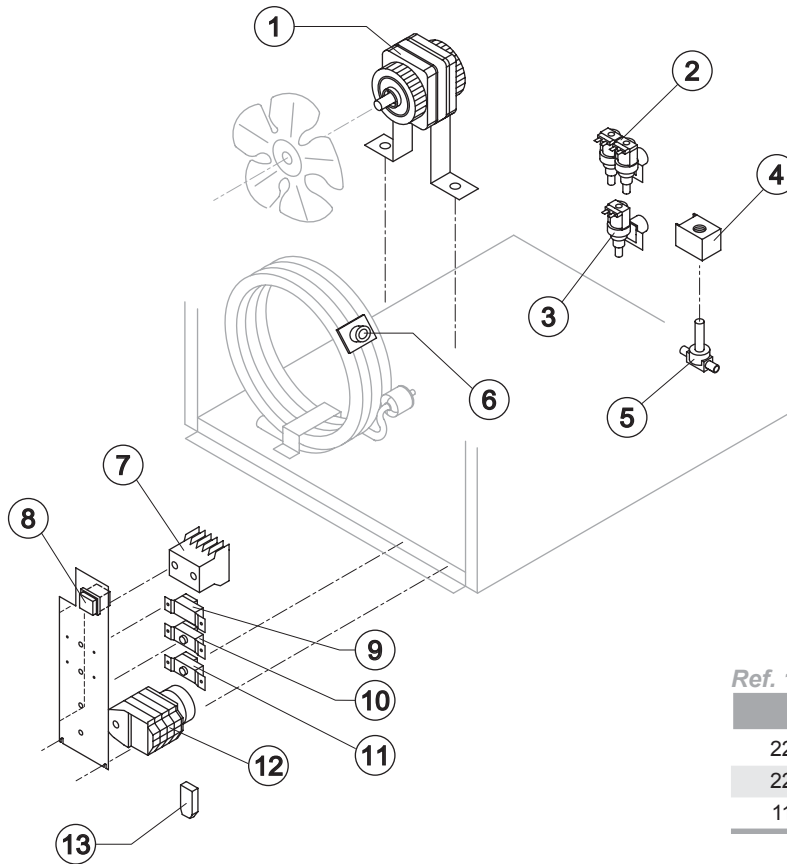
Ref.	Spare Description	Code
1	Pump Assembly	See Table -
2	Pump Motor	See Table -
3	Thickness Pump Motor	20510
4	Pump Bracket Square	22660
5	Pump Body	10065
6	Pump Imeller	10138
7	Diffuser	10067
8	Pump-Filter Connection Pipe	13113
9	Pump Filter	10139
10	Sprayers Feeding Pipe	13111
11	Pump Filter Gasket	13080
12	Pump Fender	10276
13	Sprayers Bar Plug	10012
14	Sprayers Bar Assembly	C20465
15	Sprayer	D20002

Ref. 1 - Pump Assembly

Tension	Code
220/240V 50 Hz	C23566
220/230V 60 Hz	C23568
110/115V 60 Hz	C23567

Ref. 2 - Pump Motor

Tension	Code
220/240V 50 Hz	23073
220/230V 60 Hz	23187
110/115V 60 Hz	23188



Common Parts

Ref.	Spare Description	Code
4	Hot Gas Coil	See Table
5	Hot Gas Valve Body	20409
7	Contactor	Only 110/115V 60 Hz 23595
8	Green Light Switch	23327
9	Condenser Pressure Switch	23175
10	Bin Thermostat	23005
11	Evaporator Thermostat	23591
12	Timer	See Table

Parts for Air-Cooled Version Only

Ref.	Spare Description	Code
1	Fan Motor	See Table
3	Inlet Watervalue 1 Way	See Table
13	Anti Radio Interference Filter	Only 220V 50 Hz 23459

Parts for Water-Cooled Version Only

Ref.	Spare Description	Code
2	Inlet Watervalue 2 Ways	See Table
6	Safety Thermostat	C23114
13	Anti Radio Interference Filter	Only 220V 50 Hz 23457

Ref. 1 - Fan Motor

Tension	Code
220/240V 50 Hz	23067
220/230V 60 Hz	23580
110/115V 60 Hz	23393

Ref. 2 - Inlet Watervalue 2 Ways

Tension	Code
220/240V 50 Hz	23010
220/230V 60 Hz	23010
110/115V 60 Hz	23261

Ref. 3 - Inlet Watervalue 1 Way

Tension	Code
220/240V 50 Hz	23001
220/230V 60 Hz	23001
110/115V 60 Hz	23260

Ref. 4 - Hot Gas Coil

Tension	Code
220/240V 50 Hz	23091
220/230V 60 Hz	23091
110/115V 60 Hz	23256

Ref. 12 - Timer

Tension	Code
220/240V 50 Hz	23247
220/230V 60 Hz	23247
110/115V 60 Hz	23258