



**Kochgeräte
Elektro-Herde-Kochflächen Serie 700**

Artikelnr. 131007, 131008, 131009, 132003, 132004
(418031-115250, -115450, -315450, -515250, -515450)

- Auf Plattenform achten! -

Explosionszeichnung

SPARE PARTS CATALOGUE

Introduction:

This catalog enables to recognize our appliances' main spare parts reading the single exploded views.

How to look up in our catalogue :

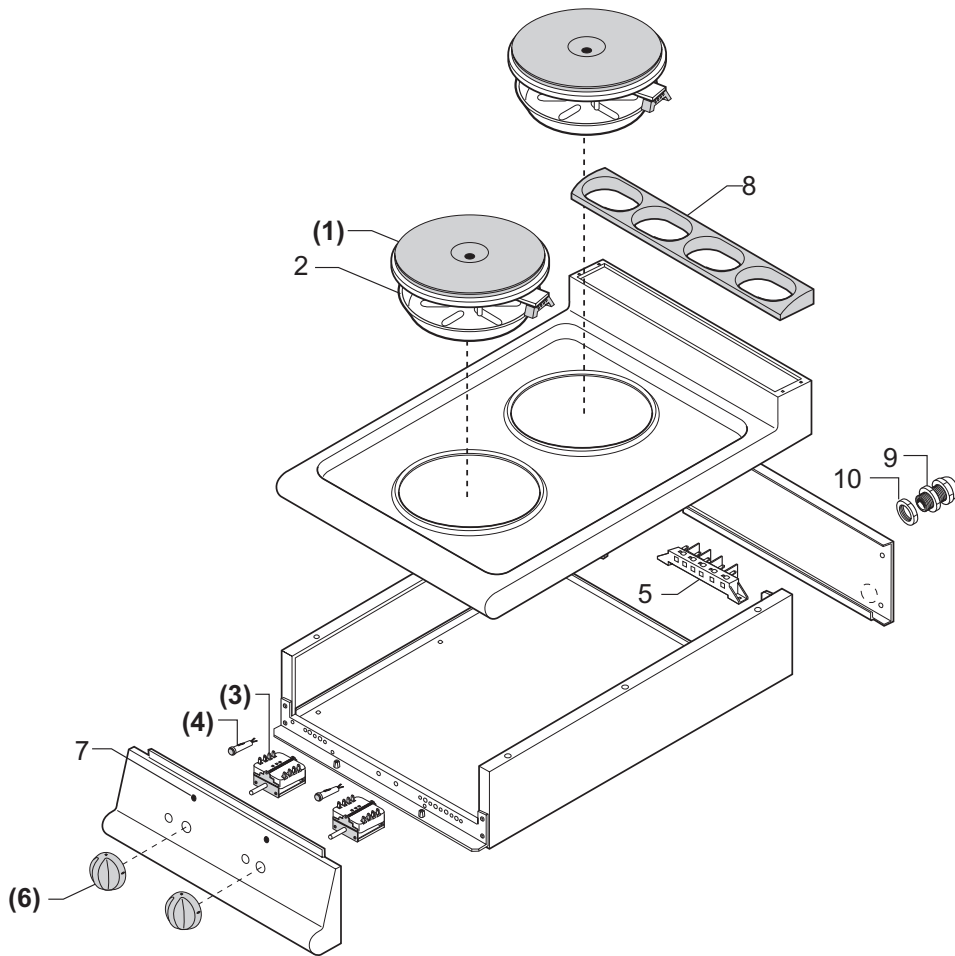
Hereunder we describe the correct method to look up in our catalogue, in order to locate the desired spare part in a quicker and more precise way.

For Example: You need the component's code-number of a gasrange with burners 1/1M.

- 1) Find the appliance's model and serial number on the rating plate.
(The rating plates are positioned in the internal side of the control panel).
- 2) Search for the belonging family in the index (BCPxxx-(0B)) . (f.ex. Gasrange with burners - top 1/1M).
- 3) After you have found the corresponding table you verify if the appliance's serial number is subsequent to that one indicated in the table.
- 4) You locate the desired spare part in the drawing on the left, and find the corresponding position in the table on the right.
- 5) Hence you obtain the codenumber and the description of the spare part you need.

LEGEND:

Position on the EXPLODED VIEW			X => Recommended spare part			
Article's codenr.		Technical description	Quantity x each model		Series	
					1/2M => L=40 cm.	
					1/1M => L=80 cm.	
					1+1/2M => L=120 cm.	
Pos	Codice	Descrizione	700	1/1M		
1	822410081	Medium burner head (Dm.102)		1		
2	822410051	Medium venturi duct (Dm.102)		1		
14	826920140	Pilot burner	x	2		



(.....) RICAMBIO CONSIGLIATO
 (.....) SUGGESTED SPARE-PARTS

PIASTRE ELETTRICHE TOP (Serie 700 - 1/2M)
ELECTRIC PLATES TOP (Serie 700 - 1/2M)

Tav. Rif. BCP0070-(50)

RIF. Da matricola n°
 REF. From serial n°

Rev.00 del 16/06/1997

cine p

ELECTRIC PLATES TOP

(1/2M)

Pos	Code	Denomination		700 1/2M					
1	826620010	Electric plate Ø=220mm - 2600W 400V	x	2					
2	821550020	Protection for plate D.220		2					
3	826630070	Six-way switch 16A	x	2					
4	826650020	Signal lamp 230V (green)	x	2					
5	826630100	Terminal board FV 122/B		1					
6	824710320	Switch knob 6 pos.	x	2					
7	824710080	Red index		2					
8	822410120	Exhaust grid		1					
9	824710200	Cable retainer PG21		1					
10	824710210	Lock nut PG21		1					

X: Suggested PARTS

PIASTRE ELETTRICHE TOP (Serie 700 - 1/2M)
ELECTRIC PLATES TOP

RIF. Da matricola n°
REF. From serial n°

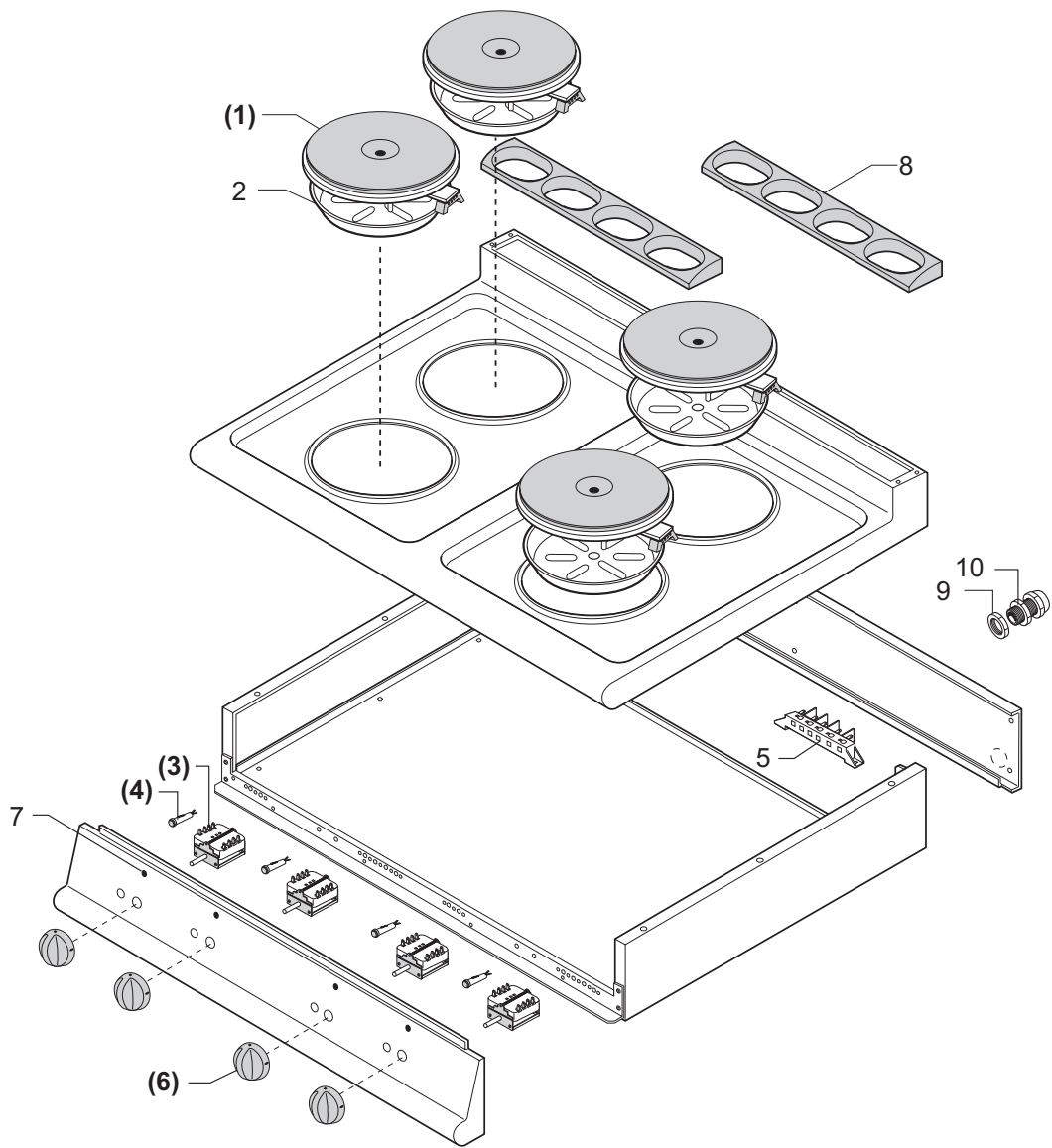
Baron Cucine Professionali S.r.l.

GB

RIPRODUZIONE ANCHE PARZIALE, VIETATA

BCP0070-(50)

cine p



(.....) RICAMBIO CONSIGLIATO
(.....) SUGGESTED SPARE-PARTS

PIASTRE ELETTRICHE TOP (Serie 700 - 1/1M)
ELECTRIC PLATES TOP (Serie 700 - 1/1M)

Tav. Rif. BCP0070-(52)

RIF. REF. Da matricola n°
From serial n°

Rev.00 del 16/06/1997

Baron Cucine Professionali S.r.l.

RIPRODUZIONE, ANCHE PARZIALE, VIETATA

BCP0070-(51)

ELECTRIC PLATES TOP (1/1M)

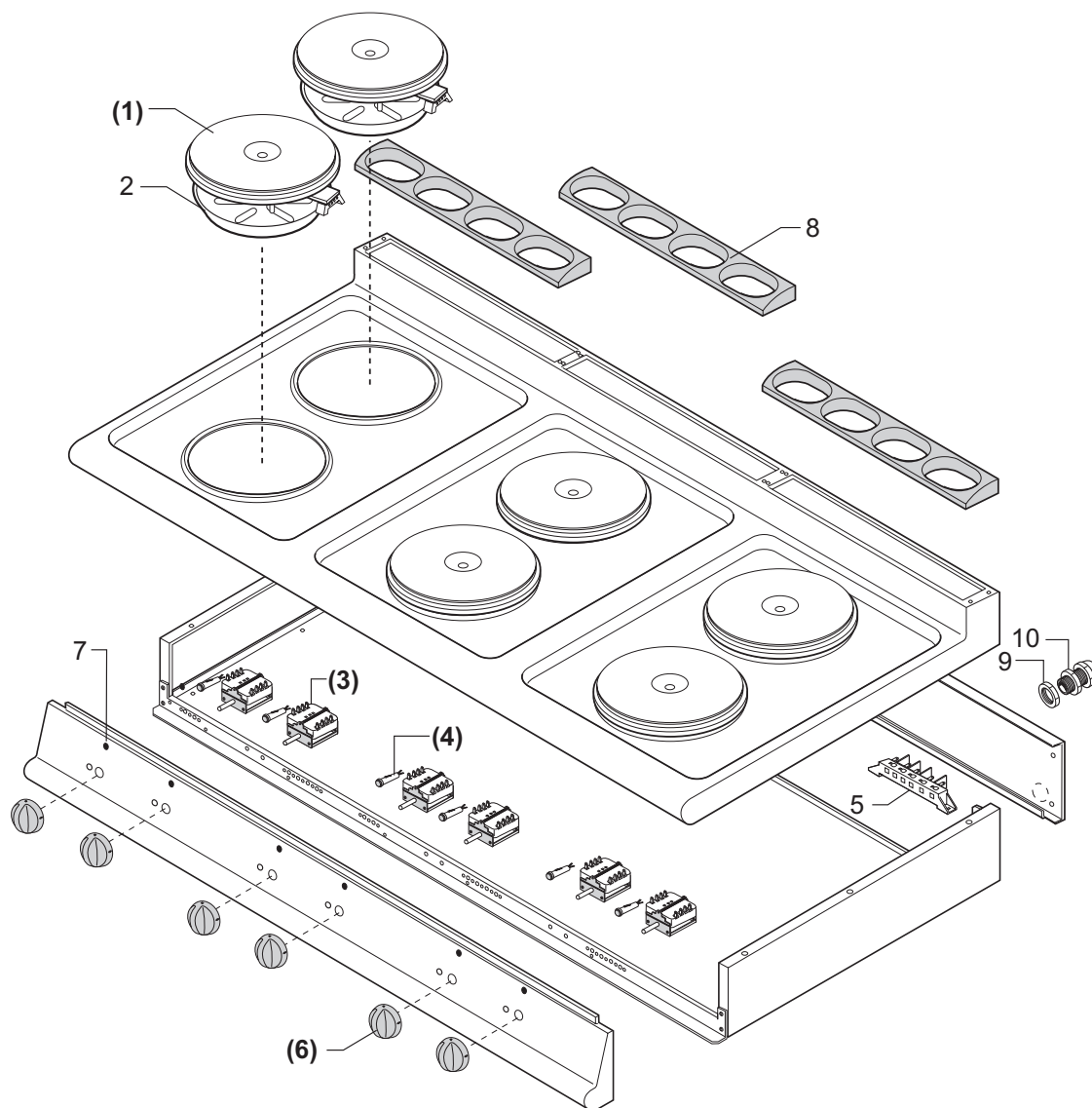
cine p

Pos	Code	Denomination	700	1/1M					
1	826620010	Electric plate Ø=220mm - 2600W 400V	x	4					
2	821550020	Protection for plate D.220		4					
3	826630070	Six-way switch 16A	x	4					
4	826650020	Signal lamp 230V (green)	x	4					
5	826630100	Terminal board FV 122/B		1					
6	824710320	Switch knob 6 pos.	x	4					
7	824710080	Red index		4					
8	822410120	Exhaust grid		2					
9	824710200	Cable retainer PG21		1					
10	824710210	Lock nut PG21		1					

X: Suggested PARTS

PIASTRE ELETTRICHE TOP (Serie 700 - 1/1M) ELECTRIC PLATES TOP		RIF.	Da matricola n°
		REF.	From serial n°

cine p



(.....) RICAMBIO CONSIGLIATO
 (.....) SUGGESTED SPARE-PARTS

PIASTRE ELETTRICHE TOP (Serie 700 - 1+1/2M)
ELECTRIC PLATES TOP (Serie 700 - 1+1/2M)

Tav. Rif. BCP0070-(54)

RIF. Da matricola n°
 REF. From serial n°

Rev.00 del 16/06/1997

Baron Cucine Professionali S.r.l.

RIPRODUZIONE, ANCHE PARZIALE, VIETATA

BCP0070-(53)

ELECTRIC PLATES TOP

cine p

(1+1/2M)

Pos	Code	Denomination		700					
				1+1/2M					
1	826620010	Electric plate Ø=220mm - 2600W 400V	x	6					
2	821550020	Protection for plate D.220		6					
3	826630070	Six-way switch 16A	x	6					
4	826650020	Signal lamp 230V (green)	x	6					
5	826630100	Terminal board FV 122/B		1					
6	824710320	Switch knob 6 pos.	x	6					
7	824710080	Red index		6					
8	822410120	Exhaust grid		3					
9	824710200	Cable retainer PG21		1					
10	824710210	Lock nut PG21		1					

X: Suggested PARTS

PIASTRE ELETTRICHE TOP (Serie 700 - 1+1/2M)				RIF.	Da matricola n°
ELECTRIC PLATES TOP				REF.	From serial n°

Baron Cucine Professionali S.r.l.

GB

BCP0070-(54)