

# ROBOT

LINEA ROBOT

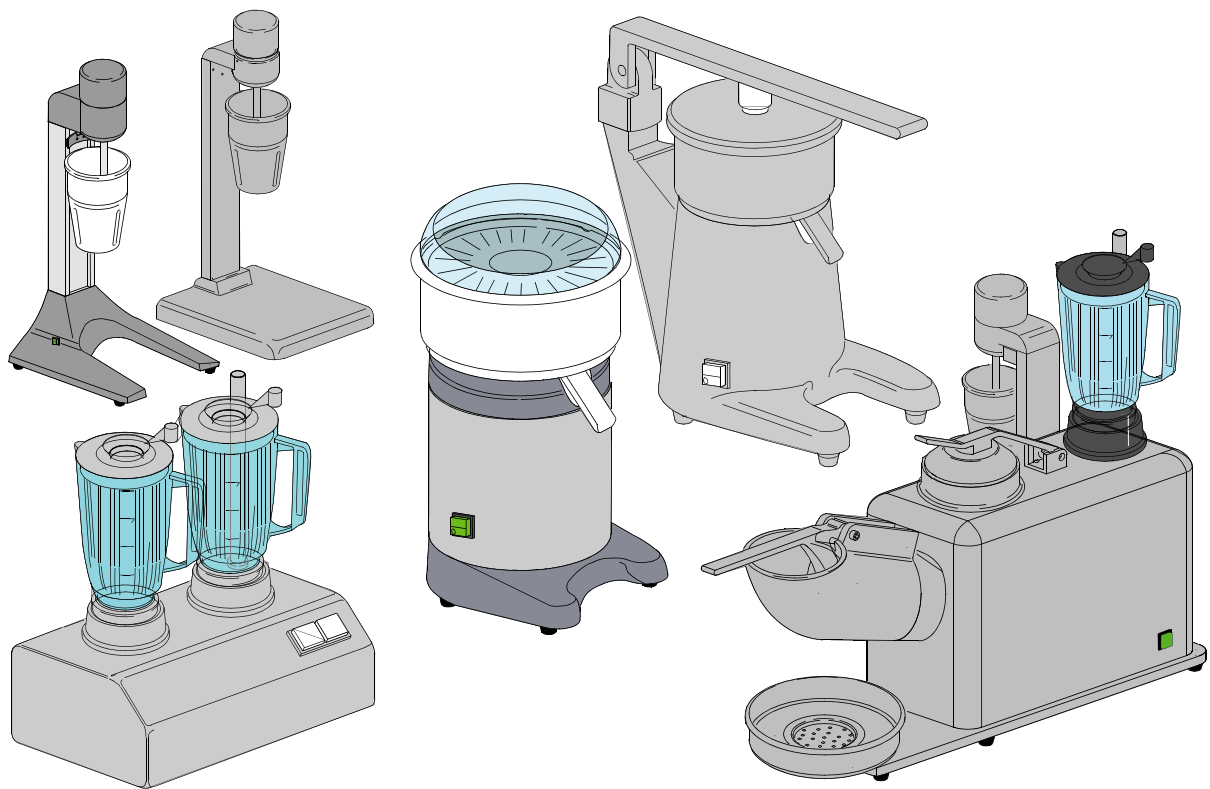
TYPE: RO

Accessories  
WITHOUT ACCESSORY

---

## Spare parts manual

---





## 1. Spare parts

<b>Blender F1 / F2 .....</b>	<b>7</b>
<b>Blender F1 / F2 .....</b>	<b>9</b>
<b>Blender F1 / F2 .....</b>	<b>11</b>
<b>Citrus squeezers S30 .....</b>	<b>13</b>
<b>Citrus squeezers S40 .....</b>	<b>15</b>
<b>Citrus squeezers S40 .....</b>	<b>17</b>
<b>Citrus squeezers S55 .....</b>	<b>19</b>
<b>Citrus squeezers S55 .....</b>	<b>21</b>
<b>Multiple group GM mod.03.....</b>	<b>23</b>
<b>Multiple group GM/2 mod.03 .....</b>	<b>25</b>
<b>Multiple group GM - GM/2.....</b>	<b>27</b>
<b>Multiple group GM2/2.....</b>	<b>29</b>
<b>Multiple group GM2/2 mod.03 .....</b>	<b>33</b>
<b>Multiple group GM3 mod.03.....</b>	<b>35</b>
<b>Multiple group GM4 mod.03.....</b>	<b>39</b>
<b>Multiple group GM3 - GM4.....</b>	<b>43</b>

**Spare parts**

---

**Mixer M1 - M2 - MP ..... 47**

**Mixer M1 - M2 - MP ..... 49**

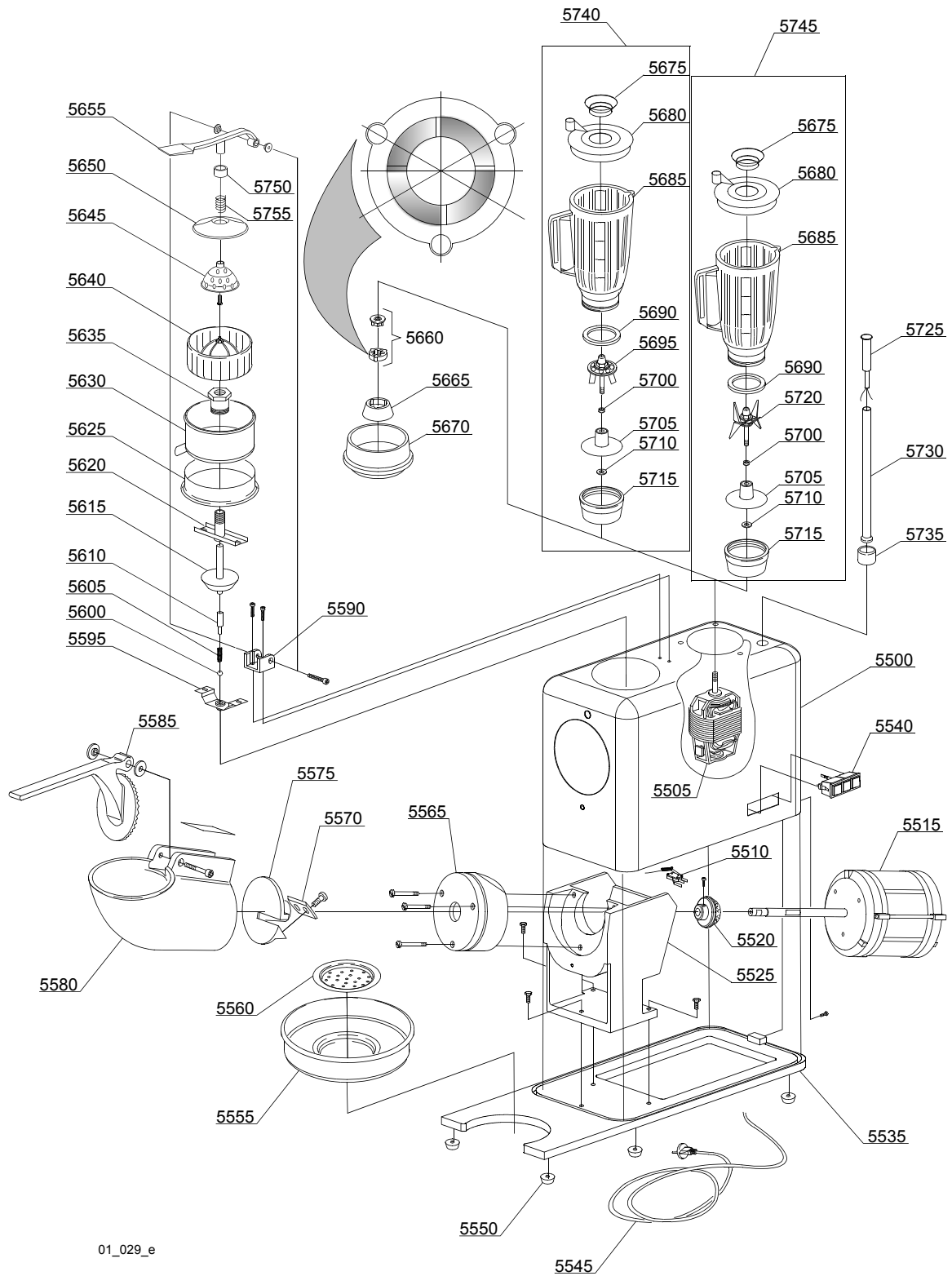
**Mixer M1 - M2 - MP ..... 51**

## 1.1 Voltage codes

Voltage code	Voltage
A	3/N/PE~400/230V 50Hz
B	~250V 16A 50Hz
C	3/N/PE~380/220V 50Hz
D	3/PE~200V 50-60Hz
F	2/PE 220-240V 50Hz
G	3/N/PE~415/240V 50Hz
H	3/PE~230V 50Hz
I	3/PE~220V 60Hz
J	3/PE~380 50Hz
K	3/PE~400V 50Hz
L	3/PE~415V 50Hz
M	3/PE~440V 60Hz
N	3/PE~460V 60Hz
O	3/PE~480V 60Hz
P	1/N/PE~220-240V 50Hz
R	2/PE~220-230V 60Hz
S	3/N/PE~400/230V 50Hz
T	3/PE~230V 60Hz

## 1.2 Product codes

Product code	Full name
Model codes	
Type codes	
51	51
56A	56A
56B	56B
56RB	56RB
56C	56C
56RC	56RC
56	56
57A	57A
57B	57B
57C	57C
57	57
581	581
582	582
58R	58R
58	58
RO	RO
BW	BW
Accessory codes	
wa	WITHOUT ACCESSORY



01\_029\_e

## Spare parts

ID	P-code	Model	Type	Accessory	Voltage	Description
MODULE:Multiple group GM3 mod.03						
5500	61013		BW,RO,5703,5703C			Stainless steel cover GM3 mod.03
5505	60360		BW,RO,5703,5703C			2 speed motor
5510	10704		BW,RO,5703,5703C			Microswitch
5515	60142		BW,RO,5703,5703C			Main motor
5520	60155		BW,RO,5703,5703C			Clutch pulley
5525	61003		BW,RO,5703,5703C			Engine support mod.03
5535	61006		BW,RO,5703,5703C			Base GM mod.03
5540	60139		BW,RO,5703,5703C			Triple push button panel
5545	60125		BW,RO,5703,5703C			Power supply cable
5550	60126		BW,RO,5703,5703C			Rubber small foot
5555	60137		BW,RO,5703,5703C			Ice holder little tank
5560	60136		BW,RO,5703,5703C			Perforated rounded small grill
5565	61004		BW,RO,5703,5703C			Feeder support mod.03
5570	60127		BW,RO,5703,5703C			Blade for ice-crusher
5575	61002		BW,RO,5703,5703C			Blade holder
5580	61000		BW,RO,5703,5703C			Ice feeder
5585	61001		BW,RO,5703,5703C			Ice press handle
5590	61057		BW,RO,5703,5703C			Lever holder
5595	61050		BW,RO,5703,5703C			Axle support
5600	61051		BW,RO,5703,5703C			Sphere
5605	61052		BW,RO,5703,5703C			Spring
5610	61053		BW,RO,5703,5703C			Shaft
5615	61054		BW,RO,5703,5703C			Aluminium pulley
5620	61055		BW,RO,5703,5703C			Axis guide
5625	61059		BW,RO,5703,5703C			Basin citrus-fruit squeezer support
5630	61058		BW,RO,5703,5703C			Fruit-juice squeezer little tank
5635	61056		BW,RO,5703,5703C			Nut lock small basin mod.03
5640	60555		BW,RO,5703,5703C			Complete crown
5645	60554		BW,RO,5703,5703C			Little bell citrus-fruit squeezer mod.03
5650	60553		BW,RO,5703,5703C			Little bell citrus-fruit squeezer cover mod.03
5655	60550		BW,RO,5703,5703C			Citrus-fruit squeezer handle
5660	60107		BW,RO,5703,5703C			Female-male gear
5665	60362		BW,RO,5703,5703C			Gear support
5670	60361		BW,RO,5703,5703C			Blender glass support
5675	60192		BW,RO,5703,5703C			Plug for glass cover
5680	60182		BW,RO,5703,5703C			Glass plug
5685	60191		BW,RO,5703,5703C			1,5lt plastic glass
5690	60183		BW,RO,5703,5703C			Glass gasket
5695	60108		BW,RO,5703,5703C			Blender cone assembly
5700	60197		BW,RO,5703,5703C			V-ring Ø 6
5705	60195		BW,RO,5703,5703C			Bushing support disk
5710	60196		BW,RO,5703,5703C			Antifriction washer
5715	60184		BW,RO,5703,5703C			Glass base
5720	60116		BW,RO,5703,5703C			Knife assembly with axle

**Spare parts**

ID	P-code	Model	Type	Accessory	Voltage	Description
5725	60198		BW,RO,5703,5703C			Microswitch
5730	60363		BW,RO,5703,5703C			Micro axle-holder pipe
5735	60365		BW,RO,5703,5703C			Micro axle support
5740	60178		BW,RO,5703,5703C			1,5lt plastic glass with cones
5745	60176		BW,RO,5703,5703C			1,5lt plastic glass with blades
5750	60551		BW,RO,5703,5703C			Bell bush mod.03
5755	60552		BW,RO,5703,5703C			Bell spring mod.03