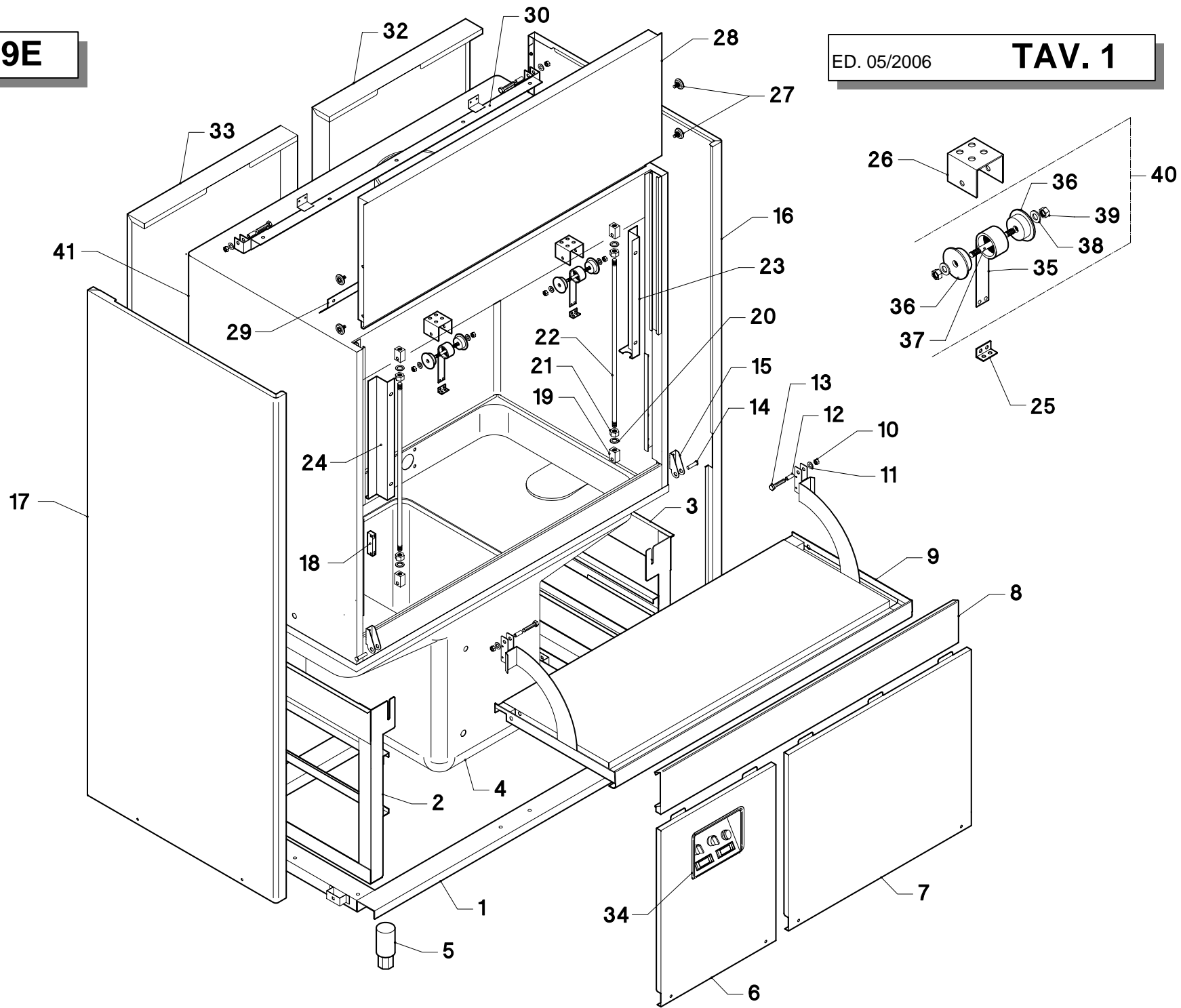
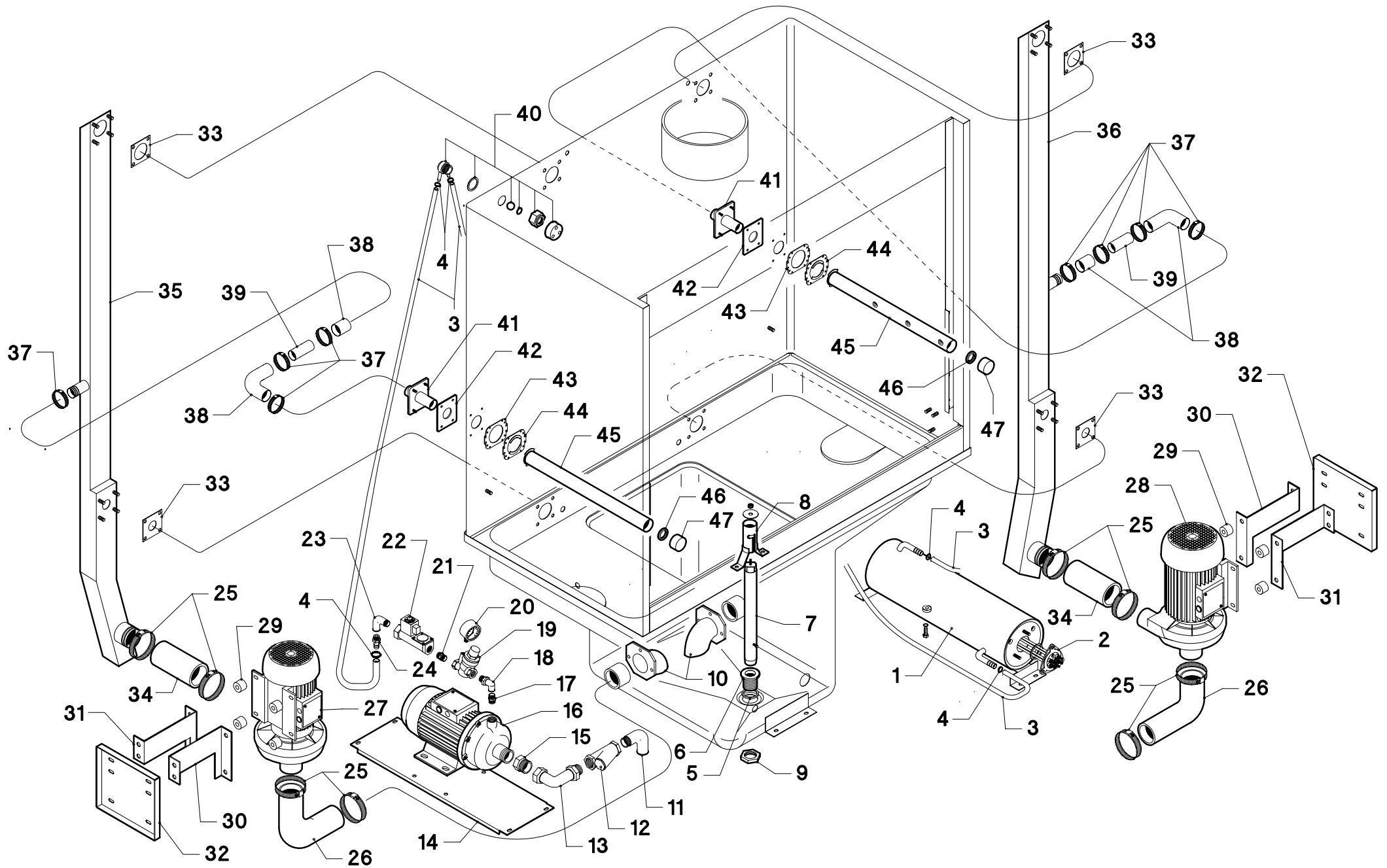


**LP 109E**

ED. 05/2006 **TAV. 1**

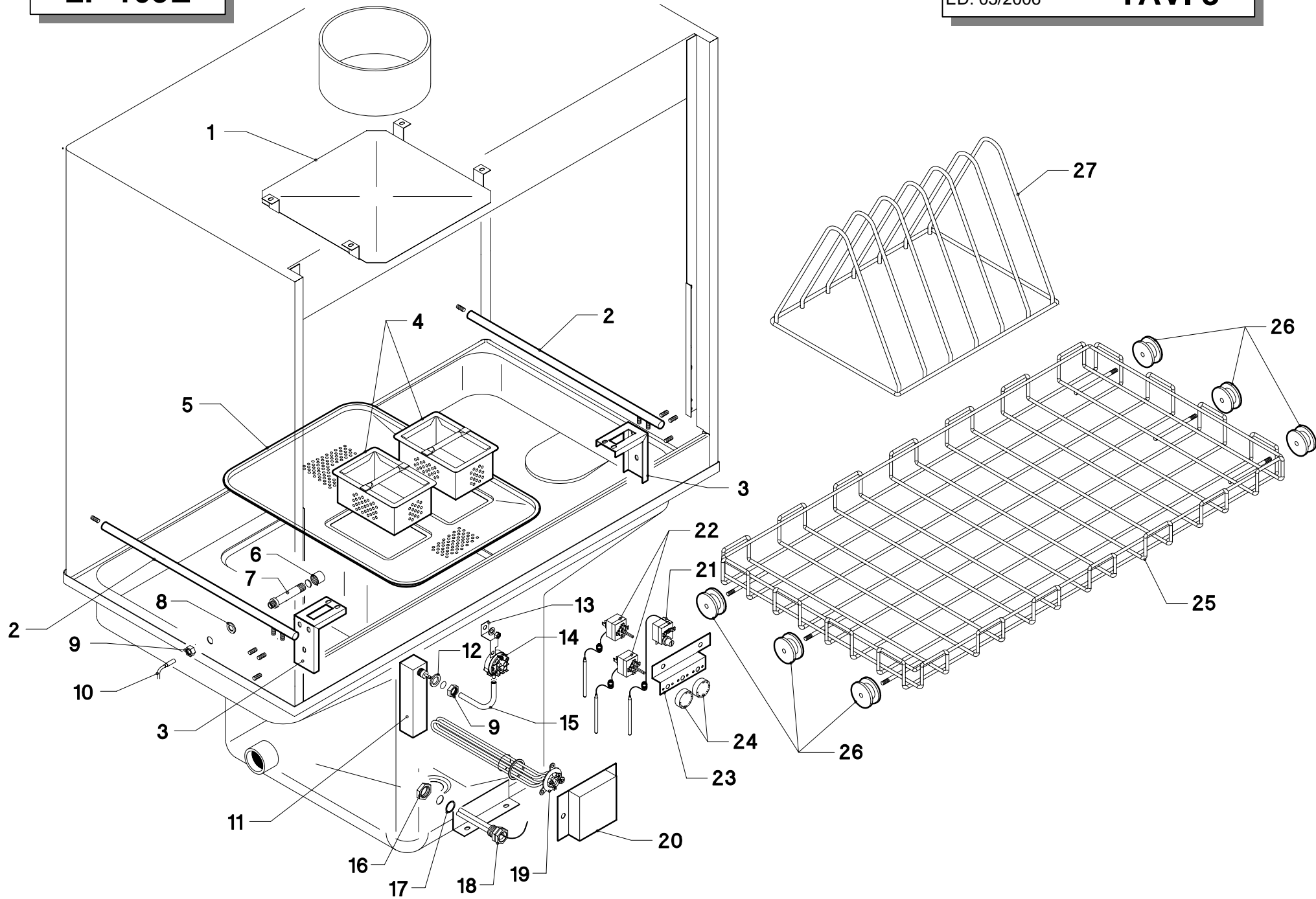


<b>Pos.</b>	<b>COD.</b>	<b>Q.tà</b>	<b>DESCRIZIONE</b>	<b>DENOMINATION</b>	<b>DESCRIPTION</b>	<b>BEZEICHNUNG</b>	<b>DESCRIPCIÓN</b>
1	TR3654	1	BASAMENTO	SOCLE	BASE	UNTERSTRUKTUR	BASE
2	TR3668	1	SUPPORTO VASCA SX	SUPPORT CUVE SX	TANK SUPPORT SX	TANKHALTERUNG SX	SOPORTE PILETA SX
3	TR3669	1	SUPPORTO VASCA DX	SUPPORT CUVE DX	TANK SUPPORT DX	TANKHALTERUNG DX	SOPORTE PILETA DX
4	TR3601	1	VASCA	BASSIN	TANK	WANNE	BATEA
5	TR0295	4	PIEDINO REGOLABILE	PETIT PIED RÉGABLE	RUBBER LEG	EINSTELLBARESOCKEL	PIÉ REGULABLE
6	TR3662	1	PANNELLO COMANDI	TABLEAU COMMANDE	CONTROL PANEL	SCHALTAFEL	PANEL DE COMANDO
7	TR3703	1	PANNELLO FRONTALE	PANNEAU FRONTAL	FRONTAL PANEL	FRONT VERKLEIDUNG	PANEL FRONTAL
8	TR3663	1	PANNELLO FRONTALE SUPERIORE	PANNEAU FRONTAL SUPÉRIEUR	HIGHER FRONTAL PANEL	FRONTALER VORGESETZTER	PANEL FRONTAL SUPERIOR
9	TR3664	1	PORTA INFERIORE	PORTE INFÉRIEUR	LOWER DOOR	UNTERER TÜR	PUERTA INFERIOR
10	902019	2	DADO M8 AUTOBLOCCANTE	ECROU AUTO-BLOQUANT	SELF-LOCKING NUT	SELBSTSICHERNDE MUTTER	TUERCA AUTOBLOQUEANTE
11	906040	2	RONDELLA PIANA Ø8	RONDELLE	WASHER	UNTERLEGSSCHEIBE	ARANDELA
12	TR0930	2	TUBETTO PASSANTE	TUYAU	PIPE	ROHR	TUBITO PASANTE
13	907835	2	VITE T.E. M8x40	VIS	SCREW	SCHRAUBE	TORNILLO
14	TR2446	2	PERNO PORTA	TOURILLON DE LA PORTE	DOOR PIN	TÜRSCHARNIERESTIFT	PERNO PUERTA
15	TR3632	2	CERNIERA	PATTE	DOOR SUPPORT	SCHARNIER	BISAGRA
16	TR3661	1	PANNELLO LATERALE DX	PANNEAU DROITE	RIGHT PANEL	RECHTE VERKLEIDUNG	PANEL DERECHO LATERAL
17	TR3515	1	PANNELLO LATERALE SX	PANNEAU GAUCHE	LEFT PANEL	LINKE VERKLEIDUNG	PANEL IZQUIERDO LATERAL
18	TR0220	1	CUSTODIA CON MAGNETE	PROTECTION MAGNETO	COVER MAGNET	MAGNETSCHUTZ	ESTUCHE CON IMÁN
19	TR0931	4	BLOCCHETTO TIRANTE PORTA	BLOC TIRANT DE LA PORTE	DOOR STAY BAR BLOCK	BLOCK TÜRSTANGE	BLOQUE VARILLA DE LA PUERTA
20	905941	4	RONDELLA GROWER Ø10	RONDELLE	WASHER	UNTERLEGSSCHEIBE	ARANDELA GROWER
21	902022	4	DADO M10	ECROU	NUT	MUTTER	TUERCA
22	TR0929	2	TIRANTE PORTA	TIRANT DE LA PORTE	DOOR STAY BAR	TÜRSTANGE	VARILLA DE LA PUERTA
23	TR3670	1	PARASPRUZZI DX	GARDE-JETS DROITE	RIGHT SPRAY-GUARD	RECHTE SPRITZSCHUTZ	SALPICADERO DERECHO
24	TR3690	1	PARASPRUZZI SX	GARDE-JETS GAUCHE	LEFT SPRAY-GUARD	LINKE SPRITZSCHUTZ	SALPICADERO IZQUIERDO
25	TR0615	2	AGGANCIO MOLLA	CROCHET RESSORT	SPRING HOOKING	KUPPLUNGFEDER	ENGANCHE RESORTE
26	TR2008	2	SQUADR. FISSAGGIO MOLLA	EQUERRE POUR RESSORT	SPRING SUPPORT	FEDER TRÄGER	ANGULAR FIJADORESORTE
27	908704	4	CUSCINETTO CON PERNO	ROULEMENT	BEARING	LAGER	COJINETE
28	TR3666	1	PORTA SUPERIORE	PORTE SUPERIEUR	UPPER DOOR	OBERER TÜR	PUERTA SUPERIOR
29	TR3375	1	TEGOLINO PARASPRUZZI	GARDE-JETS	SPRAY-GUARD	SPRITZSCHUTZ	SALPICADERO
30	TR3376	1	TRAVERSA SUPPORTO MOLLE	SUPPORT RESSORT	SPRINGS SUPPORT	FRÜHLINGE UNTERSTÜTZUNG	SOPORTE RESORTE
31	TR3655	1	CAPOTE COMPLETA	CAPOTE	HOOD	GEHAUSE	CAPOTE
32	TR3659	1	PANNELLO POSTERIORE DX	PANNEAU POSTERIEUR DROITE	RIGHT BACK PANEL	RECHTE HINTERE VERKLEIDUNG	PANEL DERECHO POSTERIOR
33	TR3660	1	PANNELLO POSTERIORE SX	PANNEAU POSTERIEUR GAUCHE	LEFT BACK PANEL	LINKE HINTERE VERKLEIDUNG	PANEL IZQUIERDO POSTERIOR
34	TR3709	1	TARGA + RETROTARGA	PLAQUETTE	PLATE	SCHILD	PLACA
35	TR1859	2	MOLLA	RESSORT	SPRING	FEDER	RESORTE
36	TR0999	4	SUPP. SCORRIMENTO MOLLA	SUPPORT POUR RESSORT	SPRING SUPPORT	FEDER TRÄGER	SOP. DESLIZAMIENTO RESORTE
37	956054	2	PERNO AGGANCIO MOLLA	PIVOT RESSORT	SPRING PIN	ZAPFEN FEDER	PERNO RESORTE
38	906050	4	RONDELLA PIANA	RONDELLE	WASHER	UNTERLEGSSCHEIBE	ARANDELA
39	902019	4	DADO M8 AUTOBLOCCANTE	ECROU AUTO-BLOQUANT	SELF-LOCKING NUT	SELBSTSICHERNDE MUTTER	TUERCA AUTOBLOQUEANTE
40	TR1863	2	SUPP. CON MOLLA PORTA COMPL.	SUPP. AVEC RESSORT PORTE COMPL.	SUPP. WITH DOOR SPRING COMPL.	TRÄGER MIT FEDER TÜR VOLLSTÄNDIG	SOP. CON RESORTE PUERTA COMP.
41	TR3655	1	CAPOTE COMPLETA	CAPOTE	HOOD	GEHAUSE	CAPOTE



Pos.	COD.	Q.tà	DESCRIZIONE	DENOMINATION	DESCRIPTION	BEZEICHNUNG	DESCRIPCIÓN
1	TR1090	1	BOILER	CHAUFFE EAU	BOILER	HEISSWASSERSPEICHER	BOILER
2	TR0347	1	RESISTENZA	RESISTANCE	HEATING ELEMENT	HEIZKÖRPER	RESISTENCIA
3	907350	3	TUBO GOMMA 12x22	TUYAU EN CAOUTCHOUC	RUBBER HOSE	GUMMISCHLAUCH	TUBO GOMA
4	902450	5	FASCETTA Ø 12÷24	COLLIER	CLAMP	SHELLE	ABRAZADERA
5	904380	1	O-RING	O-RING	O-RING	O-RING	O-RING
6	905450	1	RACCORDO SCARICO	RACCORD DÉCHARGÉ	PIPE FITTING FOR OUTLET	ABLAUFANSCHLUSS	EMPALME DESAGOTE
7	TR0939	1	TROPPO PIENO	NIVEAU	OVER FLOW	VEBERLAUF	DAMISIADO LLENO
8	TR0933	1	GUIDA TROPPOPIENO	COULISSE NIVEAU	OVER FLOW GUIDE	UBERLAUFROHR KORB	GUIA DEMASIADOLLENO
9	902080	1	GHIERA 1" ¼	VIROLE	LOCK NUT	NUT MUTTER	ABRAZADERA
10	TR0977	2	RACCORDO ASPIRAZIONE	RACCORD D'ASPIRATION	INTAKE PIPE FITTING	ANSAUGANSCHLUSSE	EMPALME DE ASPIRACIÓN
11	TR2422	1	GOMITO 1" GAS	RACCORD	PIPE FITTING	ANSCHLUSSE	EMPALME CODO
12	TR0121	1	FILTRO 1"	FILTRE	FILTER	FILTER	FILTRO
13	TR2330	1	BOCCHETTONE 1" GAS	GOULOTTE	PIPE UNION	STUTZEN	RAMPA DE DESAGÜE RECTO
14	TR3657	1	SUPPORTO POMPA	SUPPORT POMPE	PUMP SUPPORT	PUMPE TRÄGER	SOPORTE BOMBA
15	TR2361	1	RIDUZIONE 1" - 1/4"	REDUCTION	REDUCTION	VERMINDERUNG	TUBO CINC
16	902360	1	POMPA	POMPE	PUMP	PUMPE	BOMBA
17	TR2369	1	RIDUZIONE 1" - 1/2"	REDUCTION	REDUCTION	VERMINDERUNG	TUBO CINC
18	TR2329	1	BOCCHETTONE CURVO ½"	GOULOTTE	PIPE UNION	STUTZEN	RAMPA DE DESAGÜE CURVO
19	TR0371	1	RIDUTTORE DI PRESSIONE	REDUCTEUR	PRESSURE REDUCER	DRUCKMINDERER	REDUCTOR DE PRECIÓN
20	TR0244	1	MANOMETRO	MANOMETRE REDUCTEUR	PRESSURE GANGE	DRUCK MESSER	MANÓMETRO
21	TR2347	2	NIPPLO RIDOTTO	NIPPLES	NIPPLE	NIPPLE	NIPLE REDUCCIÓN
22	TR0090	1	ELETTROVALVOLA	SOUPAPE ELECTRIQUE	ELECTRIC VALVE	ELEKTROVENTIL	VALVULA ELETRICA
23	TR2421	1	GOMITO 3/4"	RACCORD	PIPE FITTING	ANSCHLUSSE	EMPALME CODO
24	907940	1	PORTAGOMMA 3/4" PAP	RACCORD	HOSE BARB	ANSCHLUSS	GOME PARA PUERTA
25	902490	8	FASCETTA Ø 58÷75	COLLIER	CLAMP	SHELLE	ABRAZADERA
26	903701	2	MANICOTTO ASPIRAZIONE	MANCHON D'ASPIRATION	INLET MUFF	ANSAUGMUFFE	PALANCA DE ASPIRACIÓN
27	TR0079	1	POMPA 2 KW SX	POMPE GAUCHE	LEFT PUMP	LINKE PUMPE	BOMBA IZQUIERDA
28	TR0080	1	POMPA 2 KW DX	POMPE DROITE	RIGHT PUMP	RECHTE PUMPE	BOMBA DERECHA
29	905015	8	AMMORTIZZATORI	AMORTISSEURS	SHOCK ABSORBERS	STOSSDÄMPFER	AMORTIGUADORES
30	TR3373	2	SUPPORTO POMPA DX	SUPPORT POMPE DROITE	RIGHT PUMP SUPPORT	RECHTE PUMPE TRÄGER	SOPORTE BOMBA DERECHO
31	TR3374	2	SUPPORTO POMPA SX	SUPPORT POMPE GAUCHE	LEFT PUMP SUPPORT	LINKE PUMPE TRÄGER	SOPORTE BOMBA IZQUIERDO
32	TR0630	2	SUPPORTO POMPA	SUPPORT POMPE	PUMP SUPPORT	PUMPE TRÄGER	SOPORTE BOMBA
33	903381	8	GUARNIZIONE	JOINT	GASKET	DICHTUNG	GUARNICIÓN

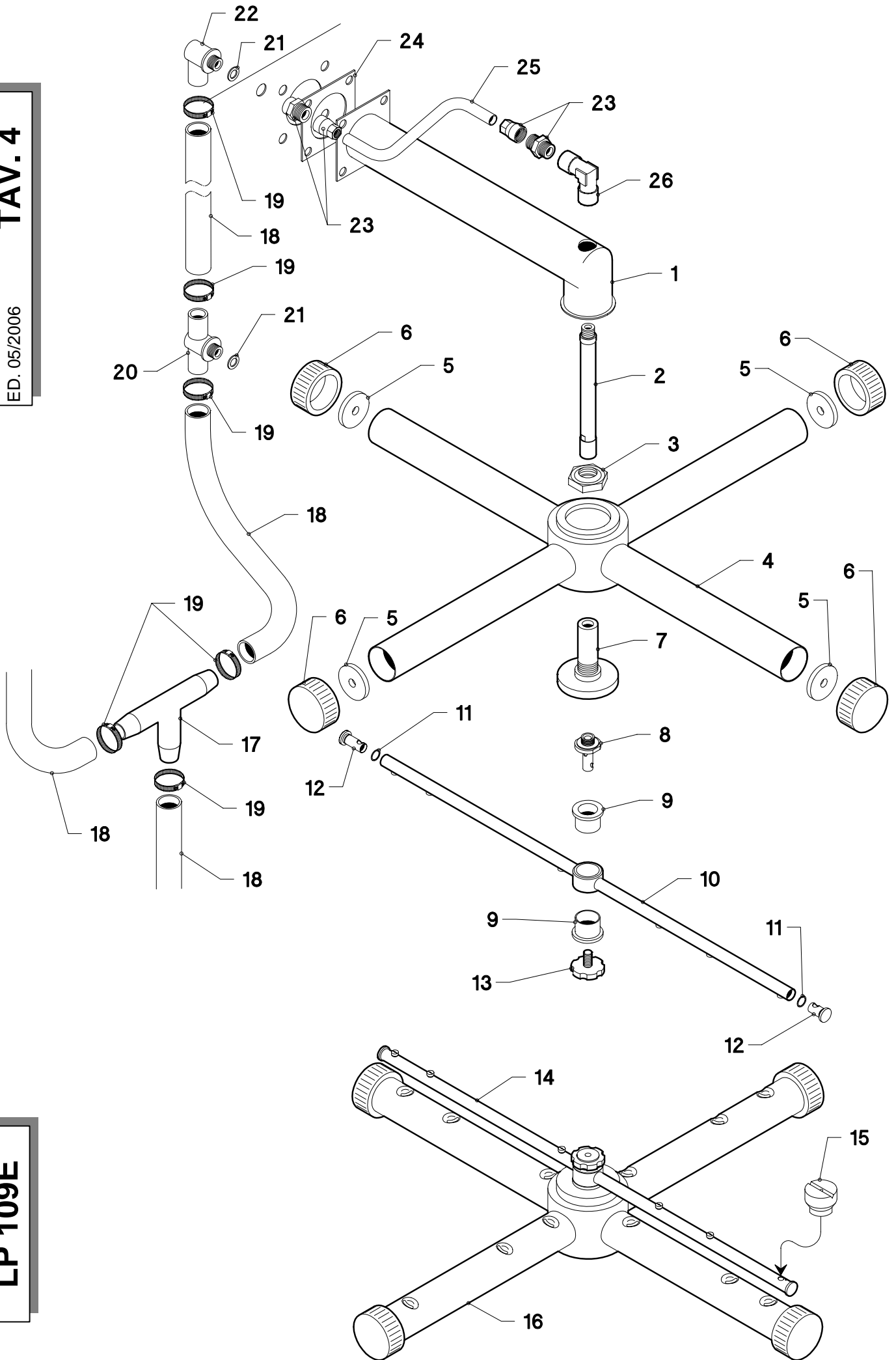
Pos.	COD.	Q.tà	DESCRIZIONE	DENOMINATION	DESCRIPTION	BEZEICHNUNG	DESCRIPCIÓN
34	TR0710	2	MANICOTTO MANDATA	MANCHON DE REFAULEM.	OUTLET ELBOW	AUSLAMUFFE	PALANCA DE MANDO
35	TR3686	1	COLONNA LAVAGGIO DX	COLONNE DE LAVAGE DROITE	RIGHT WASHING PIPE	RECHTE SPÜLUNG SAÜLE	COLUMNNA LAVADO DERECHO
36	TR3687	1	COLONNA LAVAGGIO SX	COLONNE DE LAVAGE GAUCHE	LEFT WASHING PIPE	LINKE SPÜLUNG SAÜLE	COLUMNNA LAVADO IZQUIERDA
37	902460	8	FASCETTA Ø 26+38	COLLIER	CLAMP	SHELLE	ABRAZADERA
38	903851	2	MANICOTTO	MANCHON	SLEEVE	MUFFE	PALANCA
39	950020	2	TUBO INOX Ø28x1	TUYAU INOX	INOX PIPE	SCHLAUCH INOX	TUBO INOX
40	TR2433	1	VALVOLA ANTIRIFLUSSO	VALVE	VALVE	VENTIL	VALVULA
41	TR3647	2	SUPP. BRACCIO LAVAGGIO LATER.	SUPP. BRAS DE LAVAGE LATERAL	LATERAL WASHING PIPE SUPPORT	SPÜLUNGSÄULE TRÄGER	SOP. BRAZO LAVADO LATERAL
42	TR3571	2	GUARNIZIONE	JOINT	GASKET	DICHTUNG	GUARNICIÓN
43	TR2090	2	FLANGIA	FLASQUE	FLANGE	FLANSCH	BRIDA
44	TR2091	2	CONTROFLANGIA	CONTRE-BRIDE	FLANGE COUPLING	GEGENFLANSCH	CONTROBRIDA
45	TR3513	2	BRACCIO LAVAGGIO LATERALE	BRAS DE LAVAGE LATERAL	LATERAL WASHING PIPE	SPÜLUNGSÄULE	BRAZO LAVADO LATERAL
46	903404	2	GUARNIZIONE	JOINT	GASKET	DICHTUNG	GUARNICIÓN
47	TR3230	2	TAPPO	BOUCHON	PLUG	PROPFEN	TAPÓN



Pos.	COD.	Q.tà	DESCRIZIONE	DENOMINATION	DESCRIPTION	BEZEICHNUNG	DESCRIPCIÓN
1	TR0922	1	PARASPRUZZI	GARDE-JETS	SPRAY-GUARD	SPRITZSCHUTZ	SALPICADERO
2	TR3656	2	GUIDA PORTACESTELLO	COULISSE PANIER	BASKET GUIDE	KORBÜFHRUNG	GUIA CESTO
3	955784	2	SUPPORTO GUIDA CESTELLO	SUPPORT PANIER	BASKET SUPPORT	KORBÜFHRUNG TRÄGER	SOPORTE GUIA CESTO
4	906704	1	FILTRO A CASSETTO	TIROIR FILTRE	DRAWER FILTER	FACH-FILTER	FILTRO A CAJÓN
5	TR3602	1	FILTRO VASCA	FILTRE BASSIN	TANK FILTER	FILTER WANNE	FILTRO BATEA
6	906453	1	TAPPO	BOUCHON	PLUG	PROPFEN	TAPÓN
7	TR0995	1	MICRO PORTA	MICRO PORTE	MICRO SWITCH	MICROSCHALTER	MICRO PUERTA
8	904330	1	O-RING	O-RING	O-RING	O-RING	O-RING
9	902100	2	DADO 3/8"	ECROU	NUT	MUTTER	TUERCA
10	TR0309	1	REED MAGNETICO	REED	REED	REED	REED MAGNÉTICO
11	TR0935	1	TRAPPOLA ARIA	RESERVOIR AIR	AIR TRAP	LUFTFALLE	TRAMPA DEL AIRE
12	903260	1	GUARNIZIONE	JOINT	GASKET	DICHTUNG	GUARNICIÓN
13	906399	1	SQUADRETTA PRESSOSTATO	EQUERRE PRESSOSTAT	PRESSURE SWITCH BRACKET	WINKEL DRUCHWAECHTER	ANGULAR PRESÓSTATO
14	905276	1	PRESSOSTATO 30 - 160	PRESSOSTAT	PRESSURE SWITCH	DRUCHWAECHTE	PRESOSTATO
15	907271	1	TUBO PRESSOSTATO	TUYAU PRESSOSTAT	PRESSURE SWITCH PIPE	SCHLAUCH	TUBO PRESÓSTATO
16	902061	1	GHIERA 1/2"	VIROLE	LOCK NUT	NUT MUTTER	ABRAZADERA
17	903250	1	GUARNIZIONE 1/2"	JOINT	GASKET	DICHTUNG	GUARNICIÓN
18	TR0298	1	PORTABULBO	SIEGE DE BULBE	SEATING BULB	KUGEL SITZ	PORTABULBO
19	TR0335	1	RESISTENZA	RESISTANCE	HEATING ELEMENT	HEIZKÖRPER	RESISTENCIA
20	TR1037	1	COPRIRESISTENZA	PROTECTION RESISTANCE	HEATING COVER	HEIZKÖRPER SCHUTZ	CUBRE RESISTENCIA
21	907125	1	TERMOSTATO DI SICUREZZA	THERMOSTAT	THERMOSTAT	THERMOSTAT	TERMÓSTATO DE SEGURIDAD
22	TR0440	2	TERMOSTATO 0°-90°	THERMOSTAT	THERMOSTAT	THERMOSTAT	TERMÓSTATO
23	TR3371	1	SQUADRETTA TERMOSTATI	EQUERRE THERMOSTAT	THERMOSTAT BRACKET	WINKEL THERMOSTAT	ANGULAR TERMÓSTATO
24	903982	2	MANOPOLA	BOUTON	KNOB	KNOPF	EMPUÑADURA
25	TR1126	1	CESTELLO	PANIER	BASKET	KORB	CESTO
26	TR0984	6	RUOTA CESTELLO	ROUE POUR PANIER	BASKET WHEEL	RÄDCHEN	RUEDA CESTO
27	TR0926	1	PORTATEGLIE	ÉGUTTOIR	PLATE RACK	BRETT	PORTA TORTERA

# TAV. 4

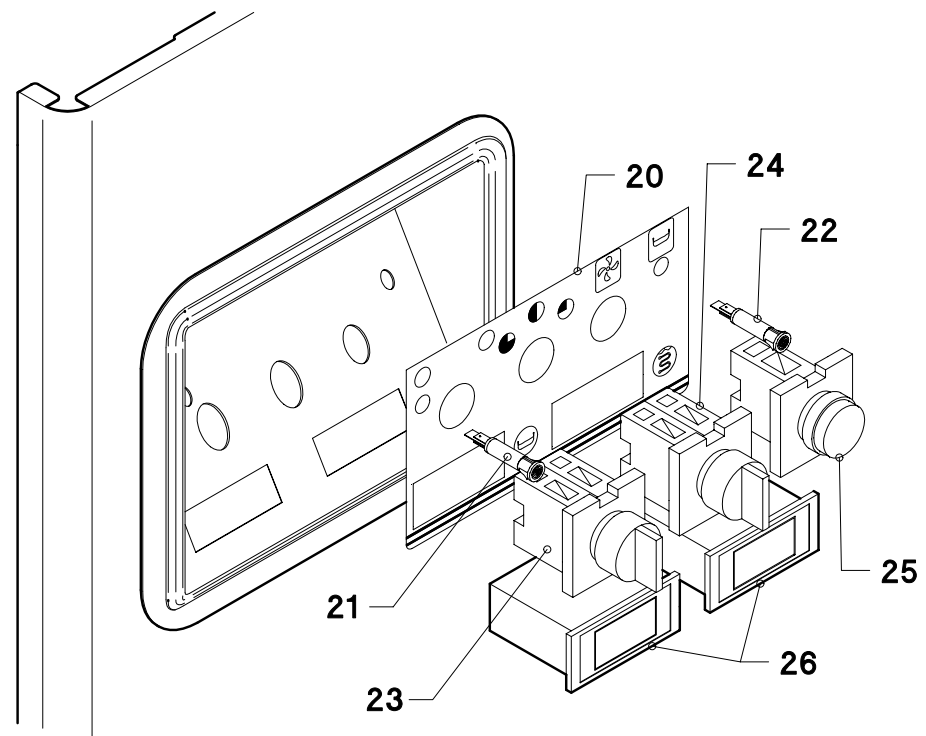
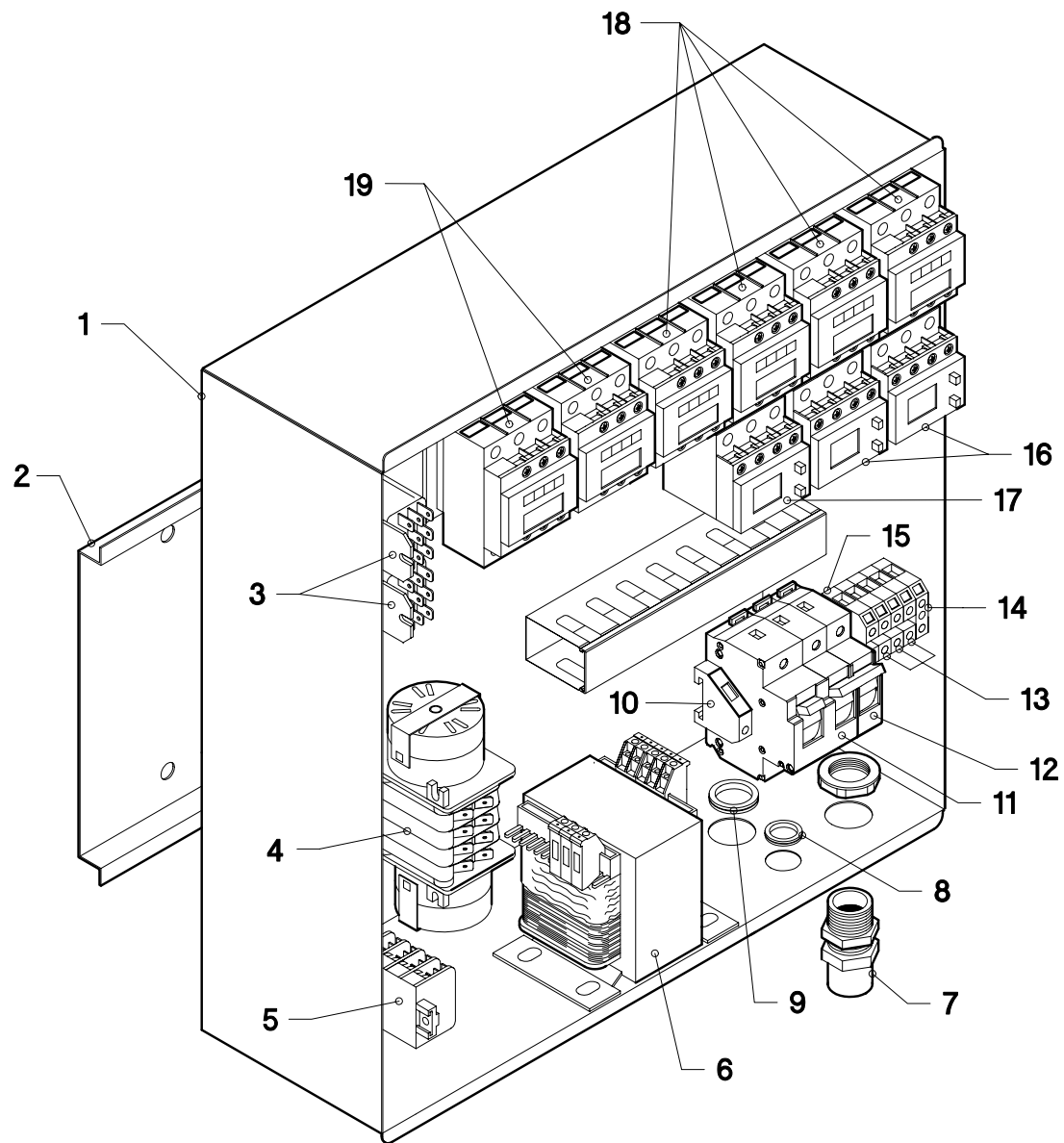
ED. 05/2006



# LP 109E



Pos.	COD.	Q.tà	DESCRIZIONE	DENOMINATION	DESCRIPTION	BEZEICHNUNG	DESCRIPCIÓN
1	908732	4	BRACCIO LAVAGGIO	BRAS DE LAVAGE	WASHING ARM	WASCHLAUFRAD	BRAZO LAVADO
2	908735	4	PERNO GIRANTE RISCIAQUO	TOURILLON DE RINÇAGE	RINSE PIN	SPÜLLSTIFT	PERNO ENJUAGUE
3	902890	4	GHIERA BLOCCAGGIO	FRETTE DE BLOCAGE	RING-NUT	KLEMMUTTER	ABRAZADERA BLOQUEO
4	TR0994	4	GIRANTE LAVAGGIO	BRAS DE LAVAGE	WASH ARM	SPÜLLARM	RODETE LAVADO
5	TR2051	16	GUARNIZIONE	JOINT	GASKET	DICHTUNG	GUARNICIÓN
6	TR3230	16	TAPPO PER BRACCIO LAVAGGIO	BOUCHON BRAS DE LAVAGE	PLUG FOR WASH ARM	VERSCHLUSS SPÜLLARM	TAPÓN PARA BRAZO LAVADO
7	904281	4	MOZZO GIRANTE LAVAGGIO	MOYEU	HUB	NABE	BUJE RODETE LAVADO
8	904762	4	PERNO RISCIAQUO	TOURILLON DE RINÇAGE	RINSE PIN	SPÜLLSTIFT	PERNO ENJUAGUE
9	900530	8	BUSSOLA	DOUILLE	BUSH	BUCHSE	BRÚJULA
10	TR0894	4	GIRANTE RISCIAQUO	BRAS DE RINÇAGE	RINSE ARM	SPÜLLSTIFT	RODETE ENJUAGUE
11	904321	8	O-RING	O-RING	O-RING	O-RING	O-RING
12	906450	8	TAPPO	BOUCHON	PLUG	PROPfen	TAPÓN
13	902892	4	GHIERA BLOCCAGGIO	FRETTE DE BLOCAGE	RING-NUT	KLEMMUTTER	ABRAZADERA BLOQUEO
14	TR0902	4	GIRANTE RISCIAQUO COMP.	BRAS DE RINÇAGE COMPL.	COMPL. RINSE ARM	SPÜLLSTIFT KOMPL.	RODETE ENJUAGUE COMP.
15	TR0003	24	GETTO RISCIAQUO	JET DE RINÇAGE	RINSING JET	SPÜLLDUSE	CHORRO ENJUAGUE
16	TR0997	4	GIRANTE LAVAGGIO COMP.	BRAS DE LAVAGE COMPL.	COMPL. WASH ARM	SPÜLLARM KOMPL.	RODETE LAVADO COMPL.
17	905382	1	RACCORDO A "T"	RACCORD	PIPE FITTING	ANSCHLUSSE	EMPALME
18	907350	5	TUBO GOMMA 12x22	TUYAU EN CAOUTCHOUC	RUBBER HOSE	GUMMISCHLAUCH	TUBO GOMA
19	902450	9	FASCETTA Ø 12÷24	COLLIER	CLAMP	SHELLE	ABRAZADERA
20	905407	2	RACCORDO RISCIAQUO	RACCORD DE RINÇAGE	RINSE PIPE FITTING	ANSCHLUSSE	EMPALME ENJUAGUE
21	904330	4	O-RING	O-RING	O-RING	O-RING	O-RING
22	907933	2	RACCORDO RISCIAQUO	RACCORD DE RINÇAGE	RINSE PIPE FITTING	ANSCHLUSSE	EMPALME ENJUAGUE
23	908121	8	RACCORDO CON OGIVA	RACCORD	PIPE FITTING	ANSCHLUSSE	EMPALME
24	903381	4	GUARNIZIONE	JOINT	GASKET	DICHTUNG	GUARNICIÓN
25	908888	4	TUBO Ø10x8 FORAFLON	TUYAU	PIPE	SCHLAUCH	TUBO
26	908120	4	RACCORDO A GOMITO	RACCORD	PIPE FITTING	ANSCHLUSS	EMPALME A CODO



Pos.	COD.	Q.tà	DESCRIZIONE	DENOMINATION	DESCRIPTION	BEZEICHNUNG	DESCRIPCIÓN
1	TR3658	1	CASSETTA ELETTRICA	BOITE ELECTRIQUE	CABINET	SCHALTKASTEN	CAJA ELÉCTRICA
2	TR3372	1	GUIDA PER CASSETTA ELETTRICA	RAIL POUR BOITE ELECTRIQUE	CABINET TRACK	FÜHRUNG SCHALTKASTEN	GUIA CAJA ELÉCTRICA
3	TR0300	2	RELÉ 24V	RELAIS	RELAY	RELAIS	RELÉ
4	TR0326	1	TIMER	TIMER	TIMER	TIMER	TIMER
5	955068	1	MORSETTO PA80	BORNE	TERMINAL	KLEMMLEISTE	GRAMPA
6	TR0410	1	TRASFORMATORE 160 V/A	TRANSFORMATEUR	TRANSFORMER	TRANSFORMATOR	TRASFORMADOR
7	TR0139	1	PRESSACAVO PG. 21	FIXAGE DU CABLE D'ALIM.	FIXING CABLE	KABELBEFESTIGER	PRESACAVO
8	904720	1	PASSACAVO	CHAUMARD	FAIRLEAD	KABELDURCHGANG	AISLADOR
9	904721	1	PASSACAVO	CHAUMARD	FAIRLEAD	KABELDURCHGANG	AISLADOR
10	904175	1	FERMA MORSETTO	ARRÊTÉE BORNE	TERMINAL BLOCK	KLEMMENBLOCK	BLOQUE GRAMPA
11	TR0222	1	INTERRUTTORE BIPOLARE 4A	INTERRUPTEUR 4A	SWITCH	DRUKKNOPF	INTERRUPTOR
12	TR0219	1	INTERRUTTORE UNIPOLARE 10A	INTERRUPTEUR 10A	SWITCH	DRUKKNOPF	INTERRUPTOR
13	904166	3	MORSETTO 1P	BORNE	TERMINAL	KLEMMLEISTE	GRAMPA
14	904163	1	MORSETTO TERRA	BORNE	TERMINAL	KLEMMLEISTE	GRAMPA
15	908969	1	MORSETTO 1P	BORNE	TERMINAL	KLEMMLEISTE	GRAMPA
16	TR0400	2	TERMICA 4/6 A	TERMIQUE	OVERLOAD RELAY	THERMOAUSLOSER	TERMICA
17	TR0386	1	TERMICA 1-1,6	TERMIQUE	OVERLOAD RELAY	THERMOAUSLOSER	TERMICA
18	907041	3	TELERUTTORE 9A	TELERUPTEUR	CONTACTOR	SCHUTZ	TELERRUPTOR
19	TR0373	2	TELERUTTORE 18A	TELERUPTEUR	CONTACTOR	SCHUTZ	TELERRUPTOR
20	906514	1	TARGA	PLAQUETTE	PLATE	SCHILD	PLACA
21	903631	1	LAMPADA SPIA ARANCIO	LAMPE	LAMP	KONTROLLAMPE	LÁMPARA
22	903634	1	LAMPADA SPIA VERDE	LAMPE	LAMP	KONTROLLAMPE	LÁMPARA
23	TR0310	1	SELETTORE 0 - 1	SELECTEUR 0 - 1	SELECTOR 0 - 1	WAHLSCHALTER	SELECCIONADOR
24	TR0850	1	SELETTORE 0 - 1 - 2	SELECTEUR 0 - 1 - 2	SELECTOR 0 - 1 - 2	WAHLSCHALTER	SELECCIONADOR
25	TR0284	1	PULSANTE LUMINOSO VERDE	BOUTON VERTE	GREEN PUSH BUTTON	GRUNE DRUCKTASTE	INTERRUPTOR LUZ VERDE
26	TR0402	2	TERMOMETRO DIGITALE	THERMOMETRE DIGITAL	DIGITAL THERMOMETER	DIGITAL THERMOMETER	TERMÓMETRO DIGITAL