



Kaffee  
Espressomaschinen

Artikel-Nr. 744001, 744002  
(71MAX642MANPL, 71MAX642PL)

---

**Explosionszeichnung**

---

## *Macinadosatore - Coffee grinder - Moulin a café - Kaffeemuhle*

**MAC-01**

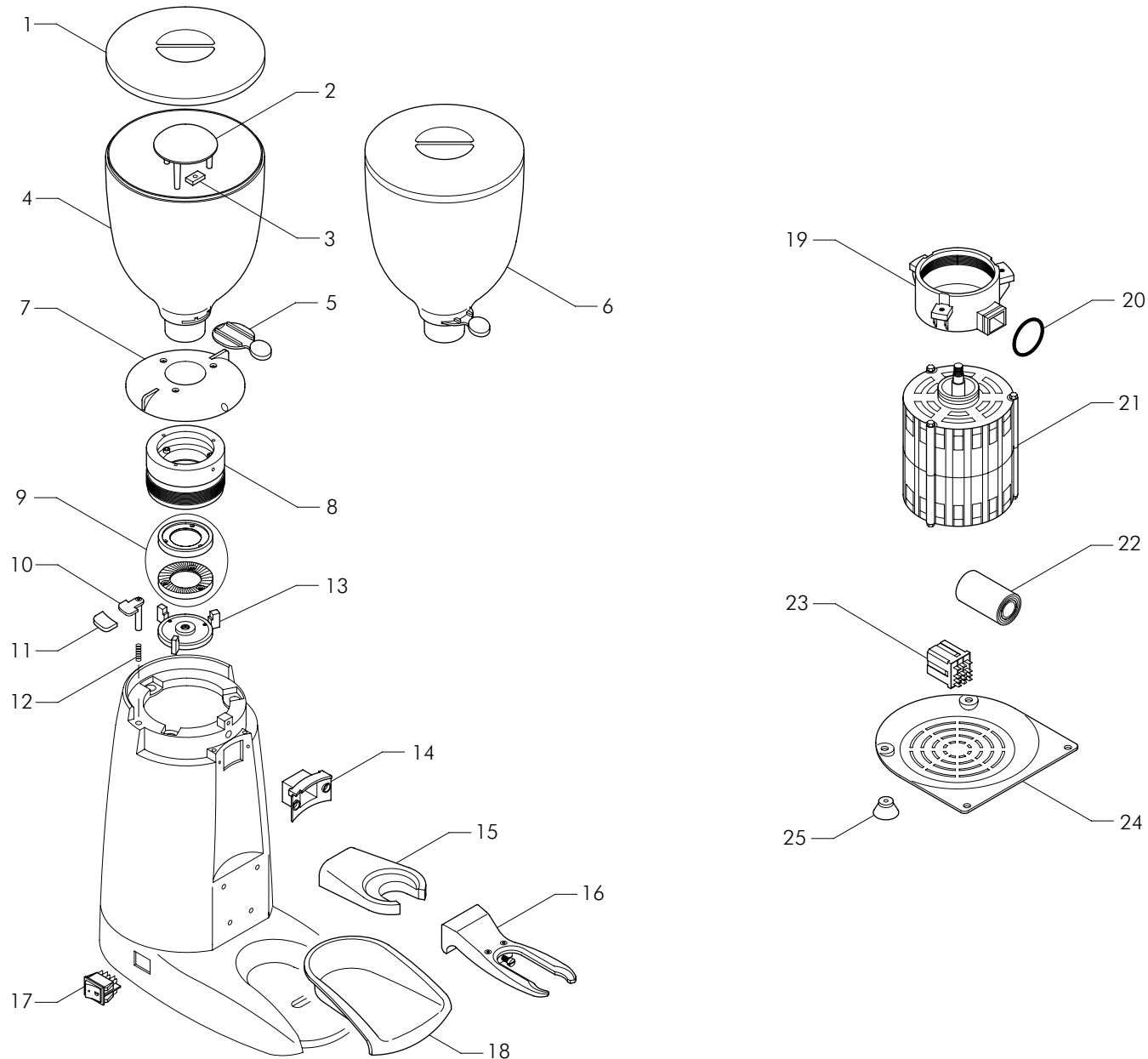
rev.00

MACININO - COFFEE GRINDER - MOULIN A CAFE - KAFFEEMUHLE

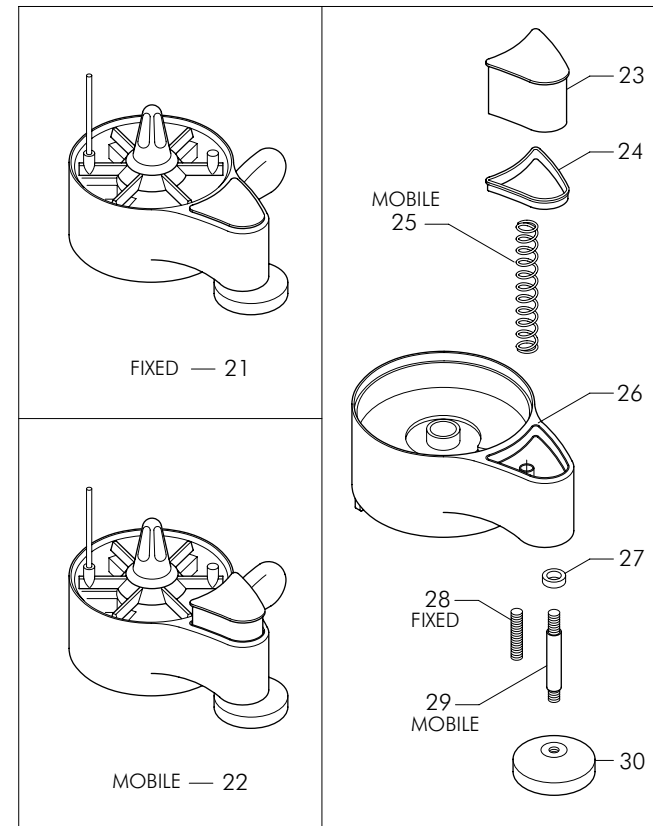
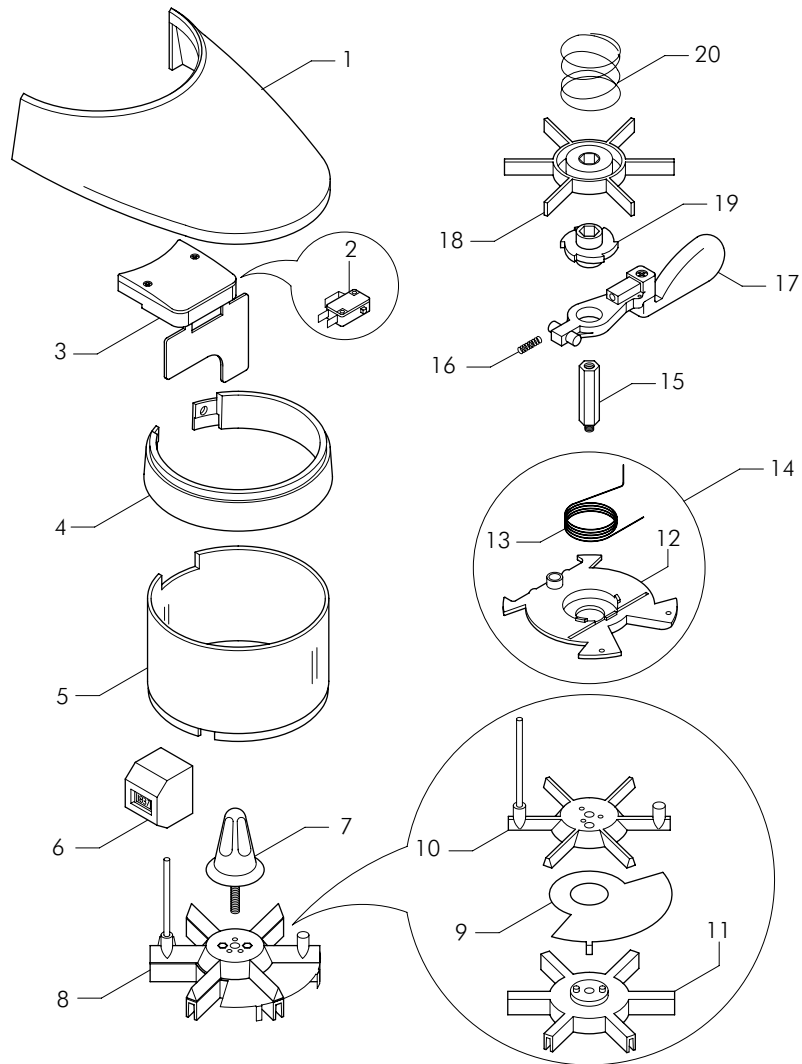
**MCA-02**

rev.00

DOSATORE - DOSER - DOSEUR - DOSIERANLAGE



Pos	Cod.	Denominazione - IT -	Denomination - GB -	Denomination - FR -	Denomination - DE -
1	WY28054002	COPERCHIO TRAMOGGIA K004 MAC.ASC	COFFEE GRINDER HOPPER	COUVERCLE TREMIE MOULIN	TRICHTERDECKEL DER KAFFEEMUHLE
2	WY28360013	PROTEZIONE MANI K006 MAC.ASC	ACCIDENT PREVENTION	PREVENTION DES ACCIDENTS	ARBEITSSCHUTZ
3	WY28206000	MAGNETE TRAMOGGIA K381 MAC.ASC	HOPPER MAGNETO	MAGNETO TREMIE	MAGNET FUR TRICHTER
4	WY28357	TRAMOGGIA K003 MAC.ASC	HOPPER K003 A.	TREMIE K003 A.	TRICHTER KAFFEEMUHLE ASC.K003
5	WY28326016	SERRANDA TRAMOGGIA K827 MAC.ASC 03	CLOSSING SHEET	TOLE DE FERMETURE	SCHLUSSBLECH
6	WY28357001	TRAMOGGIA COMPLETA K392 MAC.ASC	HOPPER COMPLETE FOR K392	TREMIE POUR MOULIN K392	TRICHTER KAFFEEMUHLE K392
7	WY28286006	REGOLATORE MACINATURA K007 MAC.ASC	GRINDING CONTROL RING NUT	EMBOUT REGULATION MOUTURE	ZWINGE FUR MAHLENREGELUNG
8	WY28360024	PORTAMACINE REGOL.64D K808 MAC.ASC 03	CONTROL GRINTONES HOLDER	PORTE-MEULES REGUL.	MUHLEHALTER REGUL.
9	WY28217000	MACINE 65D COPPIA K099 MAC.ASC	GRINDSTONES 65D COUPLE	MEULES 65D COUPLE	MUHLE 65D PAAR
9	WY28217004	MACINE TITANIO COPPIA K6 D-64 K218	TITANIUM GRINDSTONES COUPLE	MEULE TITANIUM COUPLE	TITANIUM MUHLE PAAR
9	WY28217005	MACINE 80D COPPIA K247 MAC.ASC.	GRINDSTONES 80D COUPLE	MEULE 80D COUPLE	MUHLE 80D PAAR
10	WY28126012	SICURA REGOLAZIONE K629 MAC.ASC	UNION-FIXING PIN	PIVOT FERME-GOULOTTE	ZAPPEN FUR STUTZENHALTER
11	WY28126013	CUSTODIA SICURA REGOLAZIONE K630 MAC.ASC	COFFEE GRINDER CASE	BOITE X MOULIN	KASTEN X KAFFEEMUHLE
12	WY28219006	MOLLA DI SICUREZZA ZN K058 MAC.ASC	SPRING SAFETY	RESSORT SECURITE	FEDER BETRIEBSSICHERHEIT
13	WY28360009	PORTAMACINE 65D K014 MAC.ASC	GRINDSTONES HOLDER	PORTE-MEULES	MUHLEHALTER
14	WY28022001	BOCCHETTONE K635 MAC.ASC	CAFFEE GRINDER UNION	GOULOTTE MOULIN	STUTZEN FUR KAFFEEMUHLE
15	WY28126011	FORCELLA CORTA K815 MAC.ASC	COFFEE GRINDER FORK K815	FOURCHETTE X MOULIN K815	GABEL X KAFFEEMUHLE K815
16	WY28126006	FORCELLA LUNGA K015 MAC.ASC	COFFEE GRINDER LONG FORK K015	FOURCHETTE X MOULIN LONG	GABEL LANG X KAFFEEMUHLE
17	WY28165003	INTERRUTTORE BIP. NERO K069 MAC.ASC	COFFEE GRINDER SWITCH	INTERRUPTEUR MOULIN	SCHALTER KAFFEEMUHLE
18	WY28400010	VASCHETTA RECUPERO CAFFE'VERS.03 K803 MA	COFFEE GROUNDS TROUGH	RAMASSEUR CAFE	SCHUSSEL ANSAMMLUNG KAFFEE
19	WY28326018	SEDE MACINE 65D K805 MAC.ASC	SEATING GRINDSTONE	SIEGE MEULE	SITZ MUHLE
20	WY28159305	GUARNIZIONE OR K103 MAC.ASC	O RING K103	JOINT OR K103	OR DICHTUNG K103
21	WY28247001	MOTORE 230V K130 MAC.ASC	MOTOR 230V	MOTEUR 230V	MOTOR 230V
21	WY28247002	MOTORE 110V K125 MAC.ASC	MOTOR 110V	MOTEUR 110V	MOTOR 110V
22	WY19050	CONDENSATORE MOTORE 220V 10MF	MOTOR CAPACITOR 220V 10MF	CONDENSATEUR MOTEUR 220V 10MF	MOTORKONDENSATOR 220V 10MF
22	WY19051	CONDENSATORE MOTORE 110V 20MF	MOTOR CAPACITOR 110V 20MF	CONDENSATEUR MOTEUR 110V 20MF	MOTORKONDENSATOR 110V 20MF
23	WY28286002	RELAIS ARR.AUT.220V K131 MAC.ASC	RELAIS FOR COFFEE GRINDER 220V	RELAIS POUR MOULIN 220V	RELAIS FUR KAFFEEMUHLE 220V
23	WY28286005	RELAIS ARR.AUT.110V K111 MAC.ASC	RELAIS FOR COFFEE GRINDER 110V	RELAIS POUR MOULIN 110V	RELAIS FUR KAFFEEMUHLE 110V
24	WY28360025	PROTEZIONE INFERIORE K802 MAC.ASC. 03	LOWER PROTECTION	PROTECTION INFERIEUR	SCHUTZVORRICHTUNG TIEFER
25	WY28360015	PIEDINO GOMMA K022	BEARING FOOT	PIED DE SUPPORT	STUTZFUSS



Pos	Cod.	Denominazione - IT -	Denomination - GB -	Denomination - FR -	Denomination - DE -
1	WY28054012	COPERCHIO DOSATORE K804 MAC.ASC 03	COFFEE GRINDER DOSER	COUVERCLE DOSEUR MOULIN	DOSIERANLAGEDECKEL FUR KAFFEEMUHLE
2	WY28165001	MICROINTERRUTTORE K733 MAC.ASC	MICROSWITCH K733	MICRO-INTERRUPTEUR K733	MIKROSCHALTER K733
3	WY28002007	ASSIEME ARRESTO AUTOM. K732 MAC.ASC	ENSEMBLE AUTOM.ARREST	ENSEMBLE ARRÊT AUTOMATIQUE	SATZ AUTOM.SPERR
4	WY28002012	ANELLO CROM.X DOS.K6 K221 MAC.ASC	CHROME RING FOR K6 DOSER K221	BAGUE CROME K221	CHROM RING K221
5	WY28286001	RECIPIENTE DOSATORE K030 MAC.AS	CONTAINER DOSER K030 C.G.A	RECIPIENT POUR DOSEUR K030 MA	BEHALTER DOSIERANLAGE K030
6	WY28070005	CONTACOLPI K6 K678 MAC.ASC 03	COFFEE GRINDER COUNTER	COMPTE-COUPS MOULIN	KAFFEEZÄHLER K6 K678
7	WY28286003	REGOLAZIONE DOSATORE K044 MAC.ASC	CONTROL GRINDER DOSER	REGULATEUR DOSEUR MOULIN	REGULATOR DOSIERANLAGE
8	WY28002015	ASS.DOSATURA K-703 MAC.ASC 03	SHAFT STAR	PIVOT ETOILE	WELLE STERN
9	WY28190001	LAMIERINO TAGLIADOSE K719	DOSING SECTOR FOR COFFEE GRINDER	SECTEUR POUR MOULIN DOSEUR	SCHEIDEWAND FUR KAFFEEMUHLE
10	WY28326017	STELLA DOSATORE K652 MAC.ASC	COFFEE GRINDER CONTROL STAR	ETOILE REGUL.MOULIN	KAFFEEMUHLE REGELUNG STERN
11	WY28326015	STELLA SUP.DOSATORE K651 MAC.ASC 03	COFFEE GRINDER UPPER STAR	ETOILE SUPERIEURE MOULIN	KAFFEEMUHLE STERN
12	WY28360026	PLASTICA INF. DOSATORE K504 MAC.ASC	LOWER PROTECTION	PROTECTION INFERIEUR	SCHUTZVORRICHTUNG TIEFER
13	WY28360027	MOLLA TORSIONE RITORNO LEVA K618	SPRING TORSION K618	RESSORT TORSION K618	STERN VERWINDUNG K618
14	WY28360020	KIT MOLLA RITORNO K621	RETURN SPRING	RESSORT RETOUR	FEDER RUCKLAUF
15	WY28002014	ALBERO SUPPORTO STELLA K647 MAC.ASC 03	SHAFT STAR	PIVOT ETOILE	WELLE STERN
16	WY28219012	MOLLA PERNO K662 MAC.ASC 03	SPRING PIN	RESSORT GOUJON	FEDER ZAPFEN
17	WY28196004	LEVA DOSATORE DX K646 MAC.ASC 03	RIGHT LEVER X GRINDER DOSER	LEVIER DROIT X DOSEUR	RECHTE HABEL X K.MUHLEDOSIERANLAGE
18	WY28326014	STELLA INF. DOSATORE K649 MAC.ASC 03	COFFEE GRINDER LOWER STAR	ETOILE INFERIEURE MOULIN	KAFFEEMUHLE STERN K649
19	WY28159306	CRICCHETTO K648 MAC.ASC 03	RATCHE K648	ENGRENAGE K648	SPERRKLINKE K648
20	WY28219008	MOLLA X STELLA K062 MAC.ASC	SPRING FOR STAR	RESSORT X ETOILE	FEDER X STERN
21	WY28102002	DOSATORE COMPLETO DESTRO FISSO K588	COFFEE GRINDER DOSER FIXED K588	DOSEUR COMPLET DX FIXE K588	DOSIERANLAGE FEST KAFFEEMUHLE K588
22	WY28102003	DOSATORE COMPLETO DX MOBILE K589	COFFEE GRINDER DOSER MOBILE K589	DOSEUR COMPLET DX MOBILE K589	DOSIERANLAGE BEWEGLICH KAFFEEMUHLE K589
23	WY28360001	PRESSINO K506	C.GRINDER COFFEE STAMPER	PRESSE-CAFE MOULIN	KAFFEEPRESSER MUEHLE K506
24	WY28360022	GHIERA PRESSINO K505 H=11	RING NUT STAMPER K505	EMBOUT PRESSE-CAFE K505	ZWINGE KAFFEEPRESSE K505
25	WY28360003	MOLLA PRESSINO K509	SPRING STAMPER K509	RESSORT PRESSE-CAFE K509	FEDER KAFFEEPRESSE K509
26	WY28070006	CORPO DOSATORE K658	BODY GRINDER DOSER K658	CORPS DOSEUR MOULIN K658	GRUPPE KAFFEEMUHLE ZÄHLER K658
27	WY28360004	GOMMINO DI ARRESTO K513	RUBBER K513	JOINT GOMME K513	GUMMI K513
28	WY28360005	PERNO PRESSINO K508	PIN K508	GOUJON K508	ZAPFEN K508
29	WY28360019	PERNO TELESCOPICO K507	TELESCOPIC PIN K507	GOUJON TELESCOPIQUE K507	TELESKOP ZAPFEN K507
30	WY28360021	TAMPONE INFERIORE PRESSINO K166	UNDER STAMPER K166	PRESSE-CAFE INFERIEURE K166	KAFFEEPRESSE UNTEN